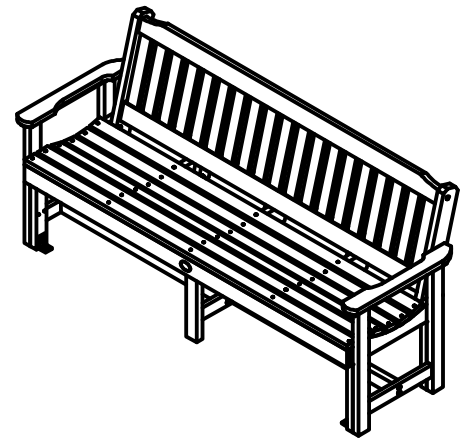


6' Commercial Grade Garden Bench

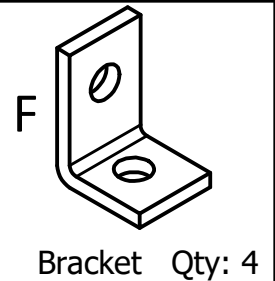
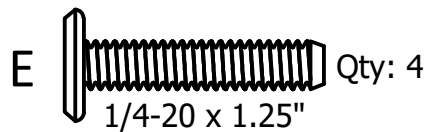
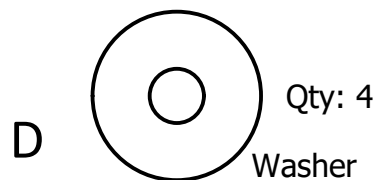
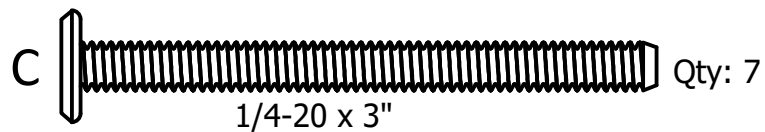
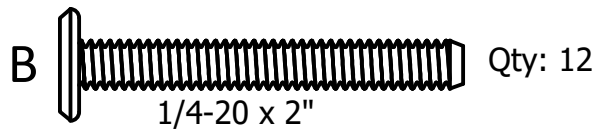
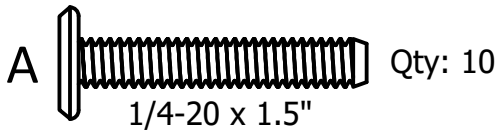
Assembly Guide



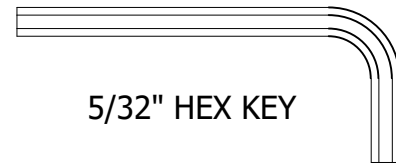
*Actual Style May Vary from the One Pictured in this Guide

BENSQ62

HARDWARE INCLUDED



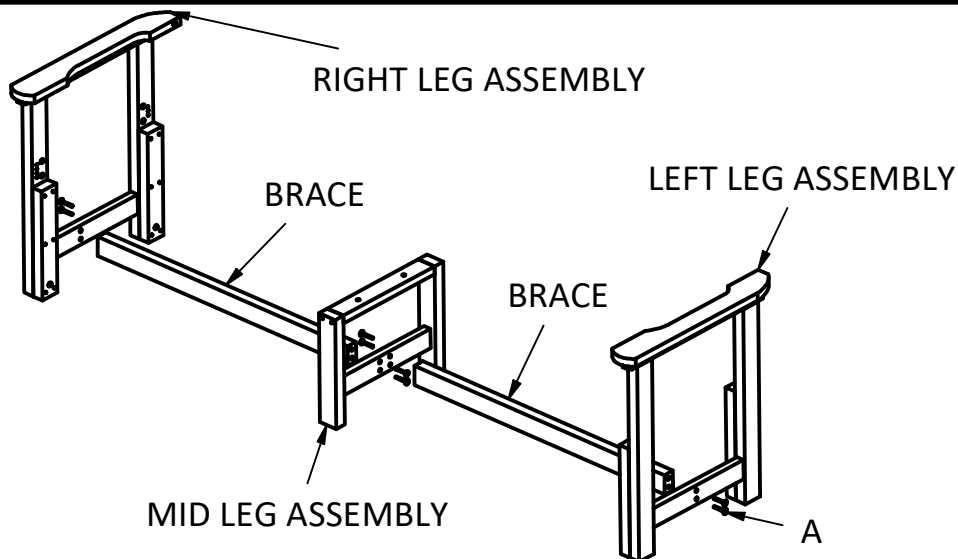
TOOLS INCLUDED



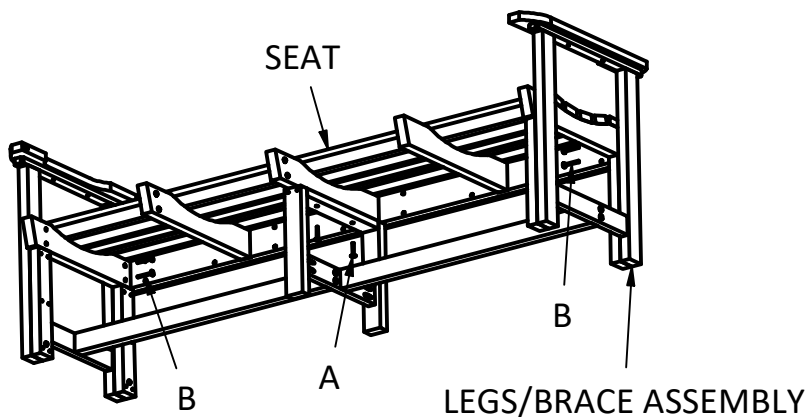
5/32" HEX KEY

IMPORTANT!

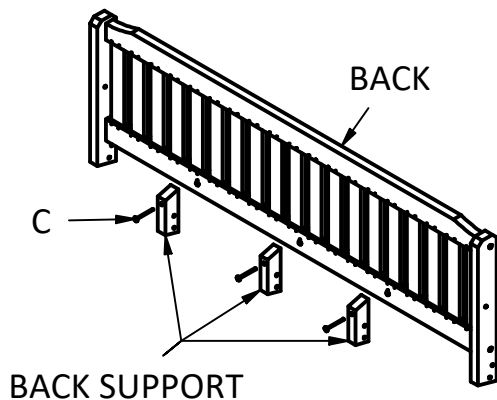
DO NOT fully tighten bolts until all bolts are started.



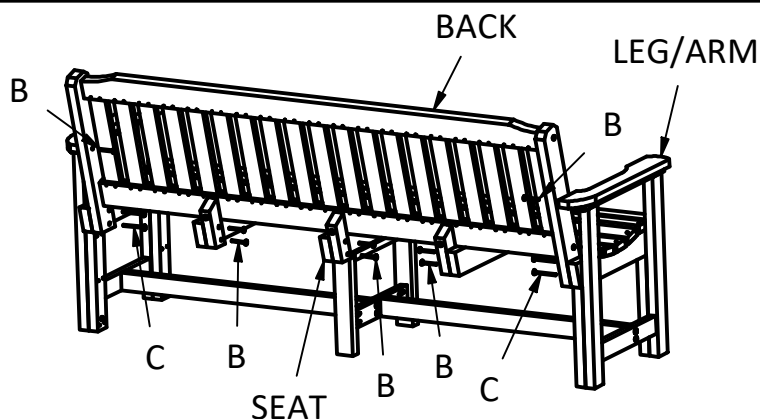
1) Attach Braces to Leg Assemblies using (8) A Bolts.



2) Attach Seat to Legs/Brace Assembly using (2) A Bolts and (4) B Bolts as shown.

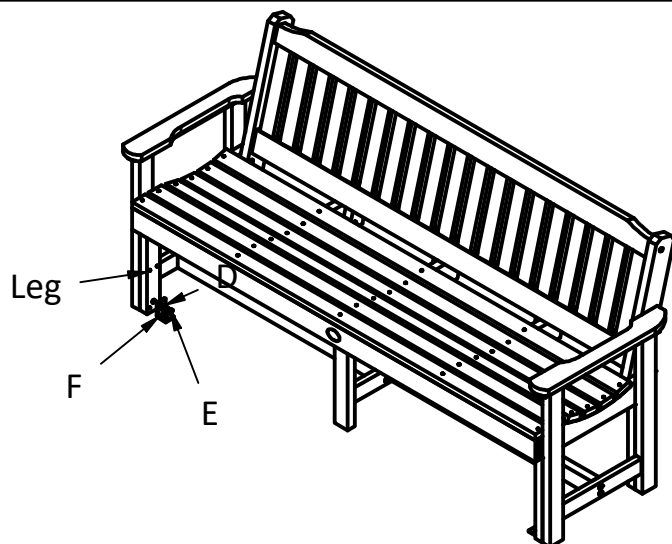


3) Attach Back Supports to Back using (1) C Bolt for each Back Support as shown.



4) Attach Back to Arms using (1) B Bolt on each side as shown.

5) Attach Back to Seat using (6) B Bolts and (4) C Bolts as shown.



Optional Step for Mounting to Hard Surface

6) Attach the (F) Bracket to the inside of the Leg with 1 (D) Washer and 1 (E) Bolt.

7) Repeat step 6 for the remaining brackets.

Note: Ground Anchors Not Included