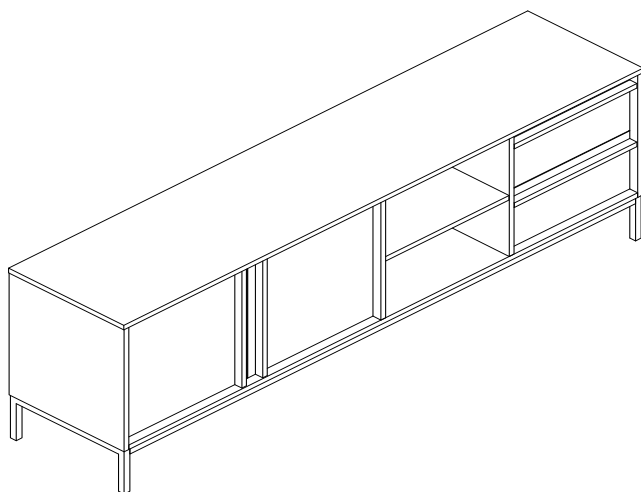


TV Sideboard

ASSEMBLY GUIDE



Important - Please read these instructions fully before starting assembly



SAFETY AND CARE ADVICE



NO POWER TOOLS

SAFETY AND CARE ADVICE

- Check you have all the components and tools listed.
- Remove all fittings from the plastic bags and separate them into their groups.
- We do not recommend the use of power drills/drivers for inserting screws, as this could damage the unit. Only use hand screwdrivers and Allen keys.
- Keep children and animals away from the work area, small parts could cause choking if swallowed.
- Make sure you have enough space to lay out the parts before starting.
- Assemble the item as close to its final position (in the same room) as possible.
- Do not overtighten the nuts to avoid causing damage to the threads.
- Only clean using a damp cloth and mild detergent, do not use bleach or abrasive cleaners.
- From time to time check that there are no loose screws on this unit.
- This product should not be discarded with household waste. Take to your local authority waste disposal centre.

IMPORTANT INFORMATION



30 MINUTE
BUILD

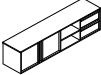
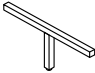
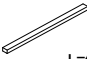
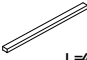

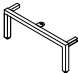


TWO
PERSON



MAXIMUM
CAPACITY 80Kg

PLEASE CHECK CAREFULLY AND MAKE SURE YOU HAVE ALL FITTINGS AND TOOLS LISTED BELOW BEFORE YOU START.

DESCRIPTION	PART NAME	Q'ty(PCS)
①		1
②		1
③	 L=423MM	2
④	 L=406MM	2
⑤		2
⑥		2

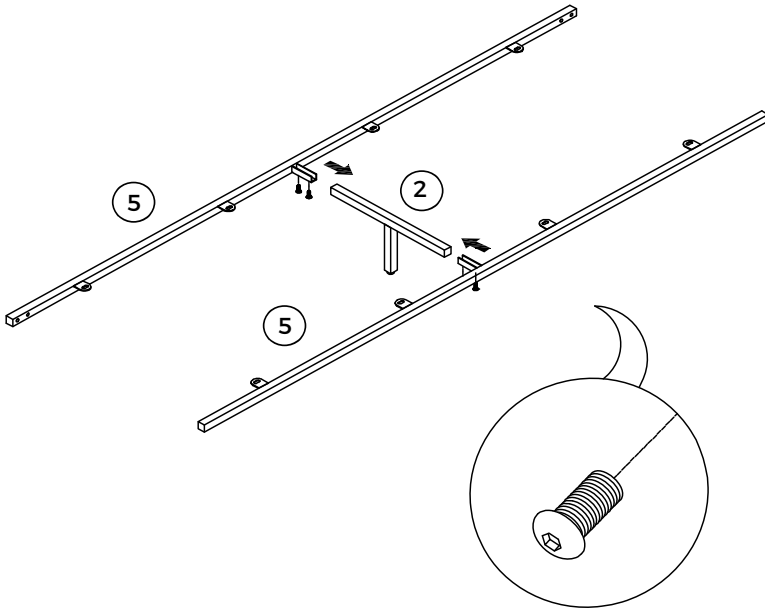
Parts for Leg Assembly

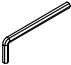
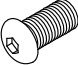
A		BOLT M6*12MM	10 PCS
B		BOLT M6*16MM	12 PCS
C		ALLEN KEY BOLT	1 PC
D		M4*20MM	12 PCS

NOTE: The quantities above are the correct amount to complete the assembly. In some cases more fittings may be supplied than are required.

STEP 1

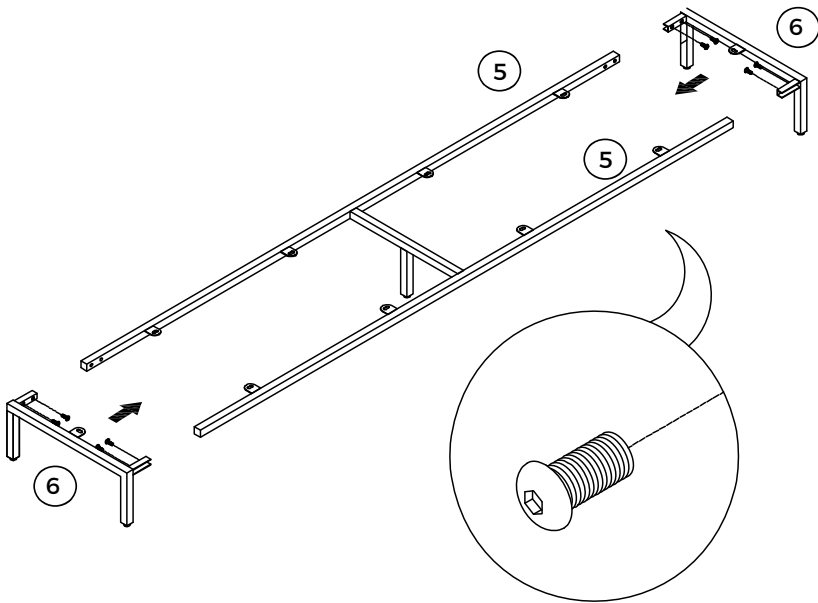
Use a clean, flat, soft surface to avoid any bumps or scratches.
Attach center leg [2] between 2 x long support tubes [5] using 4 x bolts [B].
Tighten bolts [B] with Allen Key [C].


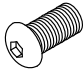


					
C	4#	1pc	B	M6x16	4pcs

STEP 2

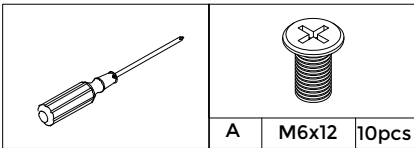
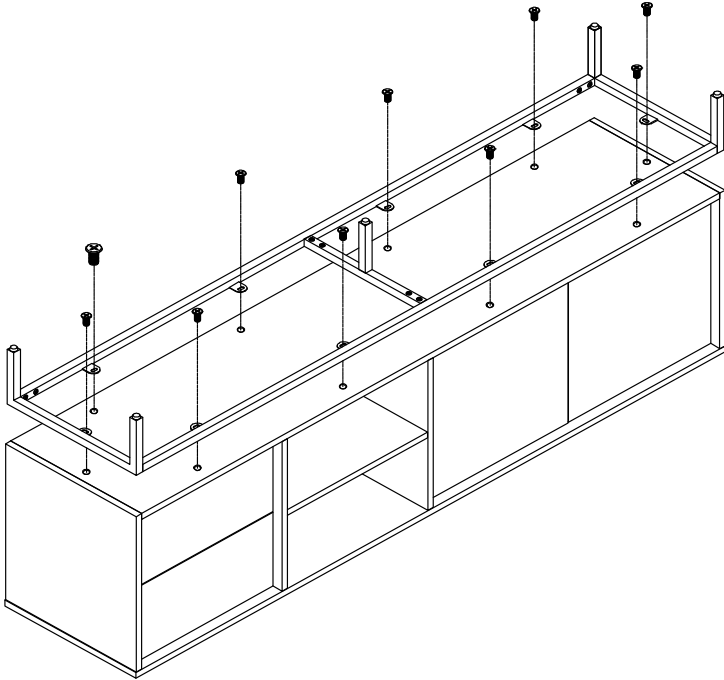
Attach 2 x legs [6] to the ends of support tubes using 8 x bolts [B].
Tighten bolts [B] with Allen Key [C].



					
C	4#	1pc	B	M6x16	8pcs

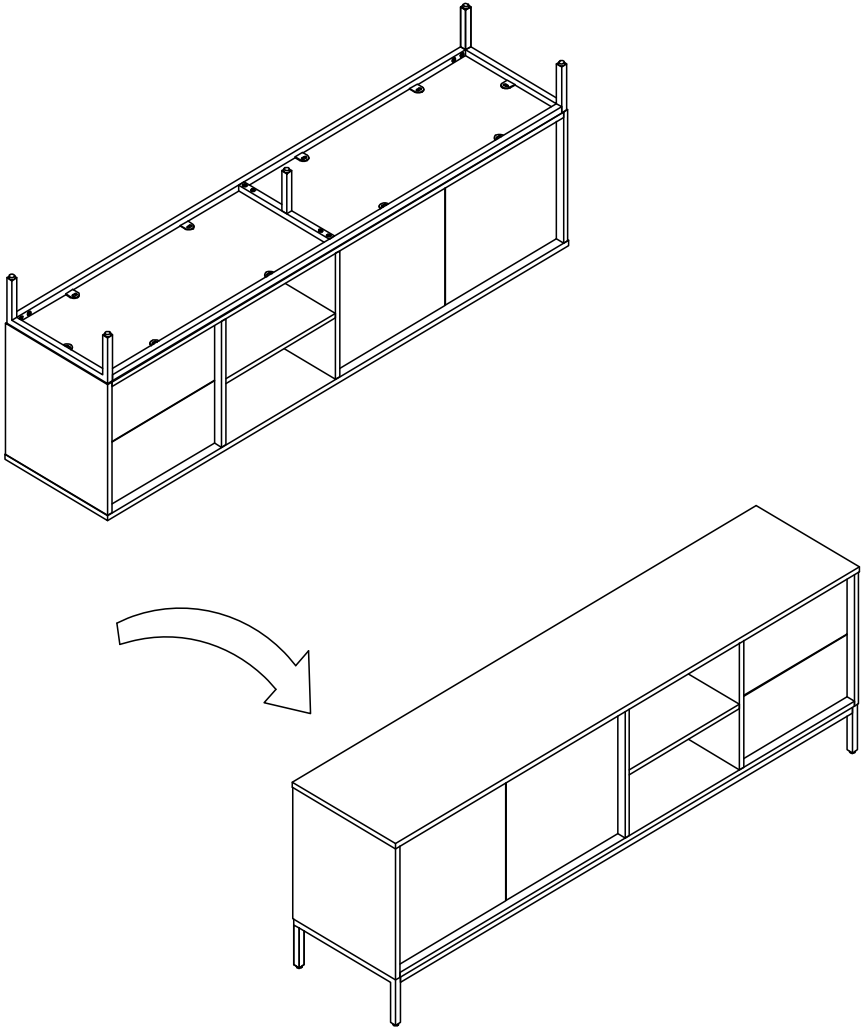
STEP 3

Carefully unpack and place your sideboard upside down on a soft surface. Attach the leg frame onto the bottom of the sideboard with 10 x bolts [A]. Fully tighten all Bolts using a screwdriver



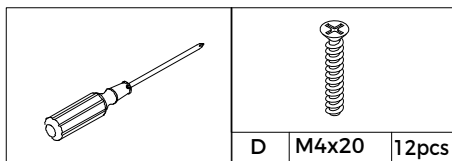
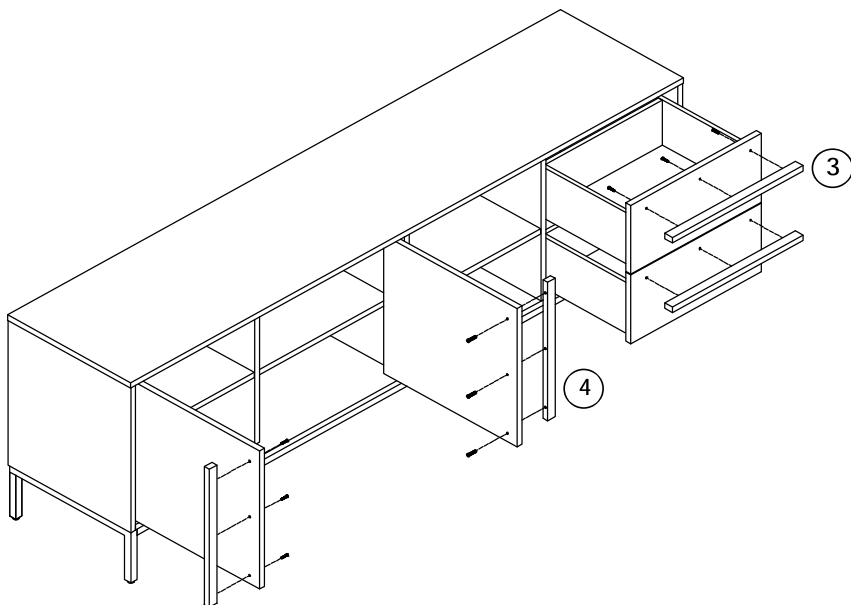
STEP 4

Carefully, and with help, stand the sideboard on its legs.



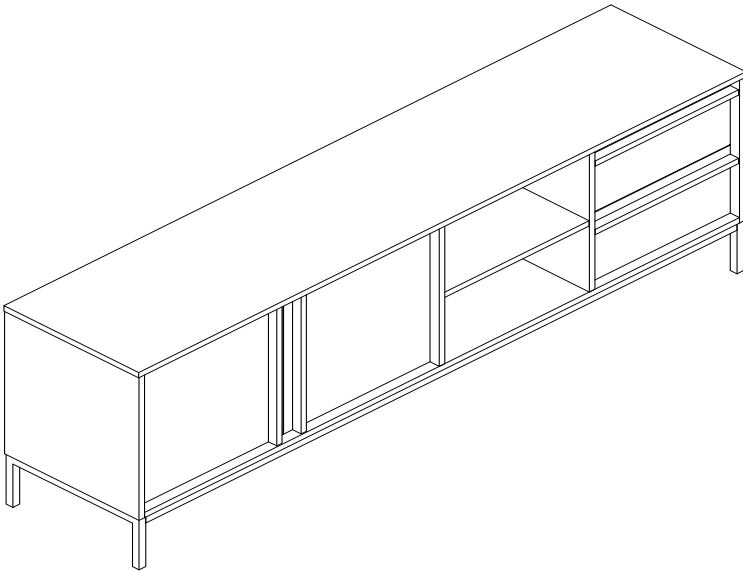
STEP 5

Attach 2x handle [3] to the drawer front with 6 x bolts [D] using a screwdriver.
Attach 1x handle [4] to each door with 3 x bolts [D] using a screwdriver.



STEP 6

Your TV sideboard is now complete.





OUR 2 YEAR GUARANTEE

our products come with a 2 year guarantee to give you peace of mind shopping

some garden furniture items have a 1 year guarantee



WHAT THE GUARANTEE COVERS



PRE-INSERTED FIXINGS
e.g. loose metal threads



FAULTY JOINTS
e.g. legs bending



EXTERNAL FIXING FAULTS
e.g. metal discs removing from table top



STRUCTURAL INTEGRITY
e.g. the frame of the product