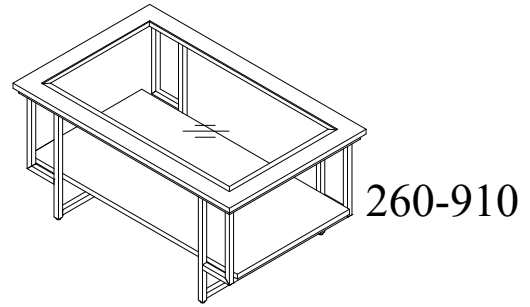


# ASSEMBLY INSTRUCTIONS



## TOOLS REQUIRED:

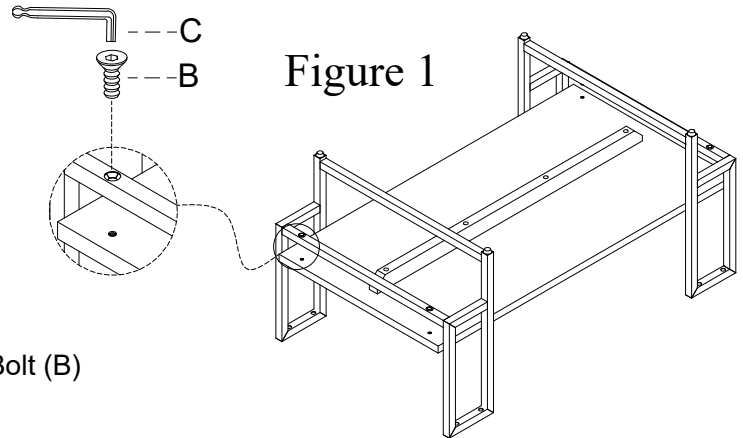
Allen Wrench (Provided, Part C)

## BEFORE YOU START:

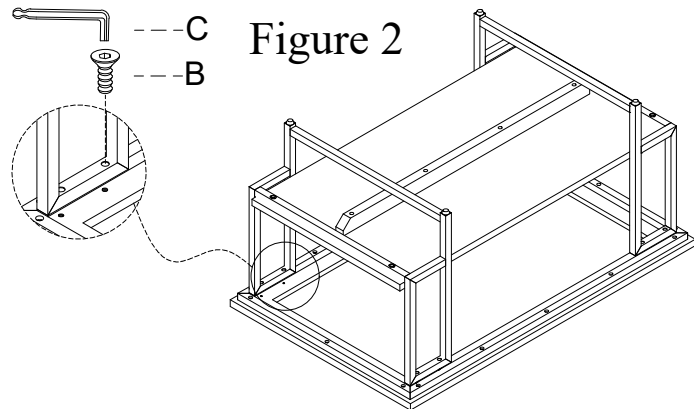
1. Check the parts against the parts list to make sure all items are present.
2. Assemble your furniture on a soft, flat surface to avoid scratching the finish.
3. **CAUTION:** Do not over tighten screws, nuts or bolts during assembly.
4. Your furniture may require occasional tightening.

## INSTRUCTIONS:

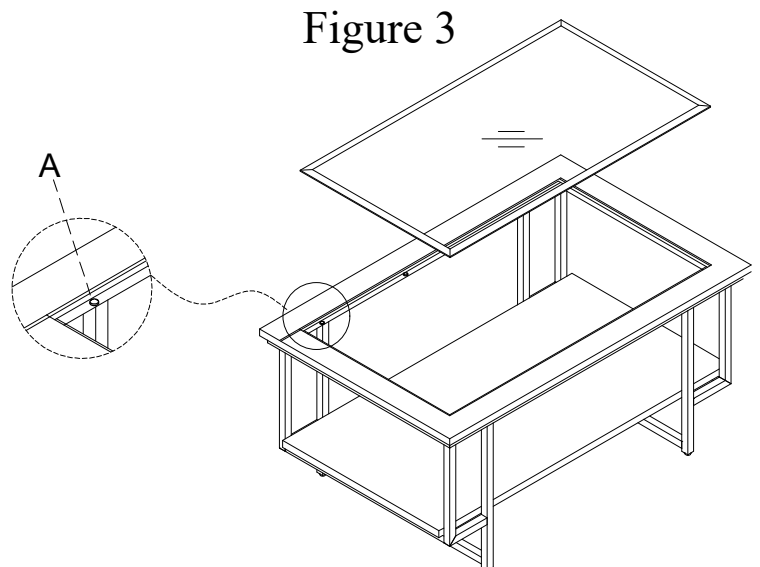
1. Attach the bottom panel to the iron frame using Countersink Bolt (B) and the Allen Wrench (C). As Shown in Figure 1




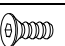

2. Turn the table top upside down on to a clean soft surface. Attach the iron leg frame and shelf panel to the table top using Countersink Bolt (B) and the Allen Wrench (C). As Shown in Figure 2.



3. Turn the table upright. Attach glass top to the top frame using Clear bumper (A). As Shown in Figure 3.



## HARDWARE LIST

NO.	Drawing	Description	Q'TY
A		Clear bumper (Ø8*1.5mm)	6 pcs
B		Countersink Bolt (Ø1/4"*Ø12*30mm)	14 pcs
C		Allen Wrench (110*60*4mm)	1 pc