

### Features

- 60" (1524 mm) x 32" (813 mm) x 15-1/2" (394 mm)
- Constructed of KOHLER® Cast Iron.
- 15" apron height for easy entrance and exit.
- Safeguard® slip-resistant surface on bath floor provides additional traction underfoot.
- Integral apron.
- Integral lumbar support.

### Material

- Cast iron with Safeguard® finish.

### Installation

- Alcove.
- Integral flange.

### Required Products/Accessories

K-37383 Rough-in cable bath drain, PVC, 30" cable with tubing

or

K-7259 Brass toe tap bath drain

### Recommended Products/Accessories

K-952 Wall-mount Non-diverter Bath Spout  
K-14426 35° Bath spout  
K-14427 90° Bath spout  
K-15137 Wall-mount Non-diverter Bath Spout  
K-15138 Wall-mount Diverter Bath Spout  
K-16246 Wall-mount Non-diverter Bath Spout  
K-330  
K-1601 Bath/whirlpool footstop, removable  
K-37380 30" Rough-in Cable Bath Drain  
K-702200-G73 Frameless Sliding Bath Door  
K-702200-L Frameless Sliding Bath Door  
K-706000-D3 Frameless Sliding Bath Door  
K-706000-L Frameless Sliding Bath Door  
K-706003-L Frameless Sliding Bath Door  
K-706004-D3 Frameless Sliding Bath Door  
K-706004-L Frameless Sliding Bath Door  
K-706007-L Frameless Sliding Bath Door  
K-23726 Drain treatment  
K-23725 Cast iron cleaner  
K-702200-6L Frameless sliding bath door



ADA

### Codes/Standards

ASME A112.19.1/CSA B45.2  
ASTM F462  
ADA  
ICC/ANSI A117.1






### KOHLER® Enameled Cast Iron Bath and Shower Base Lifetime Limited Warranty

See website for detailed warranty information.

### Available Colors/Finishes

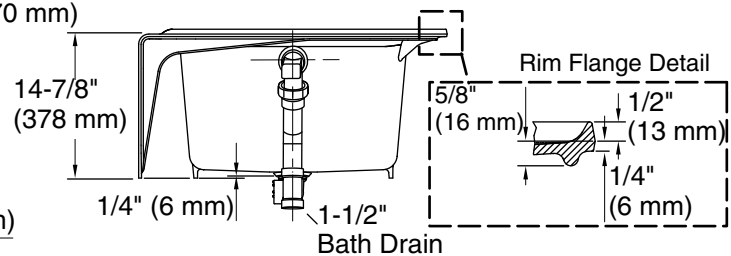
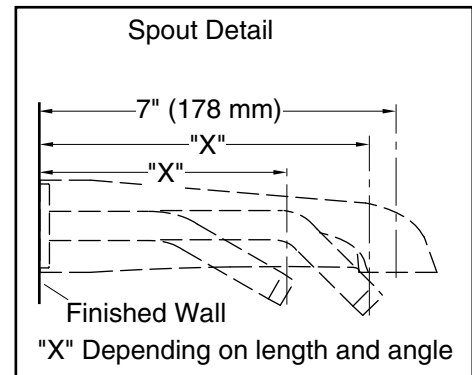
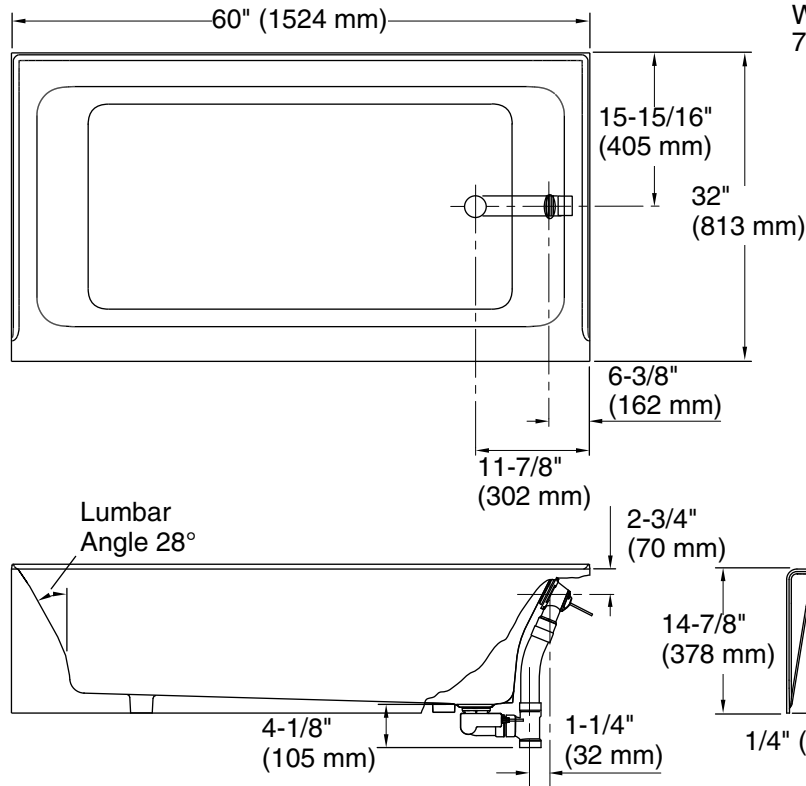
*Color tiles intended for reference only.*

Color	Code	Description
-------	------	-------------

	0	White
	96	Biscuit
	47	Almond
	NY	Dune
	G9	Sandbar

No change in measurements if connected with drain illustrated. (K-37383)

Note: To clear the bath rim end wall, a minimum 7" (178 mm) bath spout is recommended. Water flow from angled bath spouts less than 7" (178 mm) may also provide needed clearance.



### Technical Information

All product dimensions are nominal.

Installation:	Three-wall alcove
Drain location:	Right
Basin area, bottom:	43-7/8" x 21" (1114 mm x 533 mm)
Basin area, top:	51-1/4" x 23-5/16" (1302 mm x 592 mm)
Weight:	327 lbs (148.3 kg)
Minimum floor load:	52 lbs/ft <sup>2</sup> (253.9 kg/m <sup>2</sup> )
Water depth:	11-5/16" (287 mm)
Water capacity:	44 gal (166.6 L)
Minimum flat for door:	2-5/16" (59 mm)

### Notes

Measure your actual product for rough-in details.

Install this product according to the installation instructions.

The hot water supply should be 70% of the capacity of the bath or greater. Installations will vary.

ADA compliant when installed to the specific requirements of these regulations.