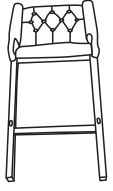

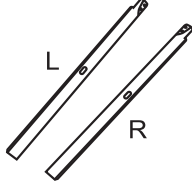
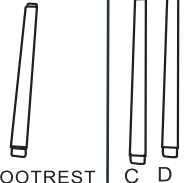

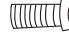





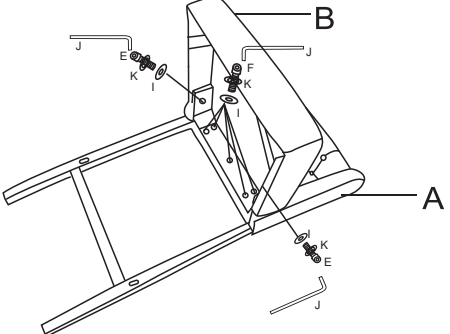


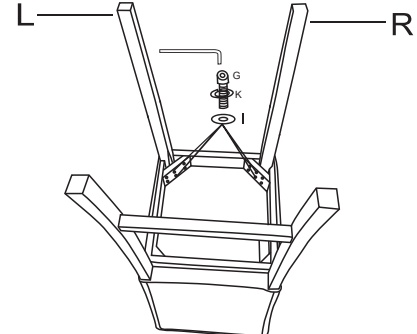
	Ax1 BACK	Bx1 SEAT	Cx2 FRONT LEGS	Dx3 SIDE STRETCHERS-CD FOOTREST	Ex2 SCREWS	Fx5 SCREWS	Gx4 SCREWS	Hx6 TAPPING SCREWS	Ix11 WASHER	Jx1 SPANNER	Kx11 SPRING WASHER
											
					M8X40mm	M8X50mm	M8X60mm	M4.5x45mm			

**STEP1**



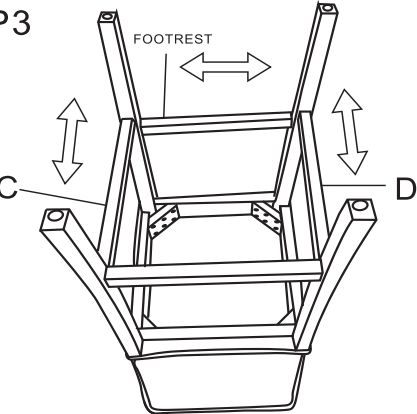
Loosely install the center bolt first, then loosely install both sides

**STEP2**



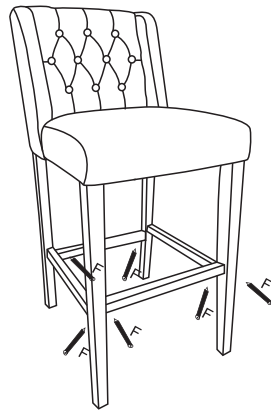
Firm pressure is required to push legs into the leg pockets

**STEP3**



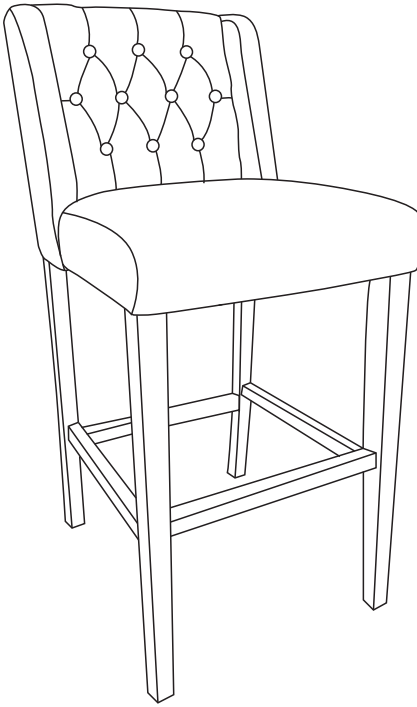
Note: Side stretchers are directional

**STEP4**



Tighten all bolts properly on even ground

**ASSEMBLY INSTRUCTION**



CLEANING OF PU/LEATHER COVER - WIPE CLEAN WITH A SOFT CLOTH MOISTENED WITH WATER AND NEUTRAL DETERGENT. DO NOT USE BLEACH,CHEMICAL OR BIOLOGICAL CLEANERS.