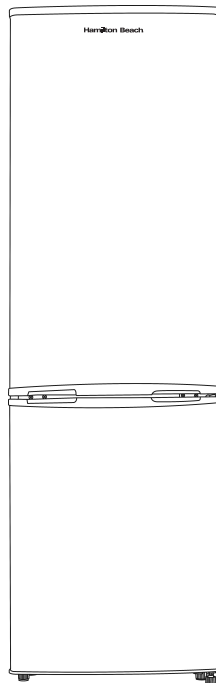


132x192mm

Hamilton Beach®

**REFRIGERATOR
FREEZER**

**9.0^{CU FT}
254^L**



USER MANUAL

HBFR9004

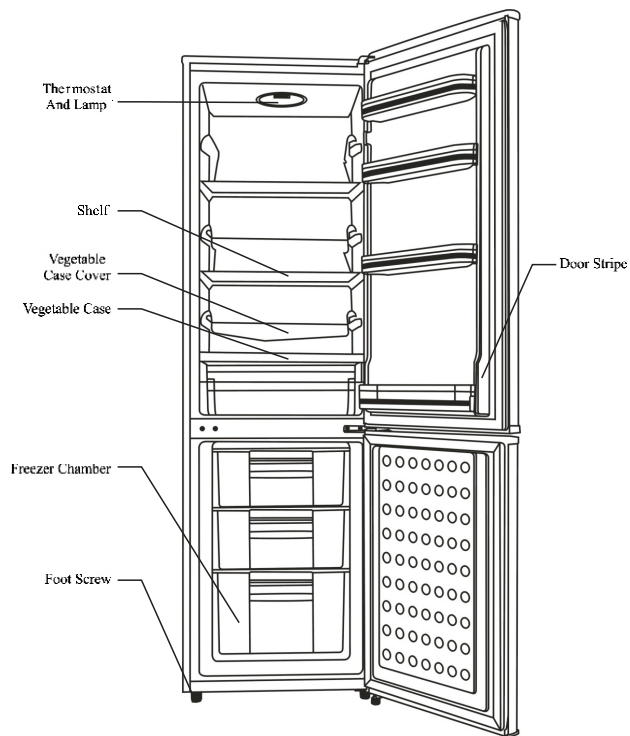
Hamilton Beach® is a registered trademark of Hamilton Beach Brands, Inc. used under license by Curtis International Ltd.

TABLE OF CONTENTS

NAMES OF THE PARTS.....	2
IMPORTANT SAFETY INSTRUCTIONS.....	3
INSTALLATION INSTRUCTION	
BEFORE USING YOUR REFRIGERATOR	4
INSTALLING YOUR REFRIGERATOR	4
ELECTRICAL CONNECTION.....	5
OPERATING YOUR REFRIGERATOR	
TEMPERATURE CONTROL.....	6
ICE TRAY.....	6
THE FREEZER COMPARTMENT.....	6
WHEN TO DEFROST	6
HOW TO DEFROST	7
HOW TO CHANGE THE INTERIOR LIGHT.....	7
CHANGING THE REVERSIBLE DOOR	8
CARE AND MAINTENANCE	
CLEANING YOUR REFRIGERATOR.....	9
VACATION TIME.....	9
MOVING YOUR REFRIGERATOR.....	9
ENERGY SAVING TIPS.....	9
TROUBLESHOOTING GUIDE.....	10
1 YEAR WARRANTY.....	12
PRODUCT SPECIFICATIONS.....	13

NAMES OF THE PARTS

MODEL NO. HBFR9004



⚡WARNING⚡ : Never touch the interior of the Freezer Chamber or frozen foods in the compartment with wet hands as this could result in frost bite.

IMPORTANT SAFETY INSTRUCTIONS



To reduce the risk of fire, electrical shock, or injury follow these basic precautions when using your refrigerator.

- 1) **WARNING**-----Keep ventilation openings, in the appliance enclosure or in the built-in structure, clear of obstruction.
- 2) **WARNING**-----Do not use mechanical devices or other means to accelerate the defrosting process, other than those recommended by the manufacturer.
- 3) **WARNING**-----Do not damage the refrigerant tubing to increase the risk of a leak when handle, move and use of refrigerator.
- 4) **WARNING**-----Do not use electrical appliances inside the food storage compartments of the appliances, unless they are of the type recommended by the manufacturer.
- 5) **WARNING**-----**DANGER**: Never allow children to play with, operate, or crawl inside the refrigerator. Risk of child entrapment. Before you throw away your old refrigerator or freezer:
 - Take off the doors
 - Leave the shelves in place so that children may not easily climb inside.
- 6) The appliance has to be unplugged before carrying out user maintenance on the appliance.
- 7) This appliance can be used by children age 8 years and above and persons with reduced physical sensory or mental capabilities or lack of experience and knowledge if they have been given supervision or instruction concerning use of the appliance in a safe way and understand the hazards involved. Children should not play with the appliance. Cleaning and maintenance should not be made by children without supervision.
- 8) If the component part is damaged, it must be replaced by the manufacturer, its service agent or similar qualified persons in order to avoid a hazard.
- 9) Please abandon the refrigerator according to local regulations as the unit contains flammable blowing gas and refrigerant.
- 10) Follow local regulations regarding disposal of the appliance due to flammable refrigerant and blowing gas. All refrigeration products contain refrigerants, which under the guidelines of federal law must be removed before disposal. It is the consumer's responsibility to comply with federal and local regulations when disposing of this product.
- 11) This appliance is intended to be used in household and similar environments; such as:
 - staff kitchen areas in shops, offices and other working environments;
 - farm houses and by clients in hotels, motels and other residential type environments;
 - bed and breakfast type environments;
 - catering and similar non-retail applications.
- 12) Do not store or use gasoline or any inflammable liquors and liquids inside or in the vicinity of refrigerator.
- 13) Do not use an extension cord with this appliance. If the power cord is too short, have a qualified electrician install an outlet near the appliance. Use of an extension can negatively affect the unit's performance.



IMPORTANT SAFETY INSTRUCTIONS

⚡WARNING⚡	To reduce the risk of fire, electrical shock, or injury when using your refrigerator, follow these basic precautions:
<ul style="list-style-type: none">• Read all instructions before using the refrigerator.• DANGER or WARNING: Risk of child entrapment.• To avoid the possibility of child entrapment, please take the following precautions before throwing out the refrigerator.<ul style="list-style-type: none">- Remove all doors from the unit.- Leave the shelves in place so that children may not easily climb inside.• Never allow children to operate, play with, or crawl inside the refrigerator.• Refrigerants: All refrigeration products contain refrigerants, which under the guidelines of federal law must be removed before disposal of product. It is the consumer's responsibility to comply with federal and local regulations when disposing of this product.• Never clean refrigerator parts with flammable fluids. The fumes can create a fire hazard or explosion.• Do not store or use gasoline or any other flammable vapors and liquids in the vicinity of this or any other refrigerator. The fumes can create a fire hazard or an explosion. <p style="text-align: center;">-Save these instructions-</p>	

INSTALLATION INSTRUCTIONS

Before Using Your Refrigerator

- Remove the exterior and interior packing.
- Before connecting the refrigerator to the power source, let it stand upright for approximately 4 hours. This will reduce the possibility of a malfunction in the cooling system from improper handling during transportation.
- Clean the interior surface with lukewarm water using a soft cloth. (Cleaning instruction on page 9)

Installing Your Refrigerator

- This appliance is designed to be free standing only, and should not be recessed or built-in.
- Place your refrigerator on a floor that is strong enough to support the refrigerator when it is fully loaded.
- Allow 5 inches of space between the back and sides of the refrigerator, which allows the proper air ventilation. Adjust the feet to keep the refrigerator level.
- Locate the refrigerator away from direct sunlight and sources of heat (stove, heater, radiator, etc.). Direct sunlight may affect the acrylic coating and heat sources may increase electrical consumption. Ambient temperature below 50°F (10°C) or above 85°F (29.4°C) will hinder the performance of this appliance. **This unit is not designed for use in a garage or any other outside installation.**
- Avoid locating the refrigerator in moist areas.
- Plug the refrigerator into dedicated, properly installed-grounded wall outlet. Do not under any circumstances cut or remove the third (ground) prong from the power cord. Any questions concerning power and/or grounding should be directed toward a certified electrician or an authorized service center. **This unit is not designed to be installed in an RV or used with an inverter.**
- After plugging the appliance into a wall outlet, turn the unit on and allow the unit to cool down for 2-3 hours under before placing food in the refrigerator or freezer compartment.

Electrical Connection

⚡WARNING⚡

Improper use of the grounded plug can result in the risk of electrical shock. If the power cord is damaged, have it replaced by an authorized service center.

This refrigerator should be properly grounded for your safety. The power cord of this refrigerator is equipped with a three-prong plug which mates with standard three prong wall outlets to minimize the possibility of electrical shock.

Do not, under any circumstances, cut or remove the third ground prong from the power cord supplied.

This refrigerator requires a standard 115/120 Volt A.C. ~/60Hz electrical outlet with three-prong ground.

This refrigerator is not designed to be used with an inverter.

The cord should be secured behind the refrigerator and not left exposed or dangling to prevent accidental injury.

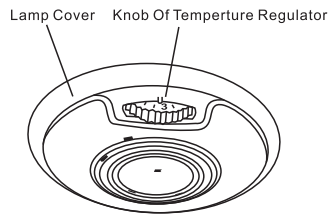
Never unplug the refrigerator by pulling the power cord. Always grip the plug firmly and pull straight out from the receptacle.

Do not use an extension cord with this appliance. If the power cord is too short, have a qualified electrician or service technician install an outlet near the appliance. Use of an extension cord can negatively affect the performance of the unit.

OPERATING YOUR REFRIGERATOR

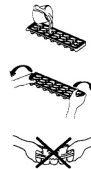
Temperature Control

- Your refrigerator has one control for regulating the temperature. The temperature control is located on the top center of the refrigerator compartment.
 - The first time you turn the unit on, adjust the temperature control knob to "7" and run for at least 2 hours before putting foods inside. This will ensure the cabinet is thoroughly chilled before food is put in.
 - The range of the refrigerator temperature control is from position "1" the warmest to "7" the coldest. Adjust the temperature control to the setting that best suits your needs. The setting of "4" should be appropriate for home or office refrigerator use.
 - Turning the temperature control knob to "0" position stops the cooling cycle but does not shut off the power to the unit.
- NOTE;**
- If the unit is unplugged, loses power; you must wait 3 to 5 minutes before restarting the unit. If you attempt to restart before this time delay, the refrigerator will not start.
 - Large amounts of food will lower the cooling efficiency of the appliance.
 - Do not place the foods on the air outlet, and leave spaces for airflow.
 - If you choose to change the thermostat setting, adjust thermostat control by one increment at a time. Allow several hours for temperature to stabilize between adjustments.



Ice Tray

- Recommended temperature control setting for ice making is "7".
- Fill the ice cube tray (2/3 capacity) with cold water and place the tray on the bottom of the chiller compartment to freeze properly.
- To eject the ice cubes from the tray, place over the ice bucket and twist slightly.
- Re-set the temperature control to setting "4".



The Freezer Compartment

- This compartment is designed for the long-term storage of frozen food.
- The storage life of frozen foods varies and the recommended storage time should not be exceeded.
- Place frozen food into the freezer as quickly as possible after purchase. If there are instructions on the packet, carefully follow these instructions regarding storage times.

When To Defrost

This unit is not designed to defrost automatically. In order to prevent damage to the interior liner of the unit from excessive frost build-up, please manually defrost the unit every 3 months or when ice / frost is approximately 1/4 " thick inside the freezer compartment.

How To Defrost

Defrost the freezer compartment when the ice / frost are approximately ¼" thick or every 3 months, whichever comes first. Set the thermostat dial to "0" to defrost. Remove all contents from the freezer compartment. Leave the freezer door open to allow accumulated ice / frost to melt. Remove large pieces of ice as needed. Do not use hot water or other electric heating devices to melt the accumulated ice. After defrosting, remove accumulated ice / water and wipe the freezer compartment dry with a soft cloth. In the event that the ice is not visibly present in the freezer compartment, please allow the evaporator located behind the freezer wall to completely defrost for approximately 2 hours before restarting the unit. Restart the unit per starting instructions.

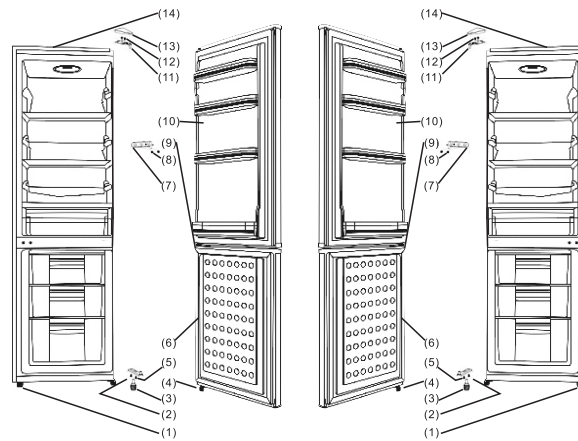
How To Change the interior light

NOTE: All parts removed must be saved to do the reinstallation of the light bulb. Before removing the light bulb, unplug the appliance from the power supply. Failure to do so could result in electrical shock or personal injury.

1. Remove the lamp cover by unscrewing.
2. Unscrew old bulb from the lower hole at the thermostat control box.
3. Replace the new bulb of the same voltage and screw size.
4. Re-install the lamp cover by screwing.

CHANGING THE REVERSIBLE DOOR

CAUTION: To avoid personal injury to yourself and/or property, we recommend someone assist you during the door reversal process.



Your refrigerator is built with a reversible door. You have the choice of either opening it from the left or the right side. In order to reserve the opening direction of your door, please follow these simple instructions:

- 1) Disassemble all the reversible components in the sequence as shown below (also refer to left diagram above). Be sure to keep them well for later use in the process of reassembling.

- | | |
|-----------------------------------|---------------------------------|
| (1) leveling leg II | (9) upper door right stopper |
| (2) bottom hinge | (10) door, freezer section |
| (3) leveling leg I | (11) top hinge |
| (4) bottom door baffle block | (12) 2 screws to hold top hinge |
| (5) 2 screws to hold bottom hinge | (13) Door hinge cover |
| (6) door, refrigerator section | (14) Plug |
| (7) mid hinge | (15) upper door left stopper |
| (8) 2 screws to hold mid hinge | |

- 2) To access the bottom hinge assembly, you may tilt back the refrigerator cabinet or lay the refrigerator on its back.
- 3) Remove the upper door right stopper (9), install the upper door left stopper (15) on the opposite side; take down the bottom door baffle block (4), and install it on the opposite side.
- 4) Reassemble the unit with the door hinges on the opposite side (see the right diagram above). The sequence for reassembling is just in reverse order of disassembling.
- 5) With the mid hinge not being fastened too tight, align two doors properly on the cabinet and then fasten the mid hinge. If necessary, loosen the bottom hinge and the top hinge when aligning and then fasten them tight.

CARE AND MAINTENANCE

Cleaning Your Refrigerator

- Upon installation of your new appliance, it is recommended that it be cleaned thoroughly.
- Turn off the refrigerator first and then unplug the unit from the wall outlet.
- Remove all food content.
- Wash the inside with a damp warm cloth soaked in lukewarm water and baking soda solution. The solution should be about 2 tablespoons of baking soda to a quart of water.
- Be sure to keep the door gasket (seal) clean to keep the unit running efficiently.
- The outside of the refrigerator should be cleaned with mild detergent and warm water.
- Dry the interior and exterior with a soft cloth.

Vacation Time

- Turn off the refrigerator first and then unplug the unit from the wall outlet.
- Remove all the food.
- Clean the refrigerator.
- Leave the door open slightly to avoid possible formation of condensation, mold, or odor.
- Use extreme caution in the case of children. The unit should not be accessible to child's play.
- **Short vacations:** Leave the refrigerator operating during vacations of less than three weeks.
- **Long vacations:** If the appliance will not be used for several months, remove all food and unplug the power cord. Clean and dry the interior thoroughly. To prevent odor and mold growth, leave the door open slightly: blocking it open if necessary or have the door removed.

Moving Your Refrigerator

- Turn off the refrigerator first and then unplug the unit from the wall outlet.
- Remove all the food.
- Securely tape down all loose items inside your refrigerator.
- Tape the doors shut.
- Be sure the refrigerator stays in the upright position during transportation.

Energy Saving Tips

- The refrigerator should be located in the coolest area of the room, away from heat producing appliances or heating ducts, and out of the direct sunlight.
- Let hot foods cool to room temperature before placing in the refrigerator. Overloading the refrigerator forces the compressor to run longer. Foods that freeze too slowly may lose quality, or spoil.
- Be sure to wrap foods properly, and wipe containers dry before placing them in the refrigerator. This cuts down on frost build-up inside the refrigerator.
- Organize and label food to reduce door openings and extended searches. Remove as many items as needed at one time, and close the door as soon as possible.

TROUBLESHOOTING GUIDE

You can solve many common refrigerator problems easily, saving you the cost of a possible service call. Try the suggestions below to see if you can solve the problem before calling for service.

PROBLEM	POSSIBLE CAUSE
Refrigerator does not operate.	Not plugged in. The circuit breaker tripped or a blown fuse.
Compressor turns on and off frequently.	The room temperature is hotter than normal. A large amount of food has been added to the refrigerator. The door is opened too often. The door is not closed completely. The temperature control is not set correctly. The door gasket does not seal properly. The refrigerator does not have the correct clearances. The refrigerator has recently been disconnected for a period of time. 4 hours are required for the refrigerator to cool down completely.
Temperature inside the refrigerator is too warm.	Temperature control is set too warm. Turn the control to a cooler setting and allow several hours for the temperature to stabilize. Door is kept open too long or is opened too frequently. Warm air enters the refrigerator every time the door is opened. Open the door less often. The door is not closed completely. The door gasket does not seal properly. A large amount of warm or hot food might have been stored recently. Wait until the refrigerator has had a chance to reach its selected temperature. The refrigerator has recently been disconnected for a period of time. 4 hours are required for the refrigerator to cool down completely.
Temperature inside the refrigerator is too cold.	Temperature control is set too cold. Turn the control to a warmer setting and allow several hours for the temperature to stabilize.
Temperature of external refrigerator surface is warm.	The exterior refrigerator walls can be as much as 30°F warmer than room temperature. This is normal while the compressor works to transfer heat from inside the refrigerator cabinet.
Popping or cracking sound when compressor comes on.	Metal parts undergo expansion and contraction, as in hot water pipes. This is normal. Sound will level off or disappear as refrigerator continues to run.
Bubbling or gurgling sound, like water boiling.	Refrigerant (used to cool refrigerator) is circulating throughout the system. This is normal.
Vibrations.	Check to assure that the refrigerator is on a level surface. Floor is uneven or weak. Refrigerator rocks on the floor when it is moved slightly. Be sure floor can adequately support refrigerator. Level the

	refrigerator by putting wood or metal shims under part of the refrigerator. The refrigerator is touching the wall. Re-level the refrigerator and move it from the wall. See "Installation Instructions".
Moisture forms on inside refrigerator walls.	Weather is hot and humid, which increases internal rate of frost build-up. This is normal. Door is slightly open. Door is kept open too long, or is opened too frequently. Open the door less often. The door is not sealed properly.
Moisture forms on outside of refrigerator.	Door is slightly open, causing cold air from inside the refrigerator to meet warm moist air from outside.
The door will not close properly.	The refrigerator is not on a level surface. The gasket is dirty.

For service assistance and product information, please call: 1-800-968-9853.
Curtis International Ltd.
7045 BECKETT DRIVE, UNIT 15, MISSISSAUGA, ON, L5S 2A3 www.curtisint.com

To make a warranty claim, do not return this product to the store. Please email support@curtiscs.com or call 1-800-968-9853.

1 Year Warranty

This product is warranted to be free from defects in material and workmanship for a period of one (1) year from the date of original purchase. During this period, your exclusive remedy is repair or replacement of this product or component found to be defective, at our option; however, you are responsible for all costs associated with returning the product to us. If the product or component is no longer available, we will replace with a similar one of equal or greater value. Prior to a replacement being sent, the product must be rendered inoperable or returned to us.

This warranty does **not** cover glass, filters, wear from normal use, use not in conformity with the printed directions., or damage to the product resulting from accident, alteration, abuse, or misuse. This warranty extends only to the original consumer purchaser or gift recipient. Keep the original sales receipt, as proof of purchase is required to make a warranty claim. This warranty is void if the product is used for other than single-family household use or subjected to any voltage and waveform other than as on the specified rating on the label (e.g., 120V~60Hz).

We exclude all claims for special, incidental, and consequential damages caused by breach of express or implied warranty. All liability is limited to the amount of the purchase price. **Every implied warranty, including any statutory warranty or condition of merchantability or fitness for a particular purpose, is disclaimed except to the extent prohibited by law, in which case such warranty or condition is limited to the duration of this written warranty.** This warranty gives you specific legal rights. You may have other legal rights that vary depending on where you live. Some states or provinces do not allow limitations on implied warranties or special, incidental, or consequential damages, so the foregoing limitations may not apply to you.

For faster service, locate the model, type, and serial numbers on your appliance.

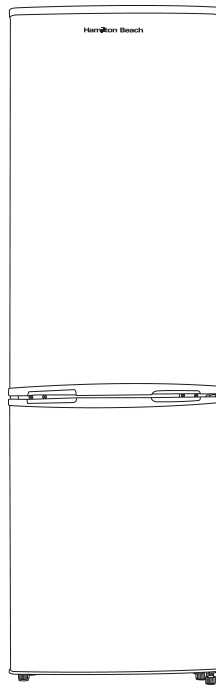
PRODUCT SPECIFICATIONS	
MODEL NO.	HBFR9004
CAPACITY OF FREEZER IN CU FT:	2.33
CAPACITY OF FRIDGE IN CU FT:	6.66
SHELF MATERIAL	TRANSPARENT PLASTIC
TEMPERATURE CONTROL TYPE	MECHANICAL THERMOSTAT
TEMPERATURE RANGE FRIDGE IN FAHRENHEIT AND CELSIUS	32-50°F/0-10°C
TEMPERATURE RANGE FREEZER IN FAHRENHEIT AND CELSIUS	6.8 ~ -11.2°F/-14 ~ -24°C
DEPTH (EXCLUDING HANDLES) (IN):	22.24
DEPTH (INCLUDING HANDLES) (IN):	22.24
DEPTH (LESS DOOR) (IN):	19.37
DEPTH WITH DOOR OPEN 90 DEGREES (IN):	41.77
HEIGHT TO TOP OF DOOR HINGE (IN.):	71.46
HEIGHT TO TOP OF REFRIGERATOR (IN.):	71.46
PRODUCT DEPTH (IN.):	22.24
PRODUCT HEIGHT (IN.):	71.46
PRODUCT WIDTH (IN.):	21.46

DANGER: Risk of child entrapment. Before you throw away your old refrigerator or freezer:
 * Take off the doors.
 * Leave the shelves in place so that children may not easily climb inside.

Hamilton Beach®

**RÉFRIGÉRATEUR
CONGÉLATEUR**

9.0 PI CU
254 L



MANUEL D'INSTRUCTIONS

HBFR9004

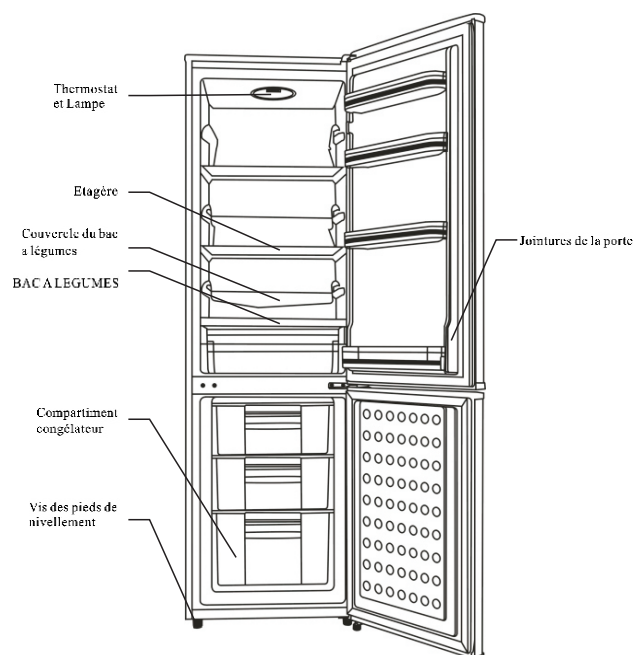
Hamilton Beach® est une marque déposée de Hamilton Beach Brands, Inc.
utilisé sous licence par Curtis International Ltd.

TABLE DES MATIÈRES

NOM DES PIÈCES	2
DIRECTIVES DE SÉCURITÉ IMPORTANTES	3
INSTRUCTIONS POUR L'INSTALLATION	
AVANT D'UTILISER VOTRE RÉFRIGÉRATEUR	4
INSTALLATION DE VOTRE RÉFRIGÉRATEUR	4
BRANCHEMENT ELECTRIQUE	5
UTILISATION DE VOTRE RÉFRIGÉRATEUR	
COMMANDE DE TEMPÉRATURE	6
MOULE À GLAÇON.....	6
LE CONGELATEUR	6
QUAND DÉGIVRER	6
COMMENT DÉGIVRER	7
MODIFICATION DE LA LUMIERE.....	7
CHANGEMENT DE LA PORTE RÉVERSIBLE.....	8
ENTRETIEN ET MAINTENANCE	
NETTOYAGE DE VOTRE RÉFRIGÉRATEUR	9
PÉRIODE D'INUTILISATION	9
DÉPLACEMENT DE VOTRE RÉFRIGÉRATEUR	9
ECONOMIES D'ENERGIE CONSEILS	9
GUIDE DE DÉPANNAGE.....	10
1 ANS DE GARANTIE.....	12
SPÉCIFICATIONS DU PRODUIT.....	13

NOM DES PIÈCES

NUMÉRO DU MODÈLE : HBFR9004



⚡ MISE EN GARDE ⚡ : Ne touchez jamais l'intérieur du Congélateur ni les aliments congelés situés à l'intérieur si vous avez les mains humides car cela pourrait entraîner une gelure.

DIRECTIVES DE SÉCURITÉ IMPORTANTES



AVERTISSEMENT

Afin de minimiser les risques d'incendie, de chocs électriques ou de blessures, suivre ces précautions élémentaires lorsque vous utilisez votre réfrigérateur.

- 1) **AVERTISSEMENT**----Ne pas obstruer l'ouverture de ventilation, dans l'enceinte de l'appareil ou dans la structure elle-même.
- 2) **AVERTISSEMENT**----Ne pas utiliser de dispositifs mécaniques ou autres moyens pour accélérer le dégivrage, autres que ceux recommandés par le fabricant.
- 3) **AVERTISSEMENT**---- Ne pas endommager la tuyauterie du réfrigérant ce qui augmentera les risques de fuite lorsque de la manipulation, du déplacement et de l'utilisation de réfrigérateur.
- 4) **AVERTISSEMENT** ----Ne pas utiliser d'appareils électriques à l'intérieur des compartiments de stockage des aliments de l'appareil, à moins qu'ils ne soient du type recommandé par le fabricant.
- 5) **AVERTISSEMENT** ----**DANGER**: Ne jamais laisser les enfants jouer, utiliser ou ramper à l'intérieur du réfrigérateur. Risque d'enfermer les enfants. Avant de jeter votre vieux réfrigérateur ou congélateur :
 - Enlever les portes
 - Laisser les étagères en place afin que les enfants ne puissent pas grimper facilement à l'intérieur.
- 6) L'appareil est bien débranché avant de procéder à la maintenance de l'appareil.
- 7) Cet appareil peut être utilisé par des enfants l'âge de 8 ans et au-delà, par des personnes aux capacités sensorielles ou physiques et mentales réduites, ou manquant d'expérience et de connaissances, si elles ont bénéficié d'une surveillance ou d'instructions préalables concernant l'utilisation de l'appareil en toute sécurité, et comprennent les risques encourus. Les enfants ne devraient pas jouer avec l'appareil. Le nettoyage et entretien ne doivent pas être entrepris par des enfants sans surveillance.
- 8) Si la pièce est endommagée, elle doit être remplacée par le fabricant, son agent de SAV ou des personnes qualifiées, ceci afin d'éviter tout danger.
- 9) Veuillez vous débarrasser du réfrigérateur conformément à la réglementation locale, car l'appareil contient un gaz inflammable pouvant s'en dégager, et du réfrigérant.
- 10) Suivre la réglementation locale relative à l'élimination de l'appareil en raison du réfrigérant inflammable et du gaz. Tous les appareils de réfrigération contiennent des réfrigérants qui, conformément aux indications de la législation fédérale, doivent être purgés avant d'être éliminés. Il est du ressort du consommateur de se conformer à la réglementation fédérale et locale lors de l'élimination du produit.
- 11) Cet appareil est prévu pour un usage domestique et dans des lieux similaires, notamment :
 - Les cuisines du personnel dans les magasins, bureaux et autres lieux de travail ;
 - Les maisons de ferme et par les clients dans les hôtels, motels et autres lieux de type résidentiel ;
 - Lieux de type Bed & Breakfast ;
 - Restauration et ventes en gros de même type.
- 12) Ne pas stocker ni utiliser de l'essence, des alcools inflammables ni des liquides à l'intérieur ou à proximité du réfrigérateur.
- 13) Ne pas utiliser de rallonge avec l'appareil. Si le cordon d'alimentation est trop court, demander à un électricien qualifié d'installer une prise près de l'appareil. L'utilisation d'une rallonge peut affecter négativement le bon fonctionnement de l'appareil.



DIRECTIVES DE SÉCURITÉ IMPORTANTES

⚡ MISE EN GARDE ⚡	Afin de réduire le risque d'incendie, de choc électrique ou de blessure pendant l'utilisation de votre réfrigérateur, suivez ces précautions élémentaires:
<ul style="list-style-type: none">• Lisez la totalité des instructions avant d'utiliser le réfrigérateur.• DANGER ou MISE EN GARDE : Risque d'enfermement d'enfant.• Pour éviter toute possibilité qu'un enfant se retrouve piégé à l'intérieur du réfrigérateur, veuillez prendre les précautions suivantes avant de le mettre au rebut.<ul style="list-style-type: none">- Retirez la totalité des portes de l'appareil.- Laissez les étagères en place de sorte que des enfants ne puissent pas facilement grimper à l'intérieur.• N'autorisez jamais aucun enfant à utiliser, jouer avec ou ramper à l'intérieur du réfrigérateur.• Fluides frigorigènes: Tous les produits de réfrigération contiennent des fluides frigorigènes qui, selon les directives de la loi fédérale doit être enlevé avant l'élimination du produit. Il incombe au consommateur de se conformer aux règlements fédéraux et locaux lors de l'élimination de ce produit.• Ne nettoyez jamais les pièces du congélateur avec des fluides inflammables. Les émanations risqueraient de créer un incendie ou une explosion.• Ne conservez pas ou n'utilisez pas d'essence ni aucune autre émanations ni aucun liquide inflammable à proximité de ce réfrigérateur ni de tout autre réfrigérateur. Les émanations pourraient créer incendie ou une explosion.	
-Conservez ces instructions-	

INSTRUCTIONS POUR L'INSTALLATION

Avant d'utiliser votre réfrigérateur

- Retirez l'emballage extérieur et intérieur.
- Avant de brancher le réfrigérateur sur la prise de courant, laissez-le debout pendant environ 4 heures. Cela permettra de réduire les risques de panne du circuit de refroidissement dues à une manipulation incorrecte lors du transport.
- Nettoyez la surface interne à l'eau tiède à l'aide d'un chiffon doux. (Voyez la rubrique sur le nettoyage page 9)

Installation de votre réfrigérateur

- Cet appareil est conçu pour fonctionner seul. Il ne devrait pas être encastré.
- Placez votre réfrigérateur sur un sol suffisamment résistant pour supporter son poids lorsqu'il est plein.
- Laissez un espace de 5 pouces entre l'arrière et les côtés du réfrigérateur afin de permettre la bonne circulation de l'air nécessaire à la ventilation. Ajustez les pieds pour maintenir le réfrigérateur à plat.
- Positionnez le réfrigérateur de sorte que celui-ci ne soit pas exposé à la lumière directe du soleil ni à proximité de sources de chaleur (gazinière, chaudière, radiateur, etc.). L'exposition à la lumière directe du soleil peut détériorer le revêtement acrylique et les sources de chaleur peuvent augmenter la consommation électrique du réfrigérateur. Une température ambiante inférieure à

50°F (10°C) ou supérieure à 85°F (29.4°C) aura une influence négative sur la performance de l'appareil. **Cet appareil n'est pas conçu pour une utilisation dans un garage ni dans toute autre installation en extérieur.**

- Évitez de placer le réfrigérateur dans des lieux humides.
- Branchez le réfrigérateur sur une prise de courant raccordée à la terre dédiée et correctement installée. Ne coupez ou ne retirez sous aucun prétexte le troisième ergot (terre) de la fiche du cordon d'alimentation. Toute question concernant l'alimentation en électricité et/ou le raccordement à la terre devrait être posée à un électricien certifié ou à un centre de réparations agréé. **Cet appareil n'est pas conçu pour être installé dans un véhicule de caravanning ni pour être utilisé avec un onduleur.**
- Après avoir branché l'appareil sur une prise de courant, allumez l'appareil et laissez-le refroidir pendant 2 à 3 heures avant de placer des aliments dans le congélateur ou dans le réfrigérateur.

Branchement électrique

⚡ MISE EN GARDE ⚡

Une utilisation incorrecte de la prise de raccordement à la terre peut entraîner un risque d'électrocution. Si le cordon d'alimentation est abîmé, faites-le remplacer par un centre de réparation agréé.

Pour votre sécurité, ce réfrigérateur devrait être correctement raccordé à la terre. Le cordon d'alimentation de ce réfrigérateur est pourvu d'une fiche à trois ergots qui est compatible avec les prises secteur à trois ergots standard afin de réduire la possibilité d'une électrocution.

Ne coupez ou ne retirez sous aucun prétexte le troisième ergot de la fiche du cordon d'alimentation fourni.

Ce réfrigérateur nécessite une prise de courant standard de 115/120 Volt A.C. ~/60Hz compatible avec une fiche à trois ergots raccordée à la terre.

Ce réfrigérateur n'est pas conçu pour être utilisé avec un onduleur.

Le cordon d'alimentation devrait être en sécurité derrière le réfrigérateur et ne devrait pas être exposé ou suspendu pour éviter toute blessure accidentelle.

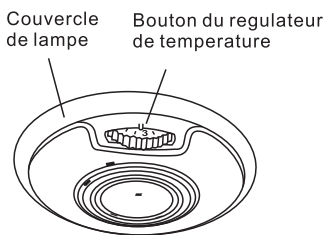
Ne débranchez jamais le réfrigérateur en tirant sur le cordon d'alimentation. Tenez toujours fermement la fiche et tirez-la droite vers l'extérieur de la prise de courant.

N'utilisez pas de cordon de rallonge avec cet appareil. Si le cordon d'alimentation est trop court, demandez à un électricien qualifié ou à un technicien d'entretien d'installer une prise de courant près de l'appareil. L'utilisation d'un cordon de rallonge peut avoir un effet négatif sur le fonctionnement de l'appareil.

UTILISATION DE VOTRE RÉFRIGÉRATEUR

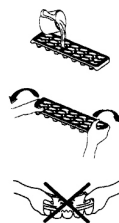
Commande de température

- Votre réfrigérateur est équipé d'un thermostat. Le contrôle de la température est situé en haut et au centre du compartiment du réfrigérateur.
- Lors de la première mise en marche, réglez la température sur "7" et faites fonctionner l'appareil pendant au moins 2 heures avant d'y placer des aliments. Ceci vous permettra d'être sûr que l'appareil est complètement refroidi avant de recevoir des aliments.
- Le contrôle de la température va de « 1 » à « 7 », c'est-à-dire du moins froid au froid maximum. Réglez la température selon vos besoins. Le réglage sur « 4 » convient à la plupart des conditions d'utilisations au domicile ou au bureau.
- Lorsque vous mettez le bouton de contrôle sur « 0 », le cycle de refroidissement est arrêté mais l'appareil reste allumé.
- **REMARQUE :**
 - Si l'appareil est débranché ou en cas de coupure de courant, il faut attendre 3 à 5 minutes avant de le remettre en marche. Si vous essayez de le redémarrer avant ce délai, le réfrigérateur ne se remettra pas en route.
 - Les grandes quantités de nourriture réduisent l'efficacité de l'appareil.
 - Ne placez pas les aliments sur la sortie d'air et disposez les aliments de manière à permettre une bonne circulation de l'air.
 - Si vous souhaitez modifier le réglage du thermostat, ajustez le bouton de contrôle du thermostat en le changeant d'un cran à la fois. La température ne se stabilise qu'après plusieurs heures suivant le changement de réglage.



Moule à glaçons

- Il est recommandé de régler la commande de température à la position « Plus 7 » pour fabriquer des glaçons.
- Remplissez le moule à glaçons (à 2/3 de sa capacité) avec de l'eau froide et posez-le dans la partie inférieure du compartiment de congélation pour une congélation uniforme.
- Afin d'éjecter les glaçons du moule, positionnez au-dessus d'un bac à glaçons et tordez légèrement.
- Réinitialisez la commande de température en la réglant à la position « 4 ».



Le congélateur

- Ce compartiment est conçu pour le stockage à long terme des surgelés.
- La durée de conservation des aliments surgelés varie, et il ne faut pas dépasser le temps de stockage recommandé.
- Mettez les surgelés au congélateur le plus tôt possible après l'achat. Respectez les instructions inscrites sur les produits congelés, surtout en ce qui concerne la durée de stockage.

Quand dégivrer

Ce produit n'est pas conçu pour un dégivrage automatique. Afin d'éviter d'endommager l'intérieur de l'appareil par une accumulation excessive de givre, veuillez faire un dégivrage manuel tous les 3 mois ou lorsque vous voyez que l'intérieur du compartiment du congélateur est revêtu d'une couche de givre d'environ ¼" d'épaisseur.

Comment dégivrer

Il convient de dégivrer le compartiment du congélateur dès que la couche de givre atteint environ ¼" d'épaisseur ou au moins tous les trois mois, selon la première éventualité. Réglez le bouton du thermostat sur « 0 » pour le dégivrage. Retirez toutes les denrées du compartiment du congélateur. Laissez la porte du congélateur ouverte pour laisser fondre l'accumulation de givre ou de glace. Retirez les gros morceaux de glace s'il y a lieu. N'utilisez pas d'eau chaude ni d'appareil de chauffage électrique pour faire fondre l'accumulation de givre. Après le dégivrage, retirez l'accumulation de glace et d'eau et essuyez le compartiment du congélateur avec un chiffon doux pour le sécher. Même si vous ne voyez pas de givre dans le compartiment du congélateur, il faut complètement dégivrer l'évaporateur situé derrière la paroi du congélateur pendant environ 2 heures avant de remettre l'appareil en marche. Redémarrez l'appareil en suivant les instructions de mise en marche.

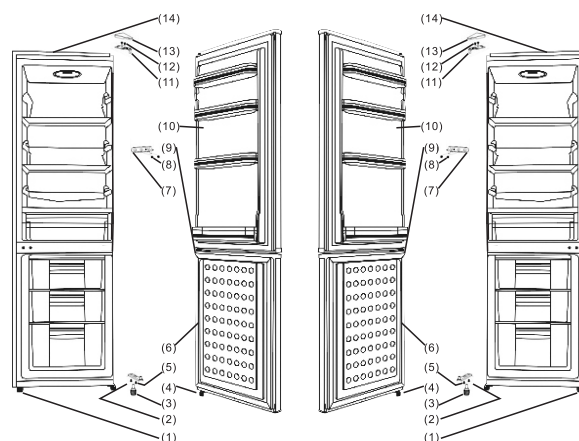
Modificatino de la lumiere

NOTE: Toutes les pièces enlevées doivent être enregistrés à la réinstallation de l'ampoule. Avant de retirer l'ampoule, débranchez l'appareil de l'alimentation électrique. Sinon, cela pourrait entraîner un choc électrique ou des blessures.

1. Remove le couvercle de la lampe en dévissant.
2. Dévissez l'ancienne ampoule du trou inférieur à la boîte de commande du thermostat.
3. Remplacez la nouvelle ampoule de la même tension et visser taille.
4. Re-installer le couvercle de la lampe par vissage.

CHANGEMENT DE LA PORTE RÉVERSIBLE

ATTENTION : Pour éviter de vous blesser ou d'endommager du matériel, il est recommandé d'obtenir de l'aide pendant le processus de changement de sens d'ouverture de la porte.



Votre réfrigérateur est équipé d'une porte réversible. Vous pouvez choisir une ouverture à gauche ou à droite. Pour inverser le sens d'ouverture de la porte, suivez les instructions très simples ci-dessous :

1) Démontez toutes les pièces réversibles dans l'ordre indiqué ci-dessous (consultez également le diagramme ci-dessus à gauche). Veillez à bien les conserver pour le remontage.

- | | |
|---|---|
| (1) patte niveleuse II | (9) bouchon porte supérieure droite |
| (2) charnière inférieure | (10) porte du congélateur |
| (3) patte niveleuse I | (11) charnière supérieure |
| (4) bloc déflecteur inférieur de la porte | (12) 2 vis pour fixer la charnière supérieure |
| (5) 2 vis pour fixer la charnière inférieure | (13) Couvercle de la charnière |
| (6) porte du réfrigérateur | (14) Plup |
| (7) charnière intermédiaire | (15) porte supérieure gauche bouchon |
| (8) 2 vis pour fixer la charnière intermédiaire | |

- 2) Pour accéder à la charnière inférieure, vous pouvez incliner le réfrigérateur vers l'arrière ou le poser à plat sur son dos.
- 3) Retirez le bouchon porte supérieure droite (9), installez la porte supérieure gauche bouchon (15) sur le côté opposé, prenez vers le bas le bloc déflecteur inférieur de la porte (4), et installez-le sur le côté opposé.
- 4) Remontez l'appareil avec les charnières de l'autre côté (consultez le diagramme ci-dessus). Remontez en suivant les étapes du démontage en ordre inverse.
- 5) Avec la charnière intermédiaire en place mais pas trop serrée, alignez bien les deux portes, puis serrez la charnière intermédiaire. Si nécessaire, desserrez les deux autres charnières pour ajuster les portes, puis resserrez-les bien.

ENTRETIEN

Nettoyage de votre réfrigérateur

- Dès l'installation de votre nouvel appareil, nous vous recommandons de le nettoyer méticuleusement.
- Commencez par éteindre le réfrigérateur puis débranchez l'appareil de la prise de courant.
- Retirez la totalité des aliments.
- Lavez l'intérieur à l'aide d'un chiffon chaud et humide trempé dans une solution d'eau tiède et de bicarbonate. La solution devrait comporter environ 2 cuillères à soupe de bicarbonate pour un quart d'eau.
- Assurez-vous de maintenir le joint de la porte propre pour que l'appareil fonctionne efficacement.
- L'extérieur du réfrigérateur devrait être nettoyé avec un détergent peu agressif et de l'eau chaude.
- Séchez l'intérieur et l'extérieur avec un chiffon humide.

Période d'inutilisation

- Éteignez d'abord le réfrigérateur puis débranchez l'appareil de la prise de courant.
- Retirez tous les aliments.
- Nettoyez le réfrigérateur.
- Laissez la porte légèrement ouverte pour éviter la formation possible de condensation, de moisissures ou d'odeurs.
- Faites preuve d'une extrême prudence en présence d'enfants. L'appareil ne devrait pas être accessible pour des enfants qui jouent.
- **Périodes d'inutilisation courtes** : Laissez le réfrigérateur en fonctionnement pendant des périodes d'inutilisation de moins de trois semaines.
- **Périodes d'inutilisation prolongées** : Si l'appareil va être inutilisé pendant plusieurs mois, retirez tous les aliments puis débranchez le cordon d'alimentation. Nettoyez et séchez l'intérieur avec soin. Afin de prévenir la formation d'odeurs et de moisissures, laissez la porte légèrement ouverte : bloquez-la en position ouverte si nécessaire ou faites retirer la porte.

Déplacement de votre réfrigérateur

- Éteignez d'abord le réfrigérateur puis débranchez l'appareil de la prise de courant.
- Retirez tous les aliments.
- Fixez solidement tous les éléments non fixes à l'intérieur de votre réfrigérateur avec de l'adhésif.
- Fermez la porte à l'aide d'un rouleau adhésif.
- Assurez-vous que le réfrigérateur demeure en position verticale pendant le transport.

Economies d'énergie conseils

- Le réfrigérateur devrait être placé dans la zone la plus froide de la pièce, à l'écart des appareils émettant de la chaleur ou des conduits de chauffage, et ne pas être exposé à la lumière directe du soleil.
- Laissez les aliments chauds refroidir à température ambiante avant de les placer au réfrigérateur. Le fait de surcharger le réfrigérateur oblige le compresseur à fonctionner plus longtemps. Les aliments qui refroidissent trop lentement au freezer peuvent perdre en qualité ou être gâchés.
- Assurez-vous d'emballer les aliments correctement, et essuyez les récipients afin qu'ils soient secs avant de les placer au réfrigérateur. Ceci diminue l'accumulation de glace à l'intérieur du réfrigérateur.
- Rangez et étiquetez les aliments afin de réduire les ouvertures de portes et les longues recherches. Retirez autant d'éléments que nécessaire en une fois, et refermez la porte dès que possible.

GUIDE DE DÉPANNAGE

Vous pouvez résoudre facilement un grand nombre de problèmes fréquents du réfrigérateur, et économiser ainsi le coût d'un appel potentiel des services de réparation. Essayez les suggestions ci-dessous pour voir si vous pouvez résoudre le problème avant d'appeler un service de réparation.

PROBLÈME	CAUSE POTENTIELLE
Le réfrigérateur ne fonctionne pas.	Pas branché. Le coupe-circuit s'est déclenché ou un fusible a sauté.
Le compresseur se met en marche et s'arrête fréquemment.	La température de la pièce est plus élevée qu'à la normale. Une grande quantité d'aliments a été ajoutée dans le réfrigérateur. La porte est ouverte trop souvent. La porte n'est pas complètement fermée. Le thermostat n'est pas réglé correctement. Le joint de la porte n'est pas complètement étanche. Le réfrigérateur ne dispose pas de suffisamment d'espaces dégagés. Le réfrigérateur a récemment été débranché pendant une période. 4 heures sont nécessaires pour que le réfrigérateur refroidisse complètement.
La température à l'intérieur du réfrigérateur est trop élevée.	Le thermostat est réglé sur une température trop élevée. Réglez le thermostat sur une température plus faible puis patientez plusieurs heures afin que la température se stabilise. La porte reste ouverte trop longtemps ou est ouverte trop fréquemment. De l'air chaud entre dans le réfrigérateur à chaque fois que la porte est ouverte. Ouvrez la porte moins souvent. La porte n'est pas complètement fermée. Le joint de la porte n'est pas complètement étanche. Une grande quantité d'aliments chauds ou très chauds a peut-être été placée dans le réfrigérateur récemment. Attendez jusqu'à ce que le réfrigérateur ait eu la possibilité d'atteindre la température de son thermostat. Le réfrigérateur a récemment été débranché pendant une période. 4 heures sont nécessaires pour que le réfrigérateur refroidisse complètement.
La température à l'intérieur du réfrigérateur est trop faible.	Le thermostat est réglé sur une température trop faible. Réglez le thermostat sur une température plus élevée puis patientez plusieurs heures afin que la température se stabilise.
La température externe du réfrigérateur est élevée.	Les parois externes du réfrigérateur peuvent atteindre une température supérieure à celle de la pièce de 30°F. Ceci est normal lorsque le compresseur fonctionne afin de transférer la chaleur depuis l'intérieur du réfrigérateur.

Bruit de claquement ou de craquement lorsque le compresseur se déclenche.	Les pièces métalliques subissent une dilatation et une rétractation, comme dans les tuyaux d'eau chaude. C'est tout à fait normal. Le bruit diminue ou disparaît au fur et à mesure que le réfrigérateur fonctionne.
Bruit de bulles ou d'écoulement d'eau, comme de l'eau en ébullition.	Du liquide de refroidissement (utilisé pour refroidir le réfrigérateur) circule dans l'appareil. C'est tout à fait normal.
Vibrations.	Vérifiez que le réfrigérateur se trouve sur une surface plane. Le sol est inégal ou faible. Le réfrigérateur bascule légèrement sur le sol lorsqu'il est déplacé légèrement. Assurez-vous que le sol est en mesure de soutenir le réfrigérateur de manière adéquate. Calez le réfrigérateur en plaçant un morceau de bois ou des morceaux de métal sous une partie du réfrigérateur. Le réfrigérateur touche le mur. Remettez le réfrigérateur à plat et éloignez-le du mur. Voir les « Instructions pour l'installation ».
De l'humidité se forme sur les parois internes du réfrigérateur.	Le temps est chaud et humide, ce qui augmente le taux interne d'accumulation de glace. C'est tout à fait normal. La porte est légèrement ouverte. La porte reste ouverte trop longtemps, ou elle est ouverte trop fréquemment. Ouvrez la porte moins souvent. La porte n'est pas suffisamment étanche.
De l'humidité se forme à l'extérieur du réfrigérateur.	La porte est légèrement ouverte, ce qui provoque la rencontre entre l'air froid à l'intérieur du réfrigérateur et l'air chaud et humide de l'extérieur.
La porte ne ferme pas correctement.	Le réfrigérateur ne se trouve pas sur une surface plane. Le joint est sale.

Pour obtenir assistance et information appelez: 1-800-968-9853.

Curtis International Ltd.

7045 BECKETT DRIVE, UNIT 15, MISSISSAUGA, ON, L5S 2A3 www.curtisint.com

Pour faire une demande de garantie, ne retournez pas ce produit au magasin. Veuillez envoyer un courriel électronique à support@curtiscs.com ou appeler le 1-800-968-9853.

1 ans de garantie

Ce produit est garanti contre tout défaut de matériel et de fabrication pendant une période de un (1) ans à compter de la date d'achat d'origine. Pendant cette période, votre seul recours est la réparation ou le remplacement de ce produit ou composant jugé défectueux, à notre choix; Cependant, vous êtes responsable de tous les coûts associés au retour du produit. Si le produit ou le composant n'est plus disponible, nous le remplacerons par un produit similaire de valeur égale ou supérieure. Avant l'envoi d'un produit de remplacement, le produit doit être rendu inutilisable ou nous être renvoyé.

Cette garantie **ne couvre pas** le verre, les filtres, l'usure normale, une utilisation non conforme aux instructions imprimées, ni les dommages matériels résultant d'un accident, d'une altération, d'une utilisation abusive ou abusive. Cette garantie s'applique uniquement à l'acheteur initial ou au destinataire du cadeau. Conservez le reçu de vente original, car une preuve d'achat est nécessaire pour faire une réclamation de garantie. Cette garantie est annulée si le produit est utilisé pour un usage autre que domestique ou s'il est soumis à une tension ou une forme d'onde autre que celle indiquée sur l'étiquette (par exemple, 120V ~ 60Hz).

Nous excluons toute réclamation pour des dommages spéciaux, accessoires et consécutifs causés par une violation de la garantie explicite ou implicite. Toute responsabilité est limitée au montant du prix d'achat. **Toute garantie implicite, y compris toute garantie légale ou condition de qualité marchande ou d'adéquation à un usage particulier, est refusée sauf dans la mesure où la loi l'interdit, auquel cas cette garantie ou condition est limitée à la durée de cette garantie écrite.** Cette garantie vous confère des droits légaux spécifique. Vous pouvez avoir d'autres droits légaux qui varient selon votre lieu de résidence. Certains états ou provinces n'autorisant pas les limitations de garanties implicites ou de dommages spéciaux, accessoires ou indirects, les limitations ci-dessus peuvent ne pas vous concerner.

Pour un service plus rapide, trouver le modèle, le type et les numéros de série sur votre appareil.

SPÉCIFICATIONS DU PRODUIT	
MODÈLE NO.	HBFR9004
CAPACITÉ DU CONGÉLATEUR EN CU FT:	2.33
CAPACITÉ DU RÉFRIGÉRATEUR EN CU FT:	6.66
MATÉRIEL D'ÉTAGÈRE	PLASTIQUE TRANSPARENT
TYPE DE CONTRÔLE DE TEMPÉRATURE	THERMOSTAT MÉCANIQUE
RÉFRIGÉRATEUR: PLAGE DE TEMPÉRATURE À FAHRENHEIT ET CELSIUS	32-50°F/0-10°C
CONGÉLATEUR: PLAGE DE TEMPÉRATURE À FAHRENHEIT ET CELSIUS	6.8 ~ -11.2°F/-14 ~ -24°C
PROFONDEUR (HORS POIGNÉES) (PO):	22.24
PROFONDEUR (INCLUANT LES POIGNÉES) (PO):	22.24
PROFONDEUR (MOINS PORTE) (PO):	19.37
PROFONDEUR AVEC PORTE OUVERTE 90 DEGRÉS (PO):	41.77
HAUTEUR AU HAUT DE LA CHARNIÈRE DE LA PORTE (PO):	71.46
HAUTEUR AU HAUT DU RÉFRIGÉRATEUR (PO):	71.46
PROFONDEUR DU PRODUIT (EN):	22.24
HAUTEUR DU PRODUIT (PO):	71.46
LARGEUR DU PRODUIT (EN.):	21.46

DANGER : Risque d'enfermer les enfants. Avant de jeter votre vieux réfrigérateur ou congélateur:
 * Retirer les portes.
 * Laissez les tablettes en place de façon à empêcher l'accès aux enfants.