

# ASSEMBLING & INSTALLATION INSTRUCTIONS

The drawing shown may not exactly match the product enclosed. However, the installation instructions do apply to this product.

- ◆ **WARNING! SHUT POWER OFF AT FUSE OR CIRCUIT BREAKER.**
- ◆ **ATTENTION! COUPER LE COURANT AU FUSIBLE OU UN DISJONCTEUR.**

## ASSEMBLING THE FIXTURE (Fig.1)

1. Shut off the power at the circuit breaker box. Remove old fixture and all hardware from Junction Box. Carefully unpack your new fixture and lay out all the parts on a clear area. Take care not to lose any small parts necessary for installation.
2. End of pipe nipple screw(C) into single bar (D), place lock washer (B) over end of nipple protruding through single bar and lock it securely with the hex nut (A). Take this single bar assembly to junction box with junction box screws (E), tighten screws securely with screwdriver. The side of the single bar marked "GND" must face to out. **The junction box is not included.**
3. Thread the nipple (L) into the coupling into the bottom of the fixture body (I) and lock it with the hex nut. Raise the cover (M) to the bottom of the fixture body (I), aligning the hole with the pipe nipple, then screw it with the lower finial (N). Attach the finial(H) to the top of the fixture body (I) and lock it until tight.
4. Carefully lift the glass shade (J) to the lamp holder of the fixture body(I) and lock it securely with the check ring (K).
5. By measuring, determine correct number of links needed for proper hanging height. Using proper chain pliers disconnect and discard remaining chain. Lace the fixture wires through the chain. Open the end link of the chain and hang the small loop of the fixture body(I) and canopy(F). Close the link.
6. While holding the fixture body towards the ceiling, connect the electrical wires as Shown in Fig.2, making sure that all wire nuts are secured. You may have to wrap the connections with electrical tape. If your outlet has a ground wire (green or bare copper), connect the fixture ground wire to it. Otherwise connect fixture's ground wire directly to the Single bar with the green screw provided. After wires are connected, tuck them carefully inside the Junction Box.
7. Raise the fixture body on to the Junction box, aligning screws on single bar with mounting hole in canopy and lock it securely with the finial (G).
8. Install the light bulbs(not included) in accordance with the fixture specifications

**NOTE: DO NOT EXCEED THE SPECIFIED WATTAGE!**

**Your installation is now complete. Return power to the junction box and test the fixture.**

FIG.1

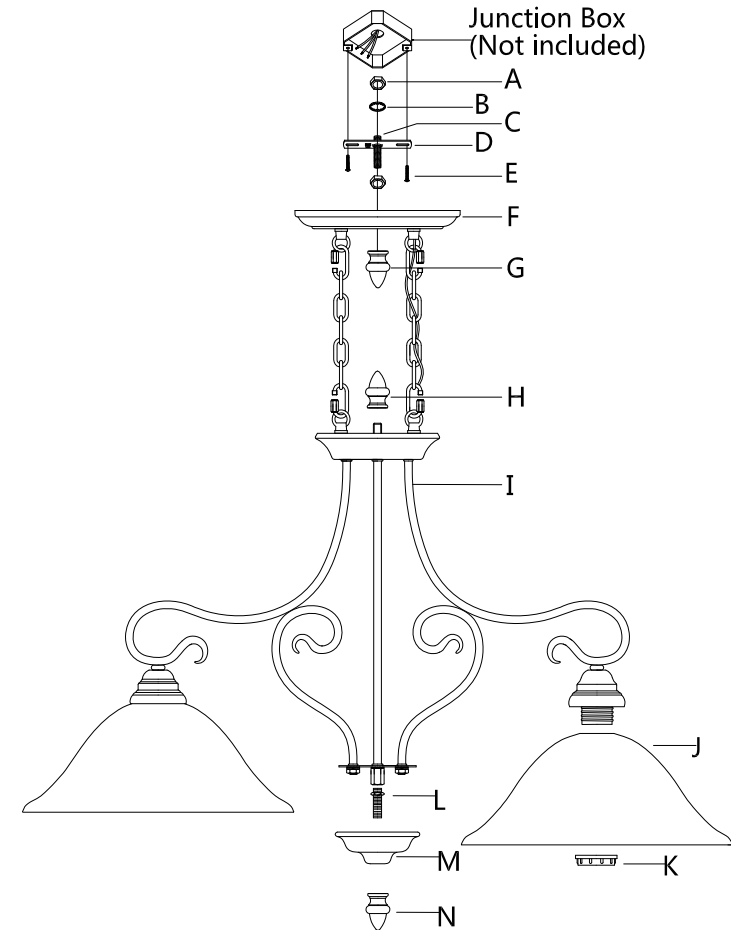


FIG.2

