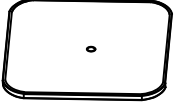

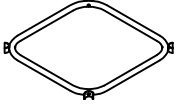
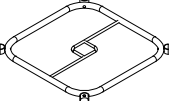
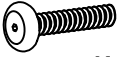






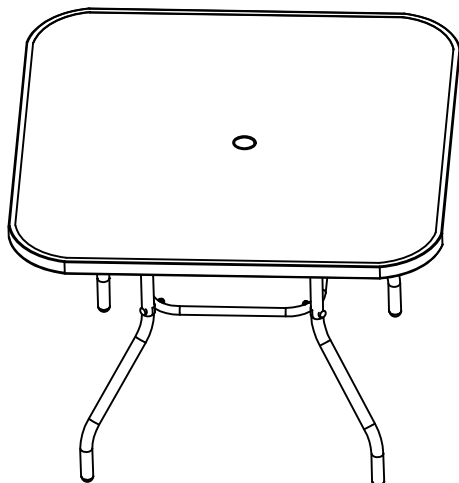


Package include:

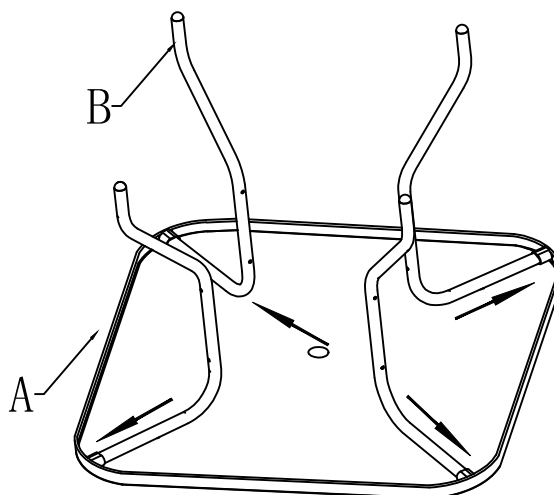
| | | |
|---|--|---|
| A |  | 1 |
| B |  | 4 |
| C |  | 1 |
| D |  | 1 |
| E |  M 6 * 5 0 | 8 |
| F |  | 8 |
| G |  | 8 |
| H |  | 8 |
| I |  | 8 |
| J |  | 1 |
| K |  | 1 |

Finish look.



Insert legs into the movable plastic cap, make sure the caps are on the center of each corner.

①



Do not screw in too tight yet while install part C. Keep adjusting the legs to the perfect position, then you may screw in part D and C all together tightly.

②

