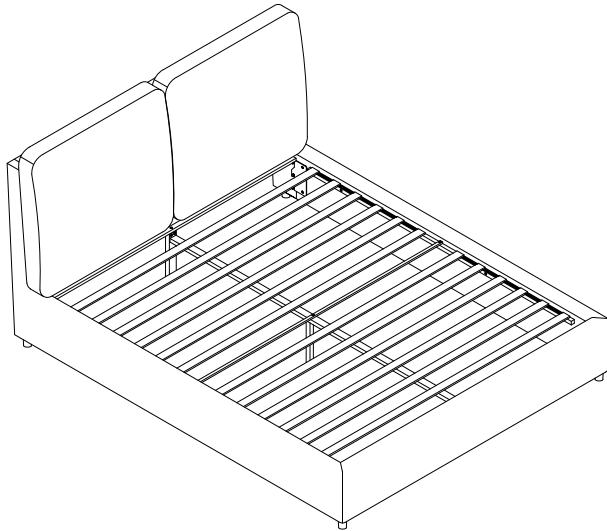


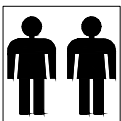
ASSEMBLY INSTRUCTION



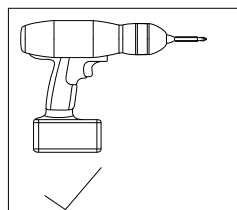
Please **TEAR OFF** this shrink film from side!
DO NOT USE CUTTER!

IMPORTANT NOTE

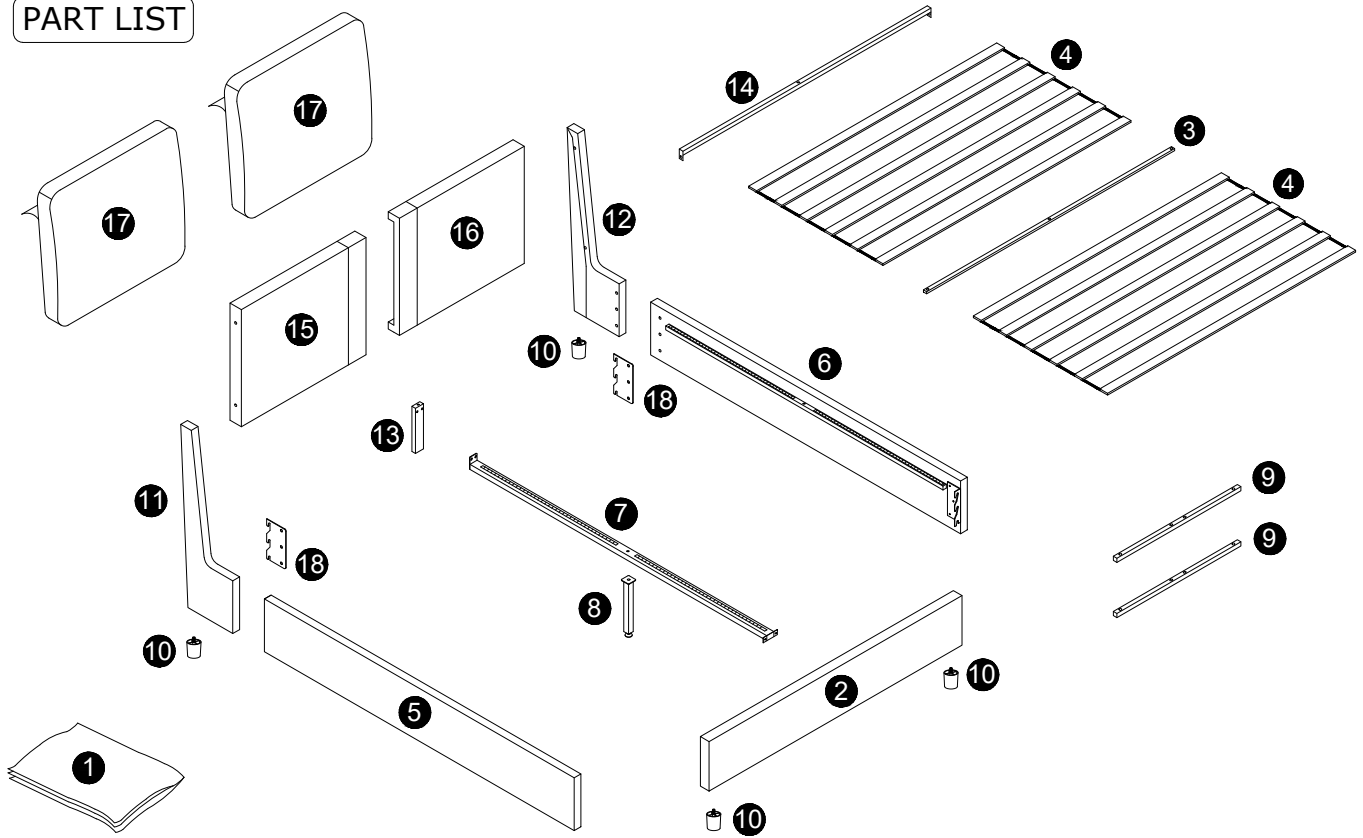
- 1. The product is shipped in two packages. Please check the number of packages received before assembly. If you are missing one package, receive a duplicate package, or have any assembly or after-sales issues, please contact.**
2. For the protection of your furniture, place all parts on a clean and smooth surface to prevent any damage.
3. Keep fittings out of children's reach and keep children well away from construction area.
4. When moving your assembled bed, it is best to lift the bed and never to drag it.
5. Do not use this product if parts are missing, damaged or worn.
6. This product should only be used on firm, level ground.
7. Please periodically check all fittings and re-tighten as necessary.
8. Do not use the bed unless all bolts and screws are firmly secured.

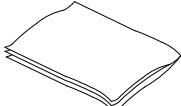
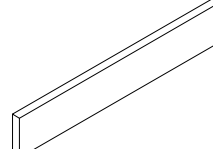
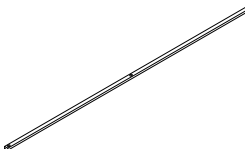
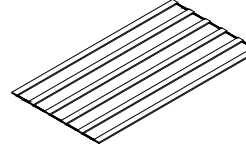
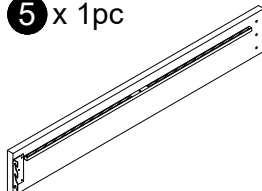
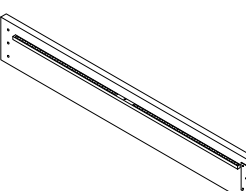


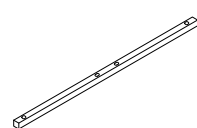




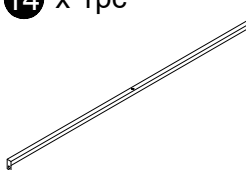
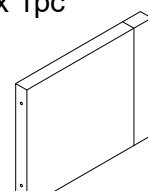
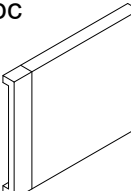
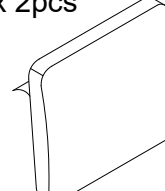
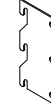


Minimum two
person assembly



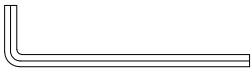
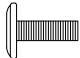
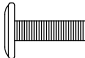




PART LIST



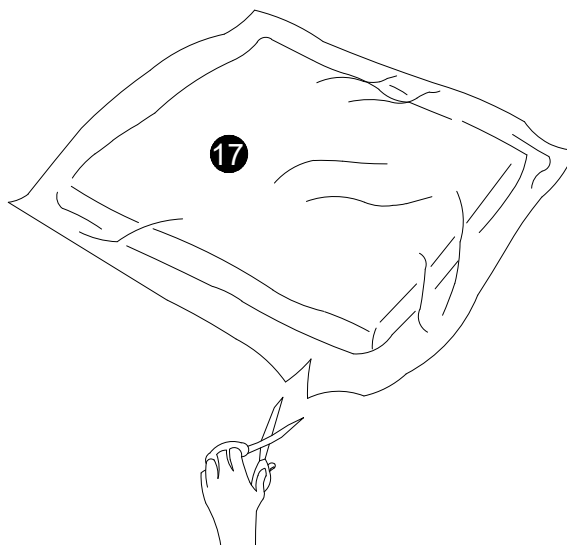
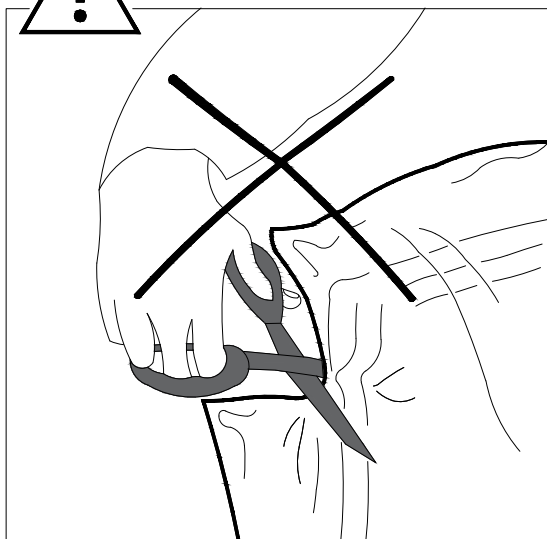
<p>1 x 1pc</p> 	<p>2 x 1pc</p> 	<p>3 x 1pc</p> 	<p>4 x 2pcs</p> 	<p>5 x 1pc</p> 
<p>6 x 1pc</p> 	<p>7 x 1pc</p> 	<p>8 x 1pc</p> 	<p>9 x 2pcs</p> 	<p>10 x 4pcs</p> 
<p>11 x 1pc</p> 	<p>12 x 1pc</p> 	<p>13 x 1pc</p> 	<p>14 x 1pc</p> 	<p>15 x 1pc</p> 
<p>16 x 1pc</p> 	<p>17 x 2pcs</p> 	<p>18 x 2pcs</p> 		

Please ensure to thoroughly inspect the small inner cardboard box containing the hardware, which are tied with a red string, before disposing of the box.

HARDWARE LIST

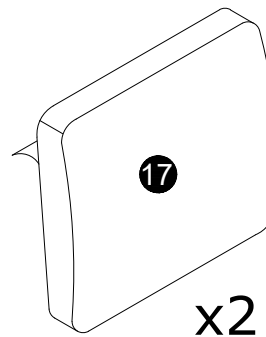
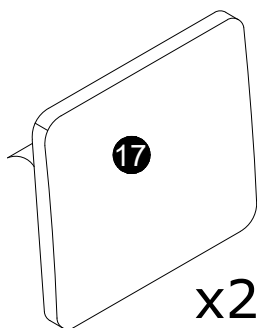
 H1 M5 x 1pc	 H2 M8x20mm x 12pcs	 H3 M8x30mm x 12pcs	 H4 M8x60mm x 1pc
 H5 M8 x 4pcs	 H6 M8x22mm x 12pcs	 H7 M8x45mm x 13pcs	

1



Open the vacuum-sealed bag, and be careful not to damage the product.

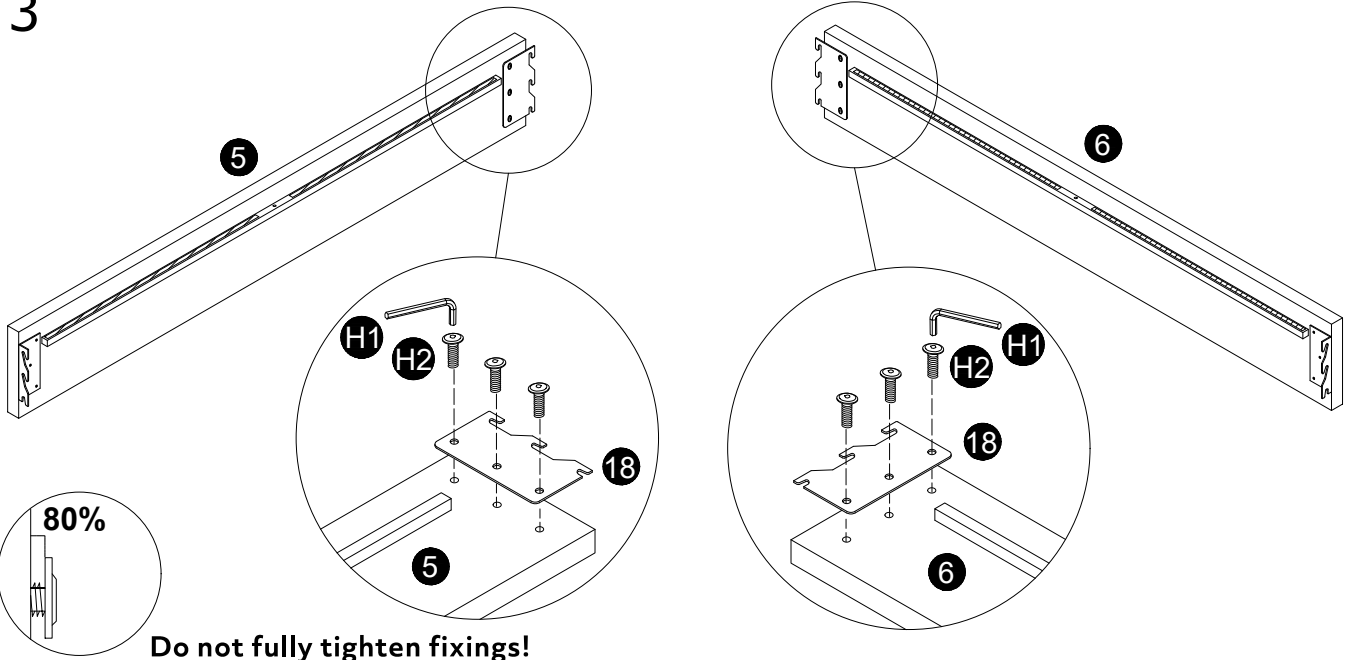
2



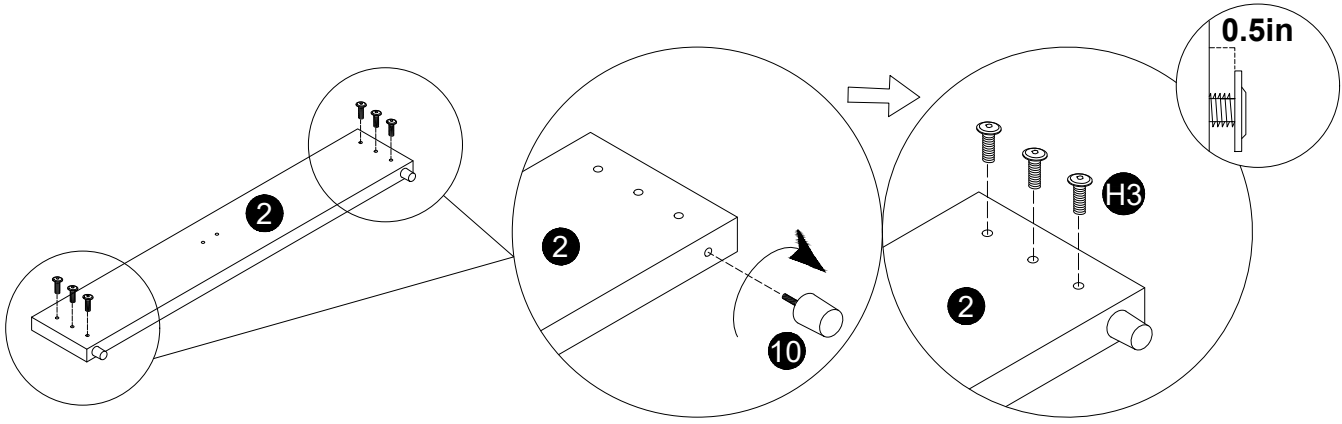
Let the expand and become fluffy

48h

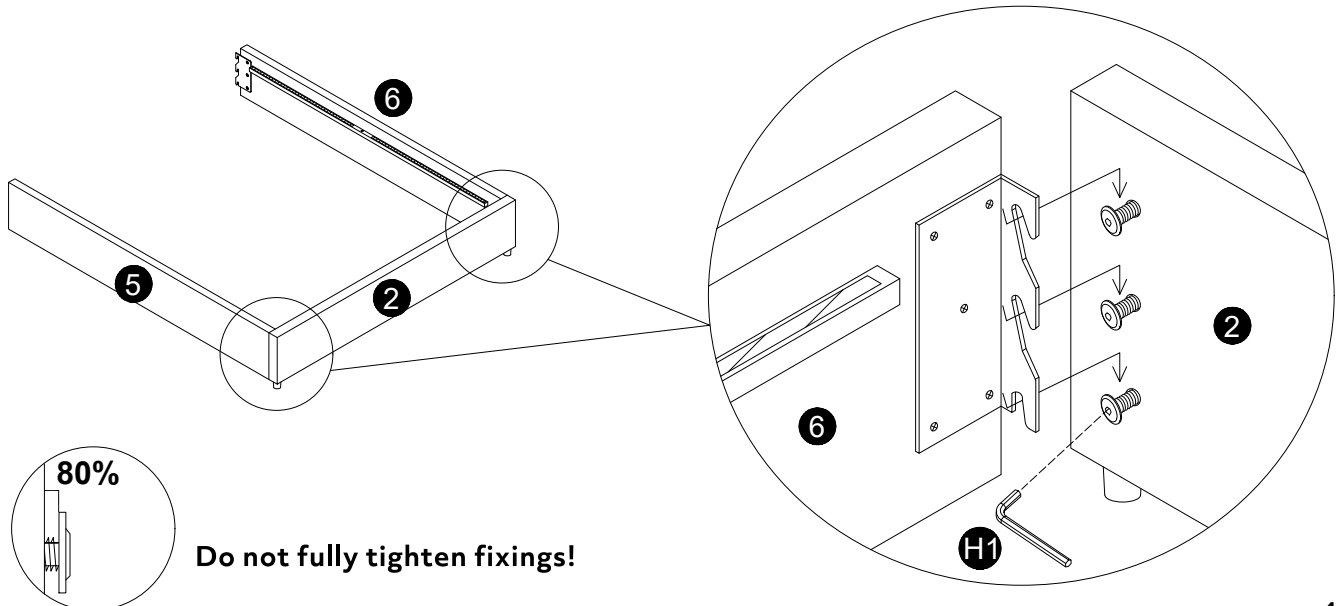
3



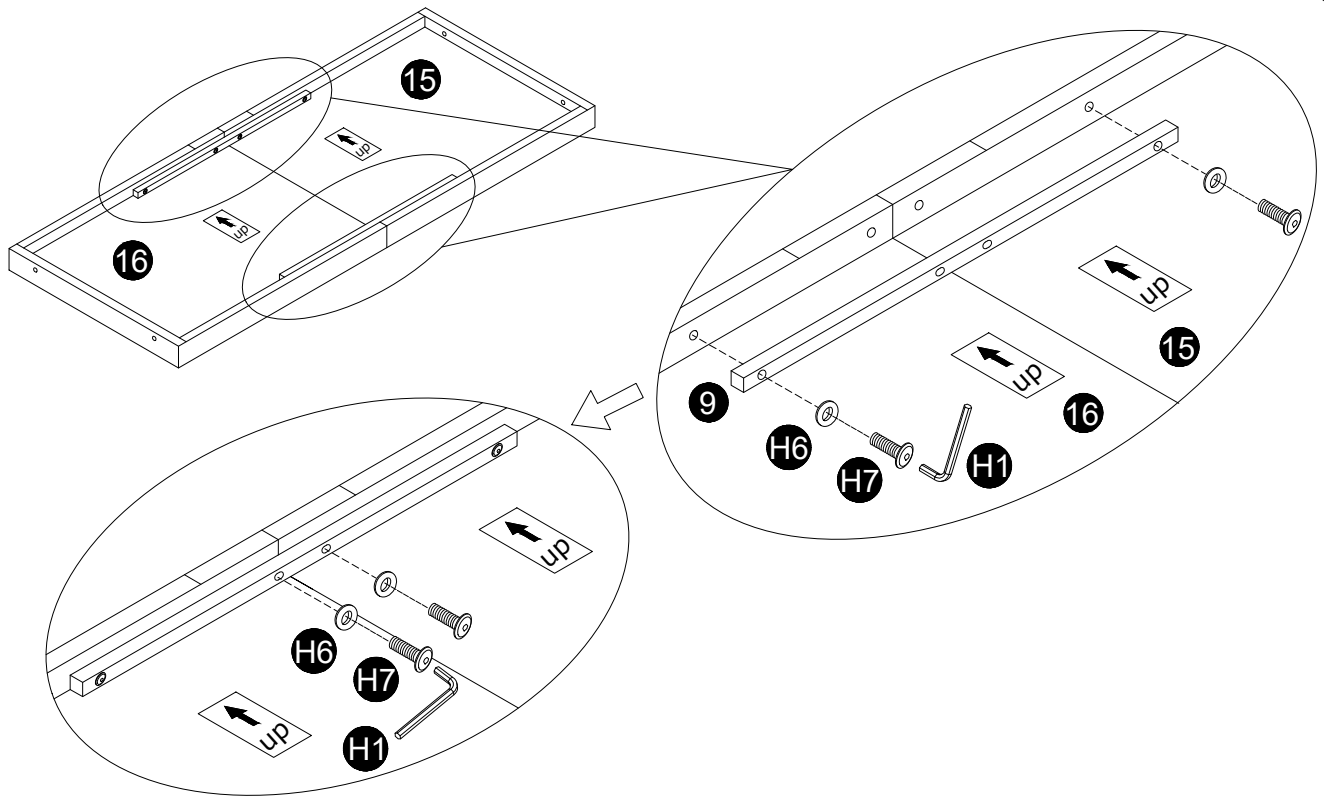
4



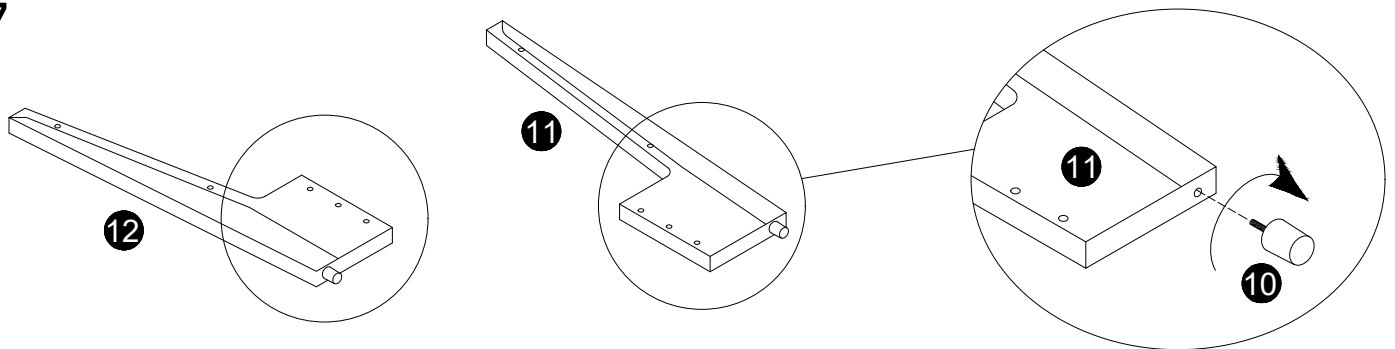
5



6

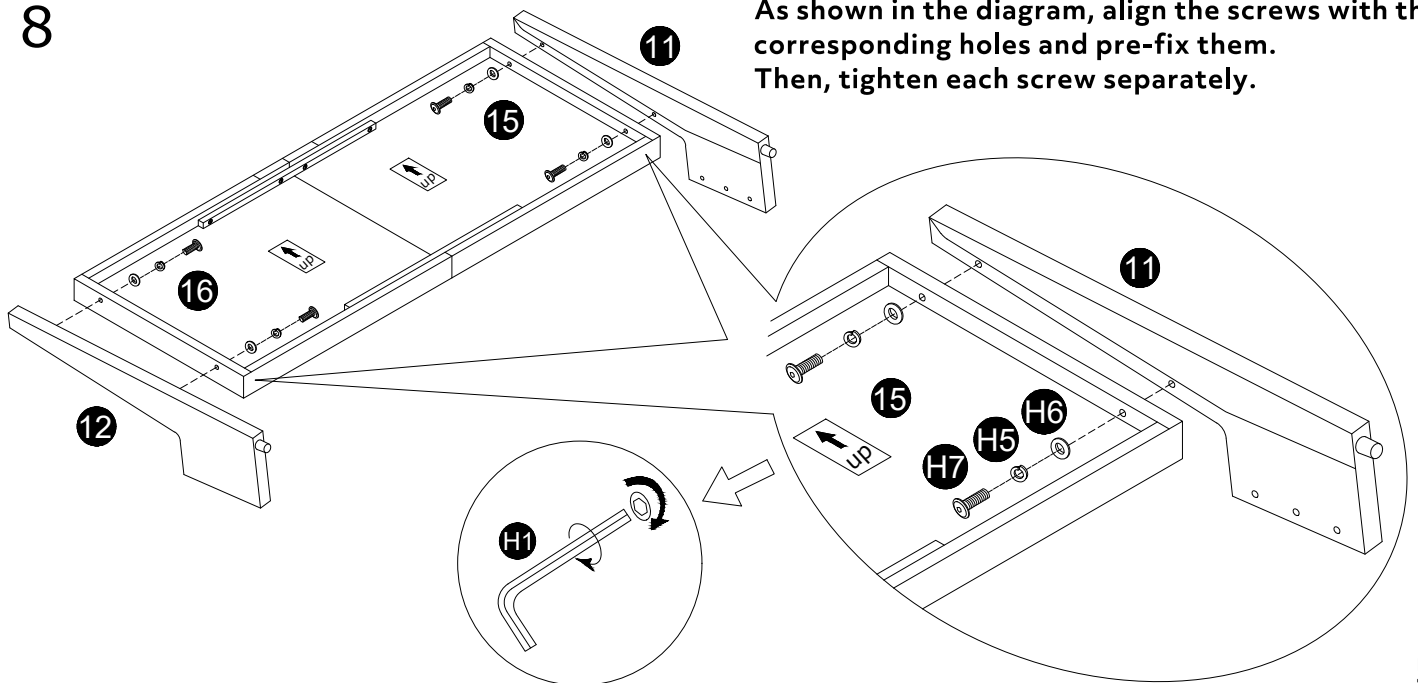


7

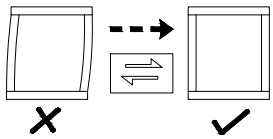
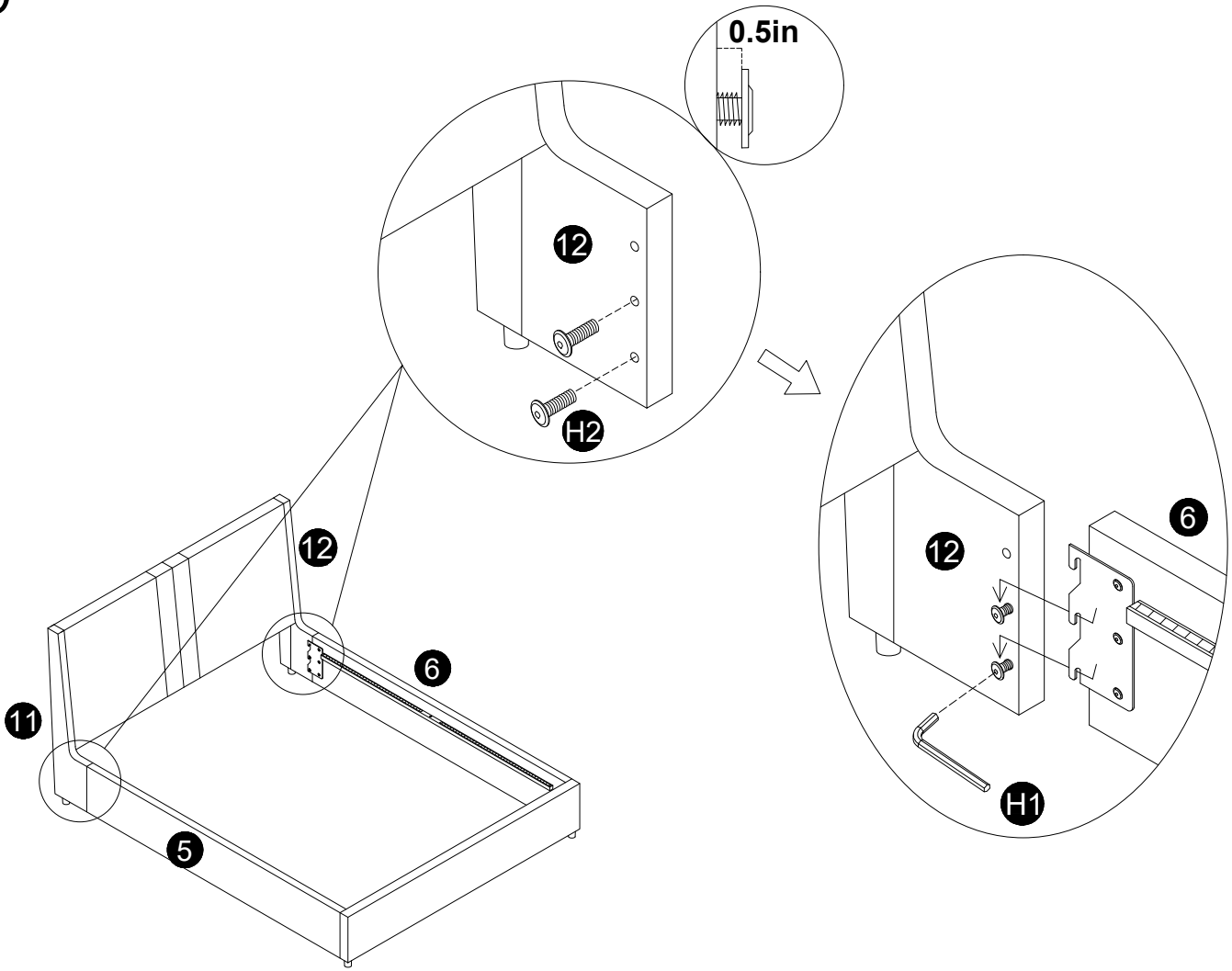


8

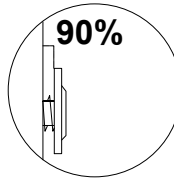
As shown in the diagram, align the screws with the corresponding holes and pre-fix them. Then, tighten each screw separately.



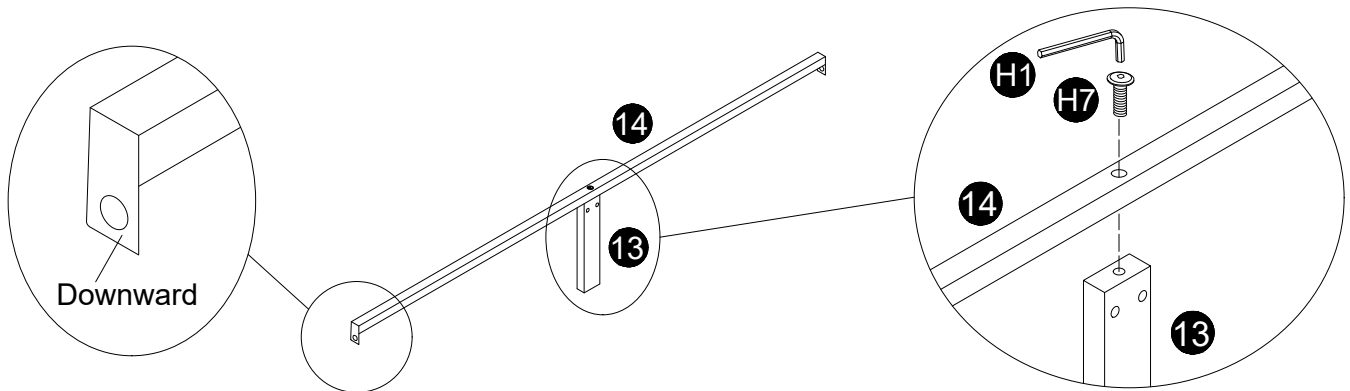
9



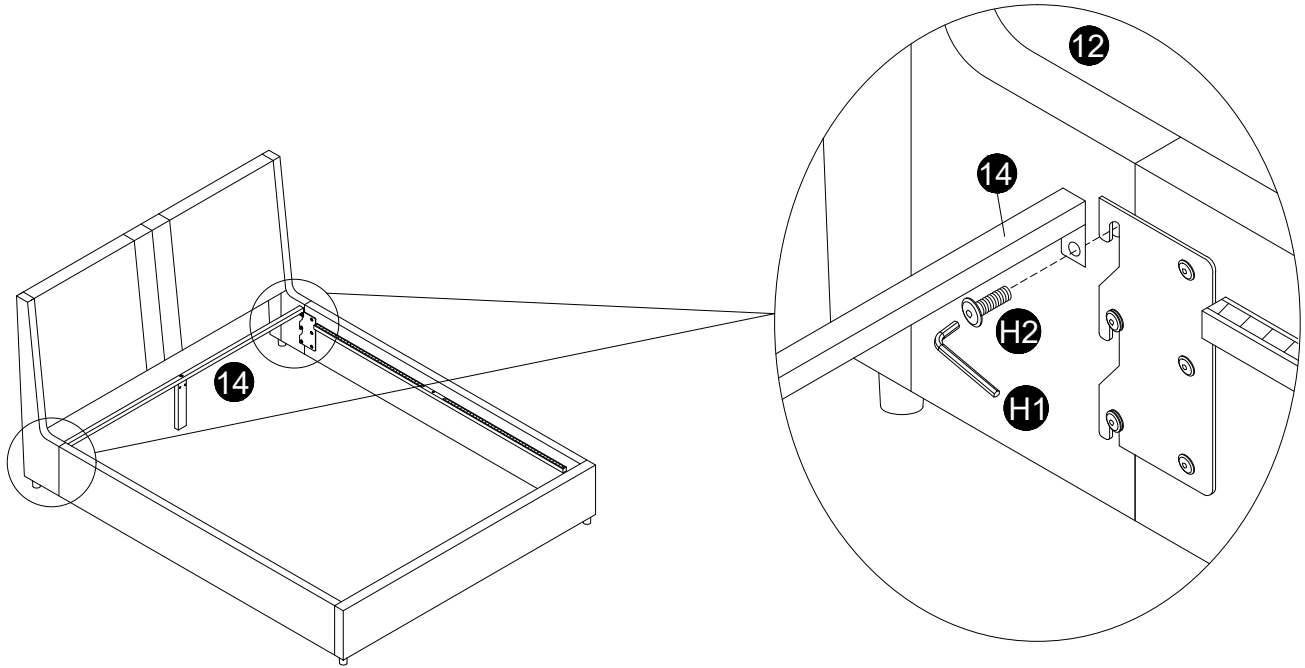
Make certain the bed is squared up as shown in the diagram then tighten all bed assembly bolts 90%.



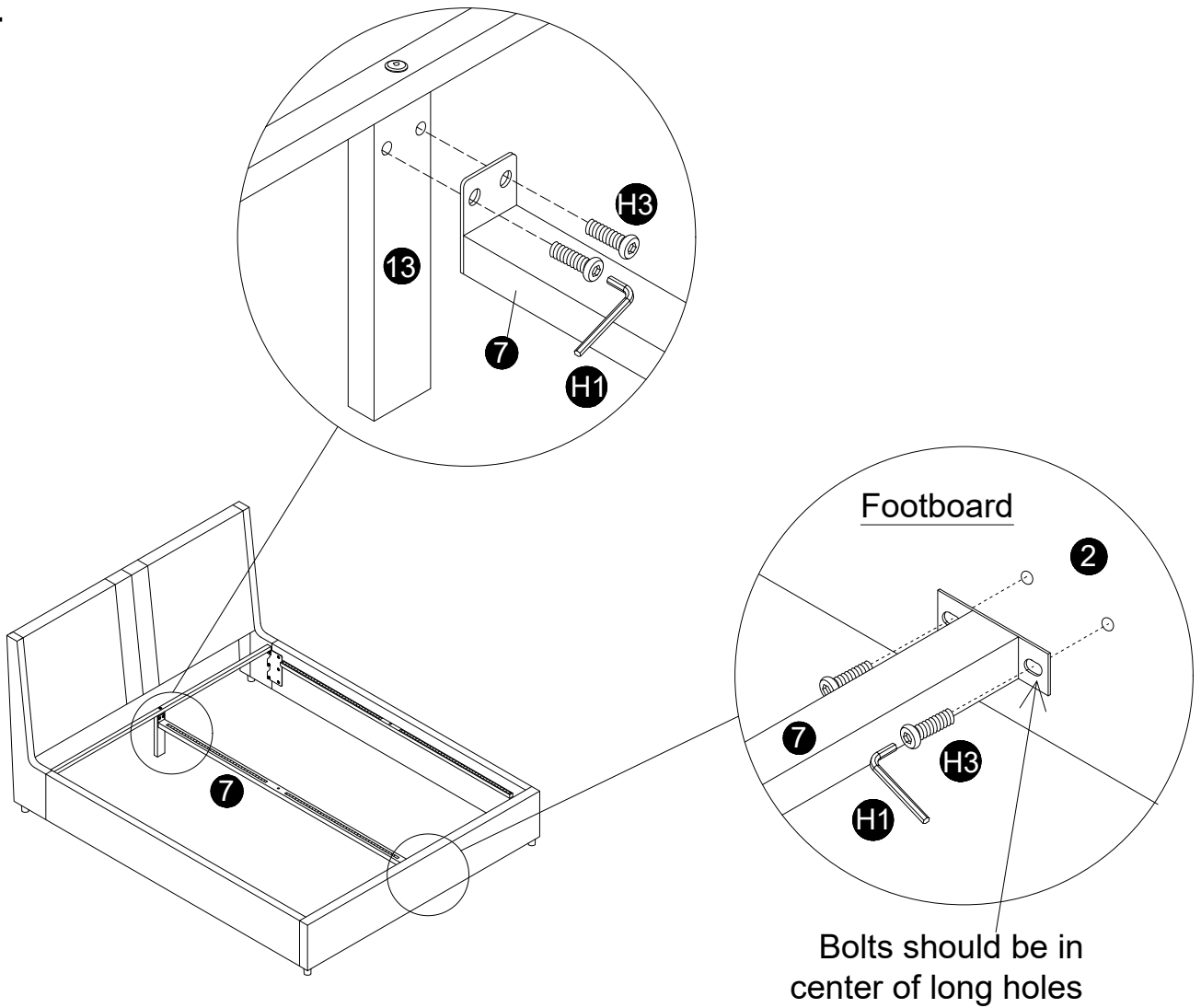
10



11

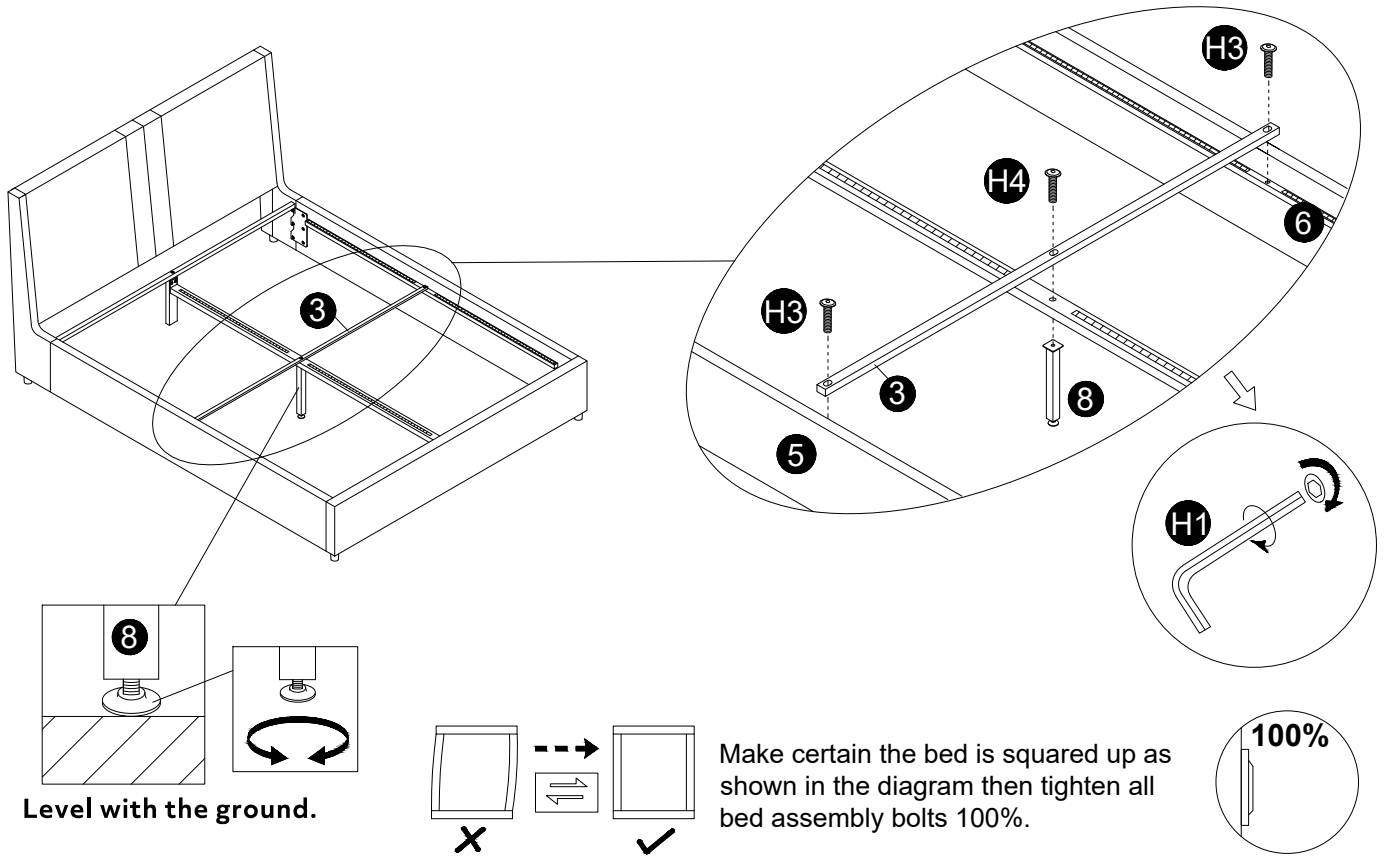


12

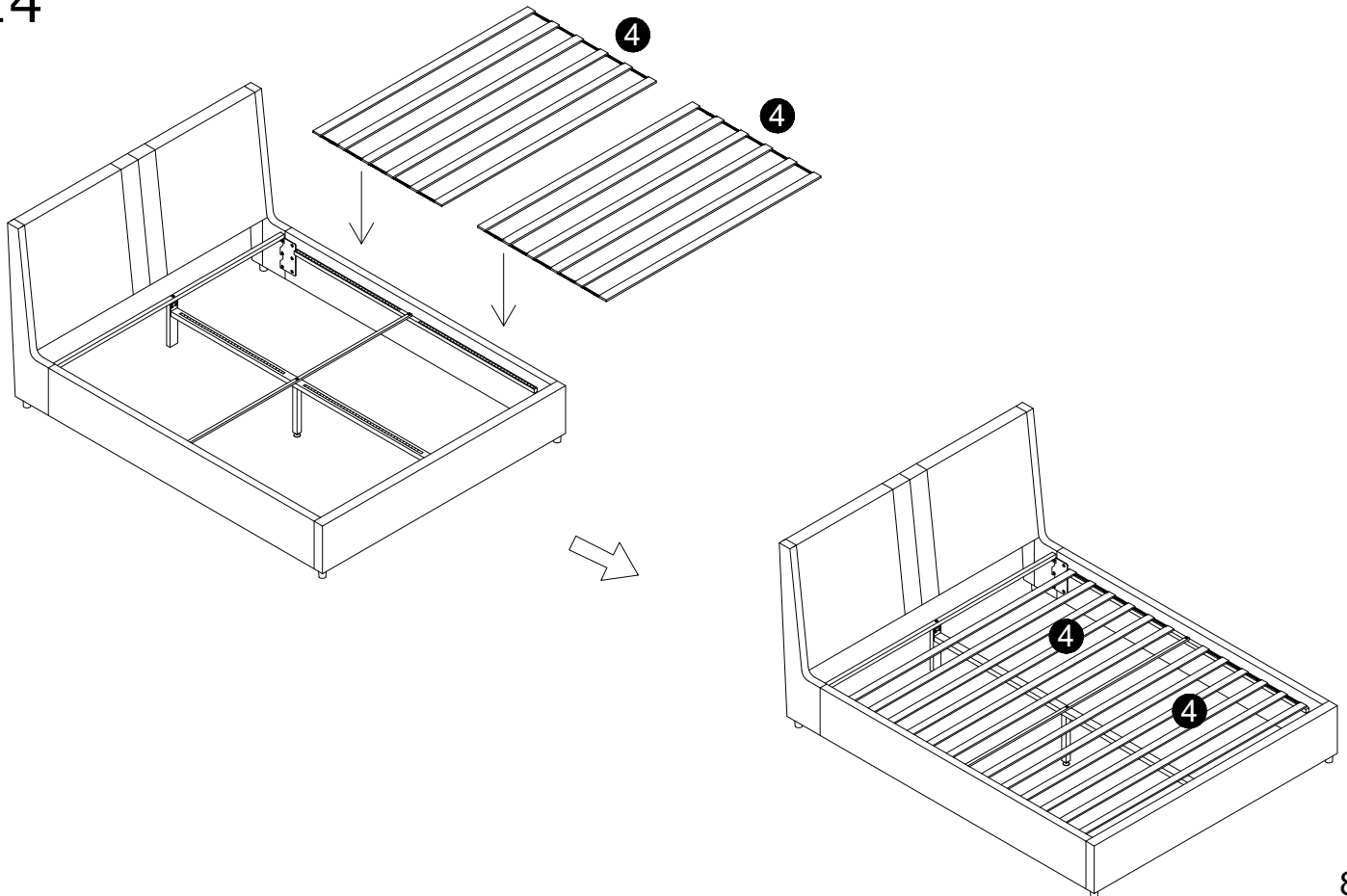


13

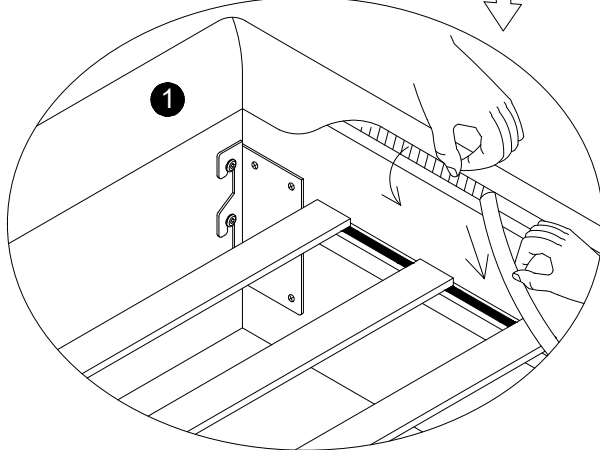
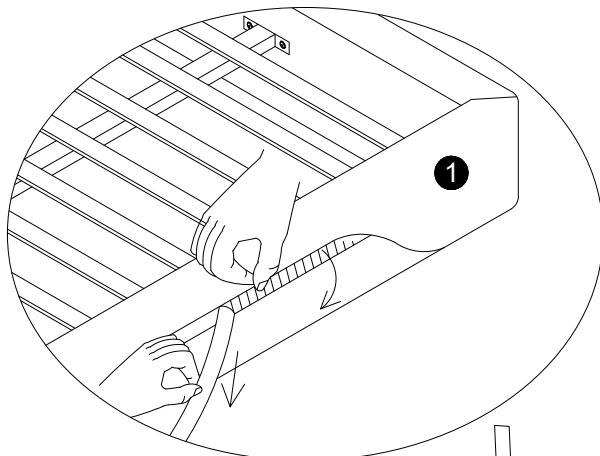
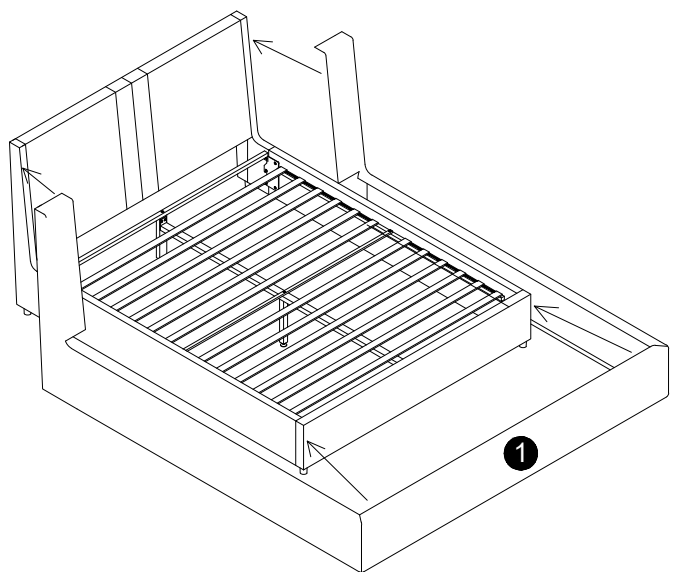
As shown in the diagram, align the screws with the corresponding holes and pre-fix them. Then, tighten each screw separately.



14



15 At the back of the Part 1, peel away the fabric strip covering the Velcro while pressing the Velcro firmly onto the footboard , side rail and headboard panel.



16

