





IMPORTANT INFORMATION

Seller and Manufacturer disclaim all and any liability for property damage, personal injury, or loss, direct, indirect, or incidental, resulting from the incorrect assembly, inadequate maintenance, improper use, or neglect of this product.



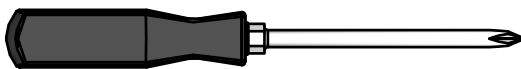
NOTICE

- Keep these assembly instructions for future reference.
- Do not use this product if there are missing, damaged, or broken parts until repairs are made and/or factory replacement parts are installed.
- Check all packing material carefully for small hardware that may have become loose inside the carton during shipment.
- Identify and count all hardware and parts to compare with parts and hardware list.
- Follow assembly instructions closely. Improper assembly can result in personal or property damage.
- Secure all bolts before use.
- Every 90 days check all bolts are secured.
- Some parts may have a sharp corner or edge and maybe heavy.
- Do not use or store this product near open flames or around flammable chemicals.
- When placing contents on non-carpeted flooring, it's recommended to use floor protection such as an area rug or furniture pads. These are not included with the purchase.

REPLACEMENT PART OR HARDWARE REQUEST:

Request a replacement by logging into the marketplace account in which the purchase was made and sending a message to the seller. To assist in expediting the request attach applicable images relevant to the request and/or part number and quantity.

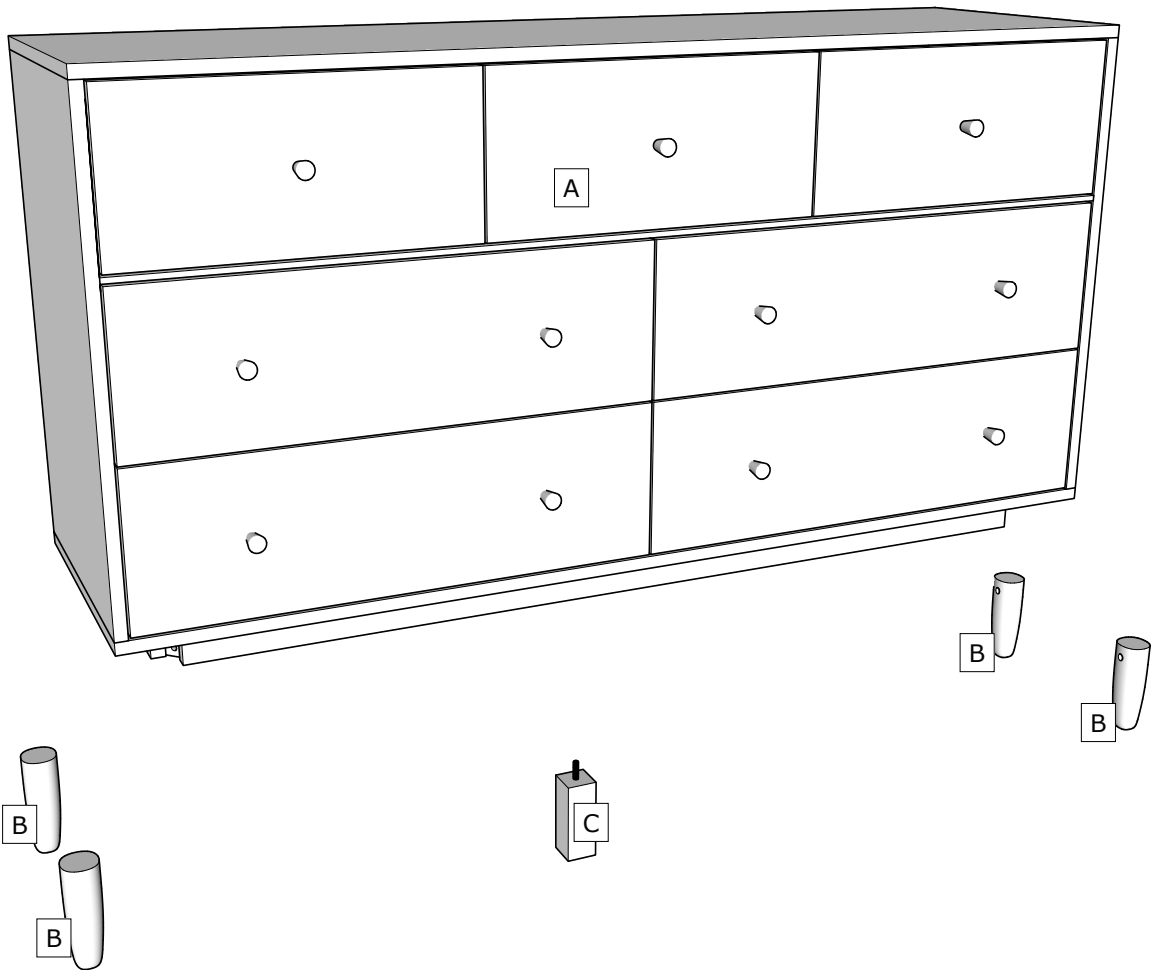
ADDITIONAL TOOL REQUIRED:



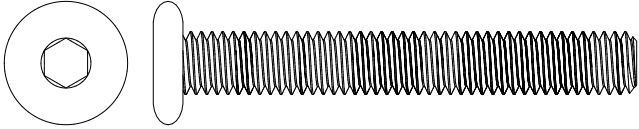
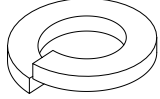
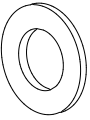

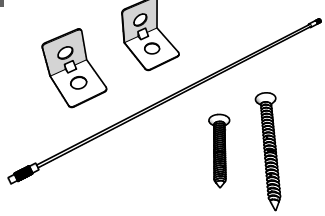
**#2 Philips Screwdriver
(Not Provided)**

PARTS

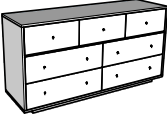
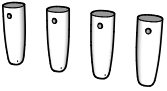
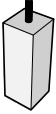
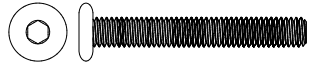



- A.....Dresser..... x 1
- B..... Leg x 4
- C..... Center Support Leg x 1

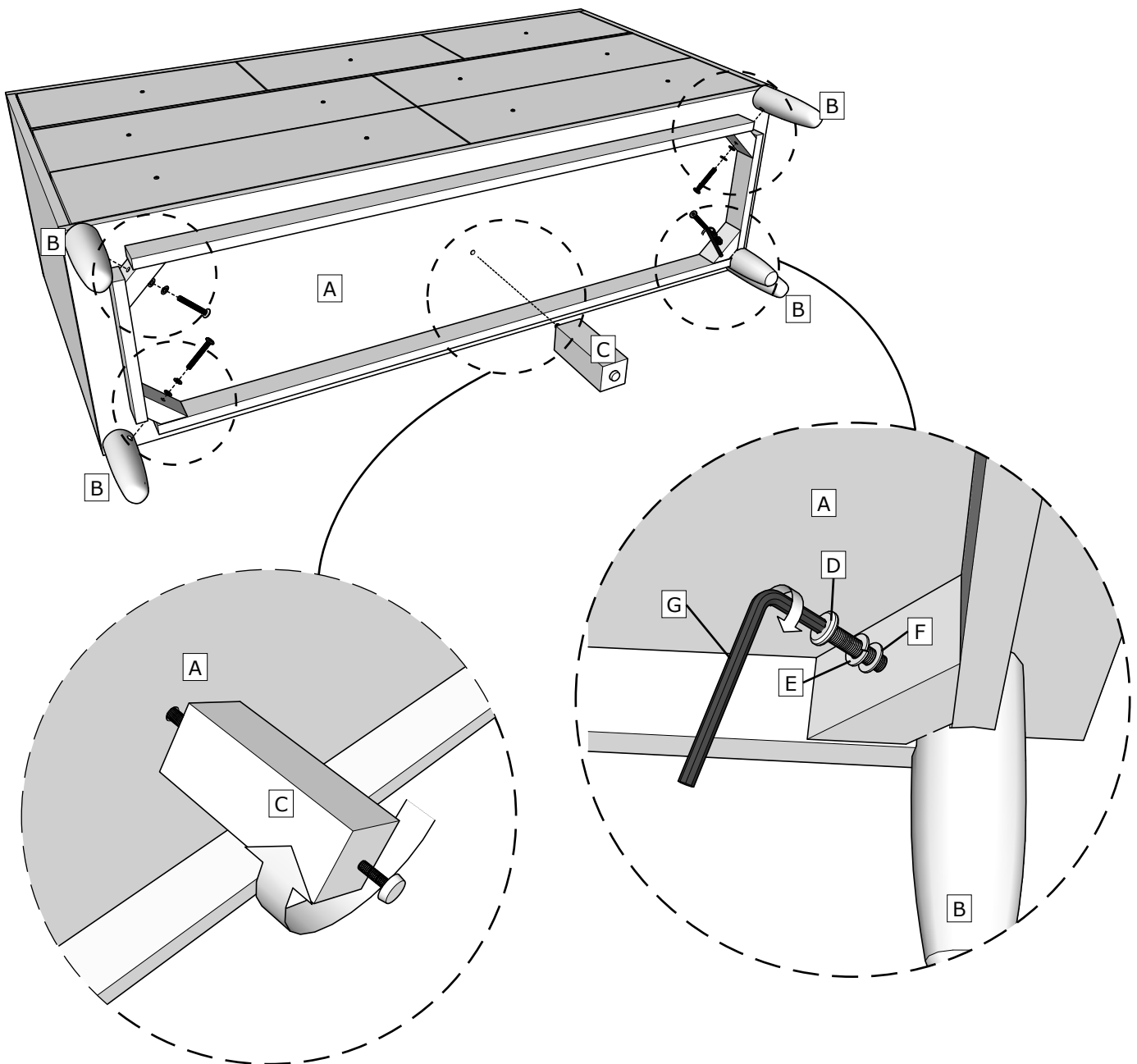


HARDWARE

<p>D Bolt x 4</p>  <p>M6 x 60mm</p>	<p>E Lock Washer x 4</p>  <p>M6 x 13mm</p>	
<p>F Flat Washer x 4</p>  <p>M6 X 16mm</p>	<p>G Hex Key Wrench x 1</p>  <p>M4</p>	<p>H Anti-Tip Kit x 1</p> 

ASSEMBLY STEP 1

A Dresser x1 	B Leg x4 	C Center Support Leg x1 	D Bolt x4  M6 x 60mm
E Lock Washer x4  M6 x 13mm	F Flat Washer x4  M6 x 16mm	G Hex Key Wrench x1  M4	



Attach **B** to **A** with **D**, **E**, and **F** using a Hex Key Wrench **G**.
Attach **C** to **A** by turning clockwise to tighten.

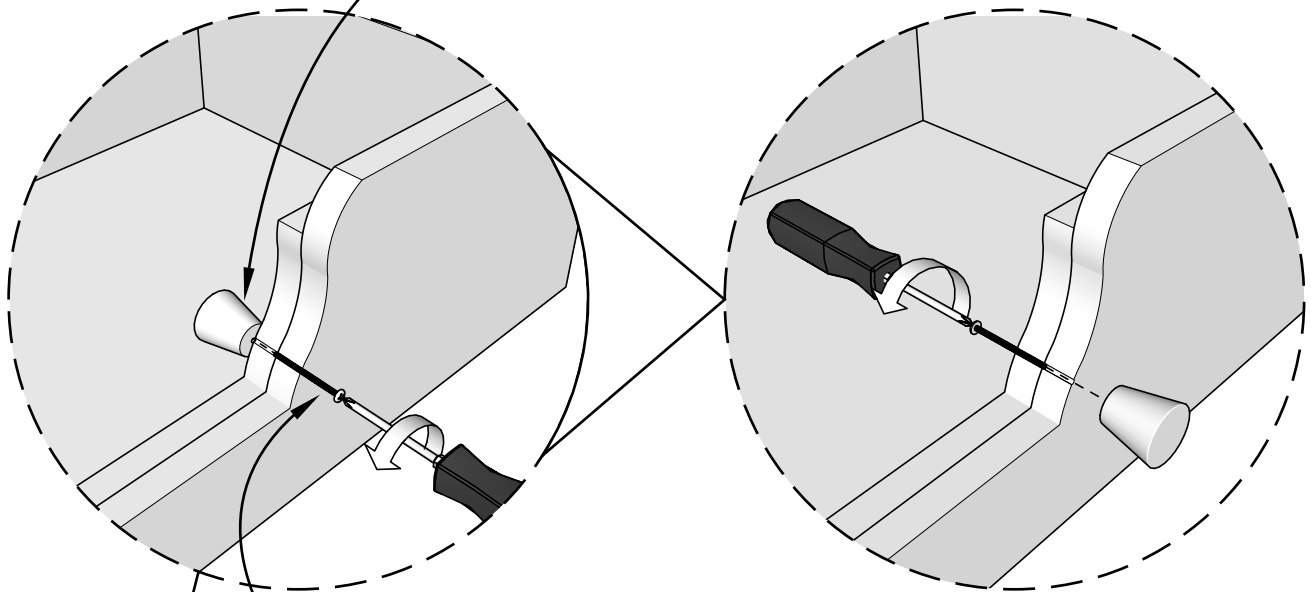
ASSEMBLY STEP 2

Philips Screwdriver

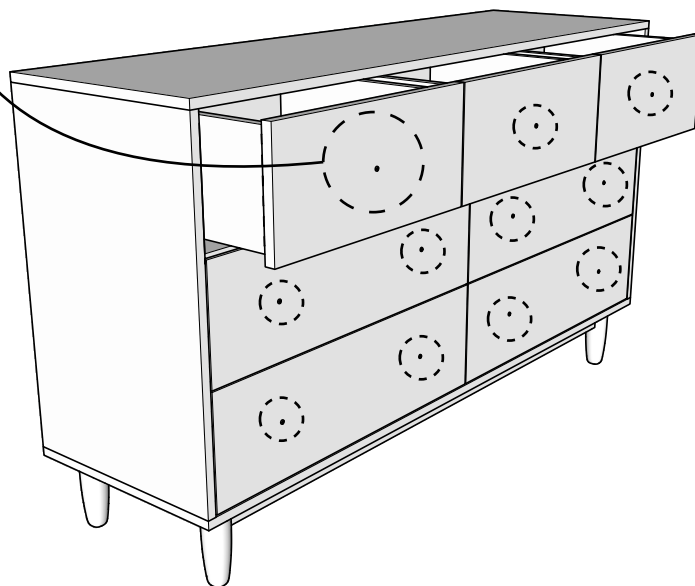


Not provided

Handle Knob
(Pre-attached and reversed on Nightstand)

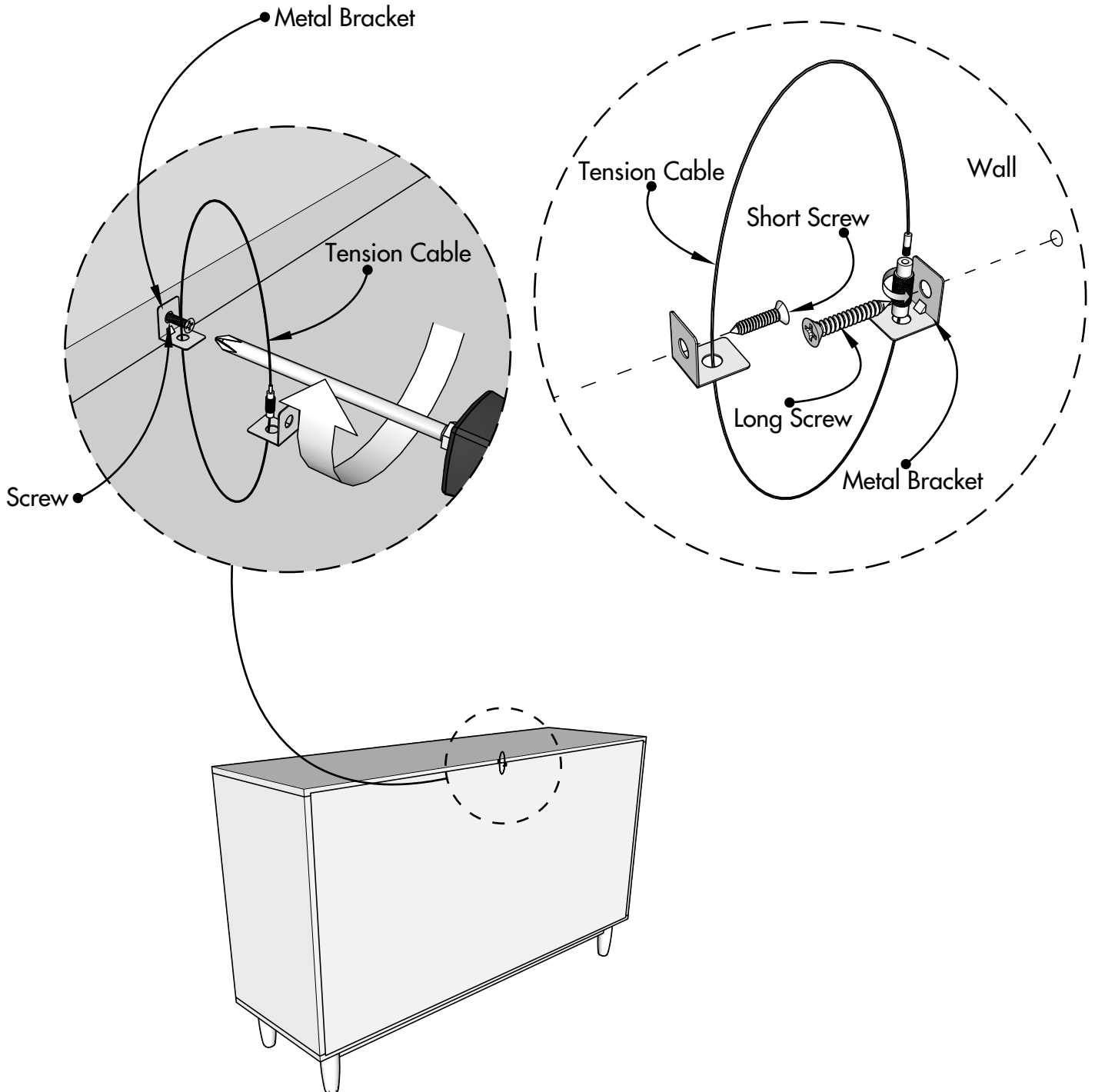
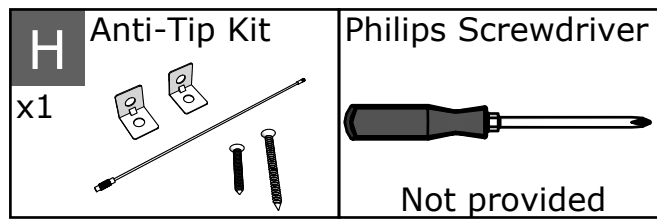


Handle Screw
(Pre-attached on interior of drawer)



Unscrew Handle Screw found on interior of Night Stand Drawer and re-attach to exterior as shown.

ASSEMBLY STEP 3



Attach one Metal Bracket at the back of the Dresser and the other one on the wall
Insert Tension Cable on the holes of Metal Bracket as shown.