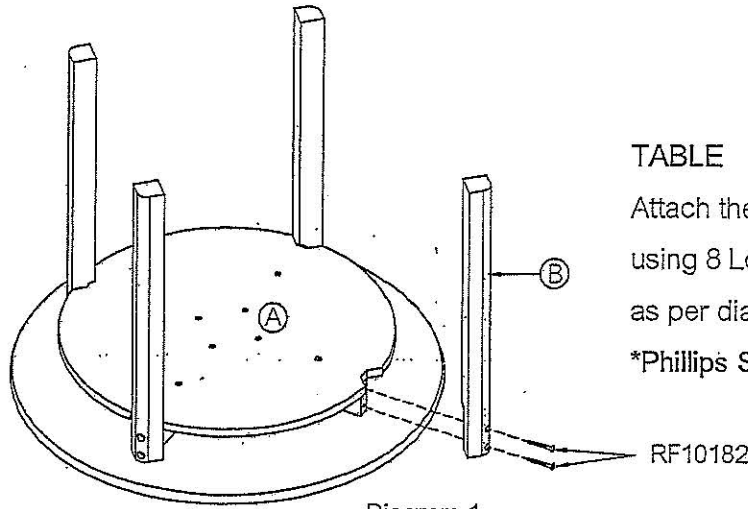
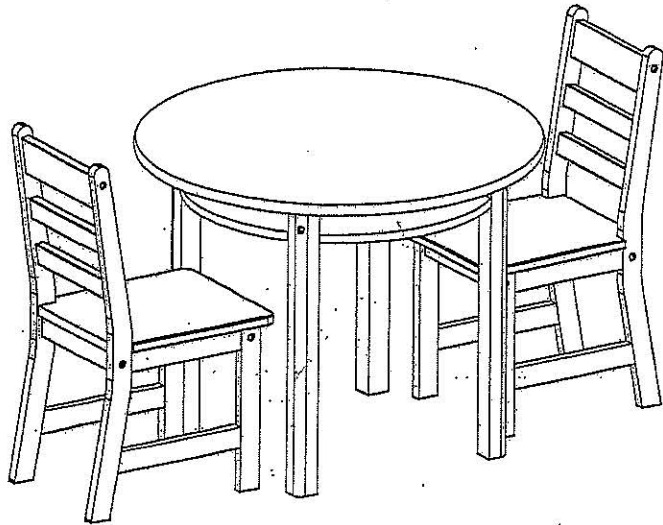


Assembly Instruction Sheet

Round Table W/2 Chairs

RECOMMENDATION:
 FOR EASIER ASSEMBLY OF TABLE
 LEGS TO TABLE TOP, ROLL
 SCREW THREADS OVER WET/SOFT
 BAR OF SOAP.



TABLE

Attach the 4 Legs (B) to the Table Top (A) using 8 Long Phillips Screws (RF10182) as per diag. 1.

*Phillips Screwdriver not include.

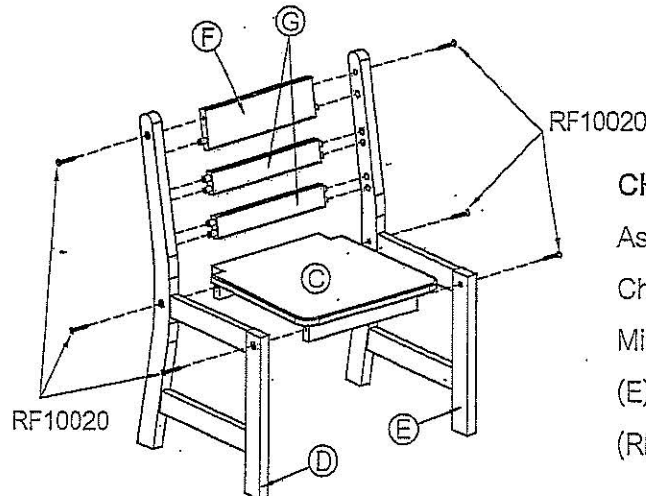
Diagram 1.

List of Parts

Parts	Description	Q'ty
A	Table Top	1
B	Leg	4
C	Seat	2
D	Chair Left Frame	2
E	Chair Right Frame	2
F	Top Back Rest	2
G	Middle Back Rest	4

List of Hardware

Parts	Description	Q'ty
RF10020	Short Allen Screw	12
RF10182	Long Phillips Screw	8
RF40015	Allen Wrench	1



CHAIR

Assemble each chair by attaching Seat (C), Chair Left Frame (D), Top Back Rest (F), Middle Back Rest (G) and Chair Right Frame (E) together using 6 Short Allen Screws (RF10020) as per diag. 2.

Diagram 2.

CAUTION: Hardware Assembly Package Contains Small Parts
 Adult Assembly Required