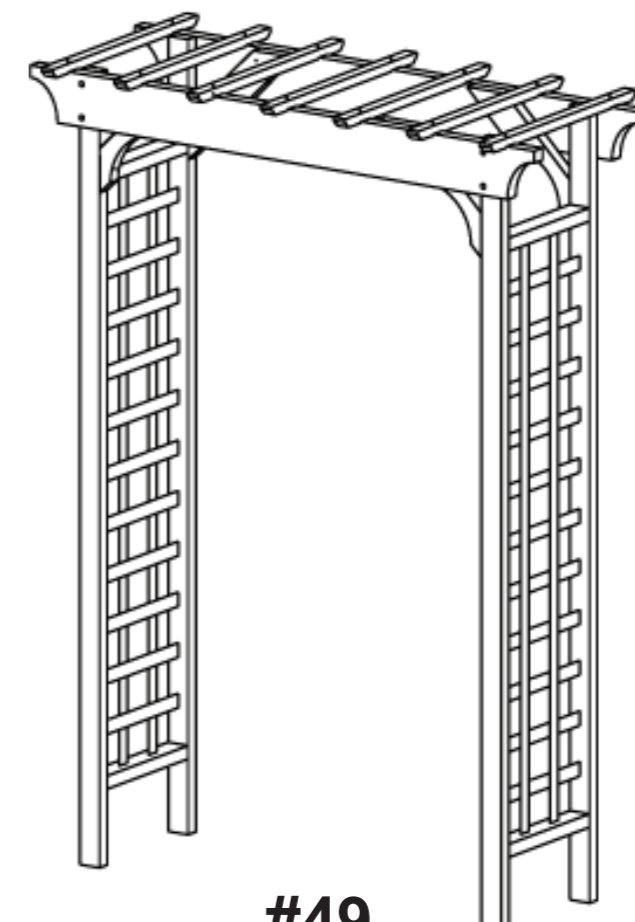
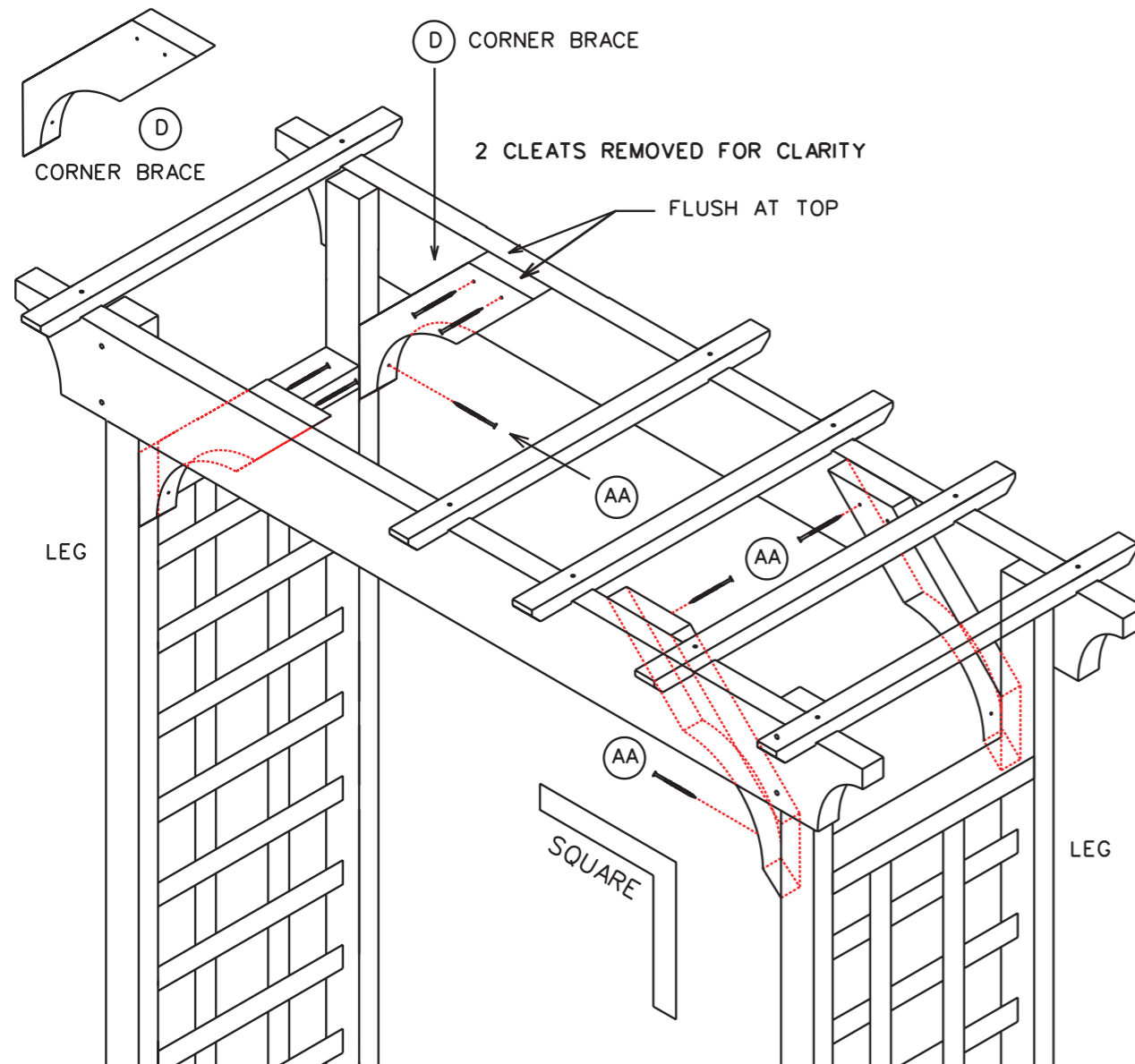


### STEP #3 Attach Corner Brace (D) to Leg (A) & Rail (B)

- ① Position the Corner Brace (D) so that it is flush at the top with the Top Rail and tight against the Leg (A)

Be sure that the unit is square before attaching the Corner Braces (D)

- ② Secure the 4 Corner Braces using 12 wood screws (AA)



**#49**

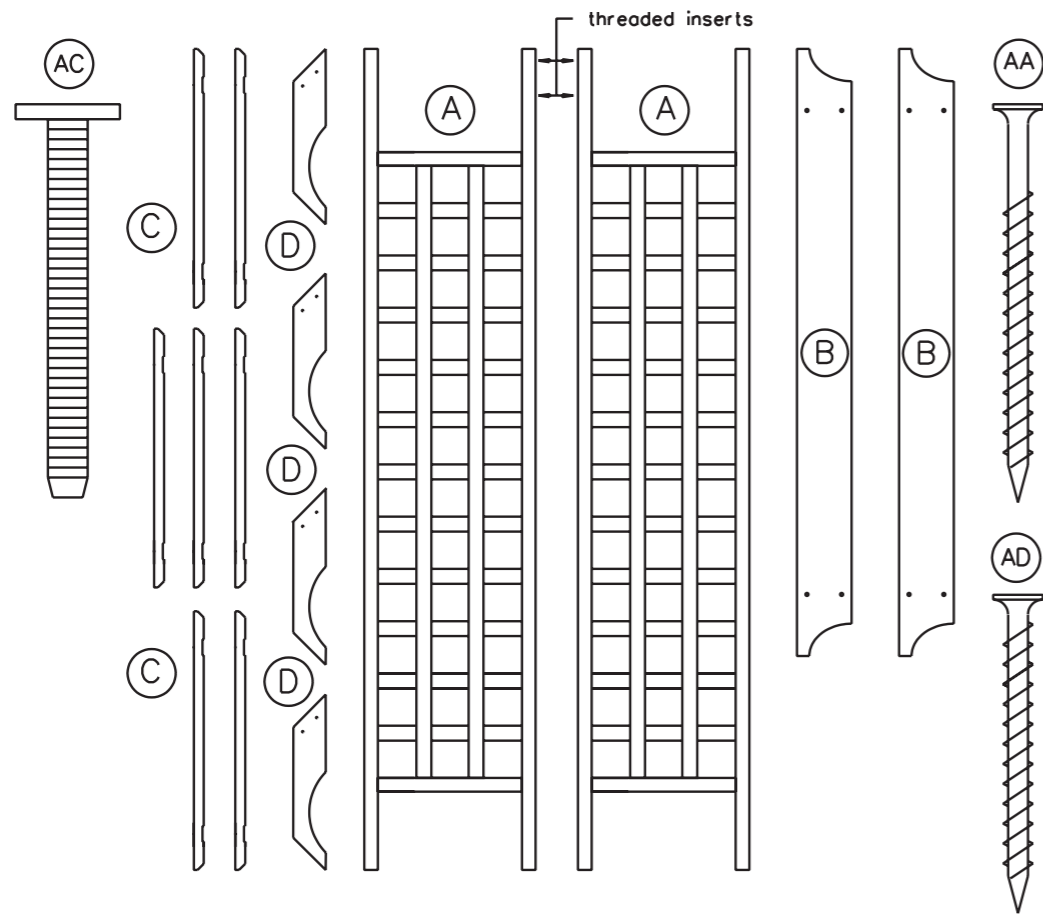
**CONGRATULATIONS!**

You have just purchased a quality garden product from *Greenstone Garden Structures*. Please examine the contents of your package carefully before assembly. If any parts are missing, **DO NOT RETURN THIS PRODUCT OR CALL THE RETAILER**. Please contact *Greenstone Garden Structures* directly at **530-626-4492**

Greenstone Enterprises, LLC  
6100 Enterprise Dr. Unit I, Diamond Springs, CA 95619  
[www.greenstonewholesale.com](http://www.greenstonewholesale.com)

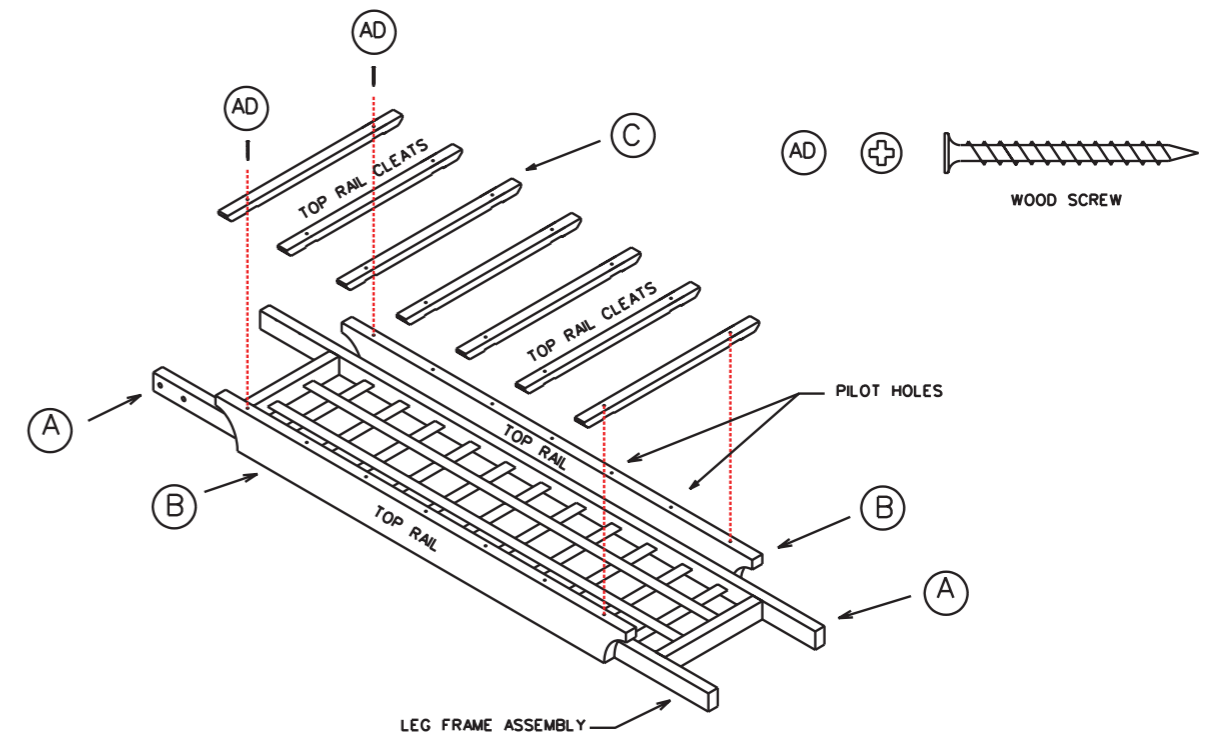
# #49 ARBOR PARTS LIST

Item #	Description	Qty	Part No.
(A)	LEG FRAME ASSEMBLY	2	49-240
(B)	TOP RAIL	2	49-260
(C)	TOP RAIL CLEAT	7	49-261
(D)	CORNER ANGLE BRACE	4	49-262
(AA)	WOOD SCREW - 2-1/2" - (STEP #3)	12	991725
(AC)	MACHINE BOLT - 2-3/8" - (STEP #2)	8	991733
(AD)	WOOD SCREW - 2" - (STEP #1)	14	991719
(AF)	THREADED INSERTS - INSTALLED AT FACTORY	8	991764



## STEP #1 Attach Top Rail Cleats (C) to Top Rails (B)

- Using one of the Leg Frame Assemblies (A) as a spacer, position the 2 Top Rails (B) as shown.
- Secure the 7 Cleats (C) to the Top Rails using 14 Wood Screws (AD).  
Pilot holes have been provided to locate the Top Rail Cleats.  
Be sure that the Cleats are square (90°) to the Top Rails before tightening all of the screws.



## STEP #2 Attach Leg Assemblies (A) to Top Rails (B).

- Position the assembly from Step #1 as shown.
- Attach the Leg Assemblies to the Top Rails using 8 bolts (AC).  
Note: Be sure that the Legs are square to the Rails and that the lattice is positioned as shown before tightening the bolts.

