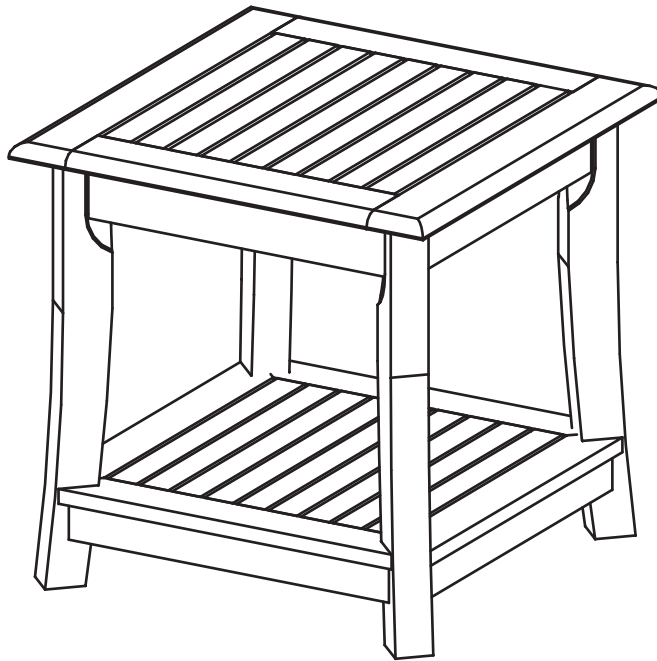


ASSEMBLY INSTRUCTIONS

---

# TEAK SIDE TABLE WITH SHELF



Scan me for assembly video  
*A gift is waiting for you!*

Customer Service Information

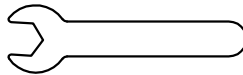
## GENERAL INFORMATION & TIPS

1. Please read the assembly instructions prior to assembling the Table.
2. To avoid damage, assemble the table on a non-abrasive surface such as carpet.
3. Make sure all nuts tightly fastened before the table is used.
4. This table is not for commercial use.

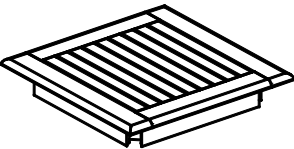
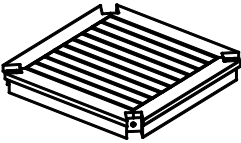




Please make sure you have all parts before beginning assembly. Please wait until all steps are completed before tightening nuts.

### TOOLS REQUIRED

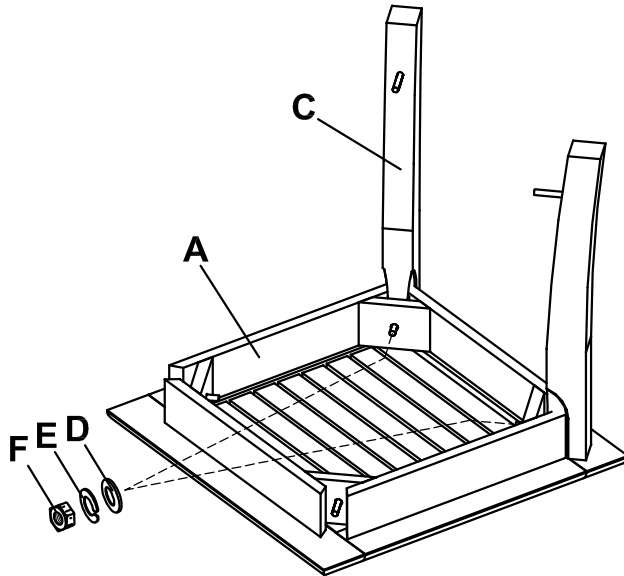
1. Wrench (Provided).  
- For tightening all nuts.



## PARTS AND HARDWARE LIST

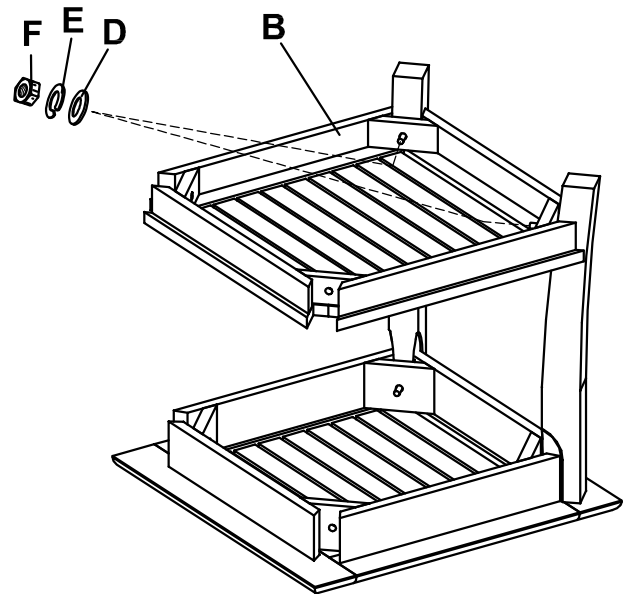
A. Table Top	B. Tray	C. Leg	D. Washer
			
Qty : 1 Pc	Qty : 1 Pc	Qty : 4 Pcs	Qty : 8 Pcs + 1
E. Spring Washer	F. Nut		
			
Qty : 8 Pcs + 1	Qty : 8 Pcs + 1		

## STEP 1



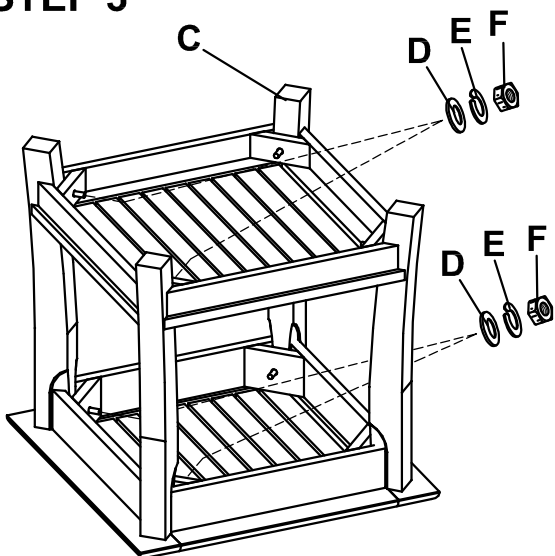
- Put the table top (A) face down in clear flat surface.
- Attach 2 pcs legs (C) to the table top (A) and secure each leg with washer (D), spring washer (E) and nuts (F).
- Do not fully tighten all nuts yet.

## STEP 2



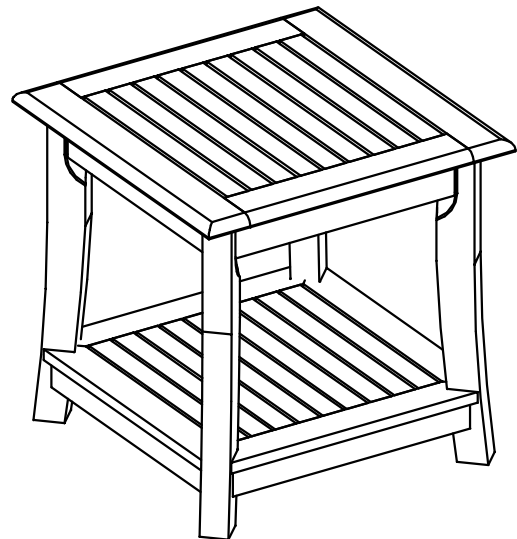
- Attach the tray (B) to the legs (C) and secure with washer (D), spring washer (E) and nuts (F).
- Do not fully tighten all nuts yet.

## STEP 3



- Attach the other legs (C) into the table top (A) and tray (B) as diagram shown.
- Secure the legs (C) with washer (D), spring washer (E) and nuts (F).
- Tighten all nuts using wrench.

## STEP 4



- Upright the table.
- Make sure all parts are correctly connected and tighten all bolts using wrench .

**CONGRATULATION !**

THE BENCH IS NOW READY FOR USE.

# CARE MAINTENANCE

Due to teak wood's natural characteristics, wood color and grain variations may be present. This is a symbol of the originality of each unit and gives each finished piece a distinctive look and inherent charm.

## UNFINISH NATURAL TEAK WOOD

Teak Wood, when left bare and unfinished, will naturally fade to a silver-gray color. This transformation does not in any way affect the functionality and durability of the furniture.

It is recommended to sand the furniture in regular interval to maintain a smooth finish. This will also reduce the potential in wood splinter and other hazard. For customer who would like to maintain the original golden-brown color, one may best apply teak oil or other compatible clear protective coating. Please follow the recommendation of the protective coating manufacturer in both application and the frequency.

Teak wood is a living material that breathe and change over time. If you choose to maintain the smooth golden-brown finish, it will require regular maintenance, such as sanding and reapplication of protective coating. We hope that will be a rewarding experience, as a well-maintained teak furniture may last many years to come.

***Please note, once you stain your teak, it will not return to the natural golden brown or weathered silver-gray color without sanding off the stain. Staining is intended to be permanent. If you choose to stain your furniture after it has turned silver-gray, you must first sand it before applying the stain.***

## FINISHED TEAK WOOD

Finished Teak Wood may be maintained with solvent-based polyurethane protective coating every six (6) months, or as suggested by the protective coating manufacturers.

For everyday maintenance, you may clean with mild detergent using clean cloth. Please do not expose and/or use any chemical solvent.

## FINISHED WOOD

- a. Recommend for every period of 6 months to apply water-based mild detergent for wood using clean cloth.
- b. Do NOT expose to chemical solvent

## CUSHIONS

Our fabrics are designed to be breathable. They are water resistant but not waterproof. It is recommended that you store and remove the cushions when not in use or during severe weather condition. The cushion and cushion cover shall be removed and air dried if it is soaked after heavy rain, so we may avoid the potential mold issue.

The best way to keep your fabrics looking good is to clean them. It is recommended to clean off dust and dirt periodically, wipe spills as soon as they occur, and spot clean soon after stains occur. Removable cushion covers may be machine-washed in cold water with mild laundry soap and air dried.

## SYNTHETIC RATTAN AND WOVEN POLYROPE

To clean, use mild soap and clean water - wipe off the dust or spills using clean cloth (Do NOT use brush). Dry thoroughly with soft cloth or air dried. Do NOT expose to chemical solvent.

## Other Tips:

- Do not put hot items directly on furniture surface.
- Do not store furniture in areas that have central heating or cooling vents to prevent excessive drying of the wood. This will decrease the furniture's longevity.
- Do not write on furniture without a padded barrier to protect the surface.
- Do not leave your furniture in puddles of water or on wet ground.
- Cover your furniture during winter months or move into covered storage.

The manufacturer supports protection of the world's forest resources and is diligent in sourcing legally harvested wood.

# 1 Year Limited Warranty

This warranty is a limited warranty. Regular care and maintenance are required to maintain the warranty. Warranty is to the original purchaser when items are purchased from one of our authorized retailers and is not transferable. If a product fails and is under the terms of our limited warranty, the item will be replaced with a small fee when applicable. In the case of discontinued models, an item of similar quality and style will be offered to the customer.

- 1 Year Limited Frame Warranty:

Wood frames are warranted to be free from structural defects (i.e., broken frame) in material and workmanship. Wood frames require user maintenance and changes in the color of wood are normal and should be expected to occur over time as the natural material ages. Therefore, natural fading and changes in wood frames is not covered by this warranty. Components such as chair feet are meant to wear and tear, so they will not be considered as part of the frame.

- Finish, when applicable:

The finish is warranted against peeling, cracking, or blistering for a period of 1 year, provided the unit has not been scratched or abraded. Scratches and dents resulting from normal wear and tear are not covered.

- Fabric

Fabrics and cushions are warranted to be free from workmanship or material defects, which includes failures in stitching, zippers, sling rails, cording, buttons, cushion foam, or other areas of workmanship. The fabric and cushion will not be warranted if deterioration, discoloration, fading, etc., is due to exposure of chemicals, cleaning products, sun lotions, oil spills, improper maintenance process, or extreme heat.

## Warranty Exclusions:

Furniture used for commercial, contractor or any non-residential purposes | clearance items, display models, or items purchased "as is" | failure caused by unreasonable or abusive use, freight damage, acts of nature, vandalism, fire, lack of proper care and maintenance, or improper assembly | exposure to severe weather includes, but not limited to, snowstorm, hail, heavy rainfall, flooding, hurricane, and extreme heat | accidental damage, repair, or modifications by customer | straps and fabric against fading or discoloration from improper and/or accidental exposure to elements, oil spills, fluids or chemicals | hardware against corrosion or rusting | buckling or splitting of tubing resulting from exposure to water and freezing temperatures.

Further excluded: normal wear and tear | loss of use or time | inconvenience, money, travel, packaging or any other consequential or incidental damages.

In no event shall the manufacturer's responsibility exceed the value of the product.

**The warranty starts on the date of purchasing unless otherwise noted. However, we may consider for special circumstance.**

For quality control purposes and verification, we need documents in support of your claim:

- Packing slip / Invoice
- Additional documents (Photos or video) of damaged/ defected/ missing part
- Item number and part code (can be found on assembly instruction)

Please include the above-mentioned documents as your claim **WILL NOT BE PROCESSED** until properly supported. **Retain all damaged goods until the claim is concluded.**

The terms of this warranty are subject to change without notice.