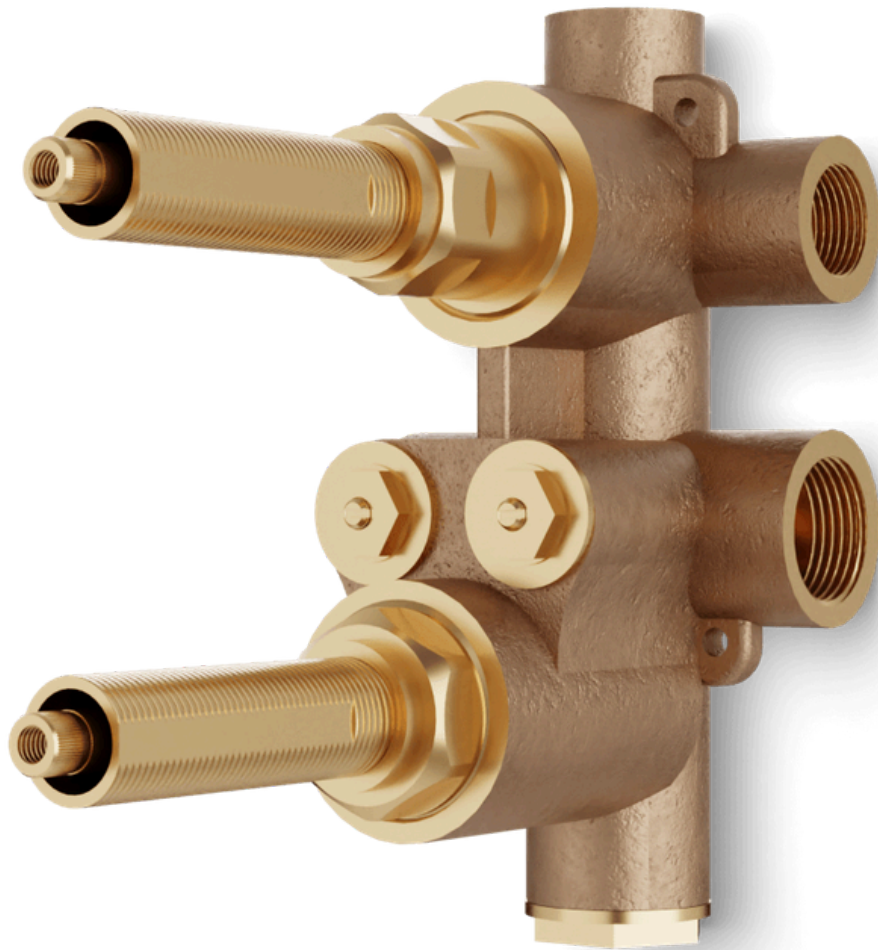


# F973AVO

3/4" Thermostat Valve with 3-Way Shared  
Diverter & Off Position

artos®

**INSTALLATION GUIDE**



---

Operates with 1-3 Outlet Functions

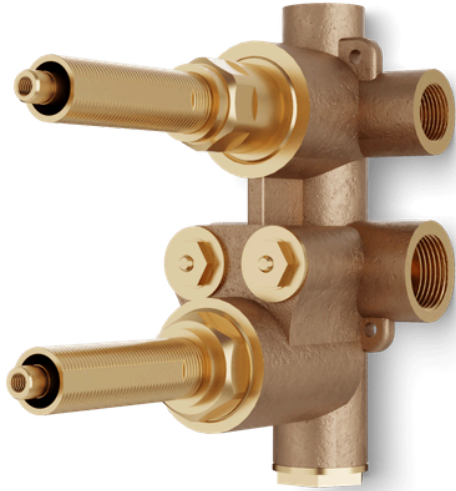
---

# F973AVO

3/4" Thermostat Valve with 3-Way Shared Diverter & Off Position

artos®

## OPERATING SPECIFICATIONS



Operates with 1-3 Outlet Functions

### MIXED WATER TEMPERATURE

Maximum: 120°

### OPERATING TEMPERATURE

Maximum: 176°

Minimum: 50°

Minimum difference between hot mixed temperature 50°

### OPERATING PRESSURE

Minimum: 20psi

Maximum: 125psi

Recommended: 30psi-95psi

Operating pressures (on hot and cold lines) should be kept as balanced as possible, in order to assure the maximum efficiency

### FLOW RATE

8 USGPM at 60PSI

### MATERIAL

Solid Brass

### STANDARDS

ASSE 1016.ASME A112.18.1/CSA B123.1

To view all standards, please visit product approvals in our learning hub at [artos.us.com](https://artos.us.com)



All technical specifications, product details, and pricing are subject to change without prior notice. Artos makes every effort to ensure accuracy; however, errors or omissions may occur. It is the responsibility of the installer, designer, or purchaser to verify all critical dimensions, installation requirements, and compliance with applicable codes prior to use.

Artos assumes no liability for damages, losses, or injuries resulting from the use of this documentation or from product installation, operation, or maintenance performed outside of Artos instructions and applicable codes. Product warranties are limited to those expressly stated by Artos. Please refer to official warranty documentation for complete terms and conditions.

All drawings, manuals, and specifications are the property of Artos and may not be reproduced, distributed, or altered without prior written permission.

# F973AVO

artos®

¾" Thermostat Valve with 3-Way Shared Diverter  
& Off Position

**INDEX**

## INDEX

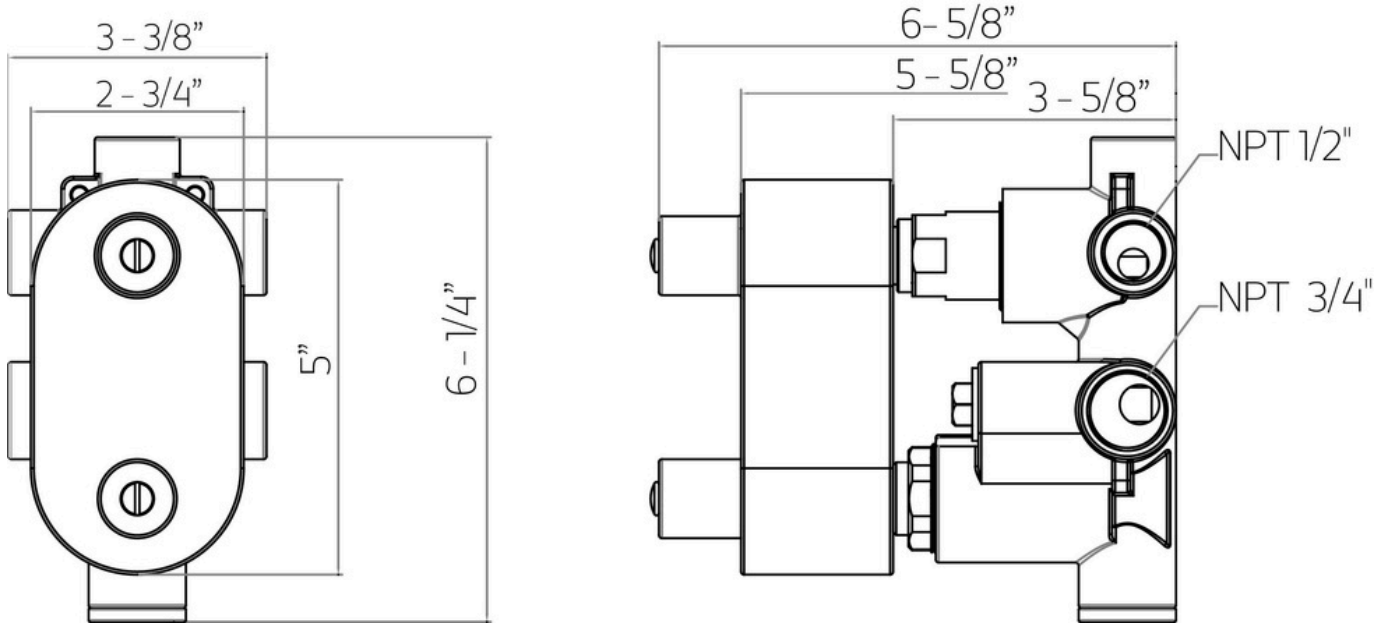
Product Dimensions - F973AVO.....	pg:4
Functionality Diagram.....	pg:5
¾" Thermostat Valve Installation.....	pg:6-10
Parts Breakdown - F973AVO.....	pg:11

# F973AVO

artos®

3/4" Thermostat Valve with 3-Way Shared Diverter  
& Off Position

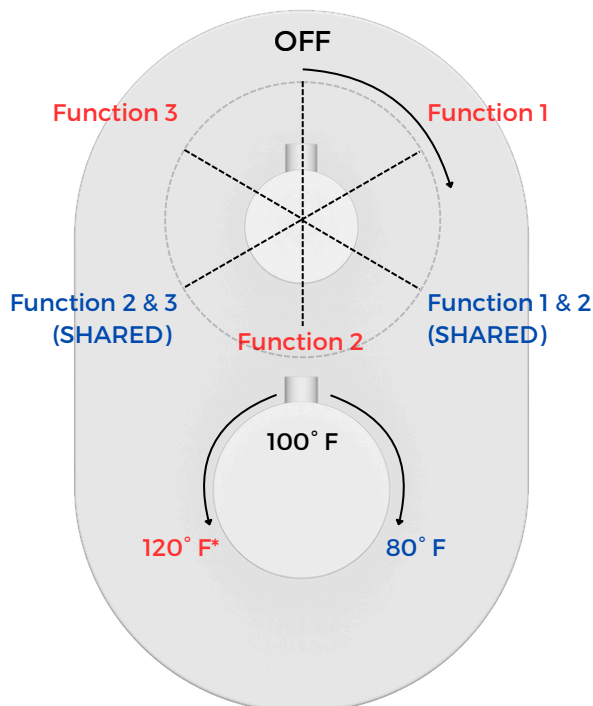
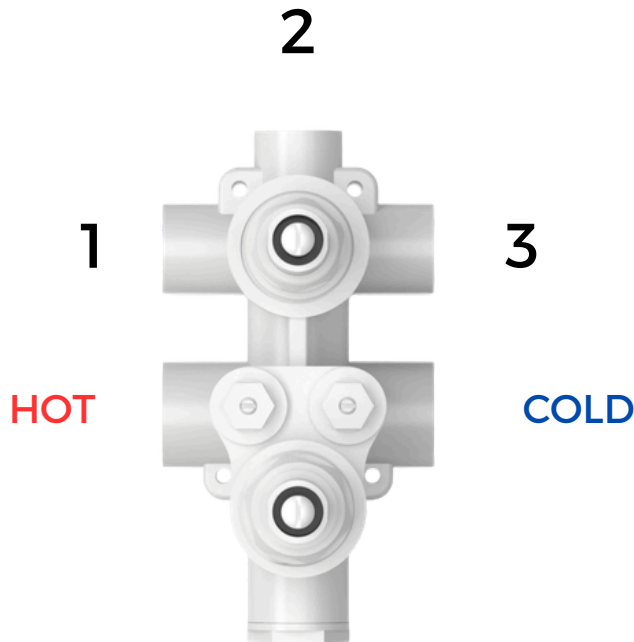
## PRODUCT DIMENSIONS



# F973AVO

3/4" Thermostat Valve with 3-Way Shared Diverter & Off Position

## FUNCTIONALITY DIAGRAM



### IMPORTANT INSTALLATION NOTICE FOR F973AVO THERMOSTATIC VALVE

The F973AVO is a thermostatic valve with a built-in 3-way shared diverter, designed to provide safe, consistent water temperature while directing flow to multiple outlets. Hot water must be connected to the left inlet and cold water to the right inlet. Reversing these connections may cause improper temperature control or unpredictable outlet flow.

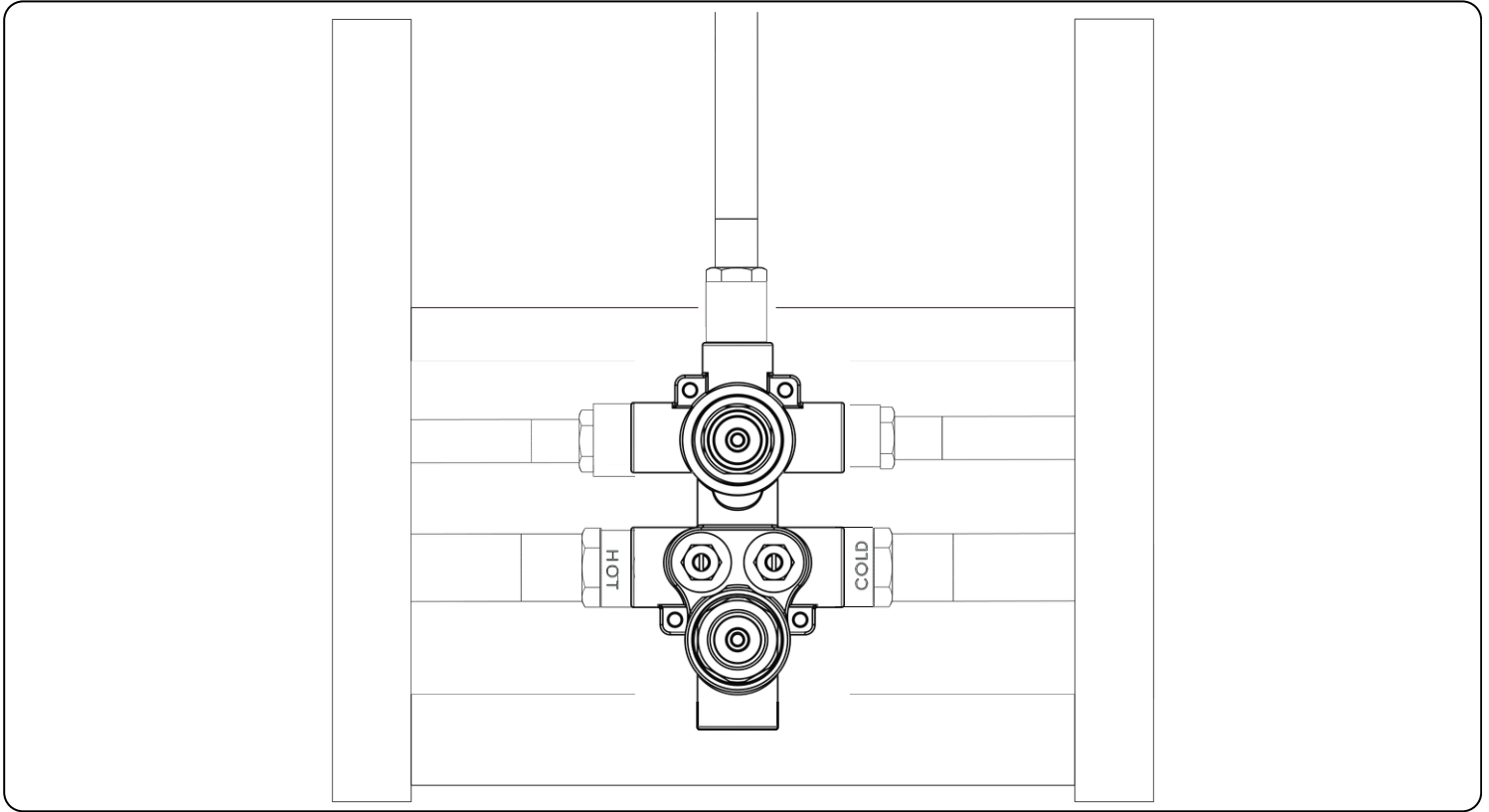
The bottom outlet is thermostatic, and the top outlet is controlled by the diverter. The diverter allows shared operation between outlets according to your configuration. The top handle in the OFF position stops flow completely. Always verify installation, inlet orientation, and outlet operation after installation.

### NOTE ABOUT TEMPERATURE CONTROL:

This valve maintains a stable, user-set temperature using its thermostatic cartridge. Even at the coldest setting, a small amount of hot water is mixed to prevent sudden temperature fluctuations caused by changes in water pressure elsewhere in the plumbing system. This design ensures a consistent and comfortable shower while reducing the risk of scalding or shockingly cold water.



## STEP 1



### Safety Warnings

- Shut off the main or local water supply before beginning installation.
- Use caution when handling sharp tools and metal parts.
- Do not overtighten connections, as this may damage components or create leaks.
- Ensure the psi of the local water supply remains in the recommended psi range on the operating specifications page
- Wear protective gloves throughout installation to prevent injury and protect the finish of the components.

Before beginning, verify that all parts and tools required for installation are available. Review the installation diagram in the parts breakdown at the end of this manual.

# F973AVO

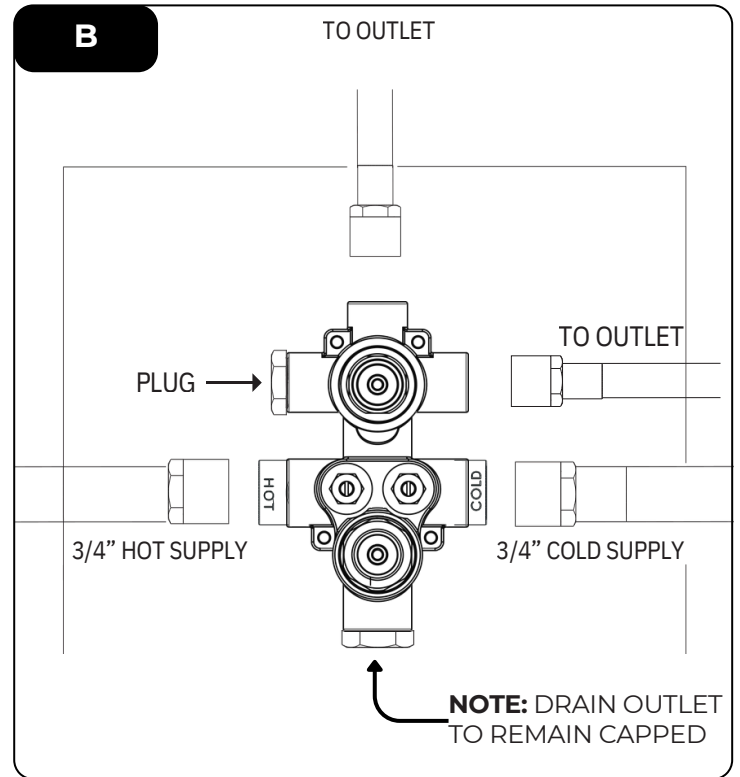
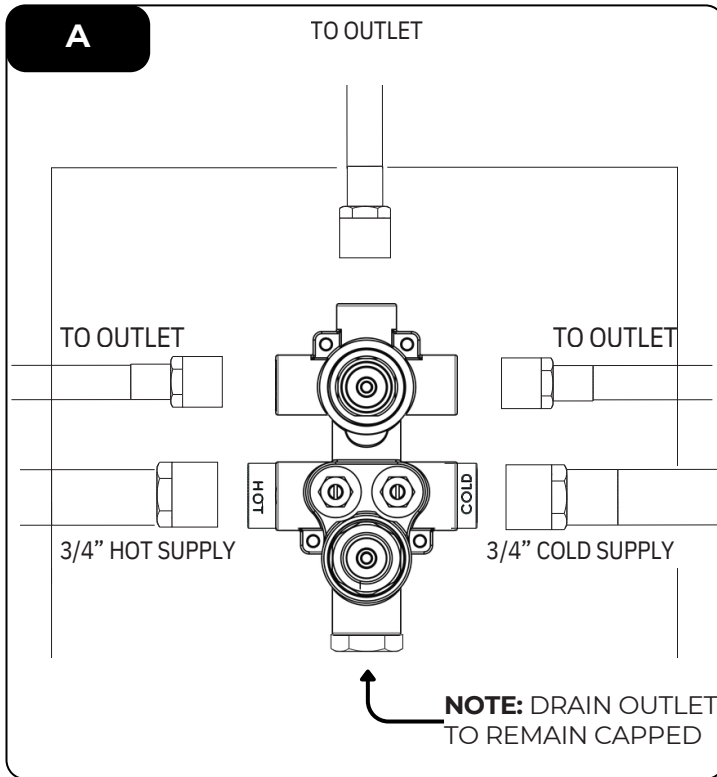
3/4" Thermostat Valve with 3-Way Shared Diverter & Off Position

artos®

## INSTALLATION GUIDE

### STEP 2

FOR F973AVO OR F973ANSVO



Connect the 3/4" hot water supply to the left inlet and the 3/4" cold water supply to the right inlet of the valve body. Assure the bottom 3/4" drain outlet is capped to prevent leaks.

**IMPORTANT: IF USING HEAT NEAR THE VALVE BODY, PLEASE REMOVE CARTRIDGES.**

### Multi-3-way Function Installation

This valve is designed to operate up to three shower functions. Connect the required upper 1/2" outlet(s) to the corresponding shower devices based on the shower system being installed. Refer to **diagram A** for typical outlet configurations.

### Multi-2-way Function Installation

This valve can also be installed for a dual shower outlet function. Connect the wall or ceiling mounted shower head to the top 1/2" outlet and the **left or right** outlet to the accessory fixture. To the shower device and securely cap the remaining unused outlet. Using two outlets is a normal installation, and the valve will operate correctly in this configuration. Any **capped outlet will function as an OFF position** when operating the diverter. Refer to the functionality diagram to identify how the diverter control corresponds to each outlet.

# F973AVO

3/4" Thermostat Valve with 3-Way Shared Diverter & Off Position

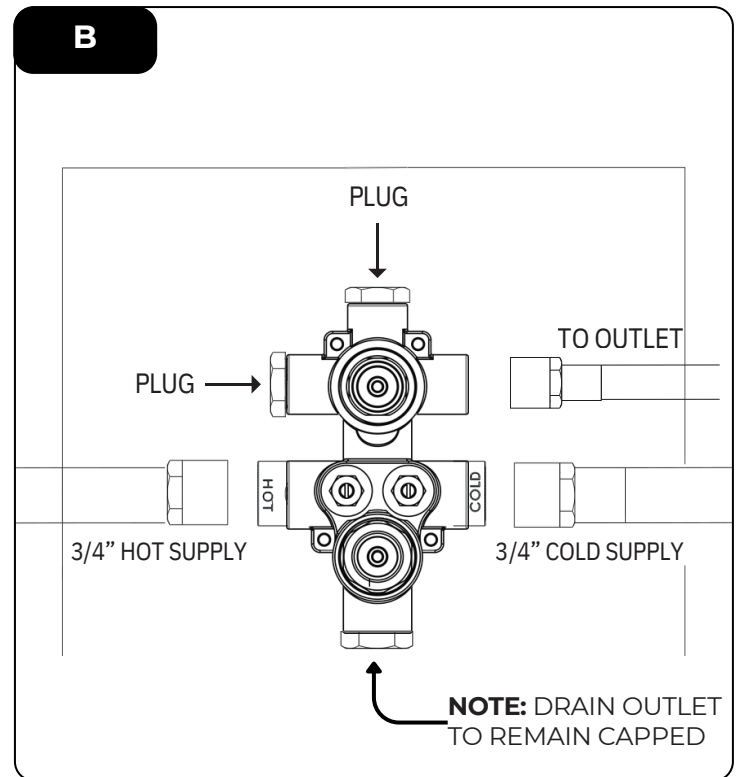
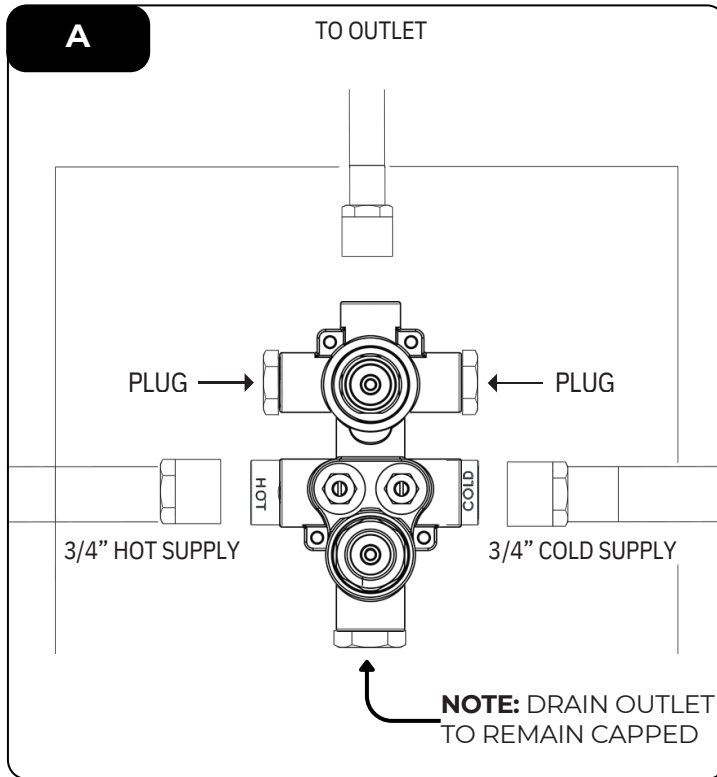
artos®

## INSTALLATION GUIDE

FOR F973AVO OR F973ANSVO



### STEP 3



**IMPORTANT: IF USING HEAT NEAR THE VALVE BODY, PLEASE REMOVE CARTRIDGES.**

### Single Outlet Function Installation

If the installation uses only one shower function, connect the selected outlet (upper 1/2" outlets) to the shower device. Refer to **diagram A** for wall or ceiling mounted shower heads and **diagram B** for single outlet tub fillers or shower wands.

The remaining unused outlets must be securely capped. **The capped outlet will function as an OFF position.** Using a single outlet is a normal and approved installation for this valve. Refer to the functionality diagram to identify how the diverter control corresponds to each outlet.

# F973AVO

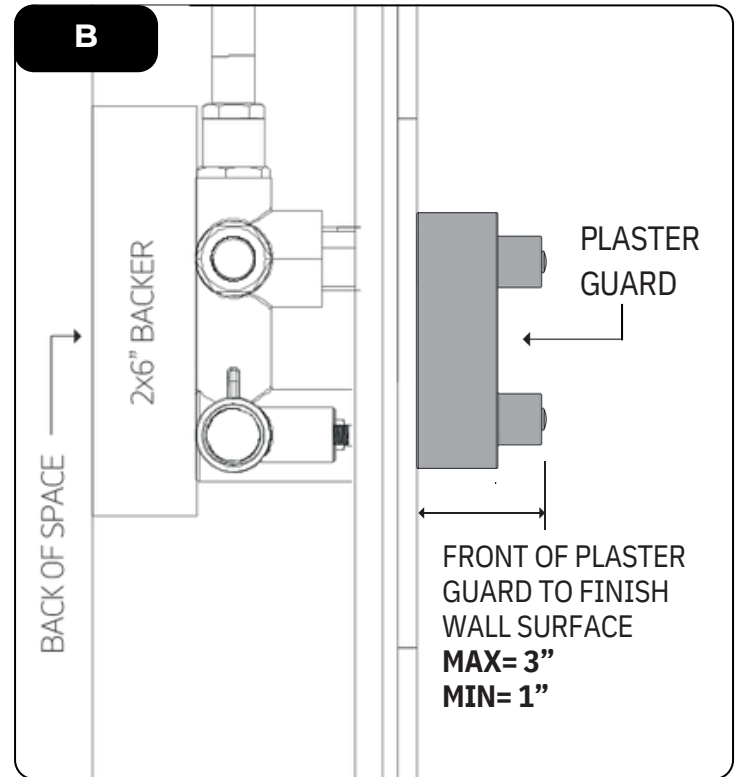
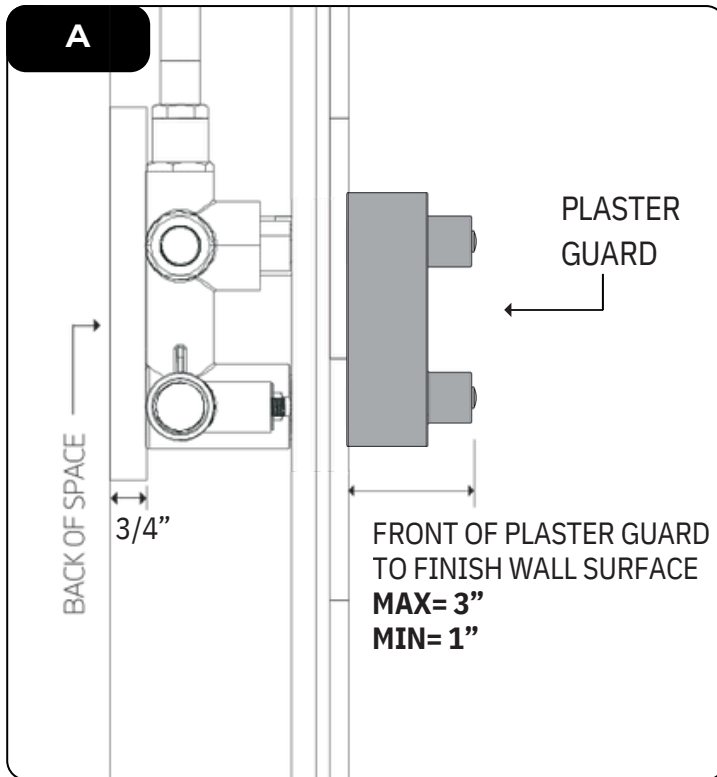
3/4" Thermostat Valve with 3-Way Shared Diverter & Off Position

artos®

## INSTALLATION GUIDE

### STEP 4

FOR F973AVO OR F973ANSVO

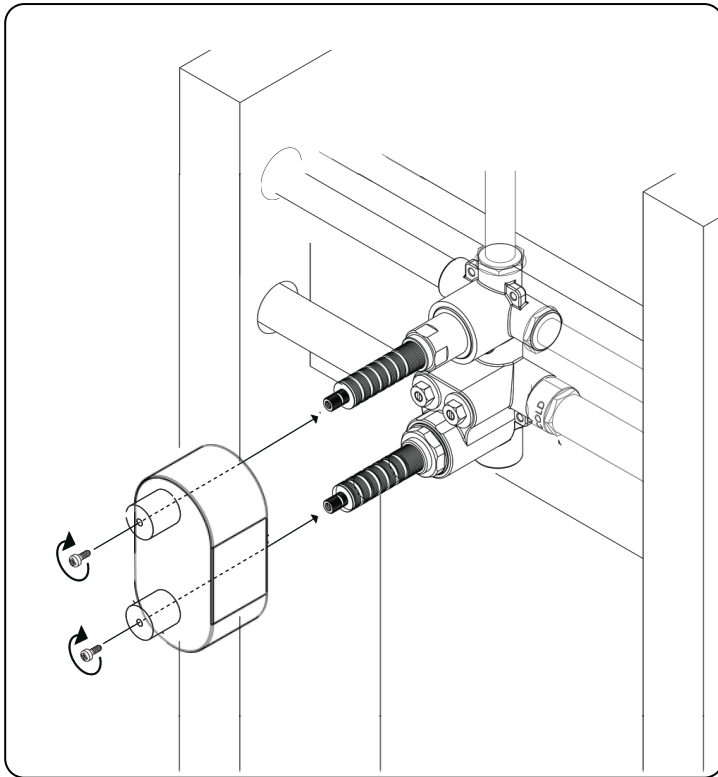


Begin installation of the F973AVO or F973ANSVO by installing a solid backer board between the wall studs to support the valve. For **2" x 4"** wall construction, use a **3/4"** plywood backer. For **2" x 6"** wall construction, use a **2" x 6"** backer.

Position the valve against the backer, ensuring it is **level** and properly aligned. Secure the valve using drywall or deck screws through the mounting holes provided in the valve body. Refer to Diagram **A** for **2" x 4"** wall installations and Diagram **B** for **2" x 6"** wall installations.

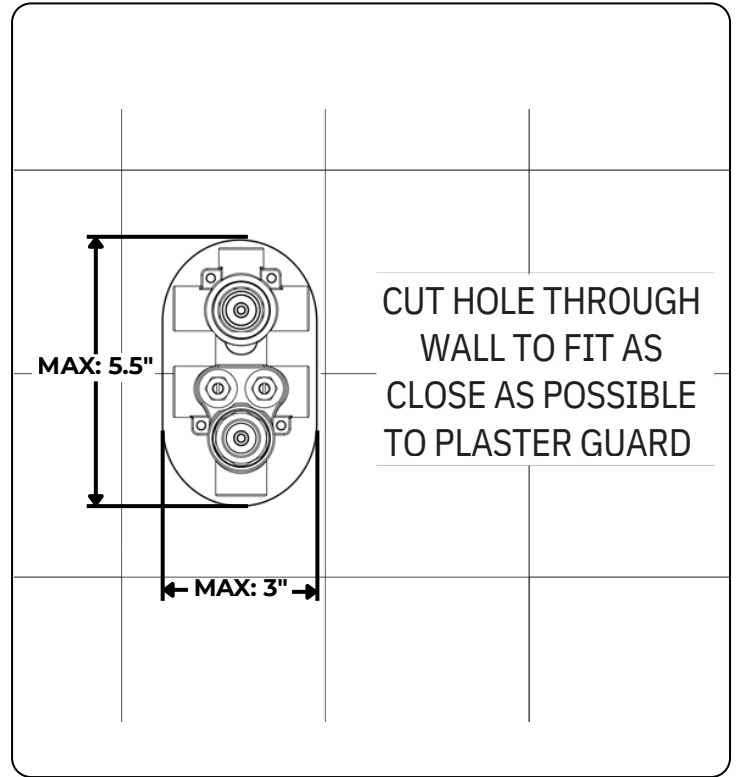
The front of the plaster guard must be positioned between **1" minimum** and **3" maximum** from the finished wall surface for both wall types.

**STEP 5**



**STEP 6**

FOR F973AVO OR F973ANSVO



**STEP 4**

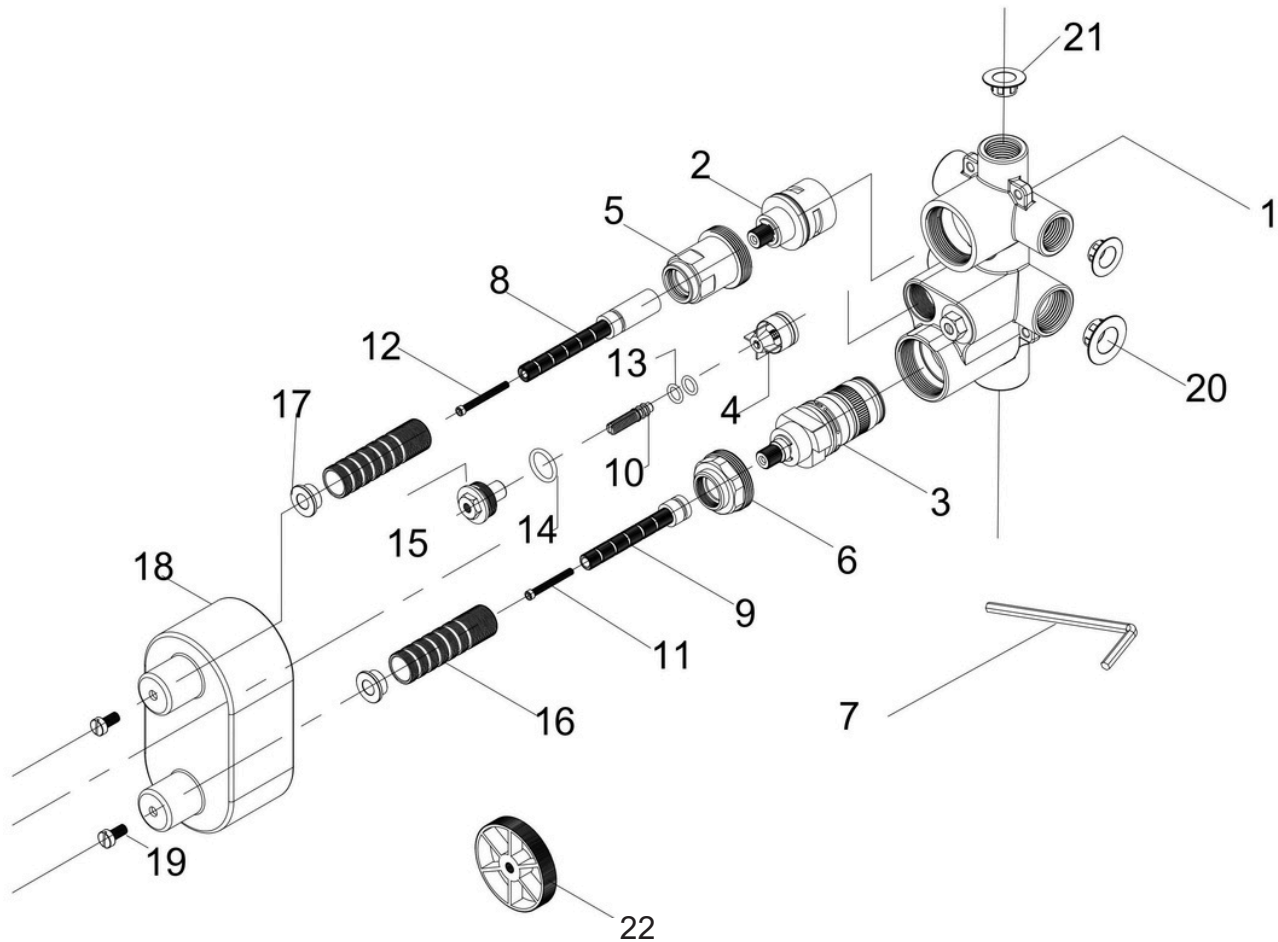
Using the provided screws, secure the plaster cover to the valve spindles, ensuring it is properly aligned and fully seated.

**STEP 5**

Complete the finished wall, using the plaster guard to protect the valve threads during installation. Cut an access opening in the finished wall large enough to expose the valve for future adjustment of the service stops. The included temporary handle may be added for testing.

**IMPORTANT:** DO NOT LET THE HOLE EXCEED THE TRIM KIT ESCUTCHEON DIMENSIONS.

*DIMENSIONS MAY VARY DUE TO MODEL VERSION OR ESCUTCHEON STYLE*



- |                                 |                        |
|---------------------------------|------------------------|
| ① VALVE BODY SHARED DIVERTER    | ⑫ M4X40 ALLEN BOLT     |
| ② CARTRIDGE                     | ⑬ 1.8 O RING (4)       |
| ③ VERNET THERMOSTATIC CARTRIDGE | ⑭ 17 X 2 O RING (2)    |
| ④ NEOPERL CHECK VALVES (2)      | ⑮ NRV NUT (2)          |
| ⑤ DIVERTER CARTRIDGE NUT        | ⑯ OUTER SPINDLE (2)    |
| ⑥ THERMOSTATIC CARTRIDGE NUT    | ⑰ SLEEVE BUSH (2)      |
| ⑦ ALLEN KEY 3MM                 | ⑱ PLASTER GUARD        |
| ⑧ DIVERTER INNER SPINDLE        | ⑲ 1/4" X 1/2" BOLT (2) |
| ⑨ THERMOSTAT INNER SPINDLE      | ⑳ 3/4" DUST CAP (2)    |
| ⑩ NRV SPINDLE (2)               | ㉑ 1/2" DUST CAP (3)    |
| ⑪ M4X20 ALLEN BOLT              | ㉒ TEMPORARY HANDLE     |