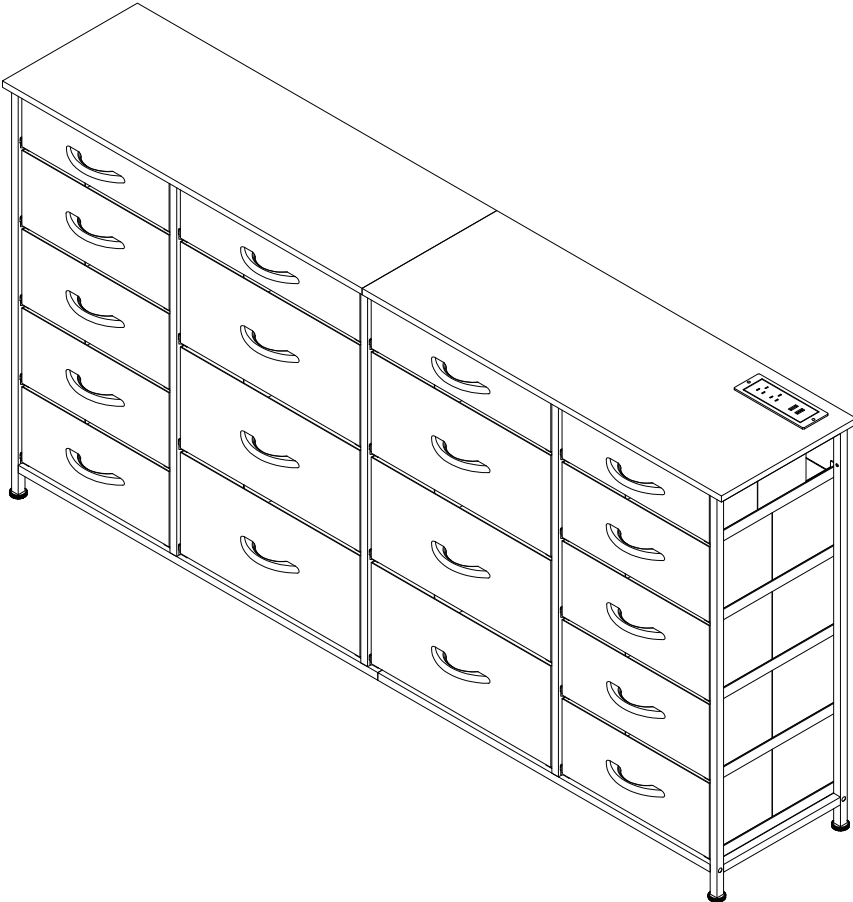


ASSEMBLY INSTRUCTION



Disclaimer

To Valued Customers:

Thank you for purchasing furniture products from our store. To ensure your safety and the best user experience, please read and understand all the contents of this notice carefully before installation and use. Once you start installing or using this product, it is deemed that you have accepted all the following terms.

I. Regarding Installation

● **Professional Installation Recommendation:** For large, modular, or wall-mounted furniture, we strongly recommend that you hire qualified professionals for installation. Self-installation may involve risks.

● **Self-Installation Liability:** If you choose to install the product yourself, it means that you confirm you have the corresponding installation capability and voluntarily assume all risks and responsibilities arising from improper installation, including personal injury and property damage. Improper installation includes, but is not limited to, damage to product components due to ignoring installation instructions during the installation process, loose, missing, or wrong installation of connectors, and obvious instability such as tilting and shaking due to improper placement after installation.

● **Follow Official Instructions:** Installation must strictly follow the steps in the Installation Manual and diagrams provided with the product. Do not rely on any installation guidance from unofficial channels. Our company shall not be responsible for any problems caused by failure to follow official instructions.

● **Safe Installation Environment:** Please carry out the installation in a spacious, bright, and well-ventilated environment and use appropriate tools. During installation, please keep children and pets away from the work area to prevent accidental ingestion of small parts or accidental injuries.

II. Regarding Usage

● **Weight Capacity Limit:** Please strictly comply with the maximum weight capacity limit indicated on the product. Overloading may cause structural damage, deformation, or overturning of the furniture, leading to serious accidents. Our company shall not be responsible for any consequences arising therefrom.

● **Wall Mounting (Mandatory Requirement):** To prevent furniture overturning accidents, especially when there are children at home, you must use the anti-tip devices provided in the product package to permanently connect and fix the furniture to a solid wall. If the fixing devices are damaged or substandard, please contact us immediately through the purchasing platform to obtain replacement parts.

● **Special Warning:** The fixing method must fully comply with the requirements in the manual. Failure to fix as required may cause the furniture to overturn, resulting in serious injury or death. Our company shall not be responsible for any furniture overturning and all consequences caused by failure to perform wall mounting or improper fixing.

● **Regular Inspection and Maintenance:** It is recommended that you regularly (especially in the early stage of installation and after moving) inspect and tighten all connectors (screws, bolts, etc.) to ensure the structural stability of the furniture (see the maintenance method in the manual for details). Problems caused by neglect of inspection and maintenance are not covered by the warranty.

● **Proper Use and Placement:**

Place the furniture on a flat and solid floor.

Do not use the furniture for purposes other than its designed use (for example, standing on drawers or shelves, using a chair as a ladder, etc.).

Do not place heavy objects such as televisions or items that attract children on the upper part of the furniture.

Avoid placing the furniture in humid, sun-exposed, or extreme temperature environments to avoid affecting the product's service life or structural stability.

III. Liability Limitation

Our company provides warranty services for product quality in compliance with platform policies and relevant regulations. However, our company shall not be legally responsible for any direct or indirect personal injury, property damage, and other incidental losses caused by the following reasons:

Failure to comply with the requirements of this notice, the official Installation Manual, or product labels;

Misuse, abuse, negligence, or unauthorized repair or modification without our company's authorization;


Improper installation (whether carried out by the user or a third party not designated by our company);

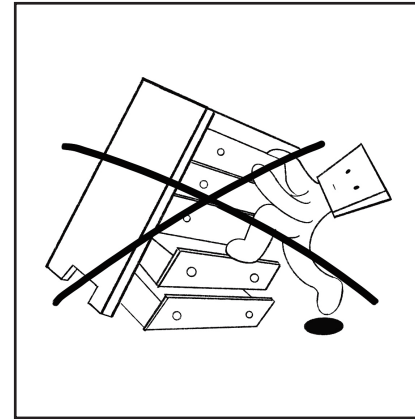
Force majeure events.

Safety first, prevention is better than cure. We wish you a pleasant use!

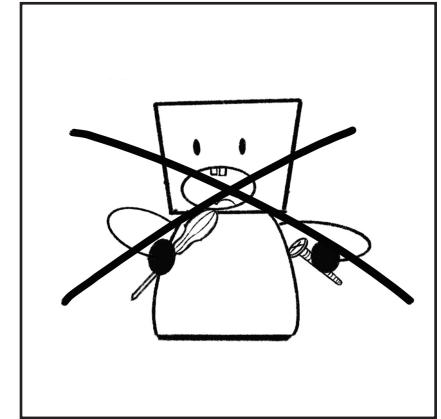
Electrical Safety Precautions

- Do not use damaged power plugs or loose power sockets.
- Do not move the product by pulling the power cord.
- Do not forcibly bend the power cord or place it under heavy objects.
- If the power socket is wet, carefully unplug the product's power plug.
- Do not touch the power plug with wet hands.
- Unplug the product's power plug before maintenance.
- For electrical products not in use for an extended period, ensure the power supply is disconnected.

 Children should use this product only with adult supervision.



DO NOT CLIMB OR HANG



DO NOT PLAY WITH OR SWALLOW SMALL PARTS

Installation of Anti-Tip Device Kit:

1. For the safety of you and your family, the Anti-Tip Device Kit must be installed.
2. For products with wheels, it is recommended that the Anti-Tip Device Kit be installed.

Weight Capacity:

–Do not place items exceeding the maximum weight capacity of the product. (For the product's weight capacity, please refer to the product link.)

Usage Scenarios and Maintenance Methods

- Do not place the product in a humid environment.
- Avoid direct exposure to high temperatures and keep it away from heat sources.
- Clean and maintain the product regularly.
- Place it on a flat surface. When moving is required, ensure that at least two people lift it together.
- Check the condition of screws regularly. If any screws are loose or fall off, reinforce them promptly.

Steel–wood products



Preparation before Installation

–Please read the assembly instructions carefully before installation and keep this manual for future reference. Check that all components are complete, including panels, hardware fittings, screws, plastic parts and other small components.

Ensure that **only adults** perform the installation, and keep children away from the installation area.

Instructions for Use

(1) Install in accordance with the instruction manual or professional guidance to ensure that screws, connectors, and other components are securely fastened. Make sure the support points are evenly in contact with the ground; if not, adjust the adjustable feet to level the product.

(2) Place items stably. Heavier items should be placed at the bottom (layer) to avoid instability and tipping due to an unbalanced center of gravity.

(3) Avoid prolonged exposure to direct sunlight or humid environments to prevent aging or mildew.

(4) **Do not** place heavy objects exceeding the product's load – bearing capacity, so as to avoid deformation and sagging of the wooden boards, which may affect the service life of the product.

(5) Regularly clean dust and stains on the surface to maintain hygiene.

(6) Suitable anti – collision corners can be installed to prevent children from being injured by sharp parts. This product is not a children's furniture. When children use this product, they should be accompanied and supervised by adults to ensure safe use. Adults and children are prohibited from climbing on it. It is forbidden to use the product as a support or stand on it for high – altitude operations.

- Steel–wood furniture is prone to moisture and rust, so it should avoid long–term contact with water or exposure to light and humid environments.
- Keep away from corrosive substances and avoid contact with corrosive chemicals such as acids and alkalis to prevent damage to the surface coating.
- High–temperature or frozen items should be placed on the furniture after being padded with heat–resistant mats; heavy or hard items should be placed on the tabletop after being padded with soft decorative tablecloths or felt pads for protection.
- Keep away from high temperatures and fire sources: It should be kept away from high temperatures, open flames or heat sources to prevent fires.
- Pay attention to the load–bearing range of the product and avoid overloading.
- Secondary drilling on metal parts is not recommended, as it will damage the internal structural strength.
- It is recommended to replace the product under the following circumstances: large–area rust or deformation of the base material, loose connection parts after multiple repairs, and significant decline in load–bearing capacity.
- Strictly use anti–tipping components in accordance with the instructions.
- It is strictly forbidden to violently open or close the doors and drawers of the furniture. When in use, appropriate force should be applied to avoid loose connections.

- When moving the furniture, items in the cabinet and drawers should be taken out, and movable parts such as doors and drawers should be fixed to prevent the furniture from tilting and parts from sliding off and causing injury. Do not drag or push hard during moving to avoid loose connectors and broken parts. The product needs to be lifted off the ground by multiple people at the same time, and attention should be paid to safety during moving.



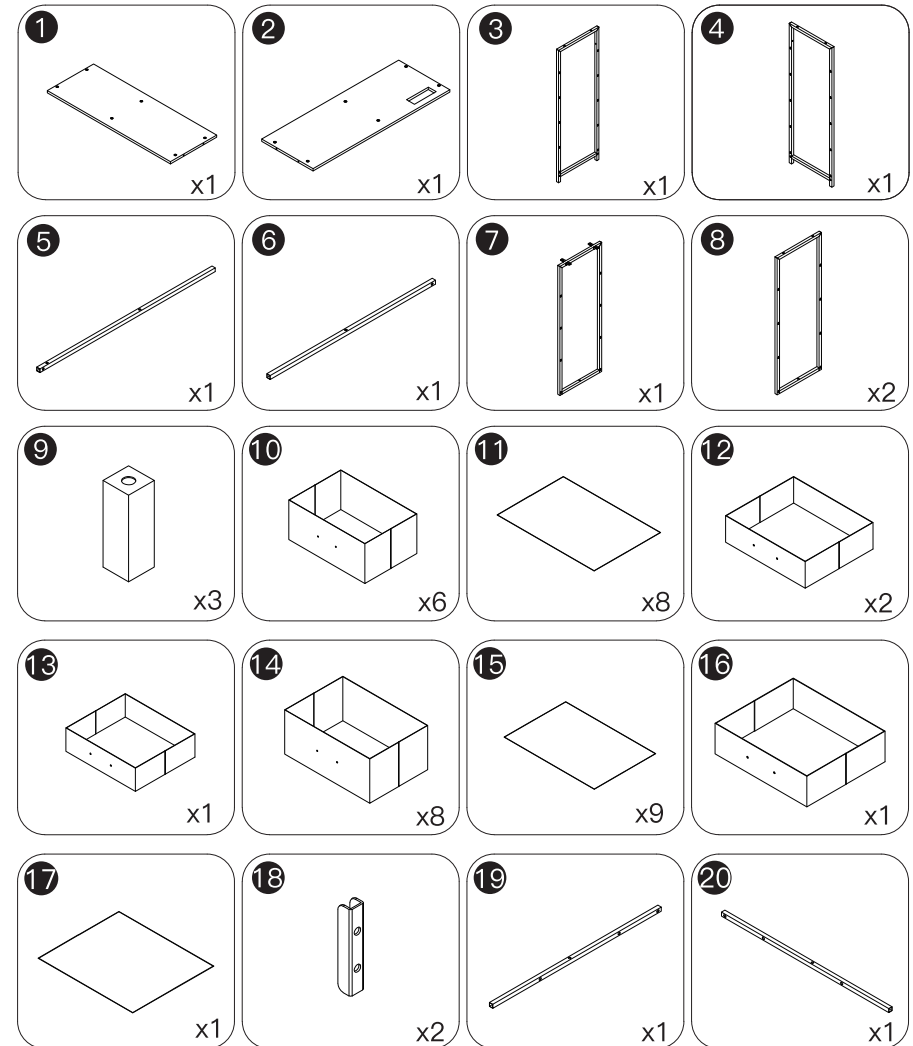
Maintenance Methods

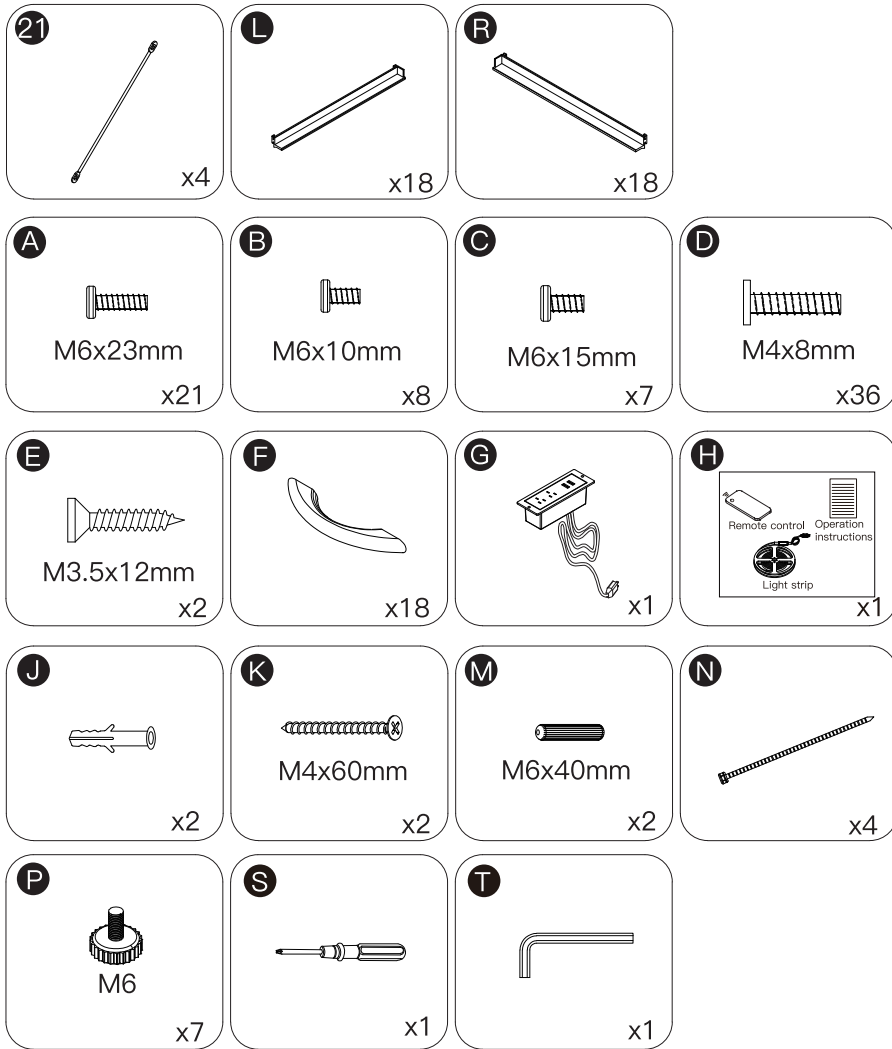
- (1) **Loose connectors:** Check the tightness of the connectors every 3 months. If they are loose, use the matching wrench to adjust and tighten them.
- (2) **Surface cleaning:** Wipe with a soft dry or slightly damp cloth; do not use steel wool, hard objects, rough scouring pads, or acidic cleaners to avoid scratching the surface coating.
- (3) When opening the cabinet doors and drawers of the product, apply appropriate force. It is strictly forbidden to open or close them violently, as this may cause loose connections.
- (4) In suitable weather, regularly open the cabinet doors and drawers, take out the internal items, and ventilate the furniture to remove moisture.
- (5) Place high-temperature or frozen items on the furniture after placing them on heat-resistant mats; place heavy or hard items on the tabletop after covering them with soft decorative tablecloths or felt pads for protection.
- (6) **Rust prevention:** Regularly apply anti-rust oil or wax, especially in humid environments.
- (7) **Coating protection:** For metal parts with coatings, avoid using strong acid or strong alkali cleaners to prevent the coating from peeling off.
- (8) **Lubricating connectors:** Regularly lubricate moving parts (such as hinges and slide rails) to maintain flexibility.
- (9) **Products with wheels:** Regularly remove entangled hairs and fibers.

Please check all parts and accessories according to the parts list before assembling, make sure all contents are sufficient and in good condition.

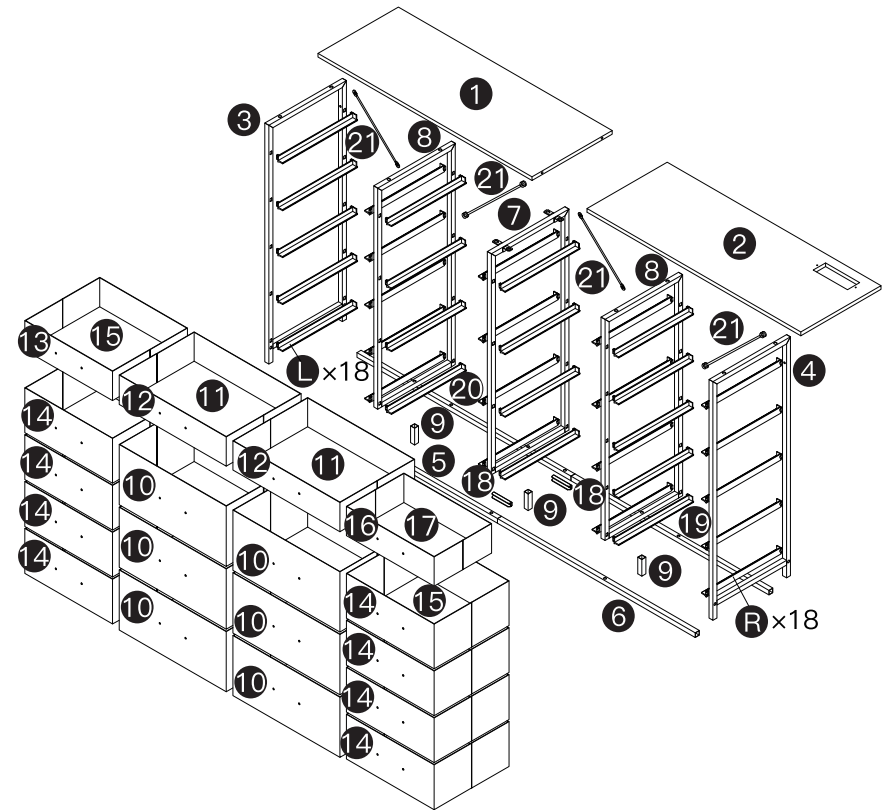
If there is any parts missing or defective, please contact us immediately with purchase platform message to get replacement parts.

PARTS:





EXPLODED DRAWING:



WARNING

MAXIMUM LOAD CAPACITY:
[176] LBS

- DO NOT EXCEED! Overloading may cause detachment.
- Distributed weight only

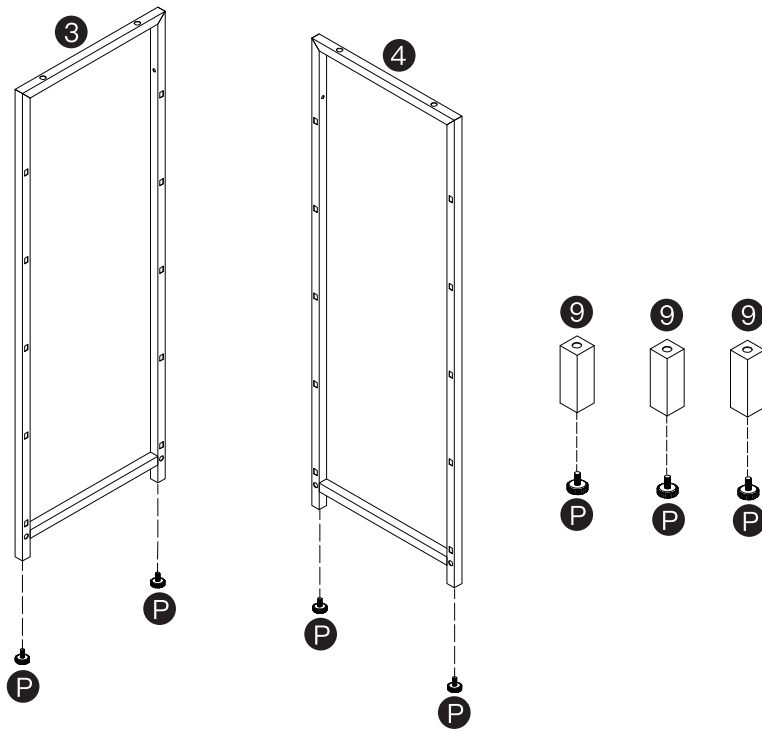
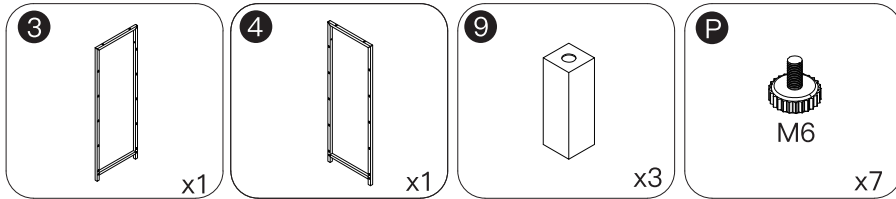
▲ WARNING:

**TIP-OVER / TIPPING HAZARD
IMPROPER WALL ANCHOR INSTALLATION
CAN CAUSE SERIOUS INJURY OR DEATH**

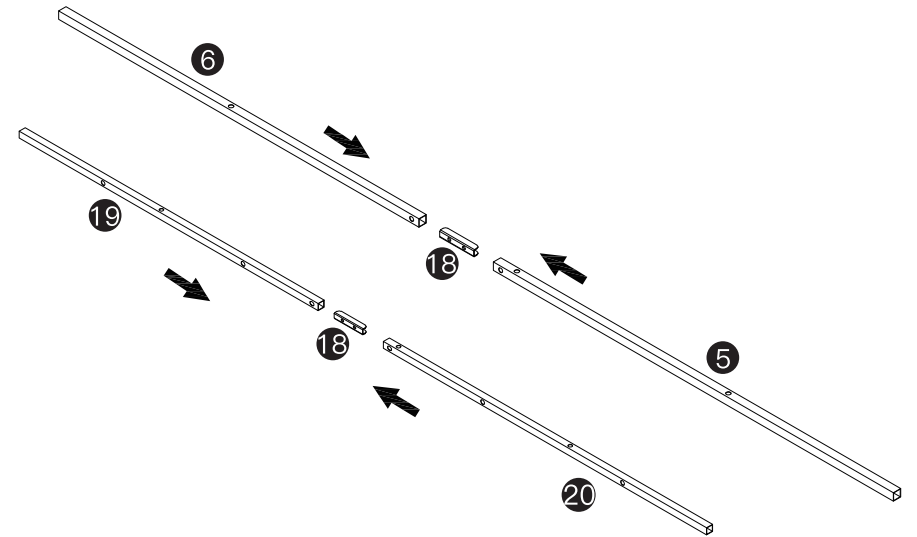
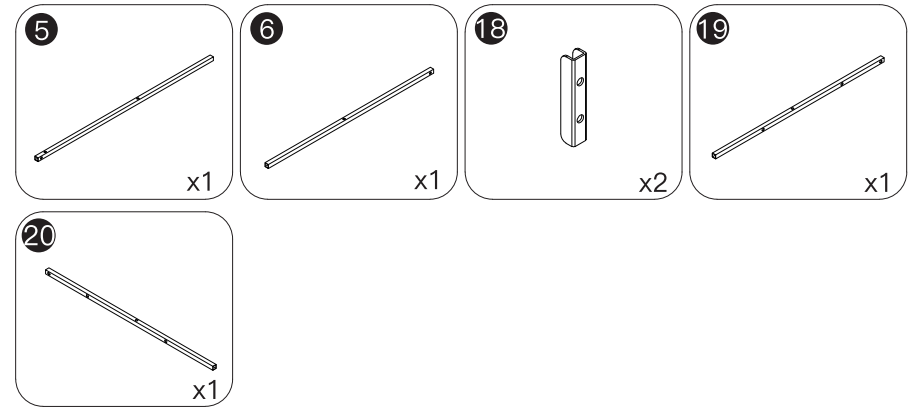
- Always secure furniture to wall using provided anchors.
- Follow all installation instructions carefully.
- Do not allow children to climb on furniture.
- Place heavier items in lower drawers or shelves.

HOW TO INSTALL

STEP 1



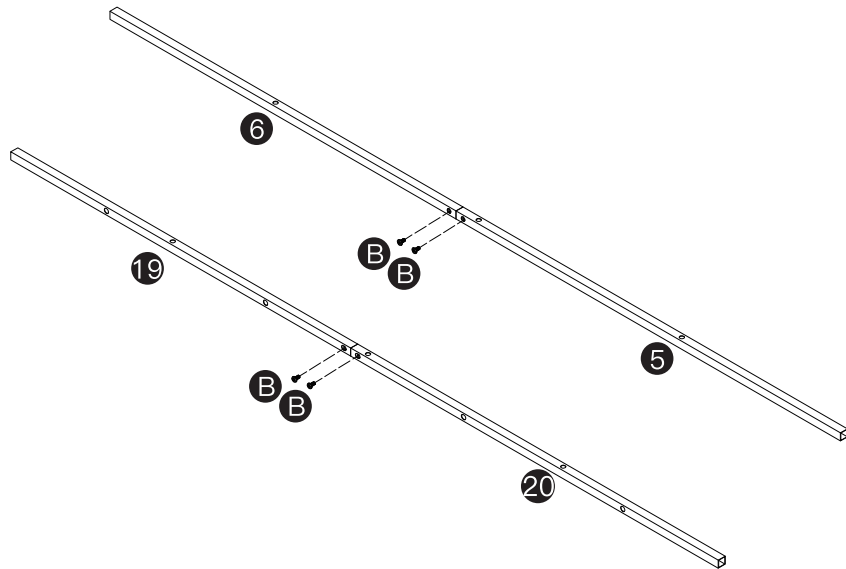
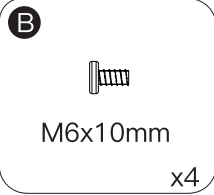
STEP 2



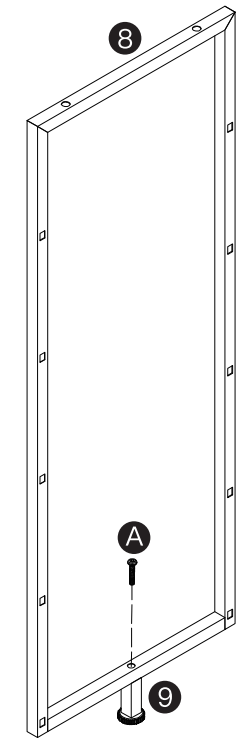
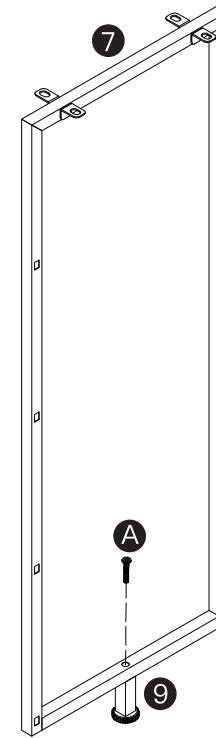
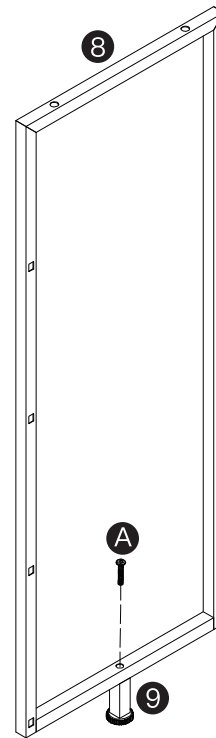
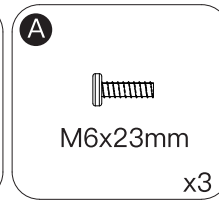
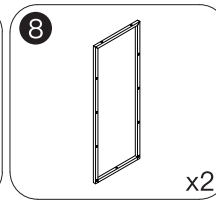
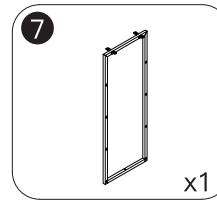
NOTICE:

Please align the holes of part 5 & 6 , 19 & 20 with the holes of part 18 for subsequent installation.

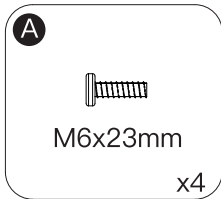
STEP 3



STEP 4



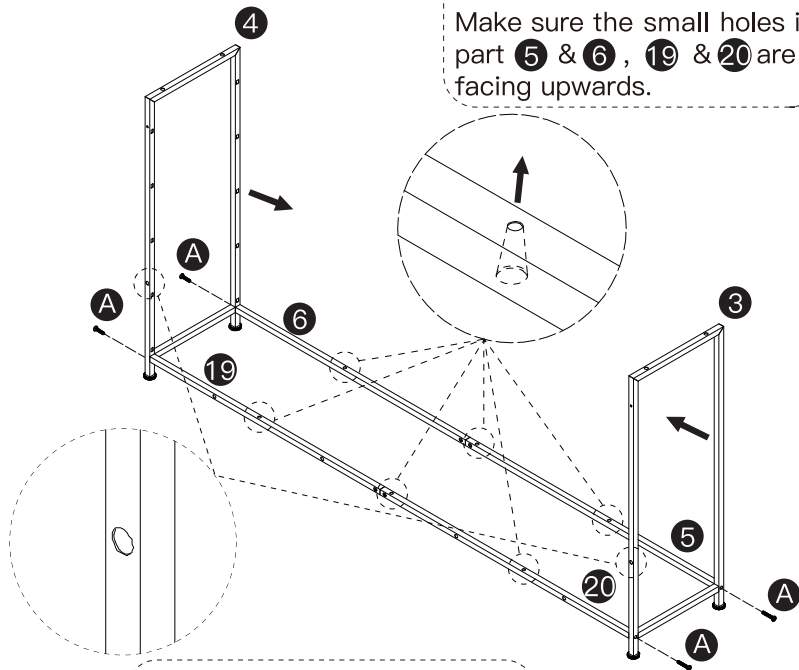
STEP 5



FRONT
BACK

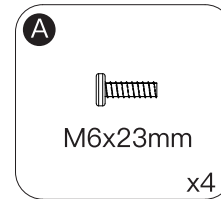
NOTICE:
Make sure 10 square holes of part ③ & ④ are facing inwards.

NOTICE:
Make sure the small holes in part ⑤ & ⑥, ⑱ & ⑳ are facing upwards.



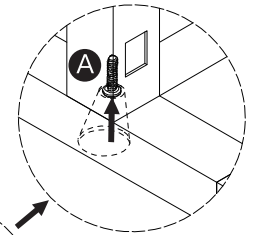
NOTICE:
Make sure the hole for part ③ & ④ is located at the back.

STEP 6

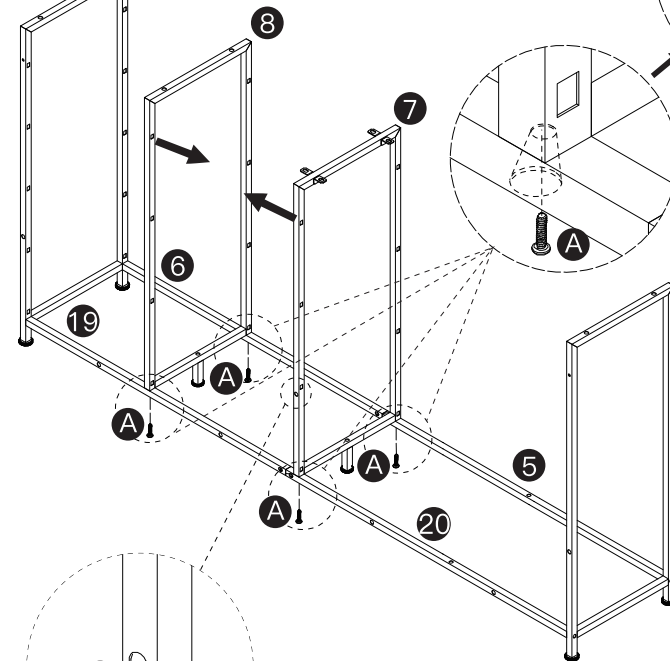


FRONT
BACK

NOTICE:
Make sure the side with 8 holes of part ⑦ & ⑧ are facing inwards.

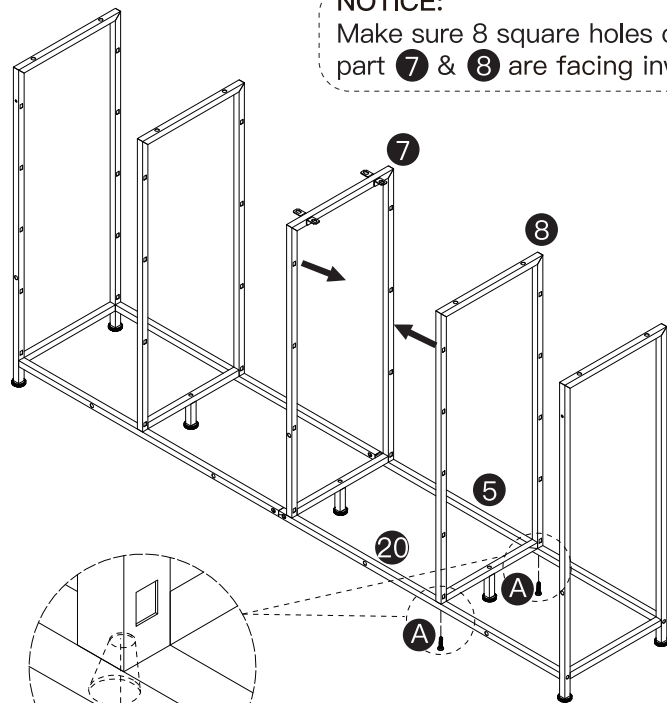
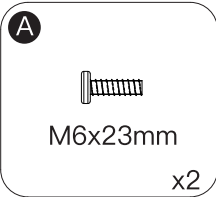


NOTICE:
Tighten the screws after inserting into larger holes.



NOTICE:
Make sure the hole for part ⑦ is located at the back.

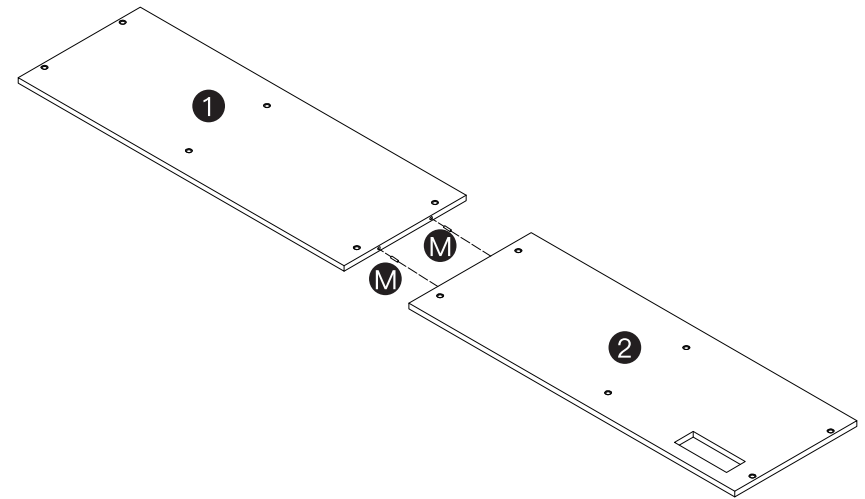
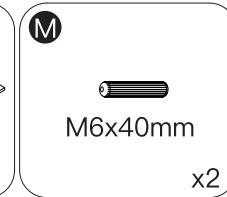
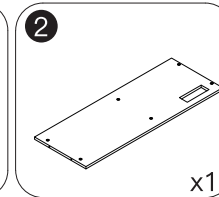
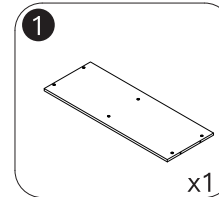
STEP 7



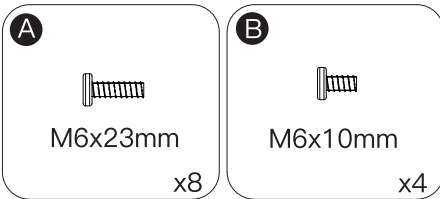
NOTICE:
Make sure 8 square holes of part 7 & 8 are facing inwards.

NOTICE:
Tighten the screws after inserting into larger holes.

STEP 8

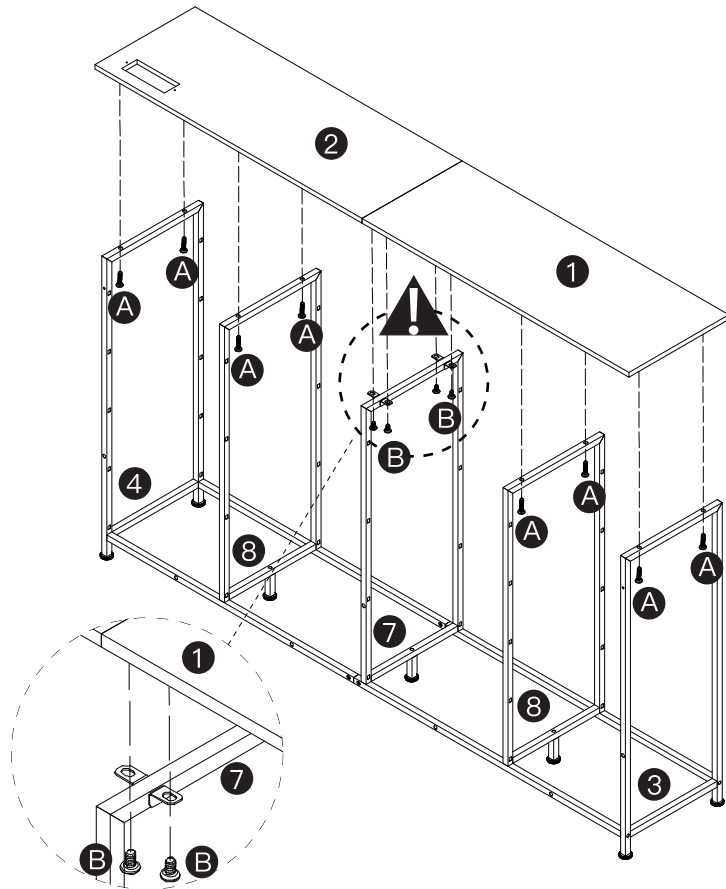


STEP 9

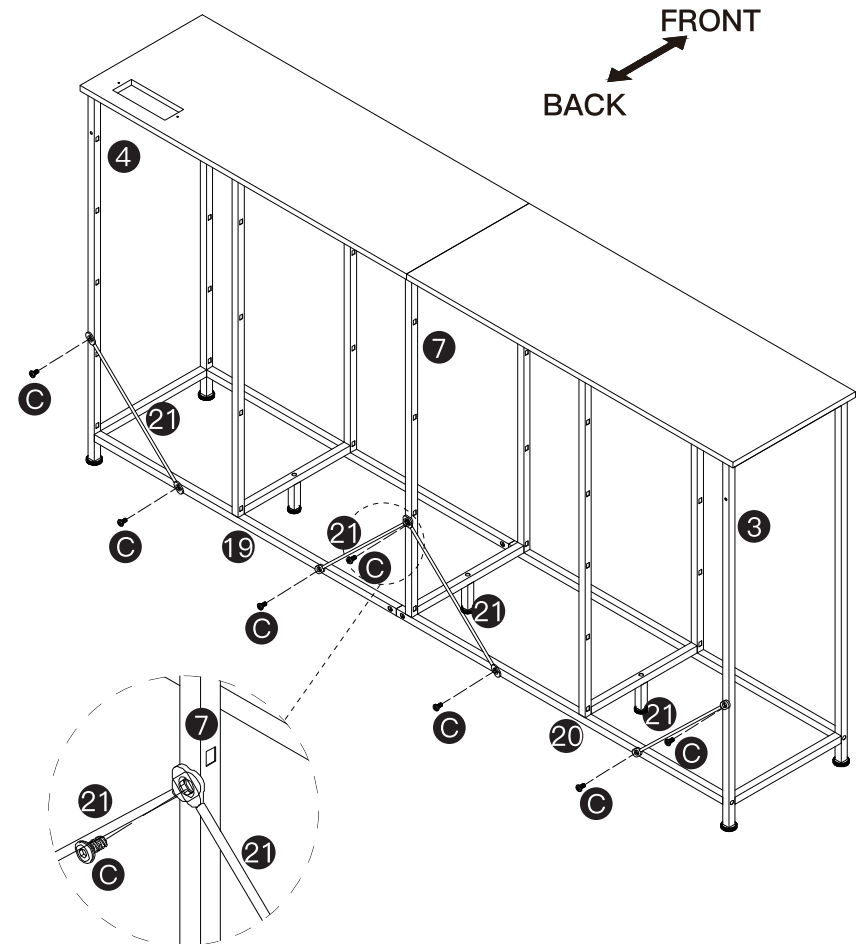
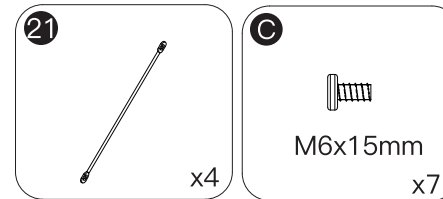


NOTICE:

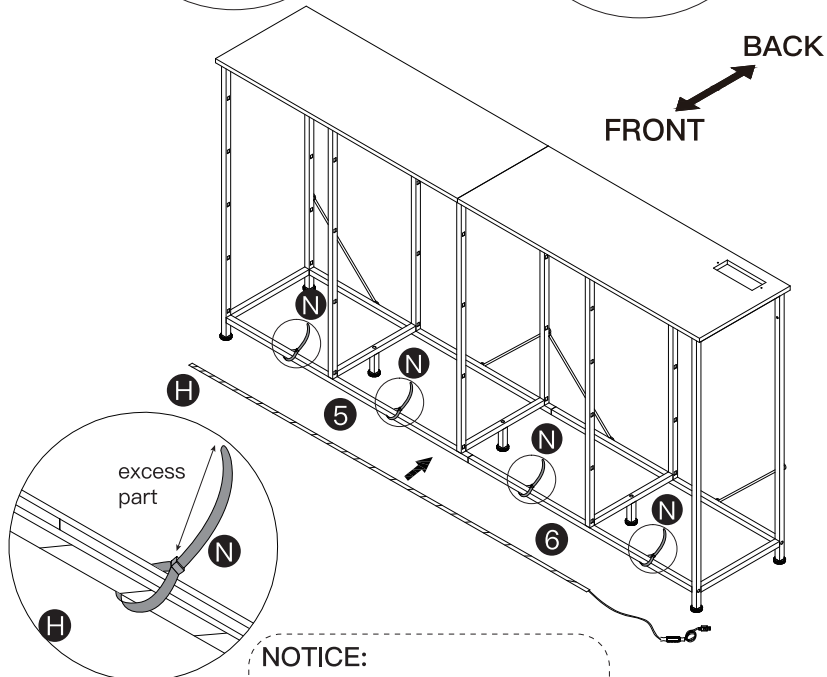
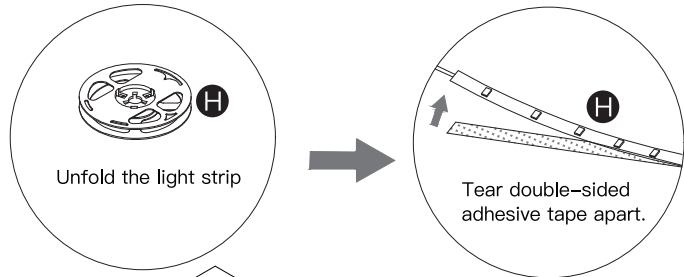
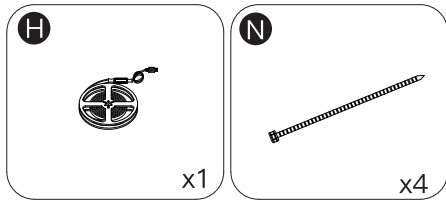
Make sure the part ① & ② are lifted on the same horizontal line to prevent wooden cork from breaking.



STEP 10

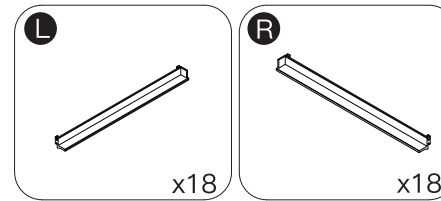


STEP 11



NOTICE:
Cutting off the excess parts of part N will make it more aesthetically pleasing.

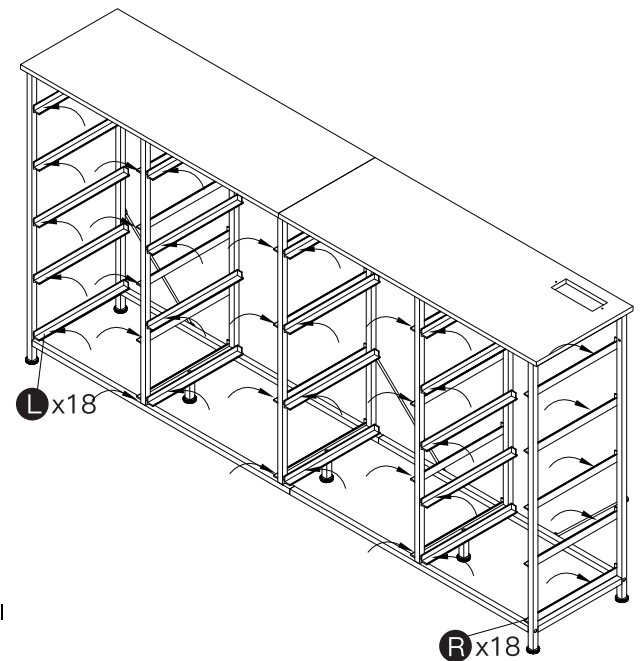
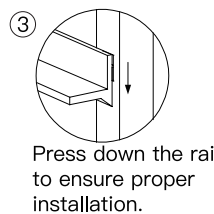
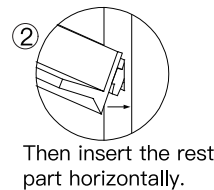
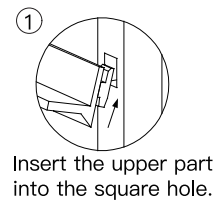
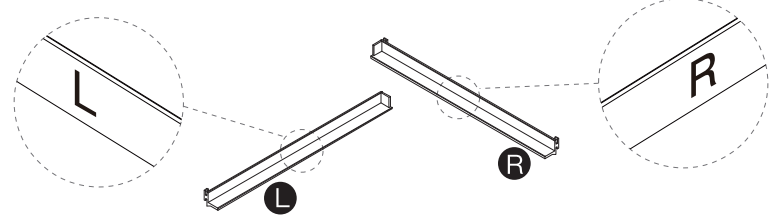
STEP 12



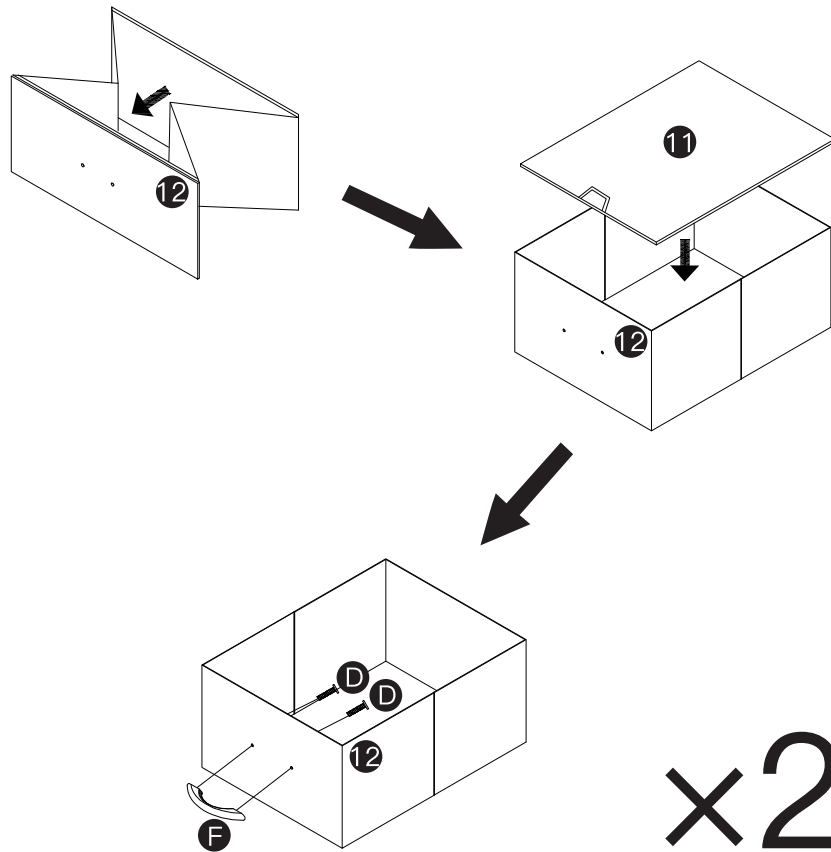
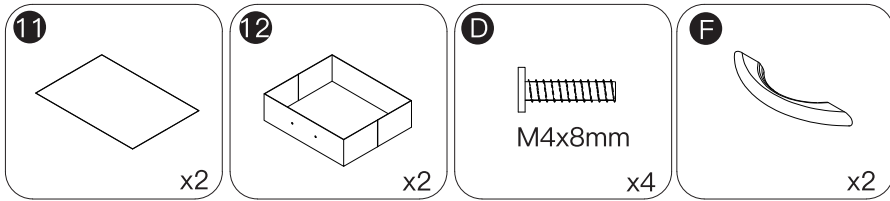
FRONT BACK

NOTICE:

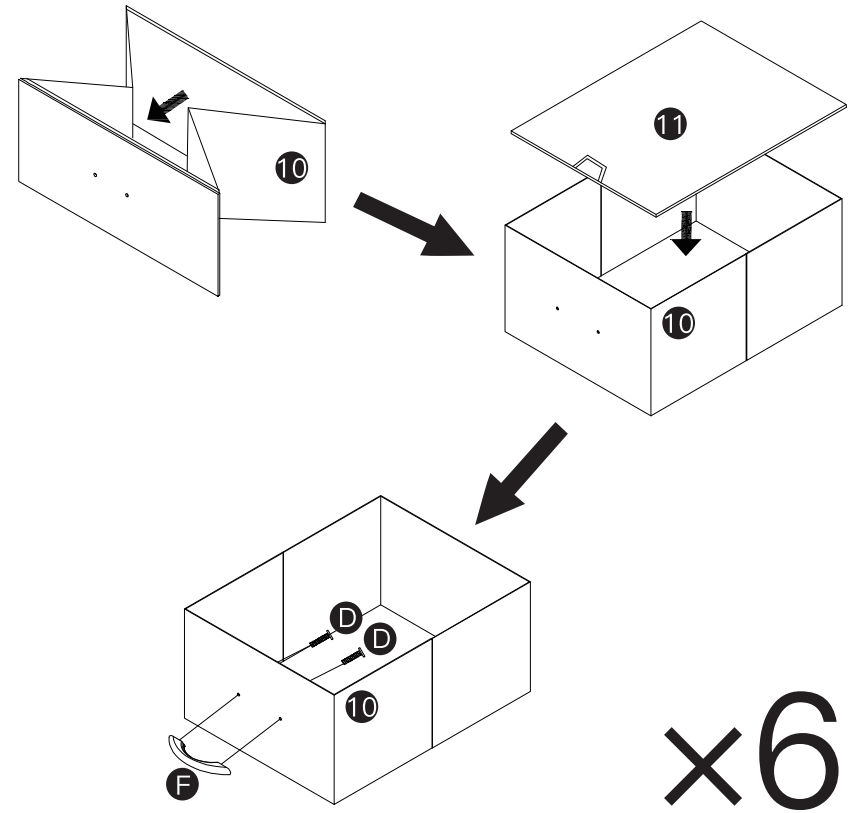
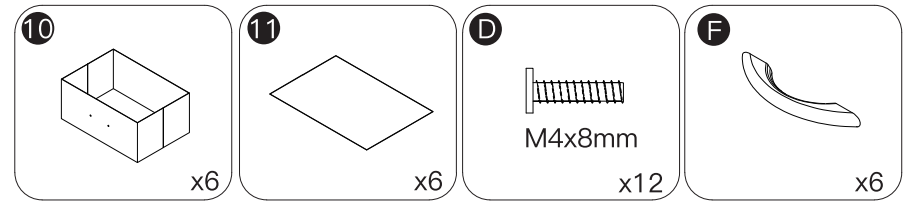
There's a corresponding L and R mark on each part located in a specified spot designed to distinguish them from each other easily.



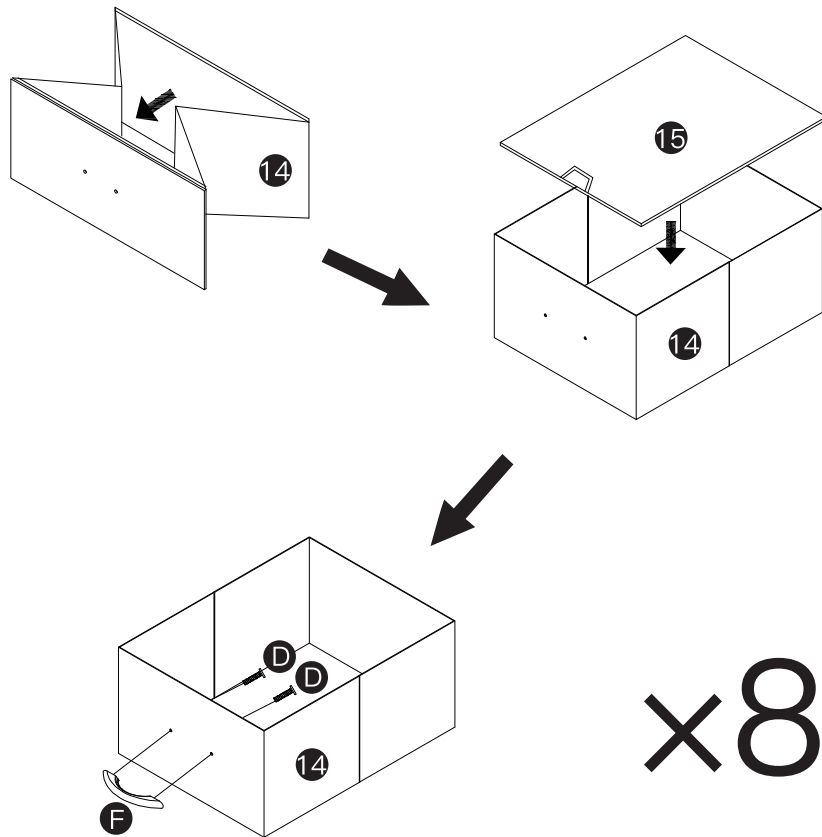
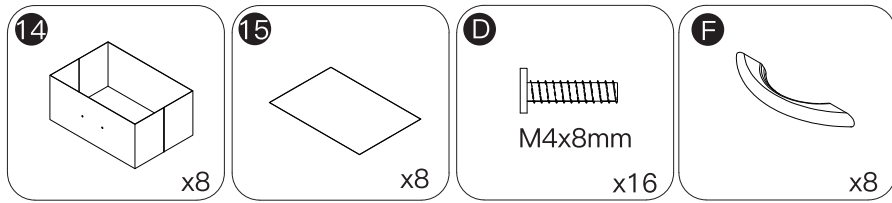
STEP 13



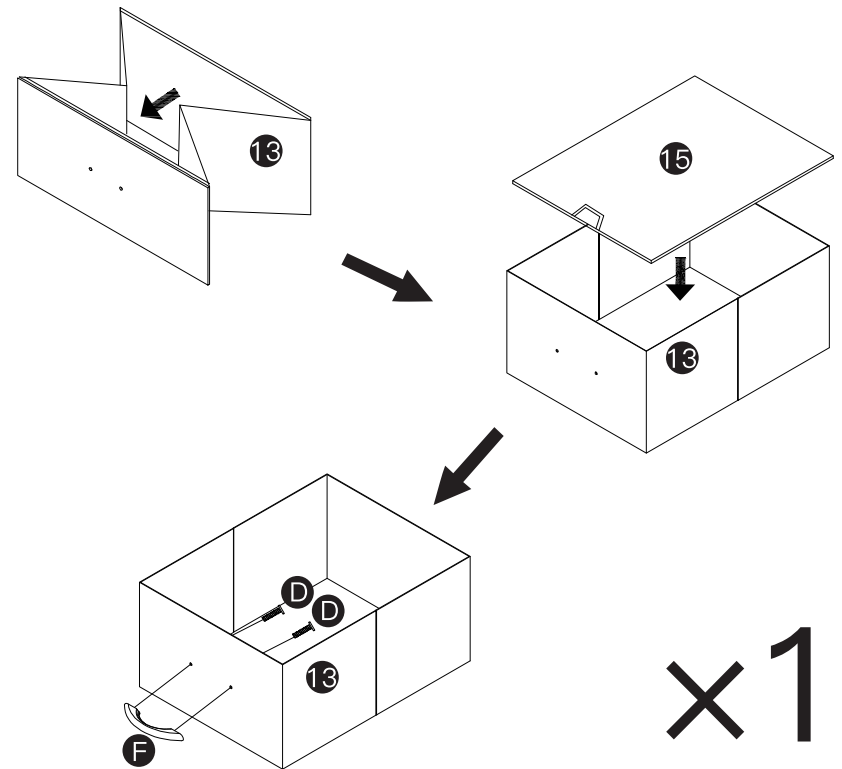
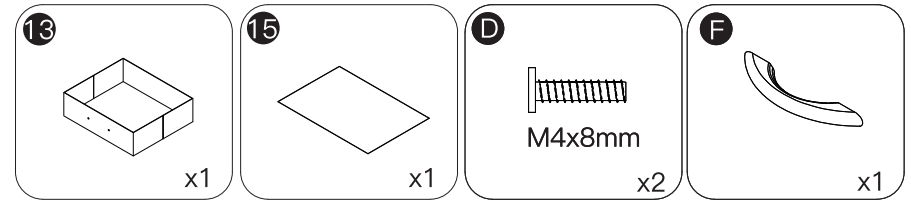
STEP 14



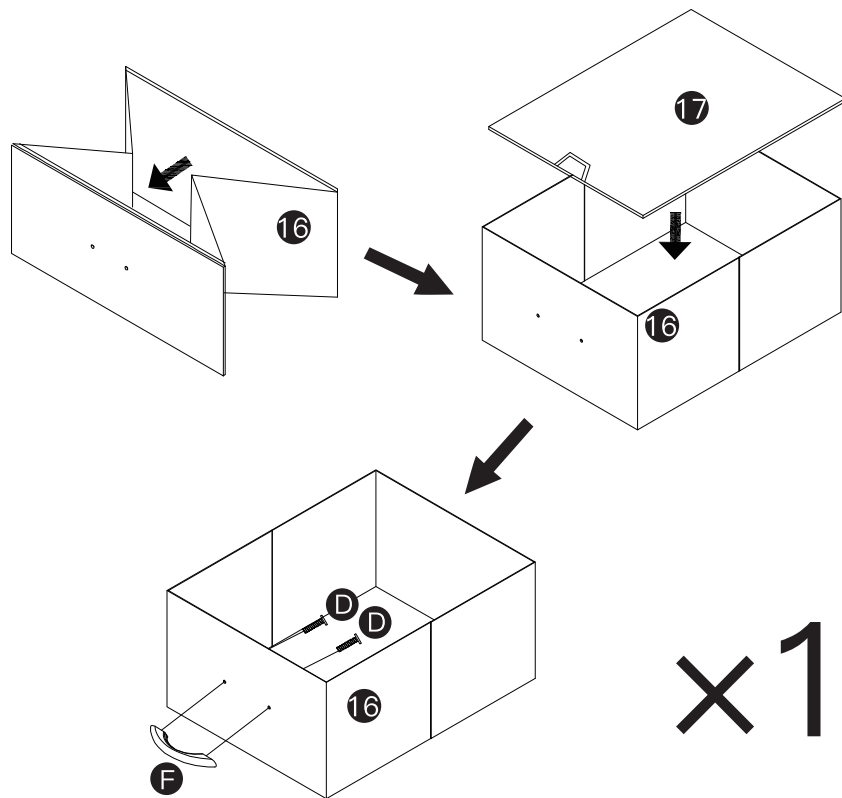
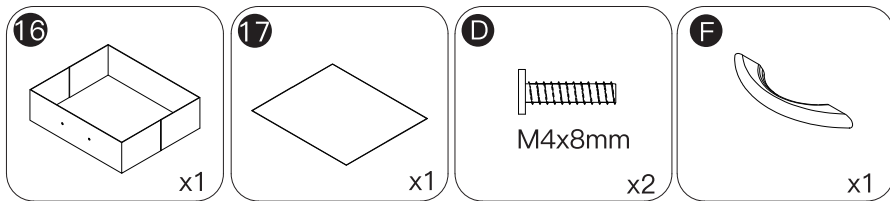
STEP 15



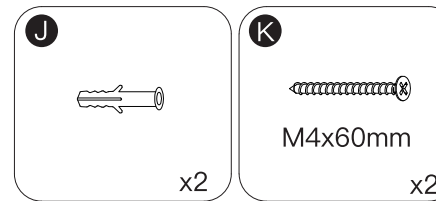
STEP 16



STEP 17

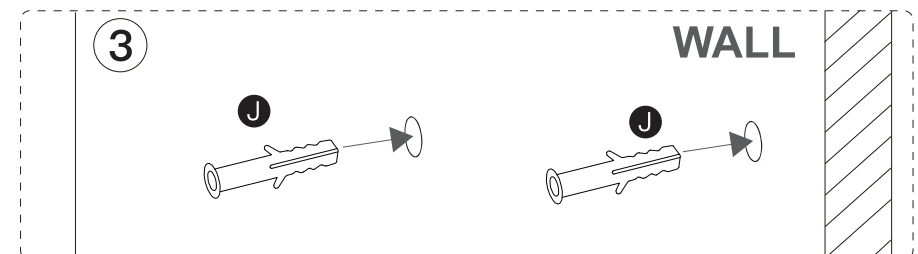
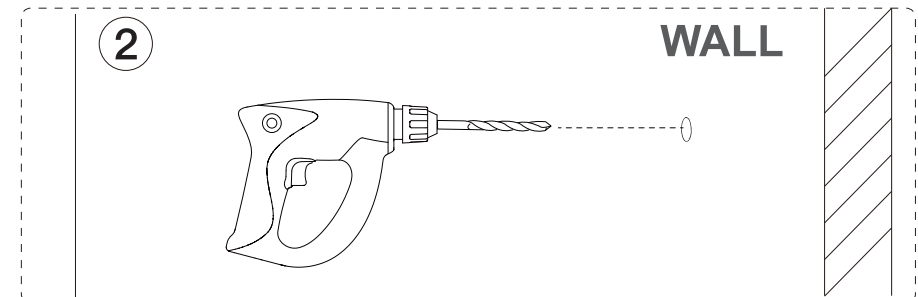
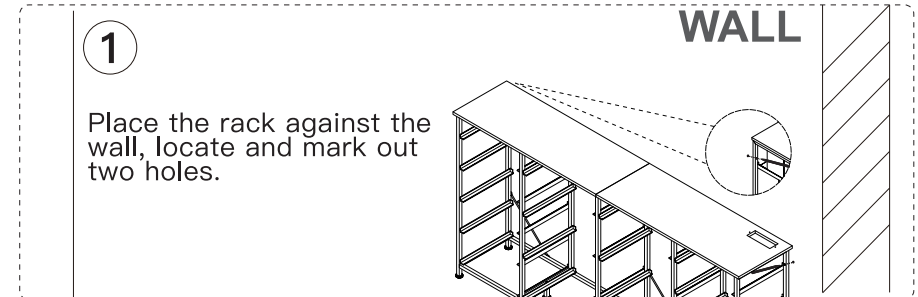


STEP 18



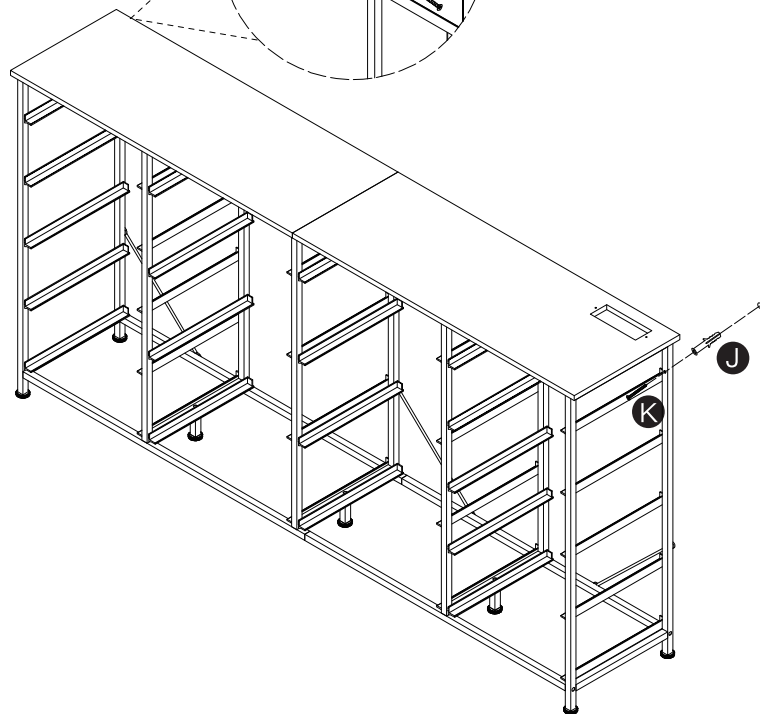
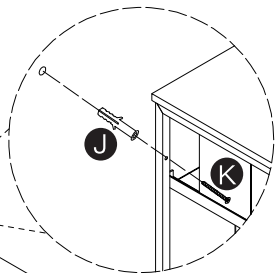
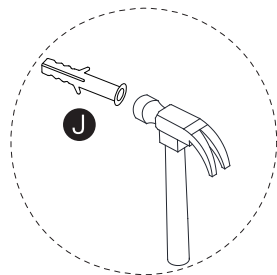
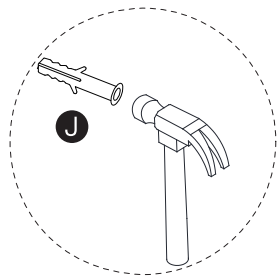
For the safety of you and your family, the **NOTICE Anti-Tip Device Kit** must be installed.

NOTICE:
Electric drill does not included in our parts, please prepare it by yourself.

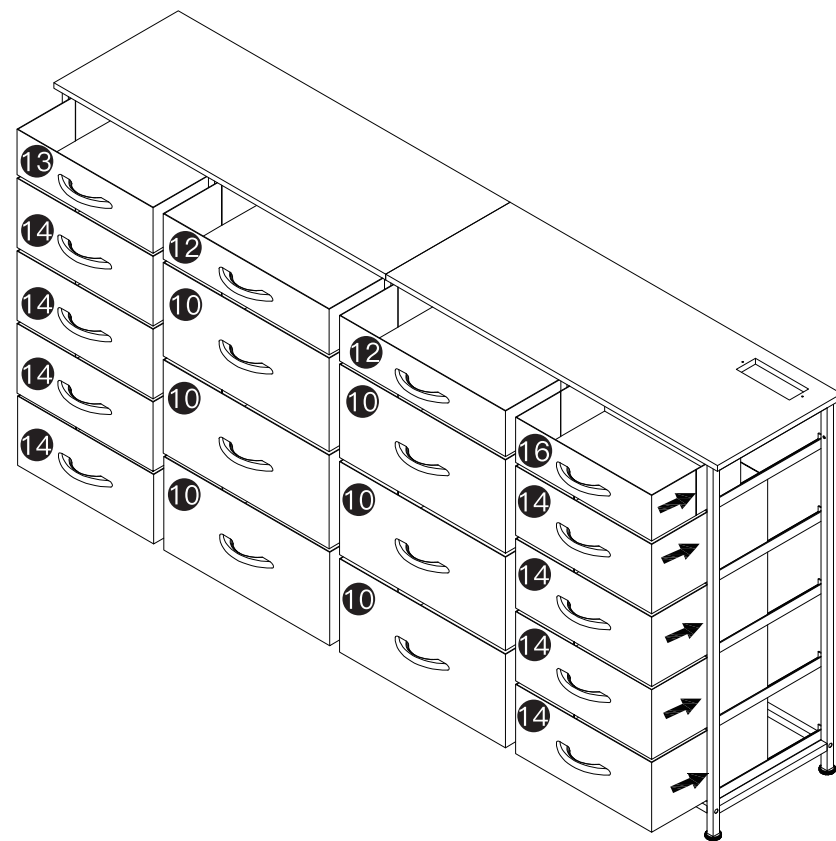


4

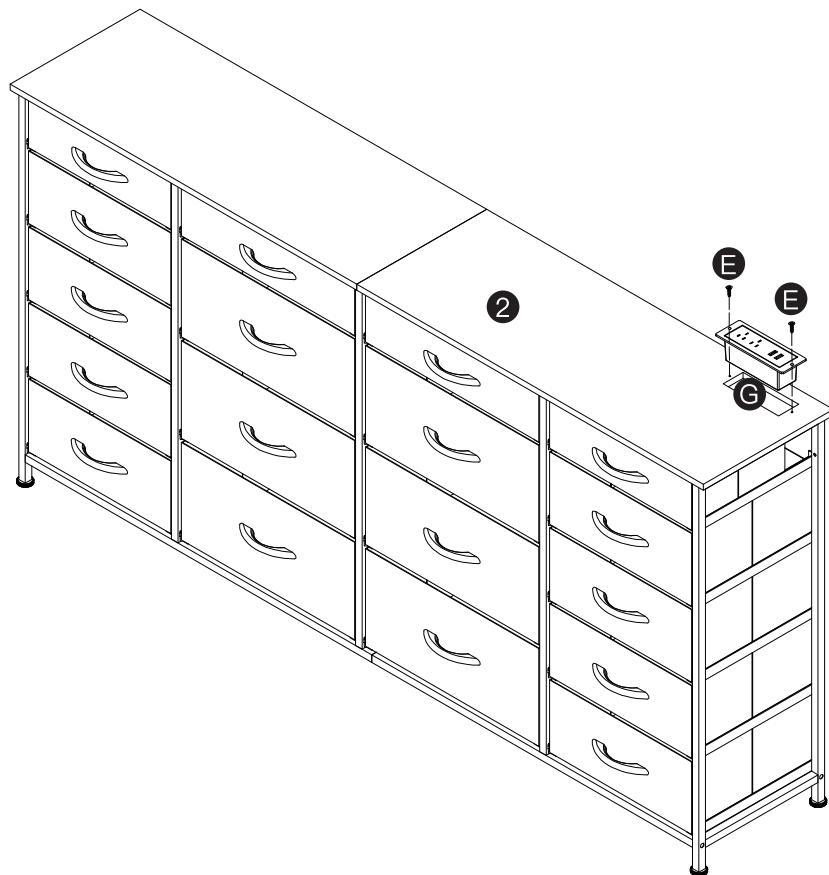
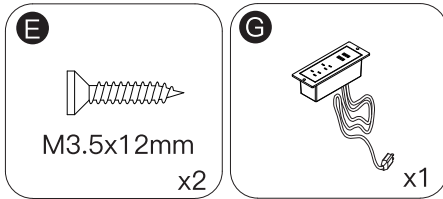
WALL



STEP 19



STEP 20



Light strip

Preparation before Installation

Before installation, please carefully read the instructions for this type. Check whether the light strip, power adapter, controller (if any), and connecting wires are in good condition, without extrusion, cuts, or exposed wires.

Confirm that the output voltage (V), current (A), or power (W) of the power adapter fully matches the rated input parameters of the light strip. **Strictly prohibit use with overvoltage or overpower!**

Confirm that the type of the controller (RF remote control, WiFi, Bluetooth, DMX, etc.) is consistent with your needs and compatible with the light strip (in terms of voltage and signal protocol).

Instructions for Use

(1) Operate the on/off function, dimming, color adjustment, and mode switching according to the controller's instructions. Avoid prolonged full – power operation in extremely high – temperature environments (such as direct sunlight without heat – dissipation measures) or enclosed, poorly ventilated spaces.

(2) Unless necessary, **Do not** frequently turn the power on and off. Avoid pulling, squeezing, or folding the light strip, as this may cause circuit breaks and render the light source inoperable.



Notes

- **Stay away from all water sources:** Use the light strip away from water sources or humid environments.
- **Strictly prohibit live – line operation:** All installation, cutting, connection, and maintenance must be carried out when the power is off.
- **Power adapter:** Be sure to use the original or high – quality power adapter with strictly matching parameters.

- **Pay attention to temperature:** It is normal for the light strip to feel slightly warm when working. But if it feels scalding hot ($> 50^{\circ}\text{C}$), it indicates poor heat dissipation or overload. You must immediately cut off the power and check (installation environment, power matching, whether there is a local short circuit).
- **Professional installation:** For complex installations (such as long – distance, high – power, special environments) or if you lack electrical knowledge, it is recommended to seek the help of a professional electrician.
- **Child safety:** Keep children away from this component; Prevent children from biting, swallowing, or wrapping it around their bodies.



Maintenance Methods

(1) **Cleaning Method:** Before cleaning, be sure to disconnect the power supply and wait for the light strip to cool down. Use a dry or slightly damp soft cloth to gently wipe dust and stains on the surface of the light strip. The surface of the encapsulated glue is relatively easy to clean. It is strictly forbidden to use corrosive chemical cleaning agents (such as strong acids, strong alkalis, alcohol, gasoline, thinner, etc.), abrasives, steel wire balls and other hard objects for wiping, so as not to damage the surface finish, transparency of the encapsulated glue layer or cause aging and cracking. **Do not** soak the light strip in water for cleaning!

(2) **Inspection and Maintenance:** Regular inspection (recommended quarterly or semi – annually): Check whether the light strip has physical damage (such as cuts, indentations, colloid cracking, degumming). Check whether all connection points (joints, solder joints, power interfaces) are firm, free of rust, and free of water ingress marks. Check whether the waterproof measures (end caps, connector seals, sealant) are in good condition and not aged and ineffective. Check whether the fixing devices (back glue, buckles, cable ties) are loose or fallen off.

Power strip

Preparation before Installation

Ensure the rated voltage range marked on the power strip covers your local voltage. **Never use** it if they don't match!

Carefully check the maximum rated power (in Watts, W) or maximum current (in Amperes, A) marked on the power strip. This indicates the total load limit the strip can handle.

Instructions for Use

(1) Insert the power strip plug fully into the wall socket to ensure good contact.

(2) Plug appliances directly into the power strip's sockets. Never daisy-chain (cascade) another power strip onto this one, especially for high-power devices. This significantly increases the risk of overloading and circuit overheating.



Notes

- **Waterproof and moisture – proof:** Keep away from water sources. Do not cover the power strip (such as covering it with blankets, books, curtains). Ensure there is enough space around for heat dissipation. Stay away from heat sources and flammable materials. **Do not** let heavy objects press on the power cord or the power strip itself. **Do not** bend, pull, or step on the power cord. Do not use nails to fix the power cord.
- **Regular Touch Checks:** After using for a while (especially after using high-power devices), gently touch the power strip casing and power cord with the back of your hand. A slight warmth is normal (heat is generated when electricity passes through), but if it feels hot to the touch, stop using it immediately and unplug all devices!
- **Child Safety:** If there are children in the household, choose a power strip with safety shutters (to prevent foreign objects from being inserted into individual sockets) and educate children not to play with the power strip or power cord.



Maintenance Methods:

(1) **Regular Cleaning:** Be sure to first unplug all plugs and disconnect the power strip from the wall socket, then wipe dust off the casing and power cord with a dry, soft cloth, use a dry, soft brush to clean gaps, strictly prohibit using liquid cleaners like wet cloths, cleaning agents, alcohol, sprays, etc. as liquid seeping inside can cause short circuits and electric shock risks; if there's dust in the sockets, carefully clean them using a can of dry compressed air (keep a certain distance) or a dry, soft brush and never poke the sockets with metal objects such as paper clips or toothpicks!

(2) **Regular Inspection:** Conduct inspections once a month or once a quarter: check if the power cord has damage, hardening, cracks, indentations, or pet bite marks; check if the plug and sockets have signs of scorching, deformation, looseness, or poor contact; inspect the casing for cracks, deformation, or traces of abnormal heating; and smell for any unusual burning odor (even when not powered on, internal faults may leave residual odors). If any of the above issues are found, stop using it immediately and replace it!

(3) **Avoid Improper Operation:** Do not force mismatched plugs into the sockets; when plugging in or unplugging, hold the plug itself with your hand and Do not pull the power cord; Do not place the power strip in locations where it may be stepped on or cause people to trip.

AFTERSALE SERVICE

Dear customer,

Thank you so much for purchasing the product from us, we really appreciate your support.

We are aimed to provide the best shopping experience to our customers. We also want to build a mutually beneficial relationship with our customers, and step further to make our brand both reliable, responsible and recommendable.

We hope that our products could meet your needs and expectations, please consider us again if you need more products for your home and kitchen.

The package would be out of our control during shipping, please contact us through your purchasing channel directly if there is anything wrong with the box or contents. We are always here offering you our service.

We will reply your messages within 24 hours, please kindly wait for the response from our professional service team.

Your comfort and contentment are of utmost importance.

Best Regards,
Customer Care Specialist