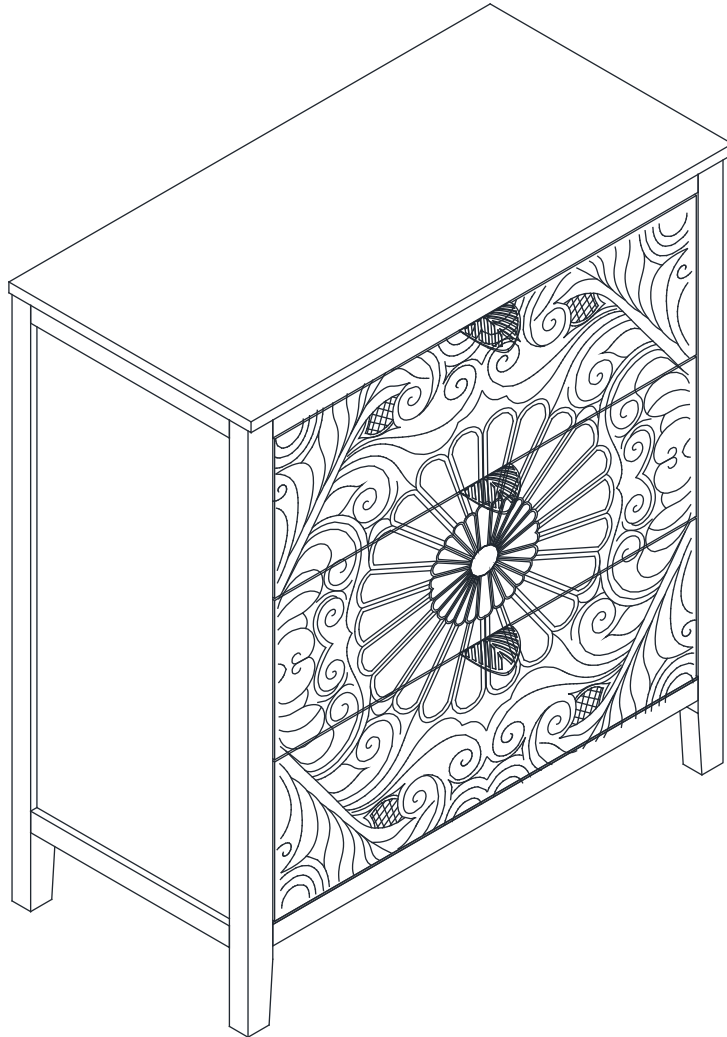


Installation Instruction



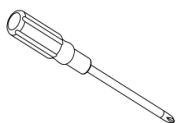
Product Name

3 Drawer Cabinet

Assembling

What you need

- Use the packaging carton as a working surface to prevent product damage during assembly
- Phillips head screwdriver



Weight Limitation



What's included

Code	Description	Qty
A	Bolt M6X35MM	8
B	Screw Φ 4x25MM	15
C	Screw Φ 3x16MM	8
D	Screw Φ 3x12MM	24
E	Slide Sets	3
F	Metal Washer	8
G	Handle	3
H	Allen Key	1
I	Plastic Corner Support	8
J	Screw Φ 4x35MM	2
K	Metal Plate	2
L	Screw M4X12MM	8
M	Anchor M6X30MM	2
N	Cam Bolt M6X35MM	15
O	Cam Lock 15X10MM	15
P	Wooden Dowel M6X30mm	4

The Hardwares

A



B



C



D



E



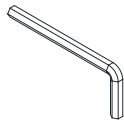
F



G



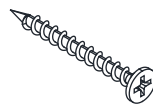
H



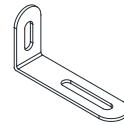
I



J



K



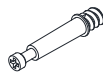
L



M



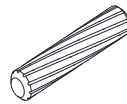
N



O



P



IMPORTANT:

1. Do not tighten bolts / screws completely until all bolts / screws are lined up and inserted into holes.
2. Do not over tighten screws and bolts to avoid stripping.
3. Please use hand tools to assemble this product. Do not use power tools.
4. Must need 2 people to assemble this product.

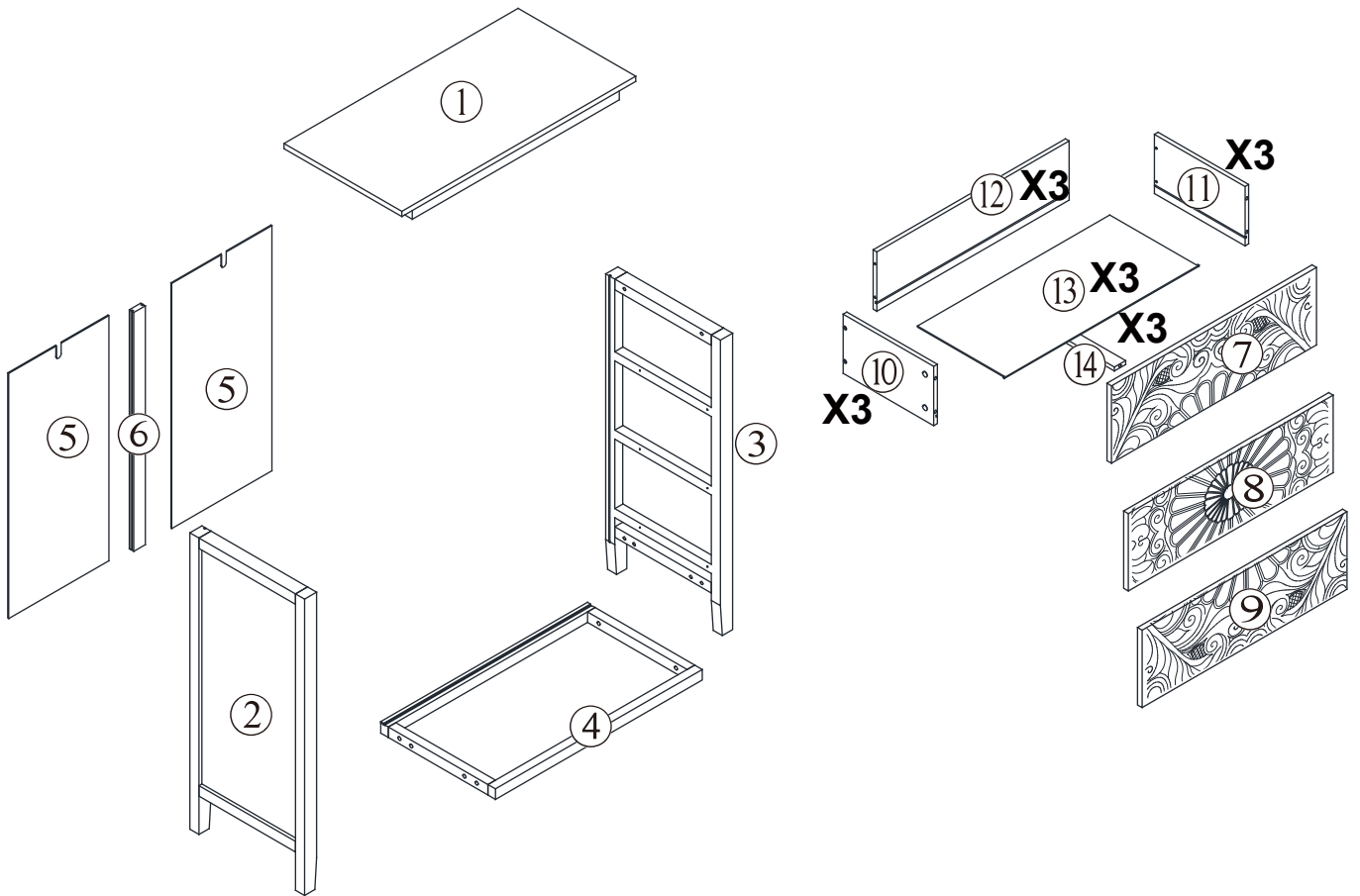


2 PERSONS

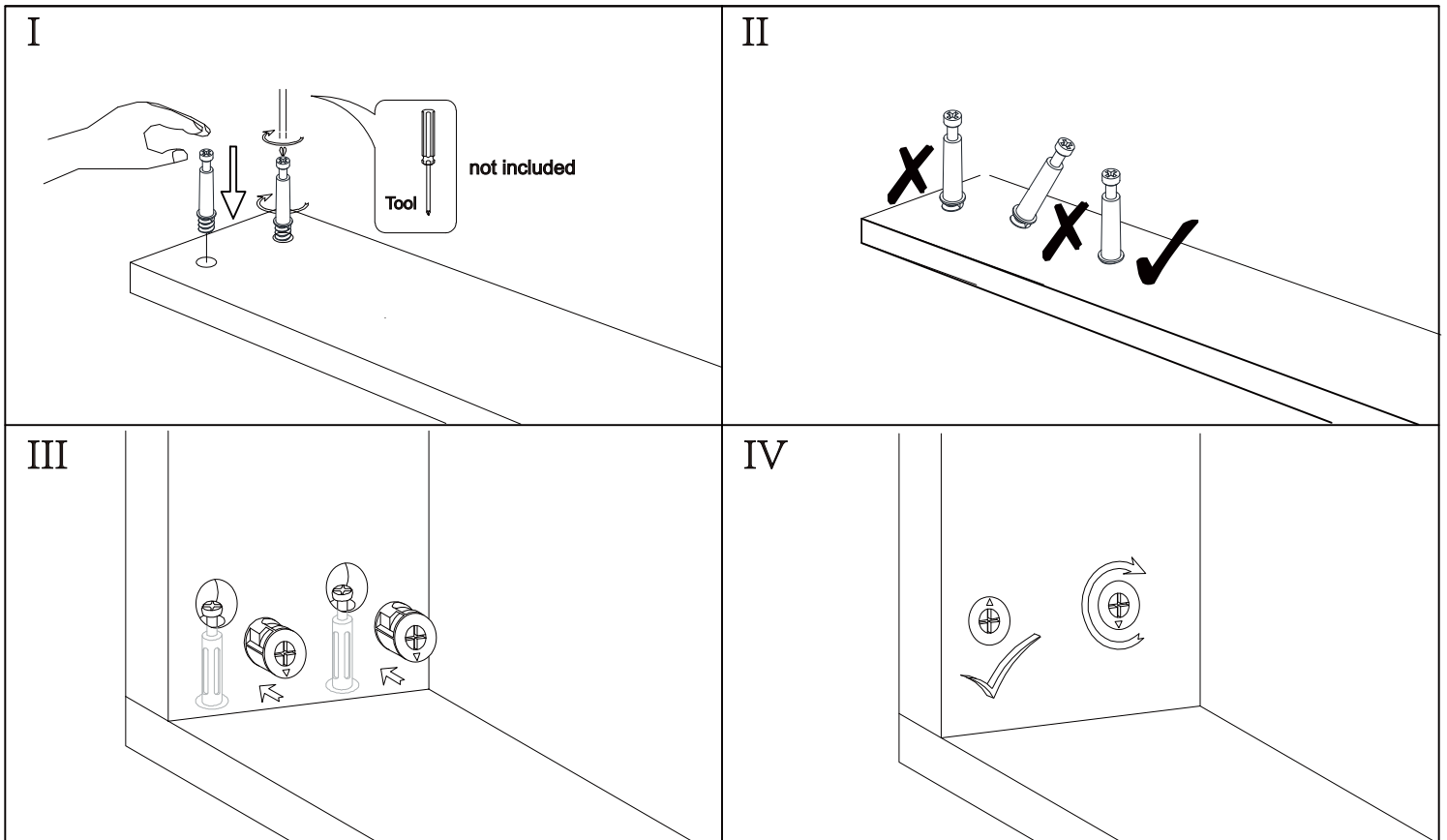
Included Accessories

Code	Description	Qty
1	Cabinet Top	1
2	Left Side Panel	1
3	Right Side Panel	1
4	Bottom Panel	1
5	Back Panel	2
6	Back Stretcher	1
7	Upper Drawer Front Panel	1
8	Middle Drawer Front Panel	1
9	Lower Drawer Front Panel	1
10	Drawer Left Side Panel	3
11	Drawer Right Side Panel	3
12	Drawer Back Panel	3
13	Drawer Bottom Panel	3
14	Drawer Bottom Support Panel	3

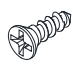

The Accessoriess

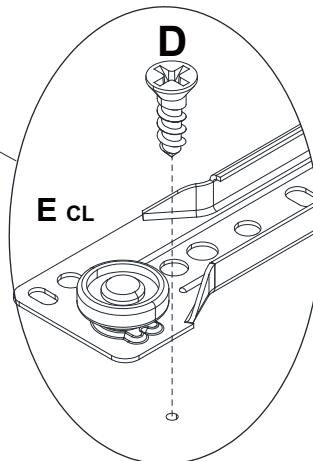
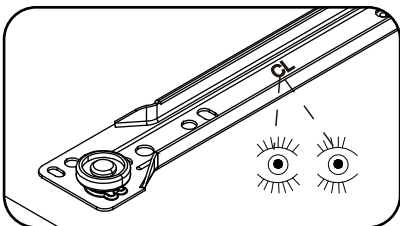
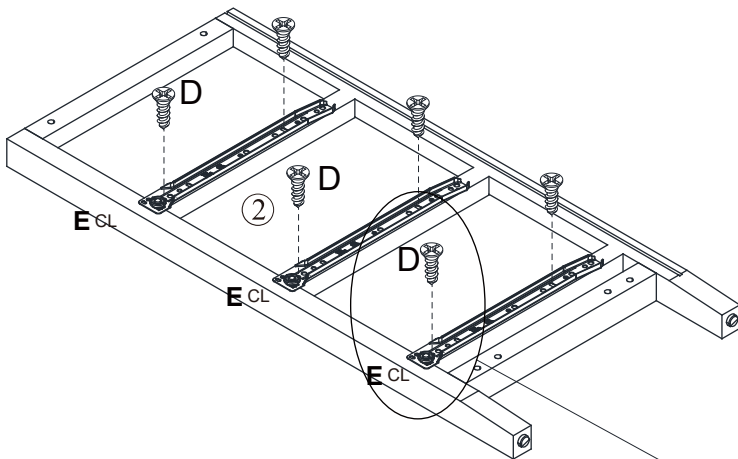
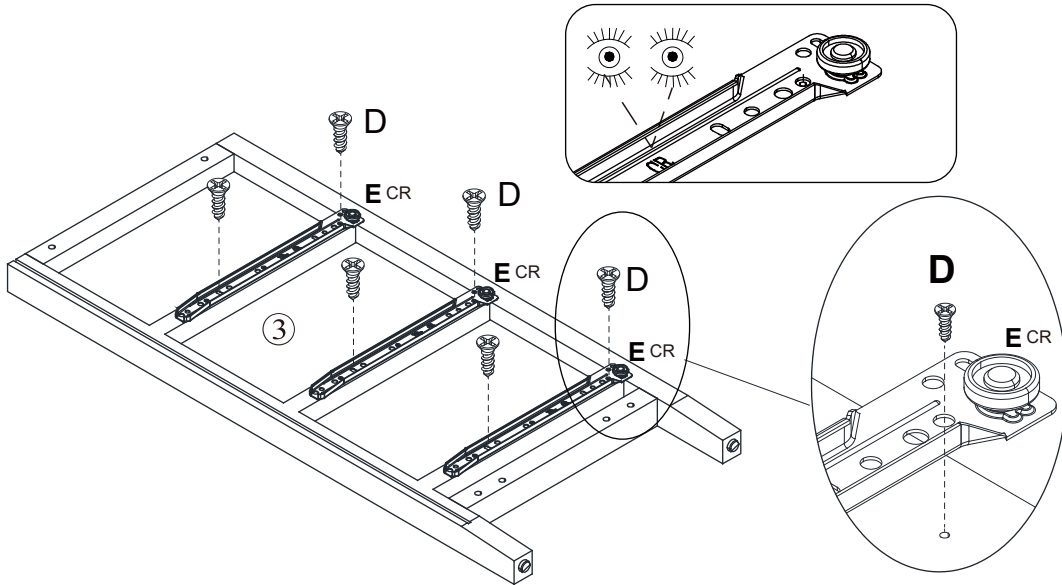


NOTED:

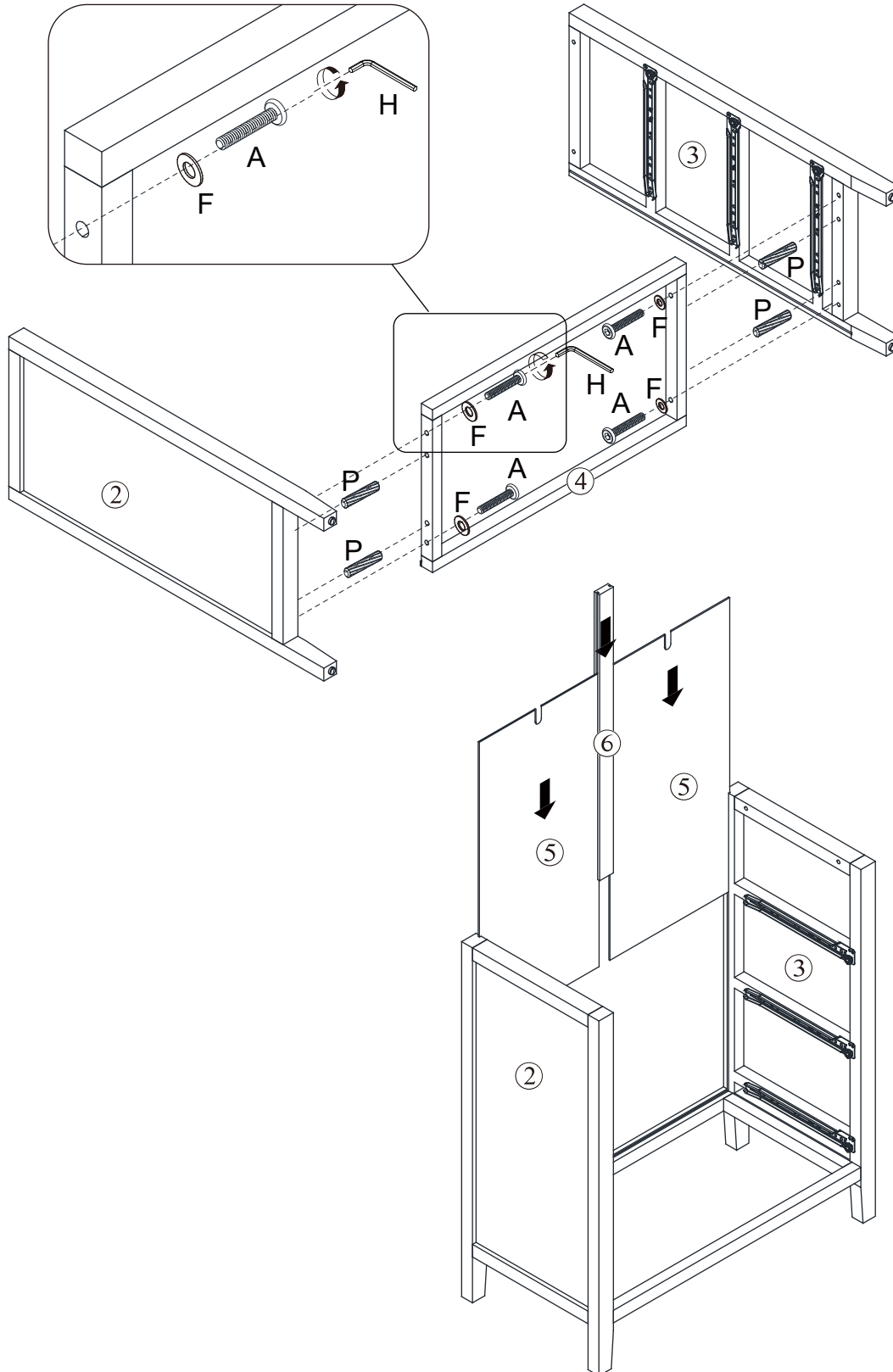
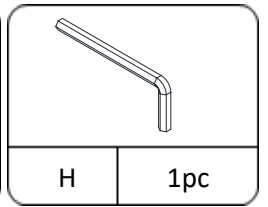
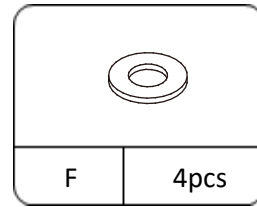
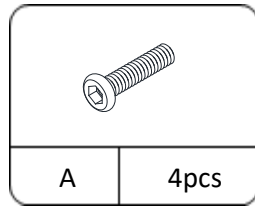
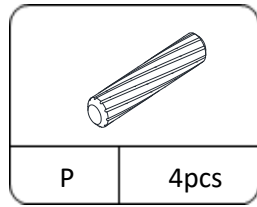


Step1

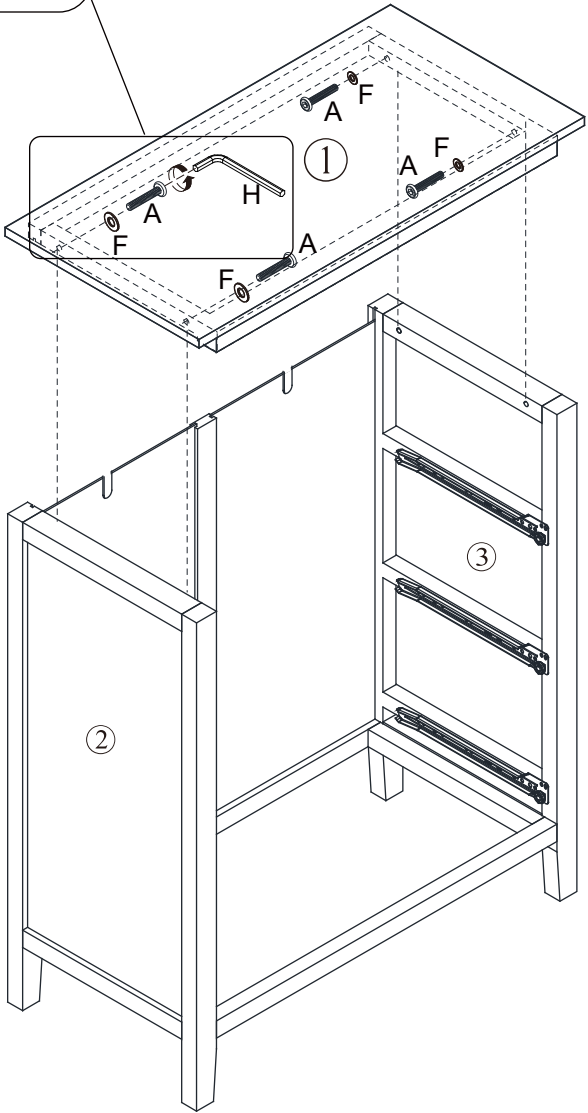
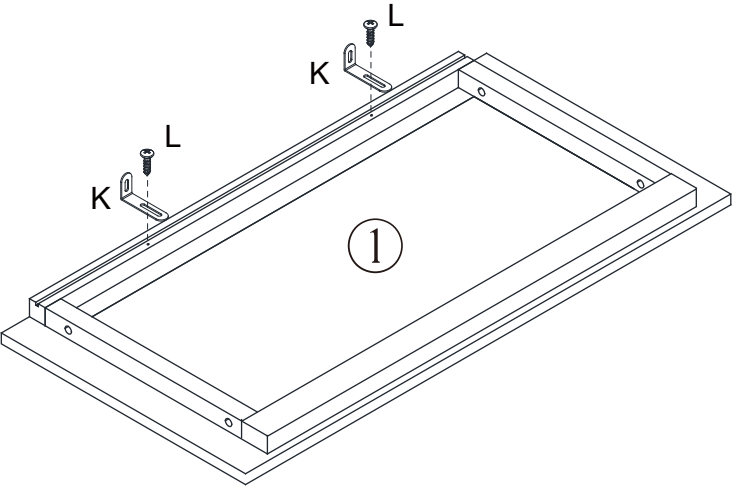
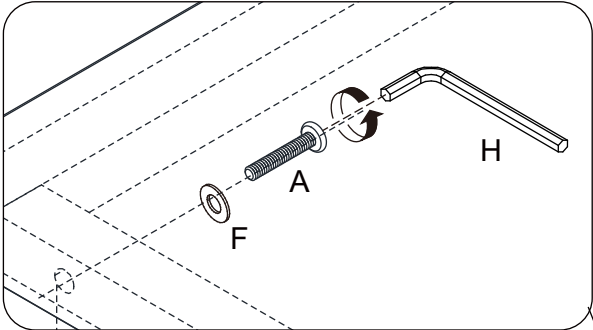
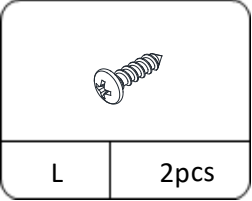
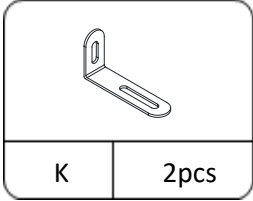
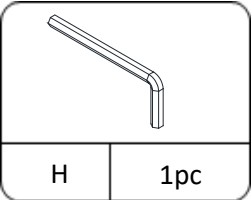
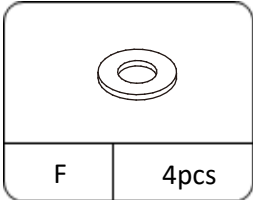
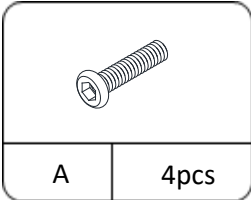
			
D	12 pcs	E	3 pcs



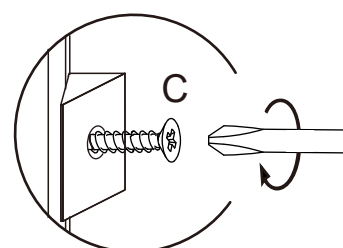
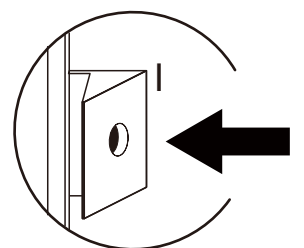
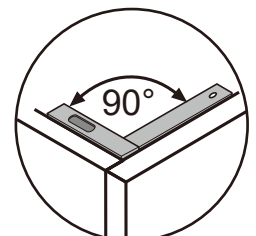
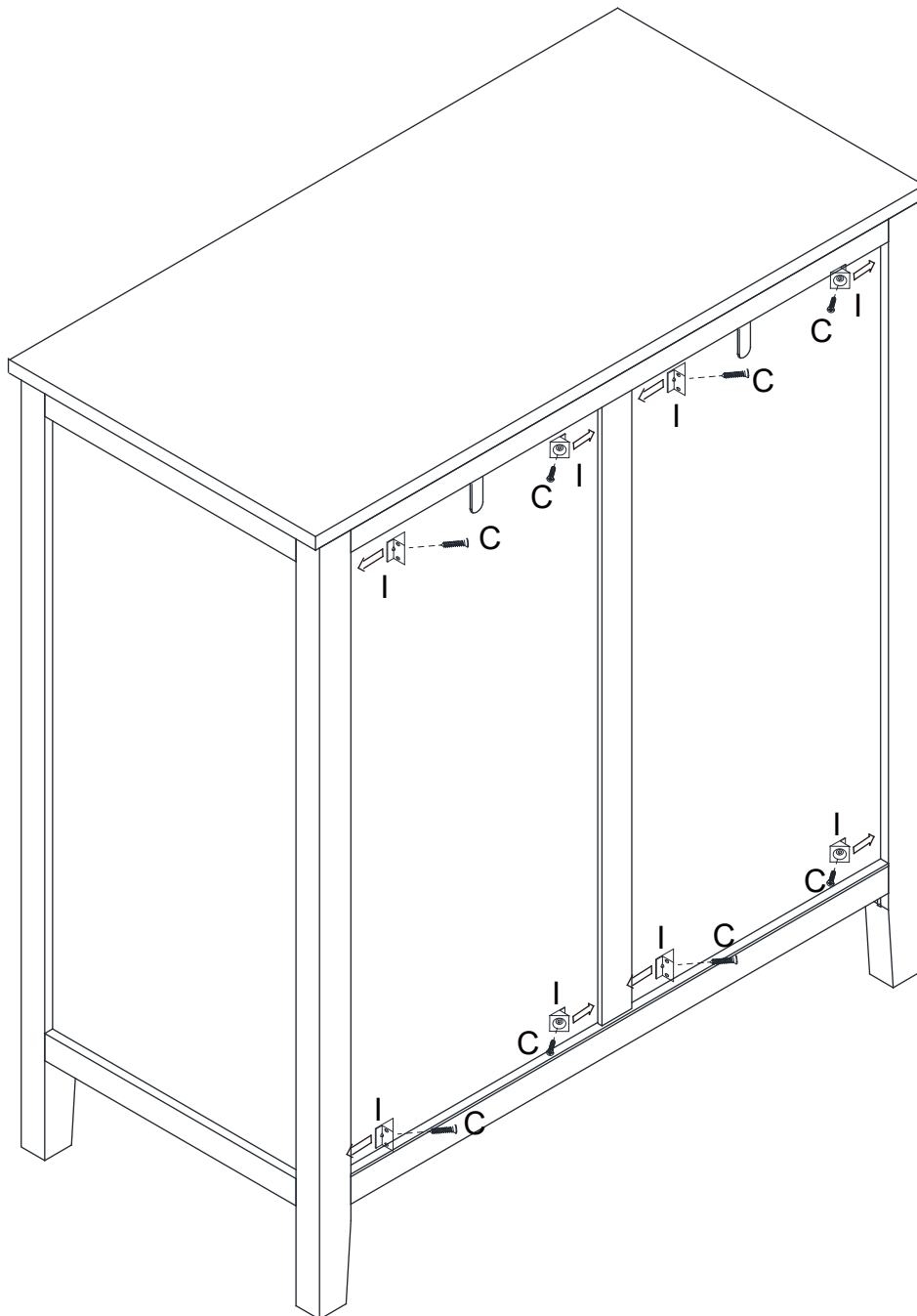
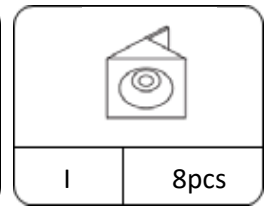
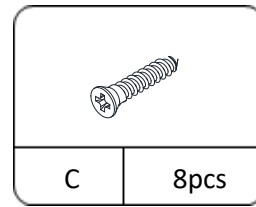
Step2



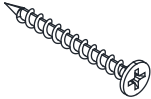

Step3

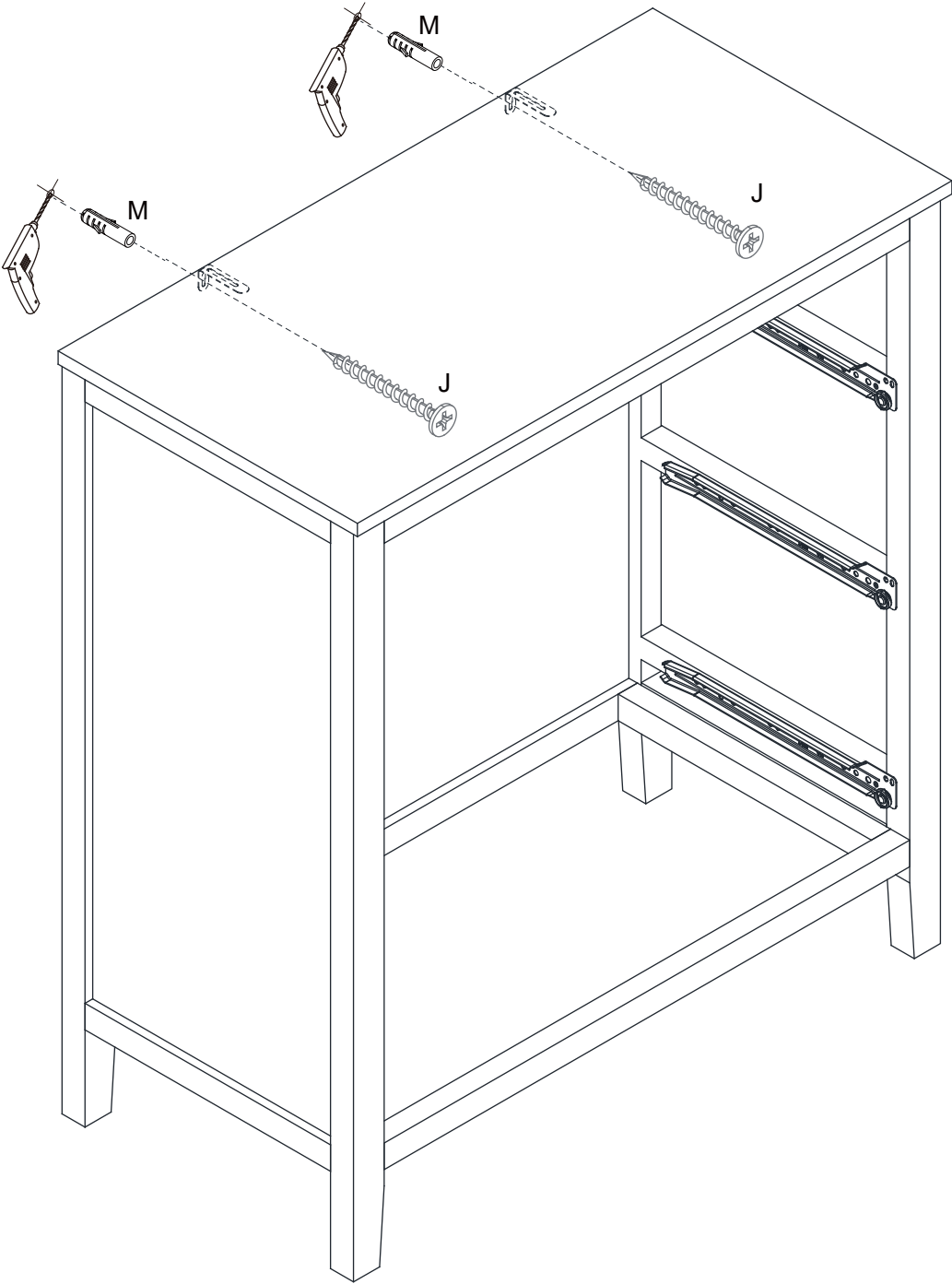


Step4




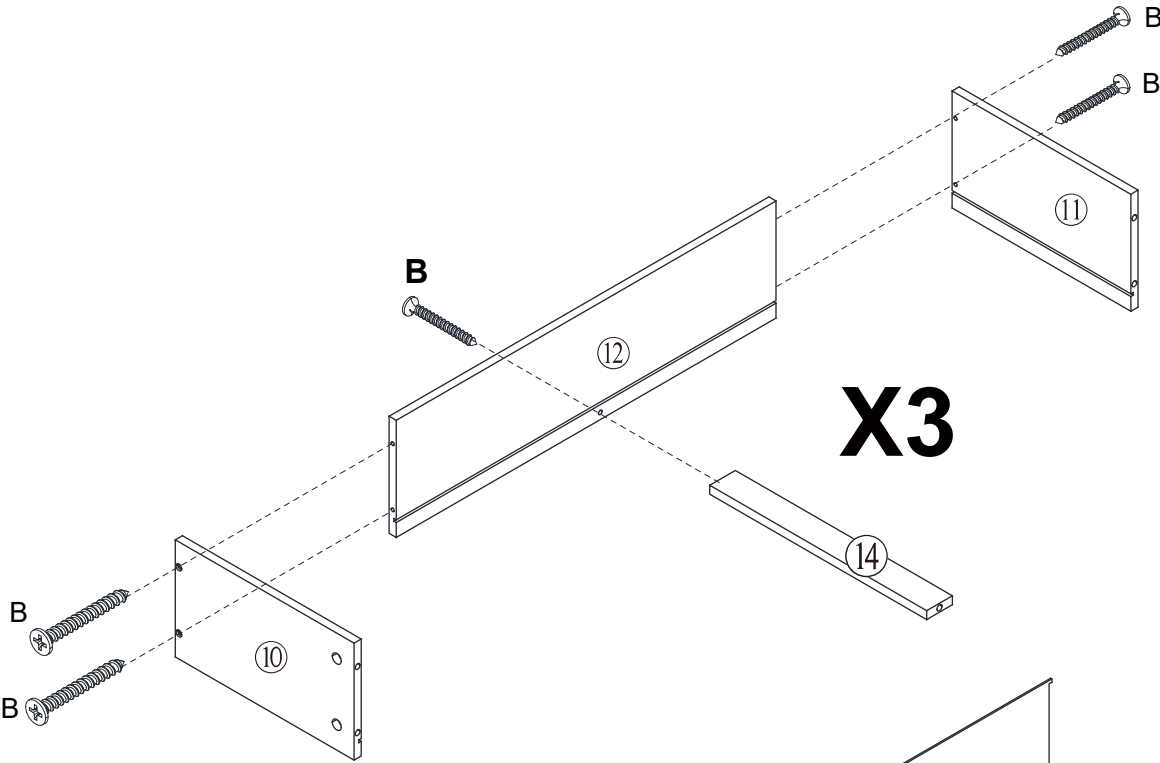
Step5

	
J	2pcs
M	2pcs

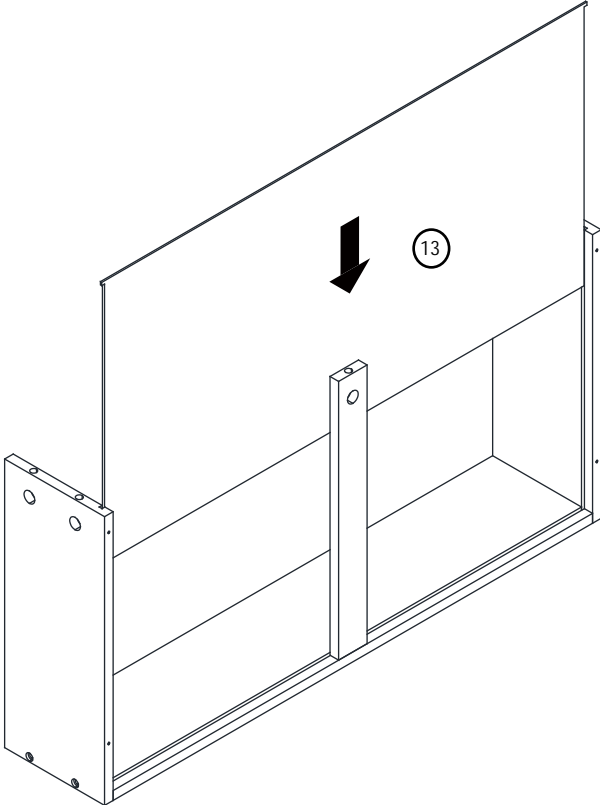


Step6

	
B	15pcs





X3

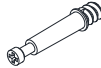



X3

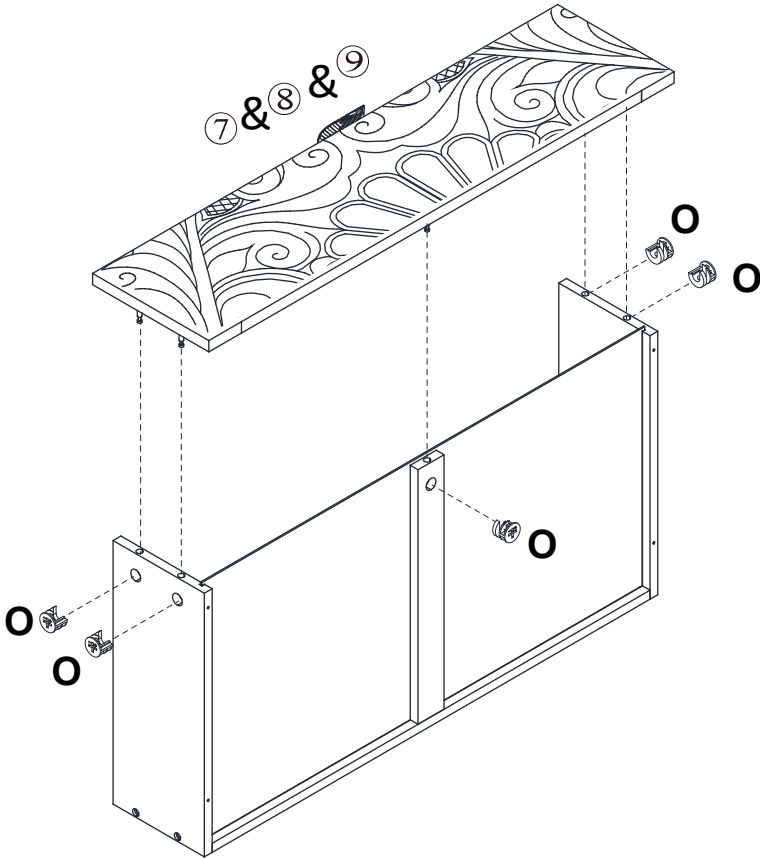
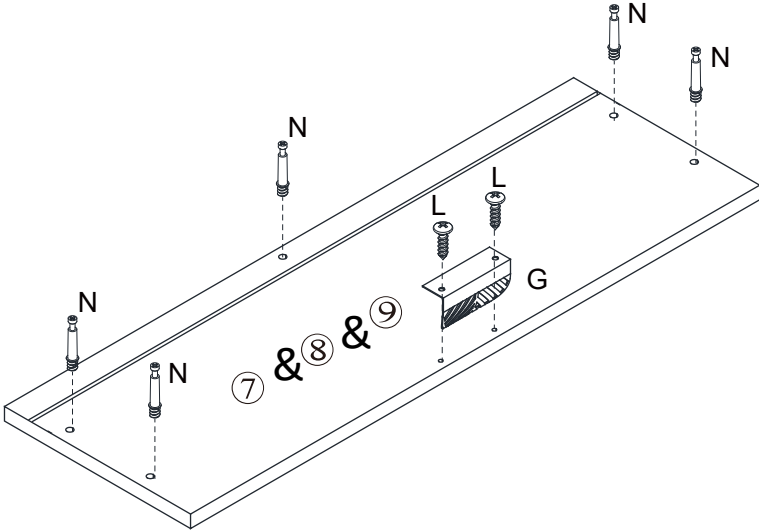
Step7

	
G	3pcs

	
L	6pcs



	
N	15pcs

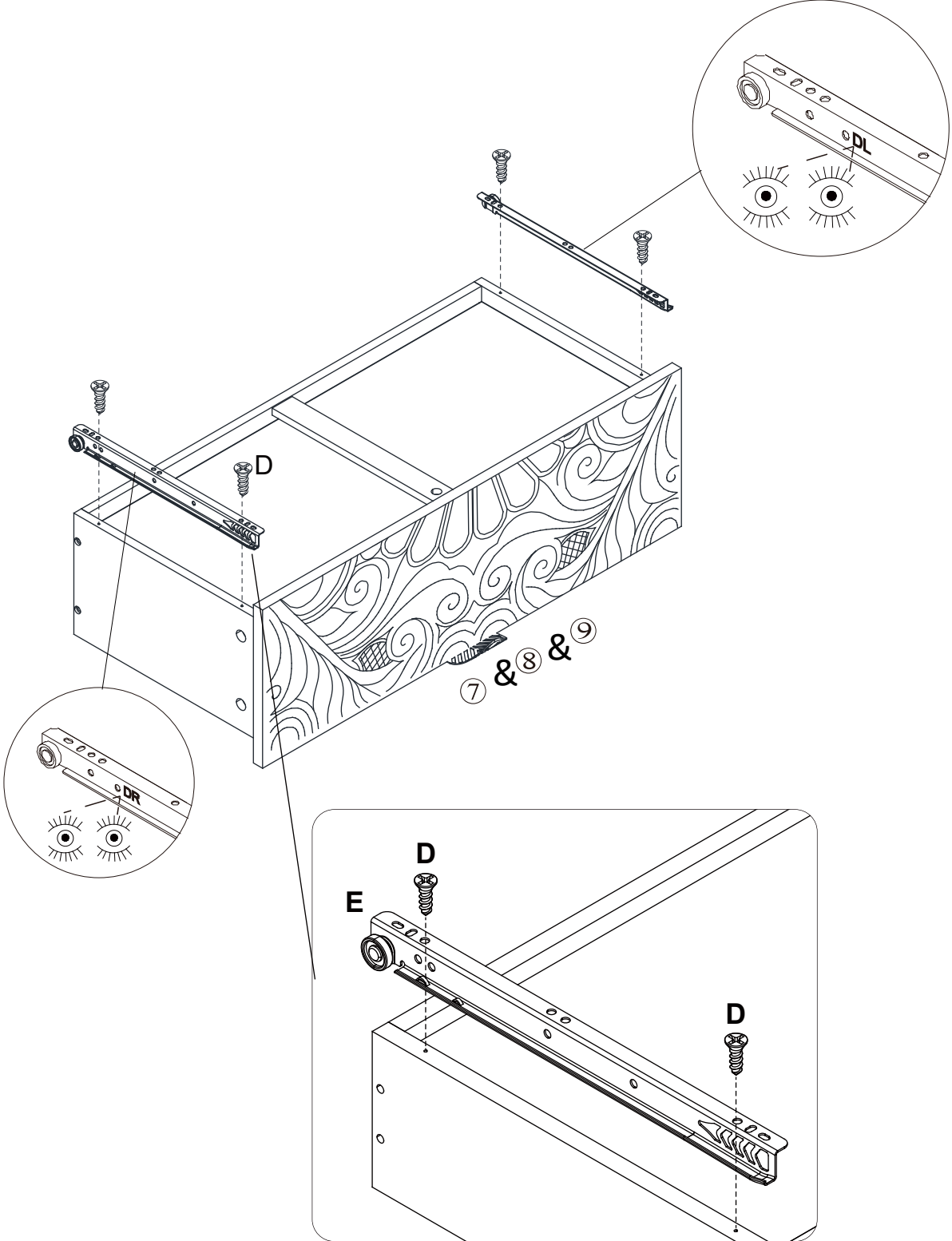
	
O	15pcs



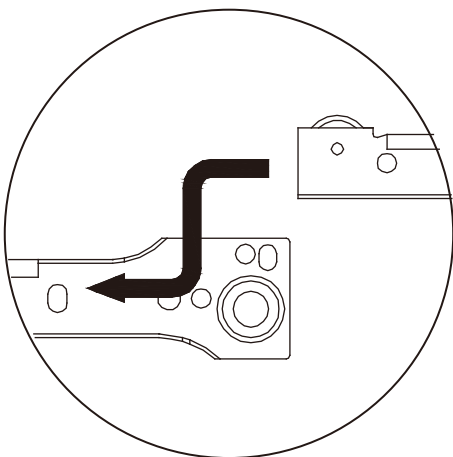
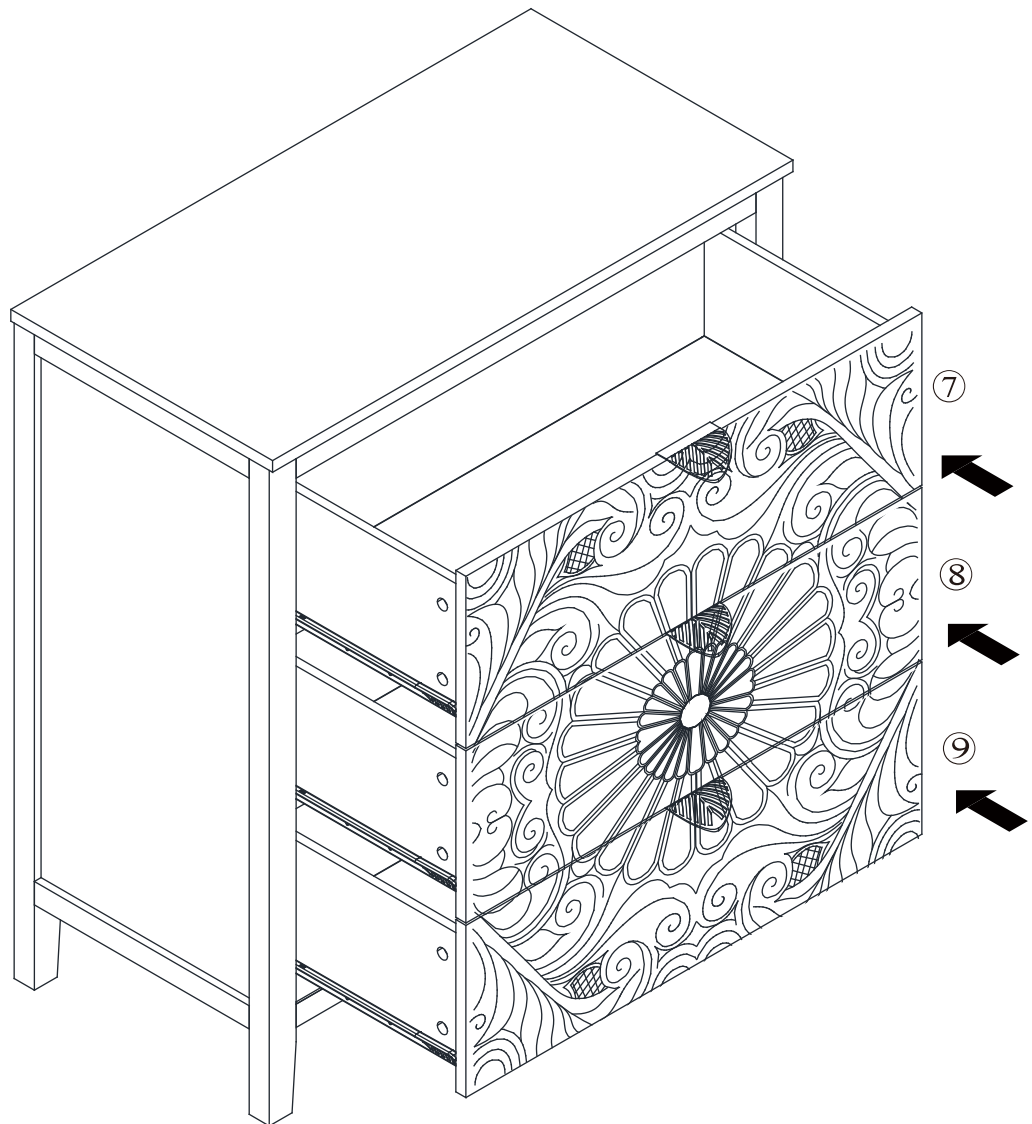
X3

Step 8

			
D	12 pcs	E	3 pcs



Step 9



Proper Use

- DO NOT** use for commercial purposes
- DO NOT** use as a step stool or stand on table
- DO NOT** put hot serving liquid directly on the table top
- DO NOT** leave spilled liquid on the table top
- DO NOT** use table if damaged
- DO NOT** exceed weight limit
- DO NOT** make temporary repairs
- DO NOT** use outdoor

Dear Customer:

Thank you for purchasing our product, we wish you satisfy our service, if you have any further questions or any quality issues, please show the belows number and don't hesitate to contact our Customer Service People :