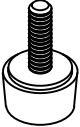
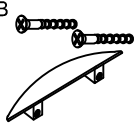
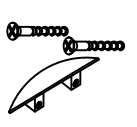
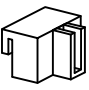

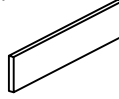
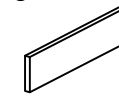



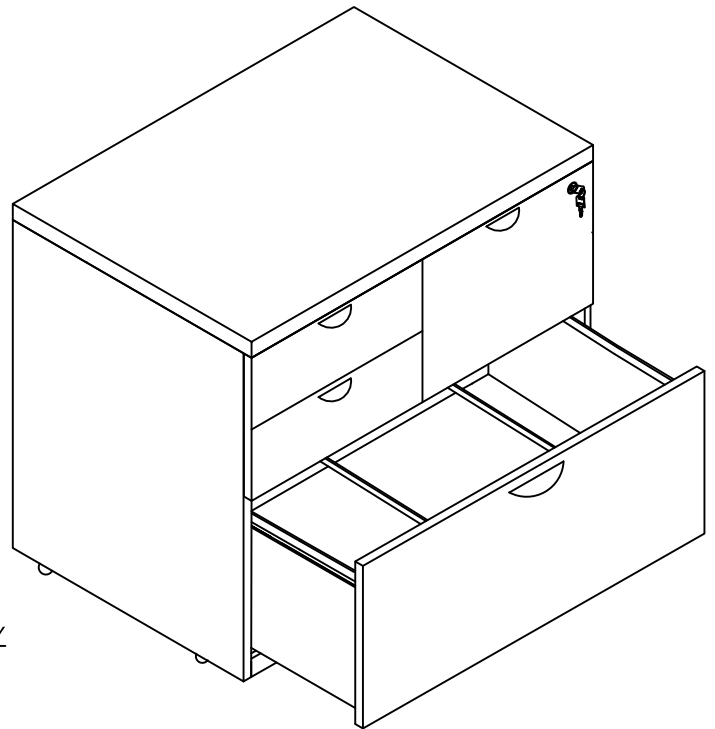
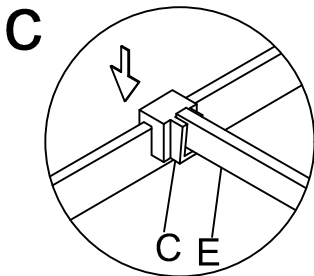
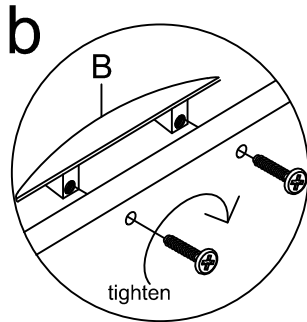
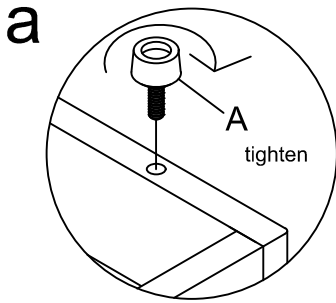
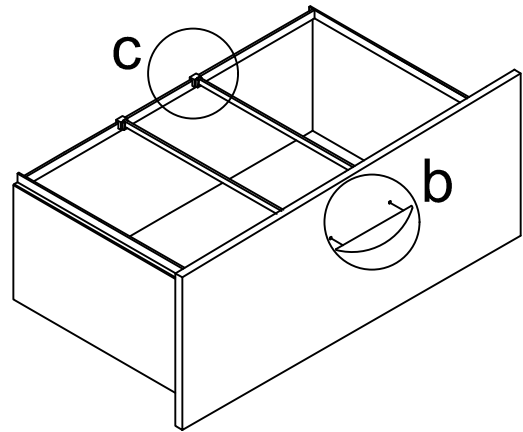
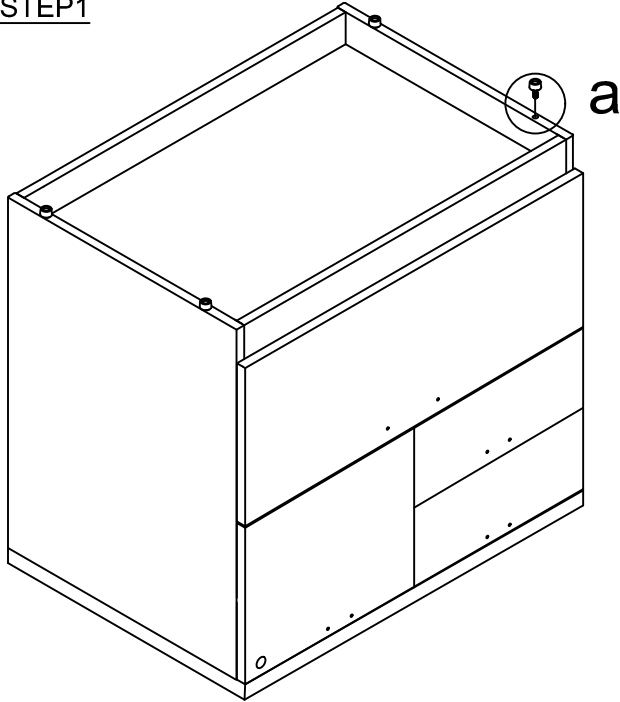
# Assembly Instructions

## 4 DRAWER LATERAL FILE

TUN021AG	TUN006MH	TUN005MH	TUN001FC				
<b>A</b> 	<b>B</b> 	<b>C</b> 	<b>D</b> 	<b>E</b> 	<b>F</b> 	<b>G</b> 	<b>H</b> 
Adjustable Glide 4 PCS	96mm Metal Scallop shape Handle 1Set	32mm Metal Scallop shape Handle 3Set	File clip 8Pcs	675*16*3mm Aluminium Bar 1Pc	377*16*3mm Aluminium Bar 2Pcs	297*16*3mm Aluminium Bar 1Pc	Keys 1set

### STEP1

### STEP2



COMPLETED ASSEMBLY

#### IMPORTANT NOTE:

- Place all laminated parts on a clean and smooth surface such as a rug or carpet to avoid the parts from being scratched.
- Check to be sure that you have all parts and hardware.
- Remove all wrapping materials, including staples & packing straps before you start to assemble.
- Don't tighten all screws/bolts until all completely assembled.
- Keep all hardware parts out of reach of children
- If the product is not working properly, is missing a part, is damaged, or if you have any questions, please call customer service hotline before returning.