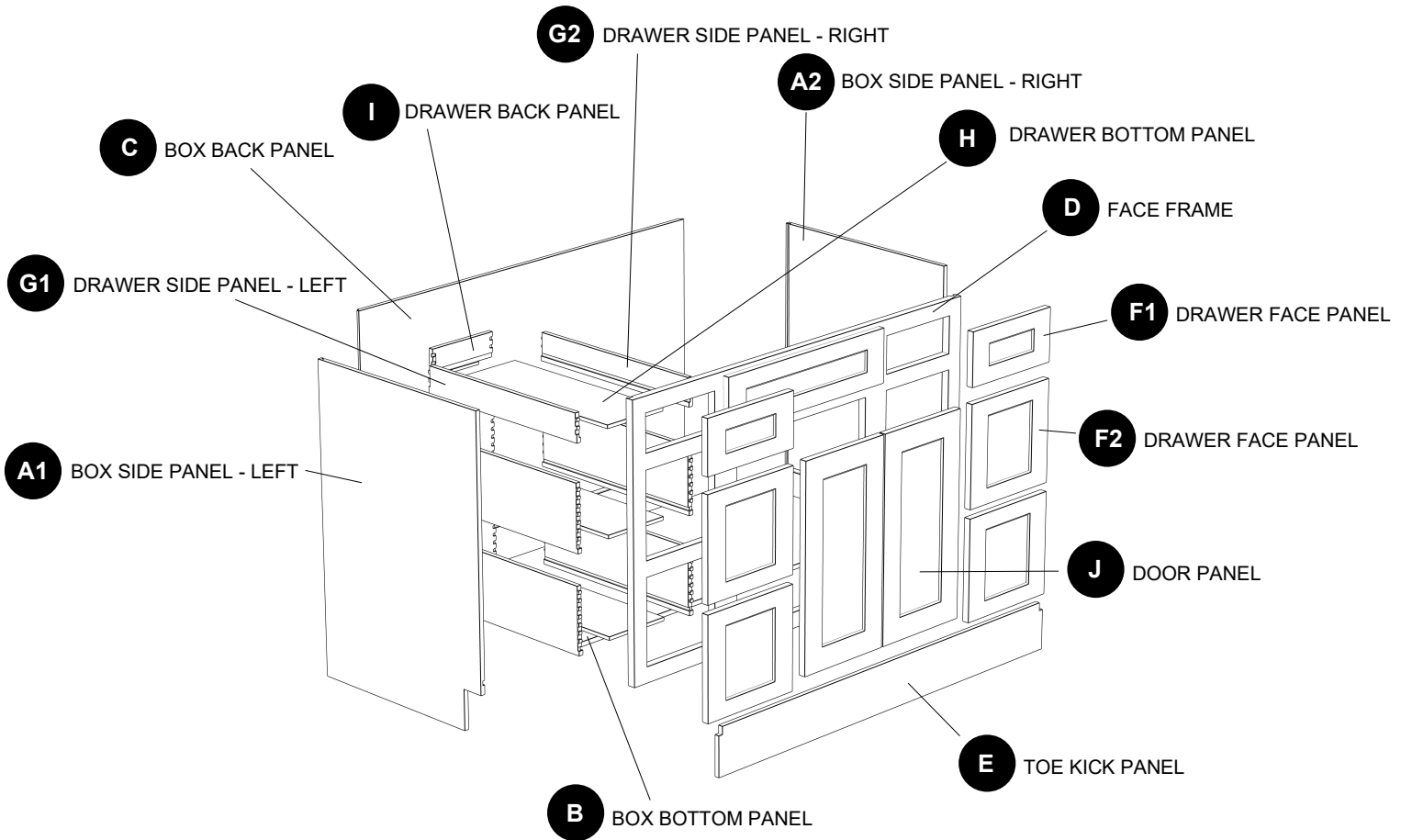


Vanity Double Drawer Base Cabinet

Instruction Manual

MODEL: VDDDB48-E



PART	DESCRIPTION
A1	Box side panel - left
A2	Box side panel - right
B	Box bottom panel
C	Box back panel
D	Face frame
E	Toe kick panel
F1	Drawer face panel

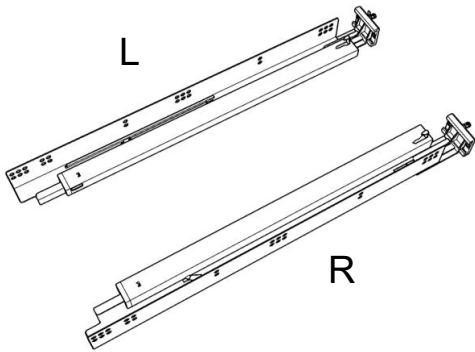
PART	DESCRIPTION
F2	Drawer face panel
G1	Drawer side panel - left
G2	Drawer side panel - right
H	Drawer bottom panel
I	Drawer back panel
J	Door panel

CAUTION

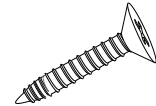
- Be sure to carefully remove all parts from the carton and ensure that there are no damages to any of them.
- The hardware should be kept away from children when unpacking and assembling this product. Two adults are recommended for assembly.
- Follow the instructions in the instruction manual carefully and strictly to ensure that the product is assembled and operates as intended.
- Do not tighten all the screws until all the adjacent parts have been properly connected. Please do not throw away extra screws. Please refer to the actual product for the screw hole position. Please refer to the actual product for the screw hole position.

HARDWARE CONTENTS

AA Glide and runner profile x 12

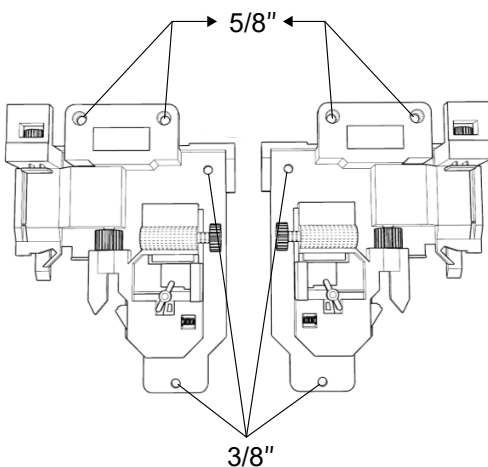


Included:
5/8" Flat Head Phillips Screw x 60

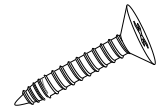


*Two additional pieces are included as an extra

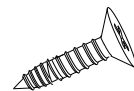
BB Adjustable drawer clips x 12



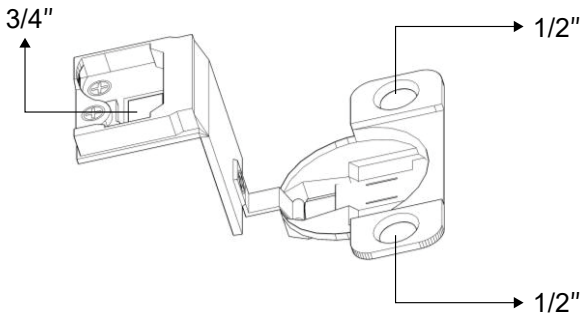
Included:
5/8" Flat Head Phillips Screw x 24



3/8" Flat Head Phillips Screw x 24



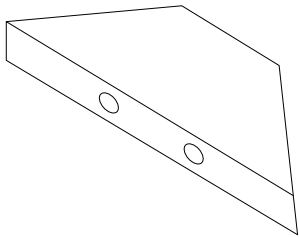
CC Soft - close hinge x 4
 Be careful the length of the screws.



Included:
 1/2" Flat Head Phillips Screw x 8

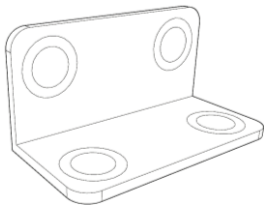
3/4" Round Head Phillips Screw x 4

DD Wood corner block x 4



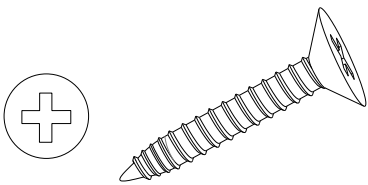
Included:
 1" Flat Head Phillips Screw x 8

EE Corner brace x 13

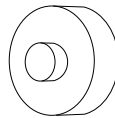


Included:
 1/2" Round Head Phillips Screw x 52

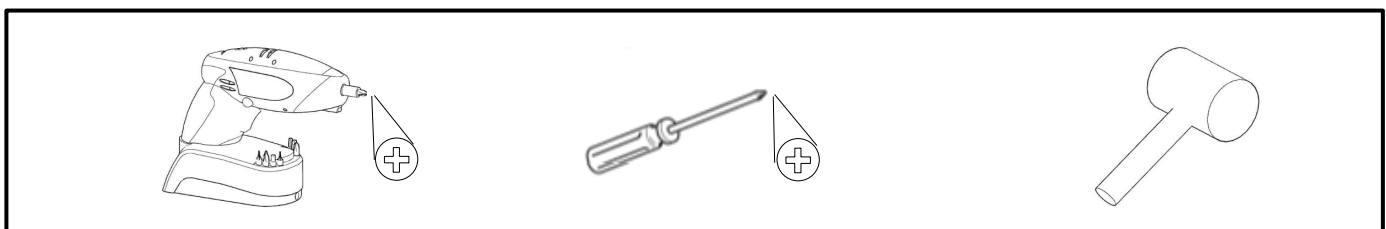
GG 1" Flat head Phillips screw x 5



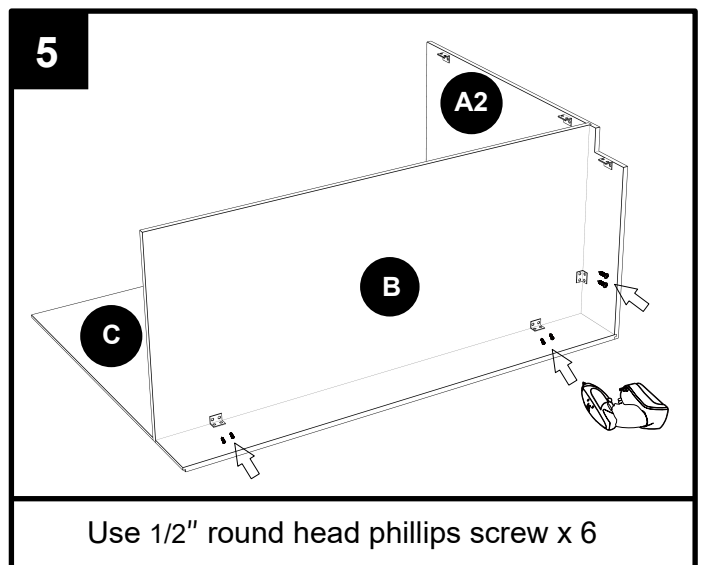
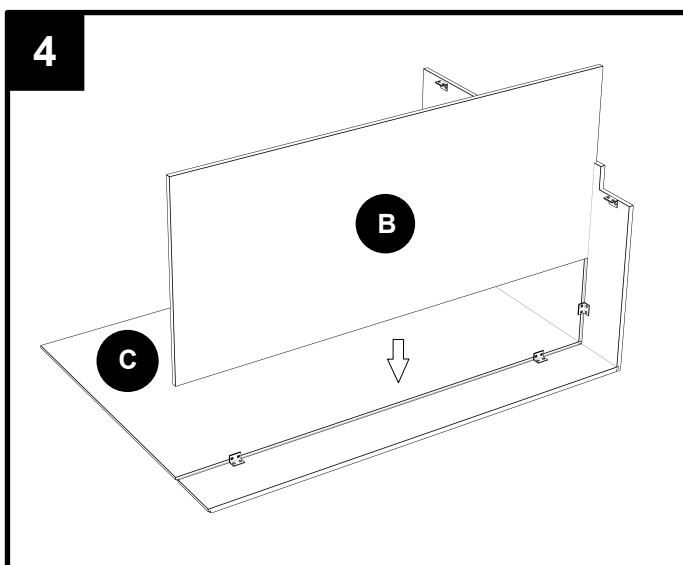
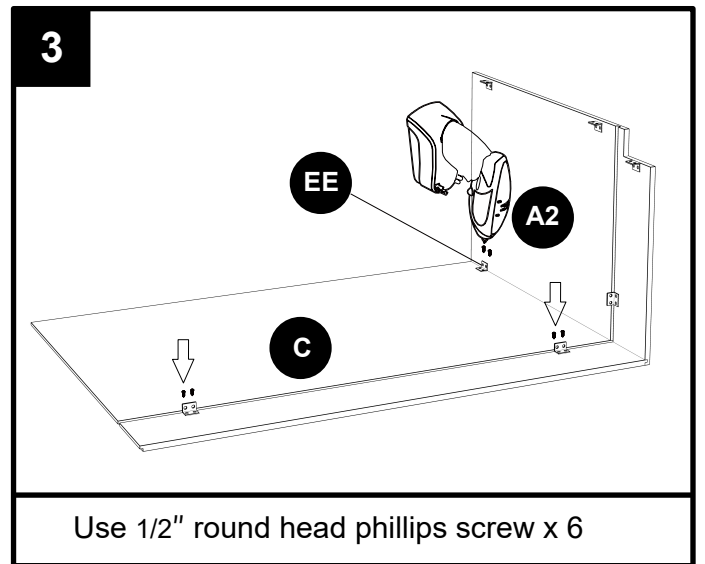
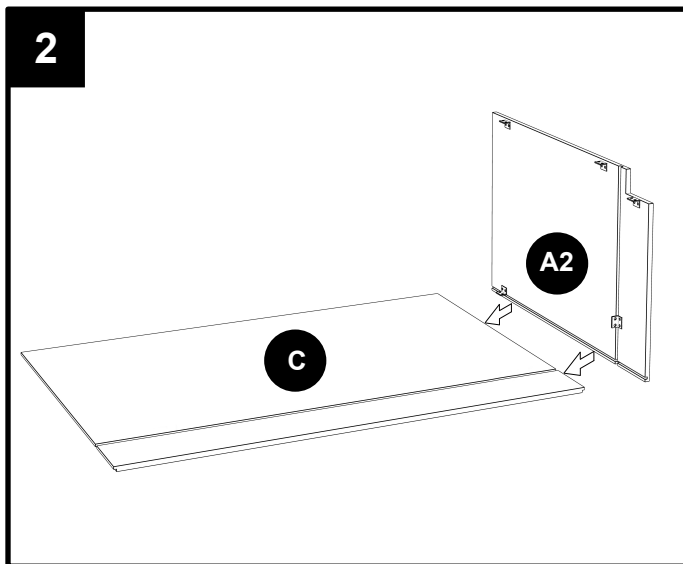
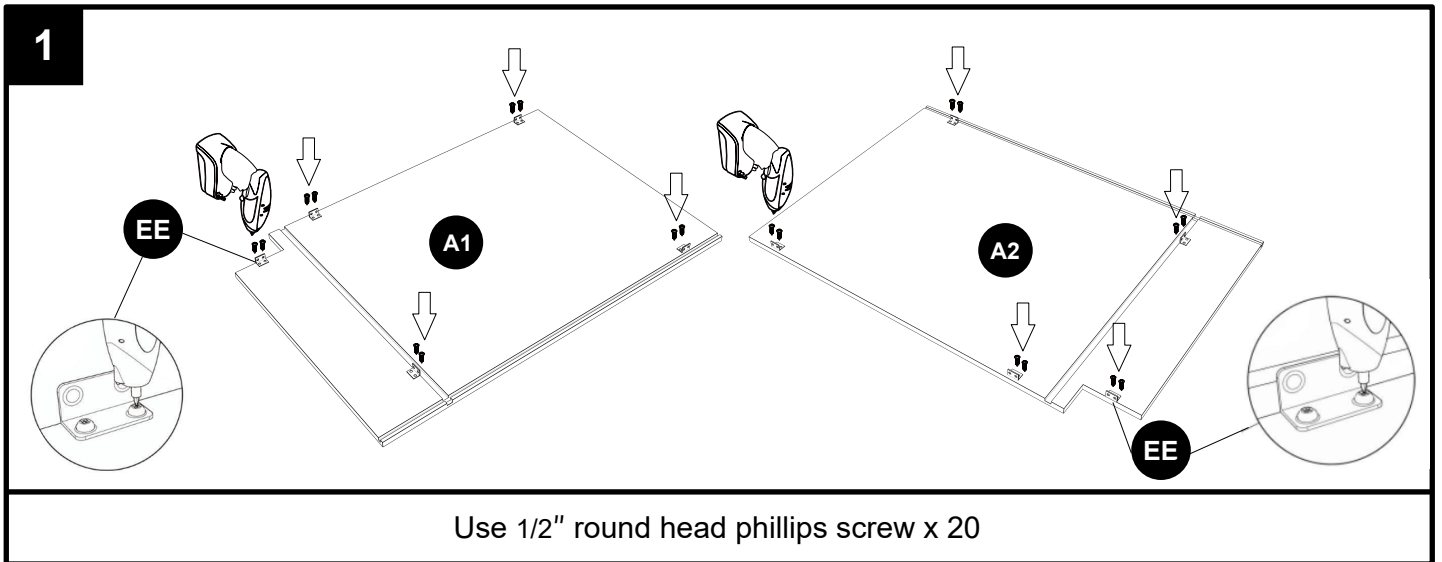
HH Rubber bumper x 26

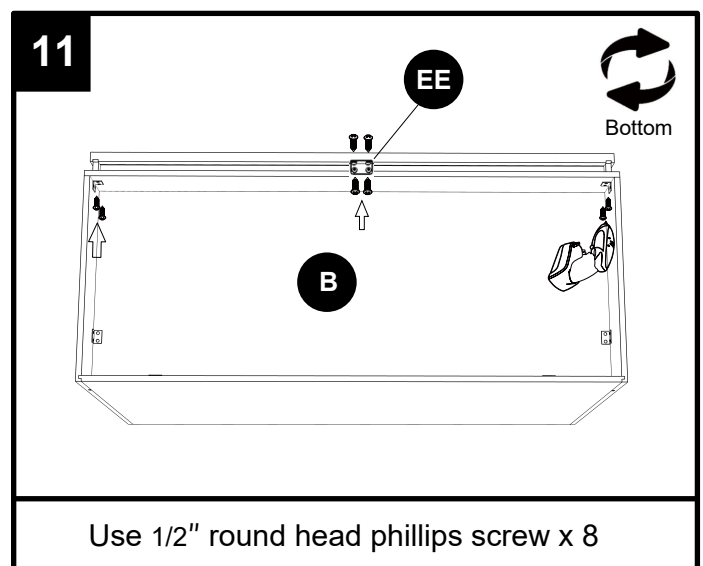
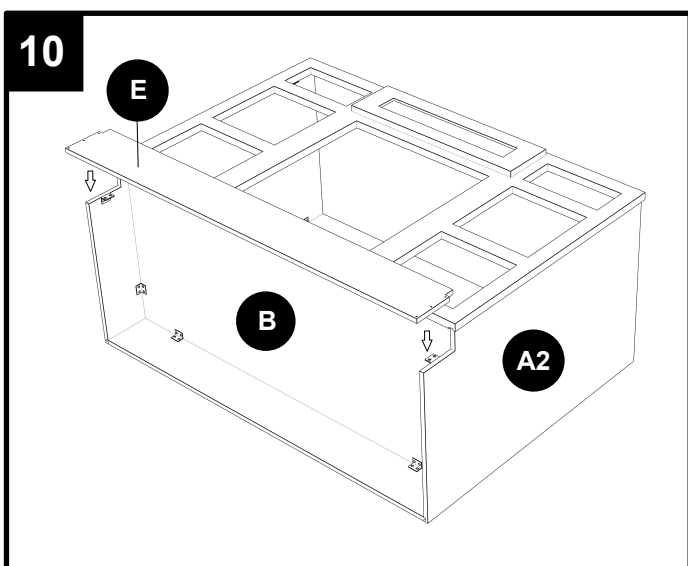
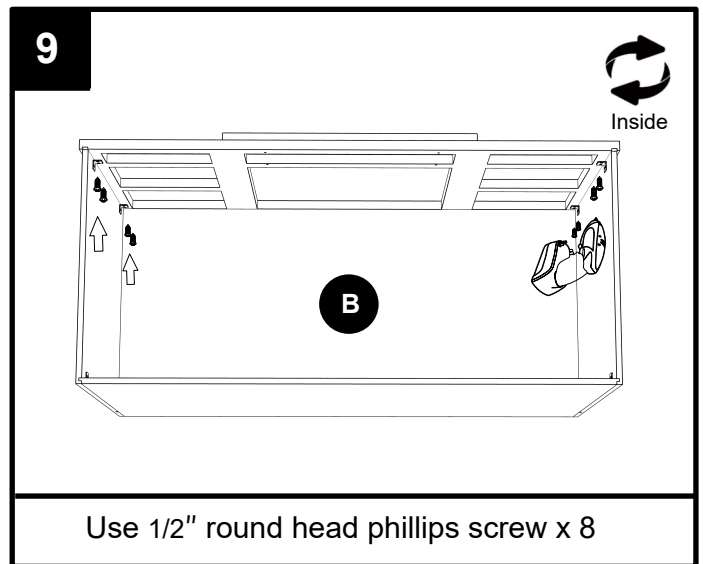
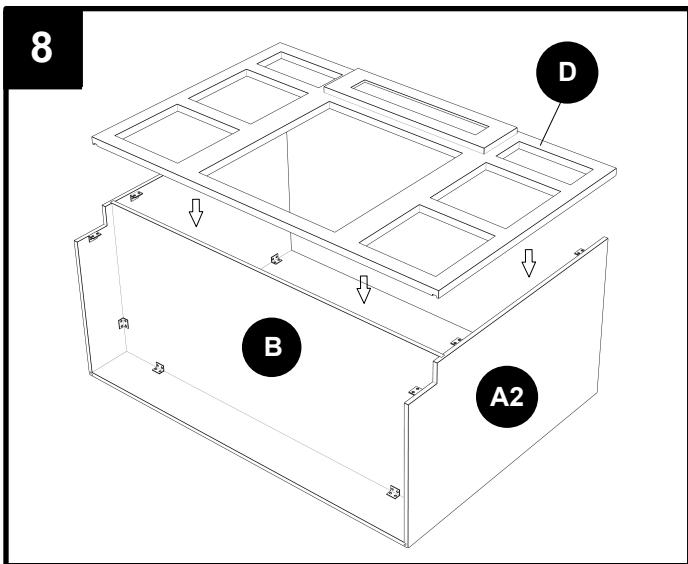
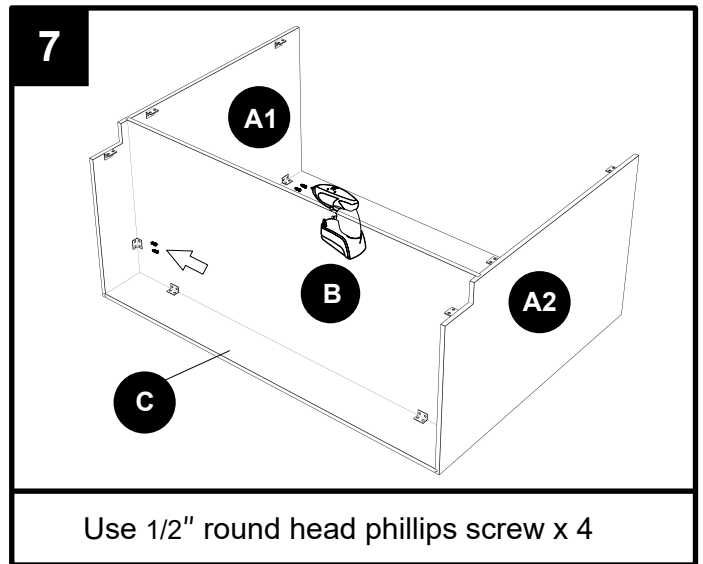
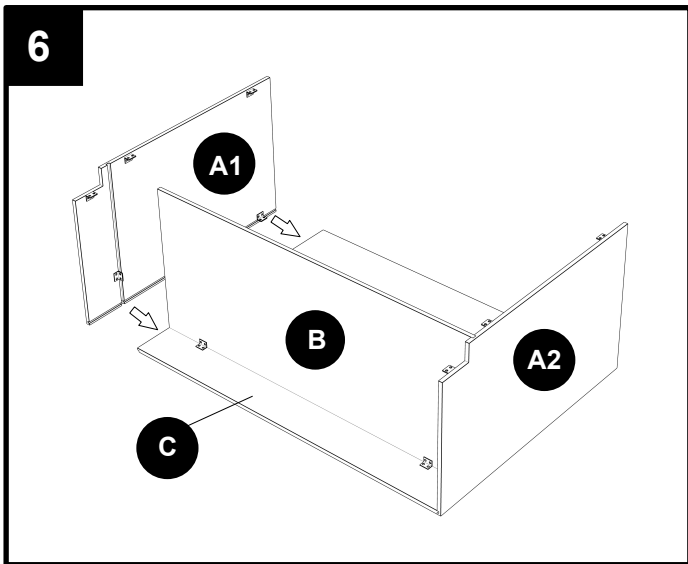


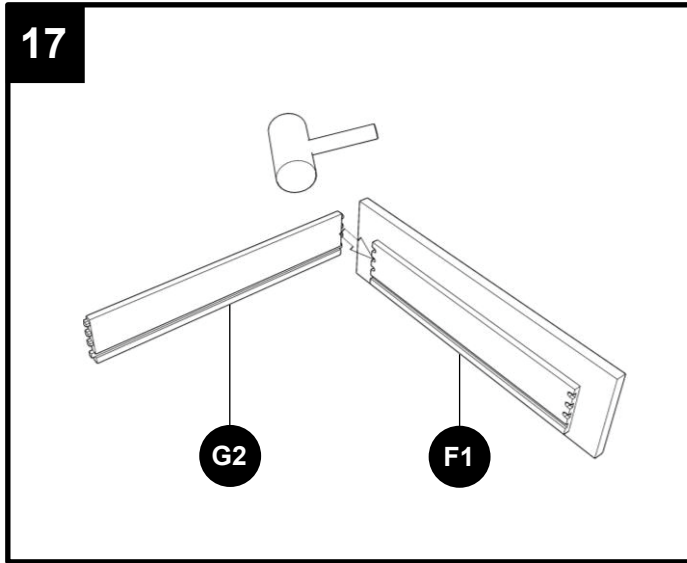
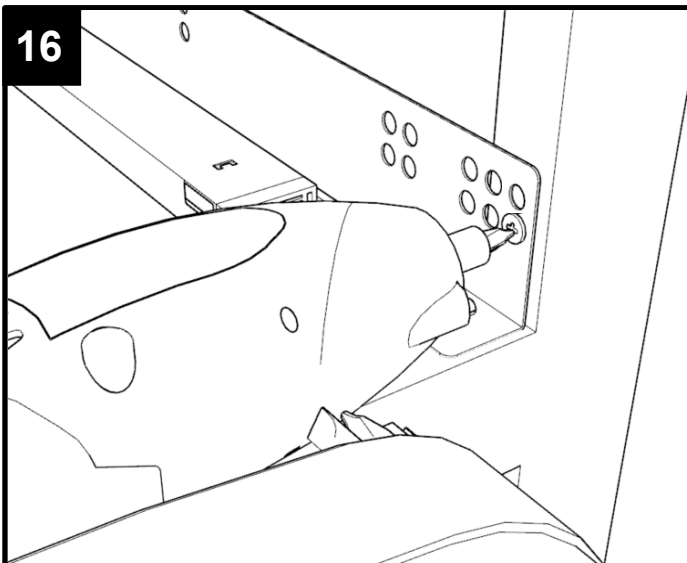
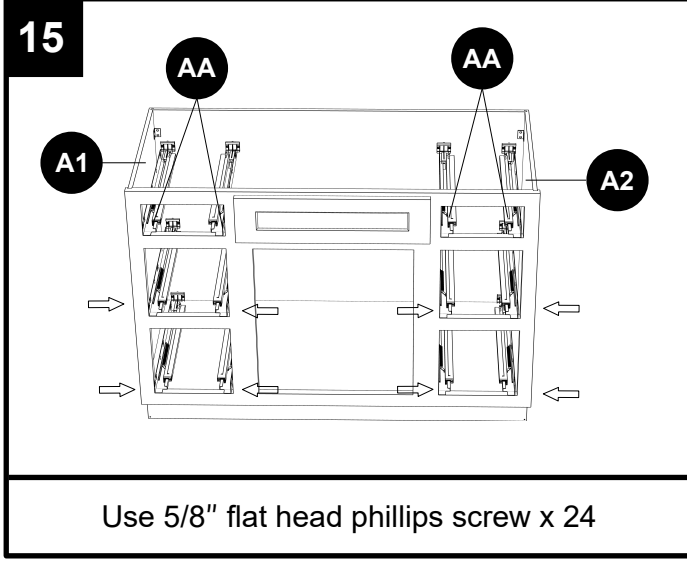
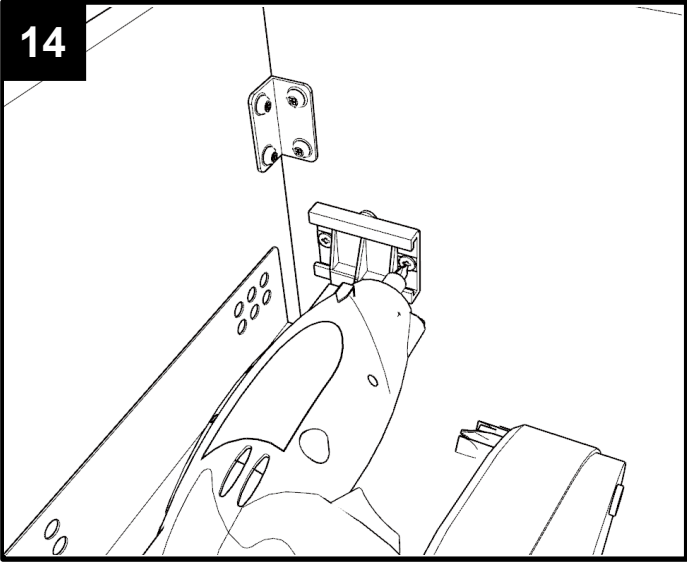
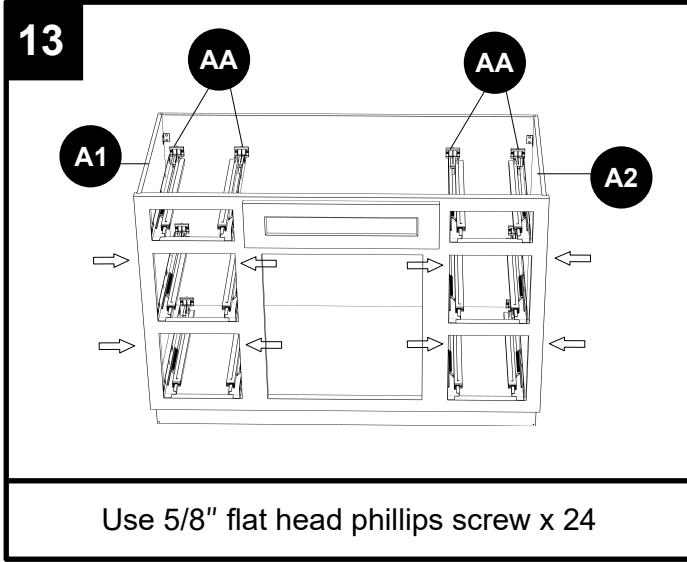
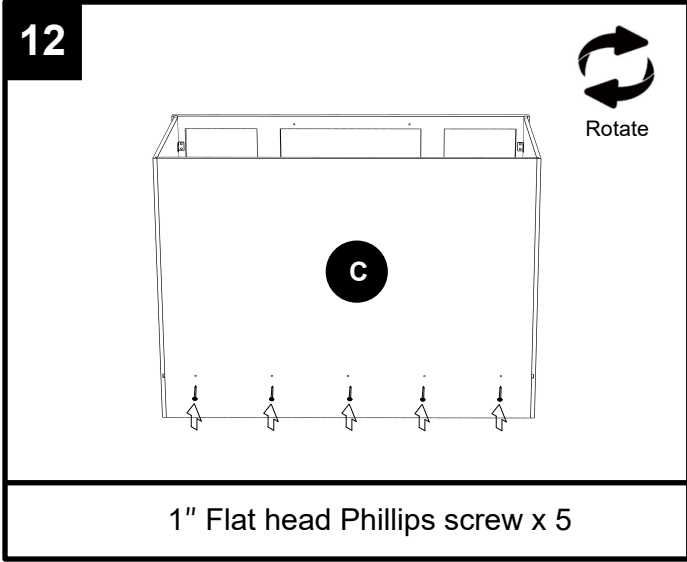
TOOLS REQUIRED (NOT INCLUDED)

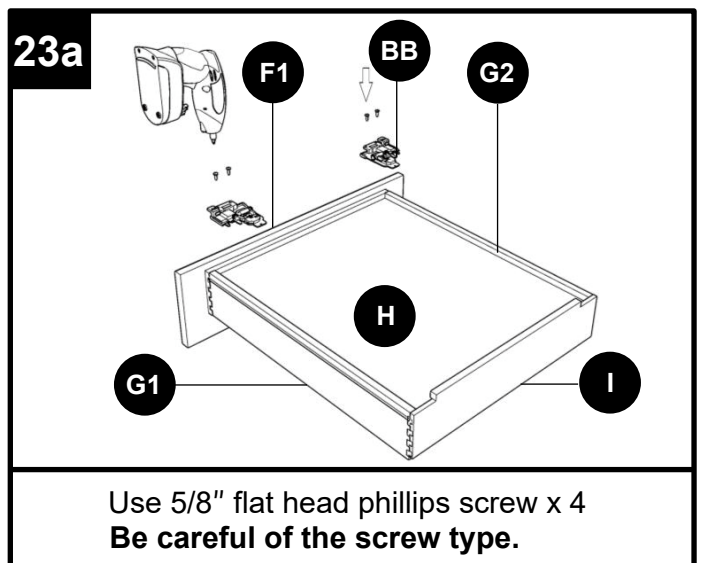
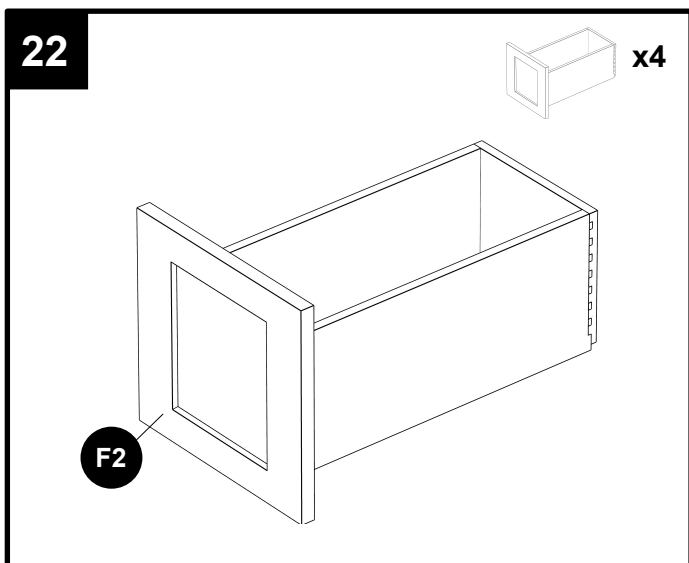
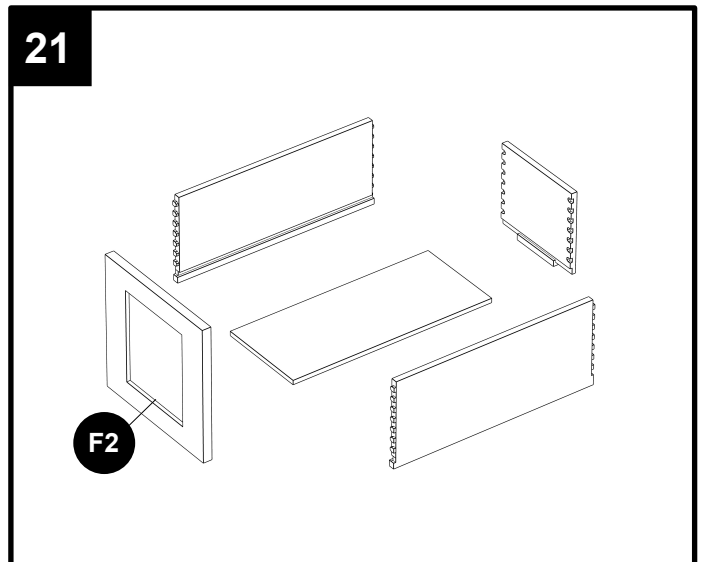
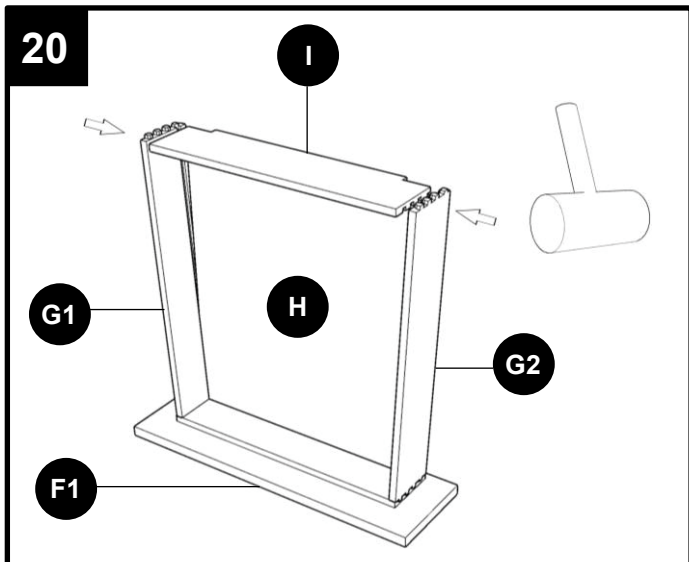
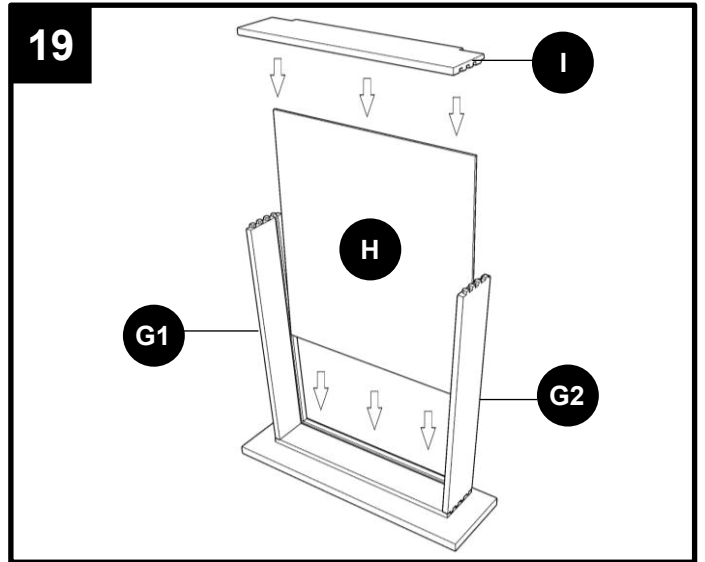
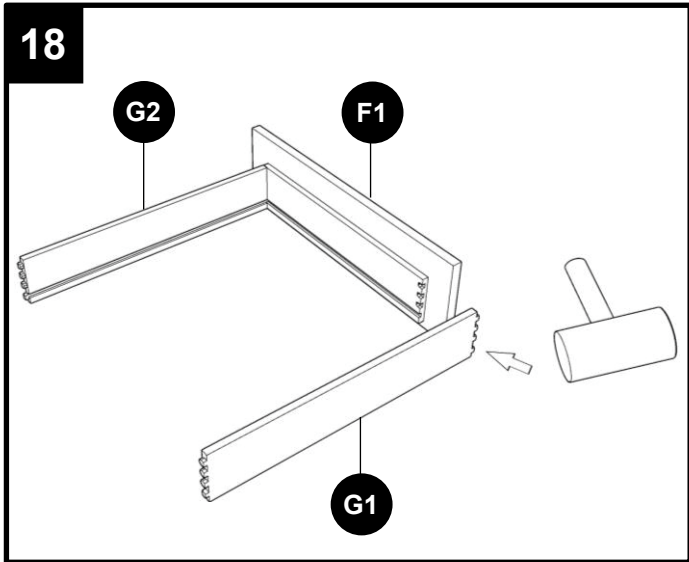


INSTALLATION OVERVIEW

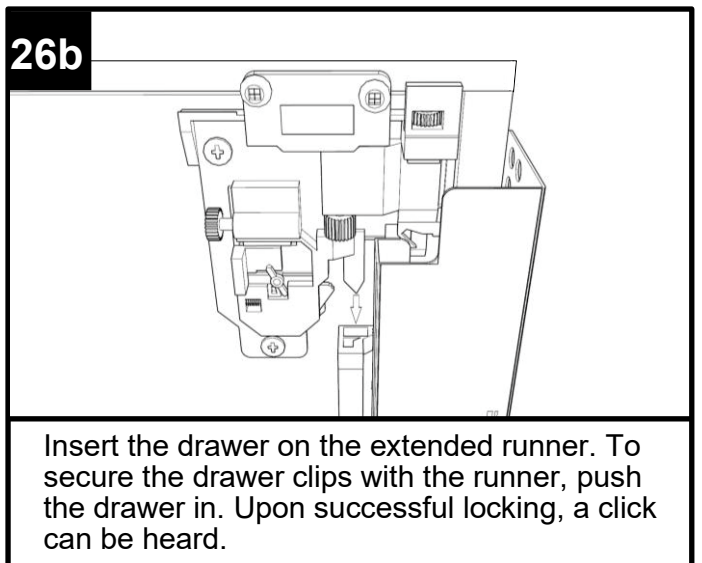
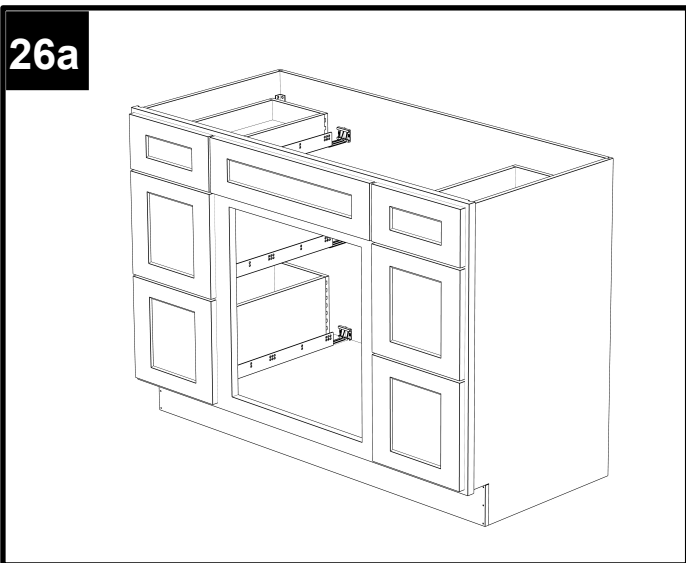
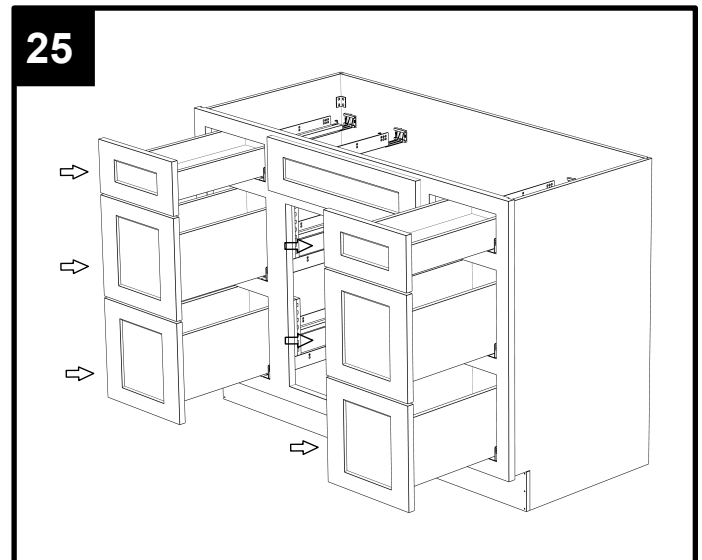
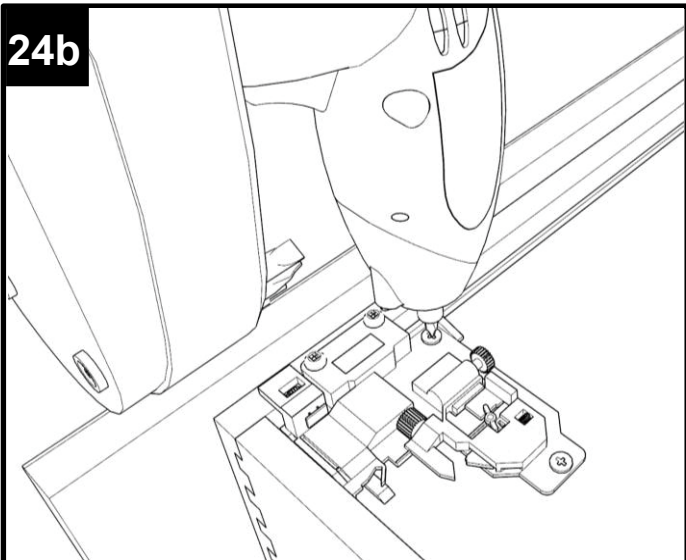
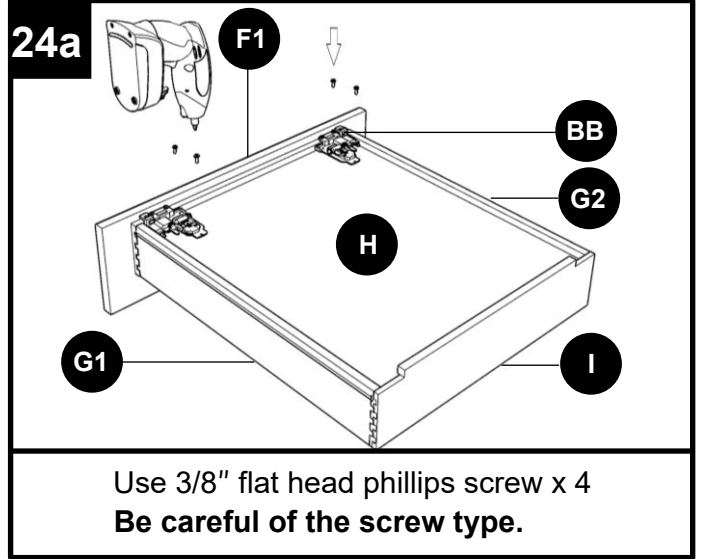
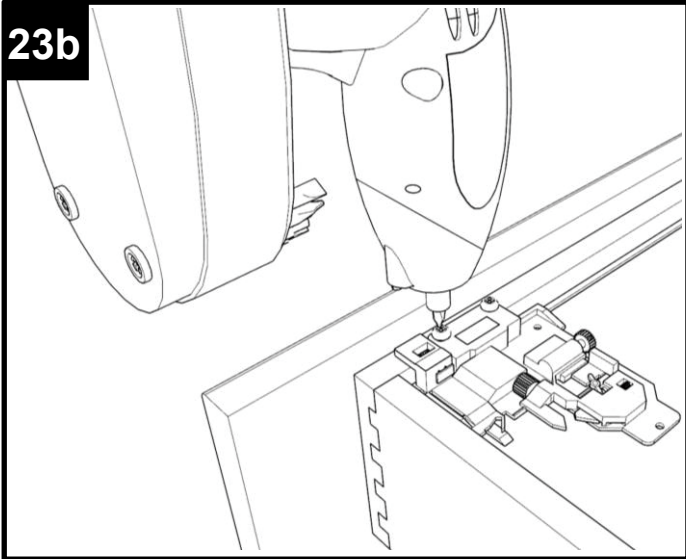


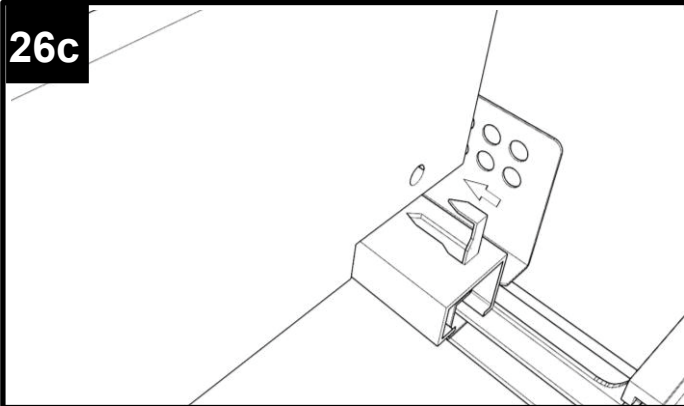






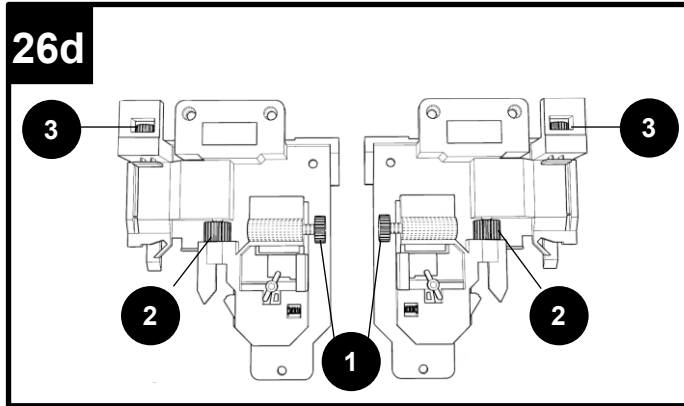
Use 5/8" flat head phillips screw x 4
Be careful of the screw type.





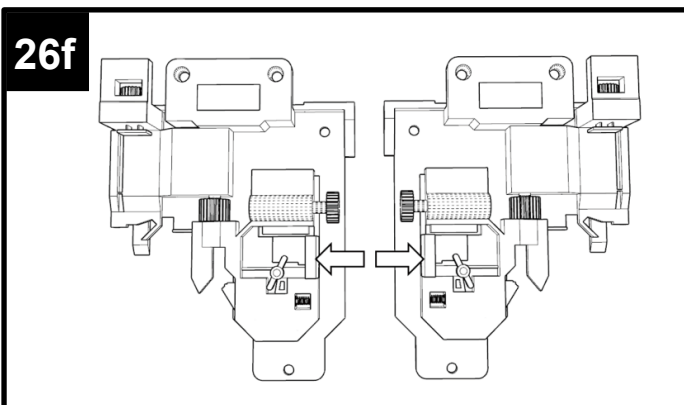
26c

Ensure that the hook on each runner profile fits into the corresponding holes on the drawer back panel.



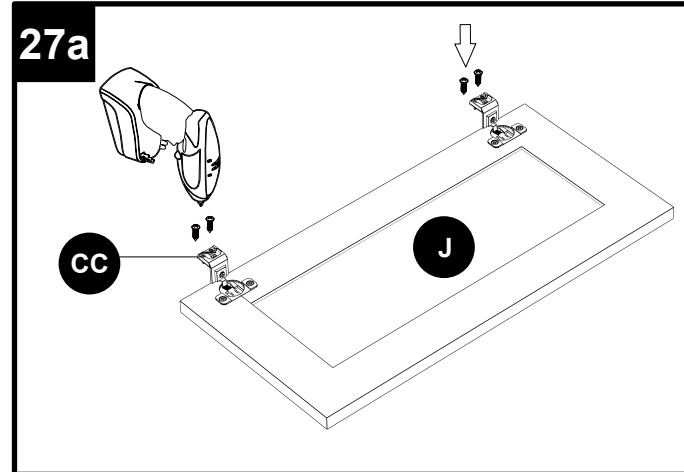
26d

To level the drawer, use the green spur gears 1 to adjust drawer left and right, the green spur gears 2 to adjust drawer up and down, and the green spur gears 3 to adjust drawer inside and outside.



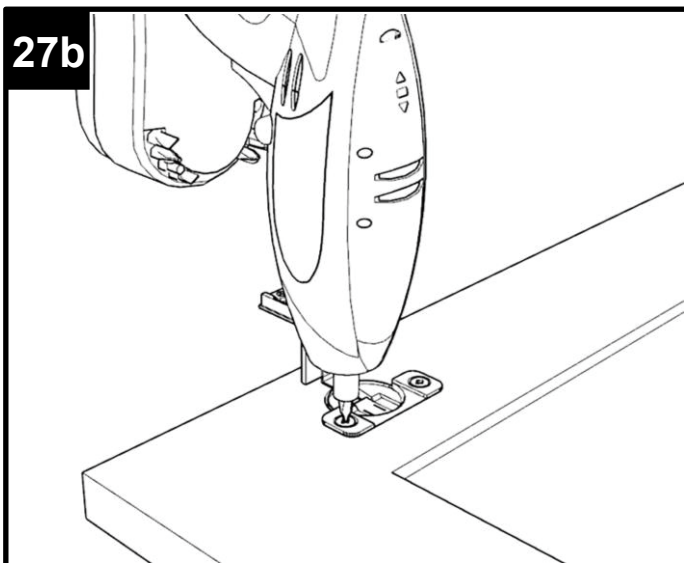
26f

To take the drawer out, push the green clips at the same time to unlock drawer clips.

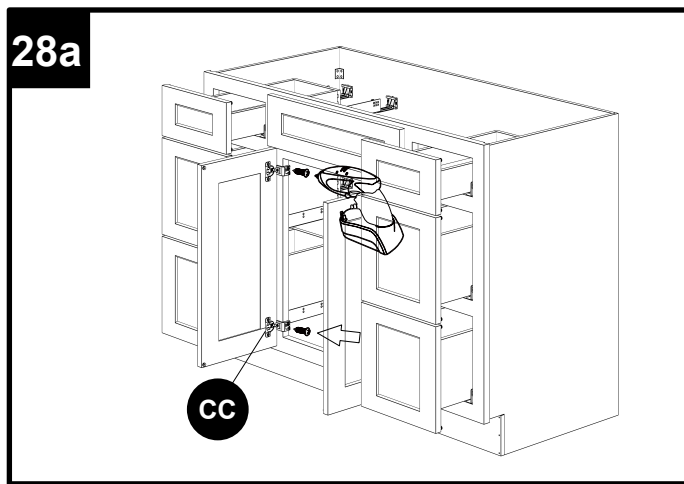


27a

Use 1/2" flat head phillips screw x 8



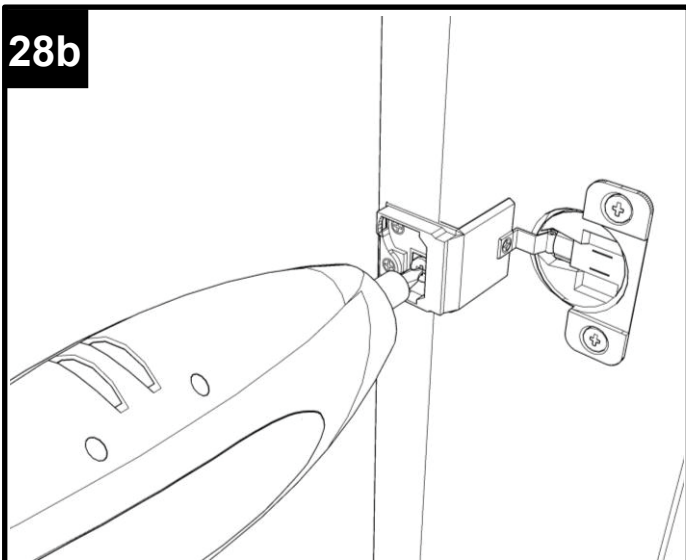
27b



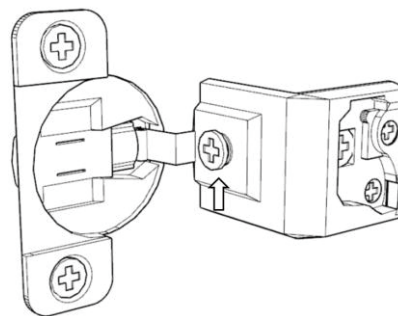
28a

Use 3/4" round head phillips screw x 4

28b

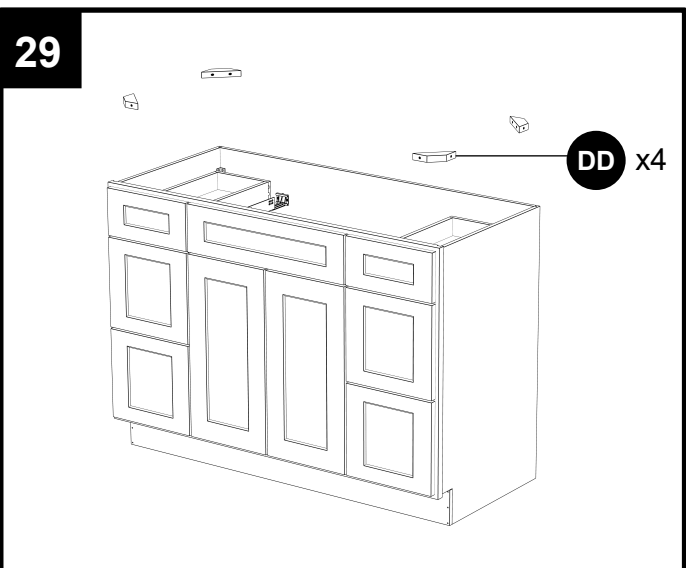


28c

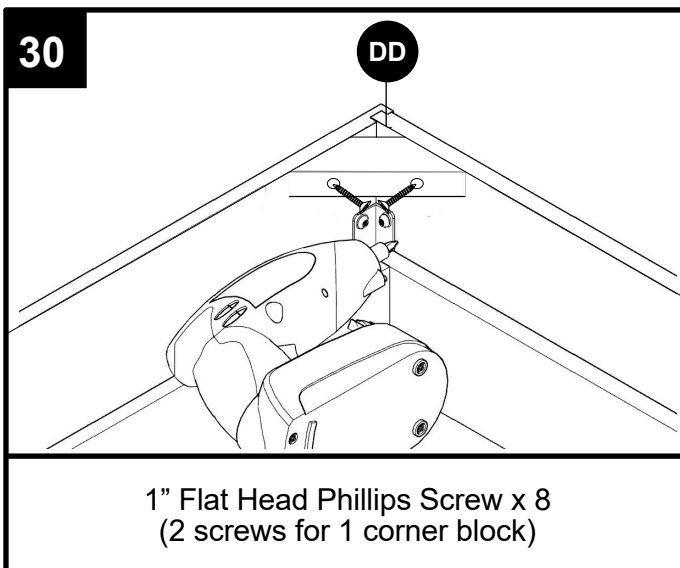


If the door is not level when it is installed, the customer will need to turn the screw clockwise to extend the hinge or counterclockwise to shorten the hinge.

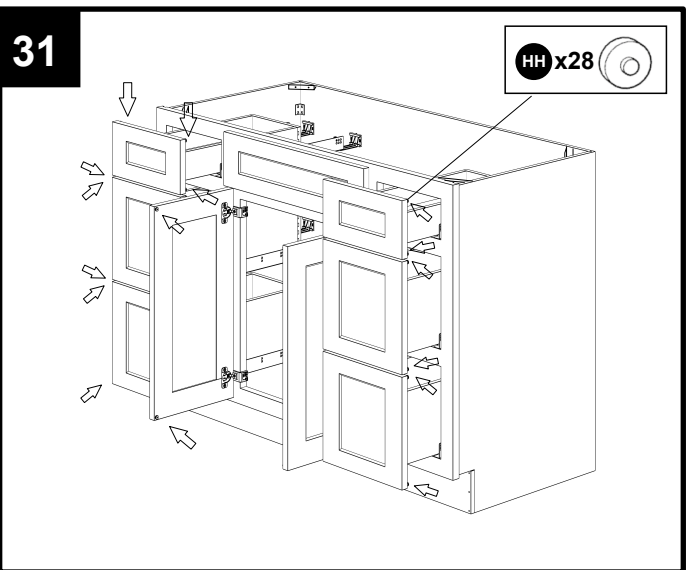
29



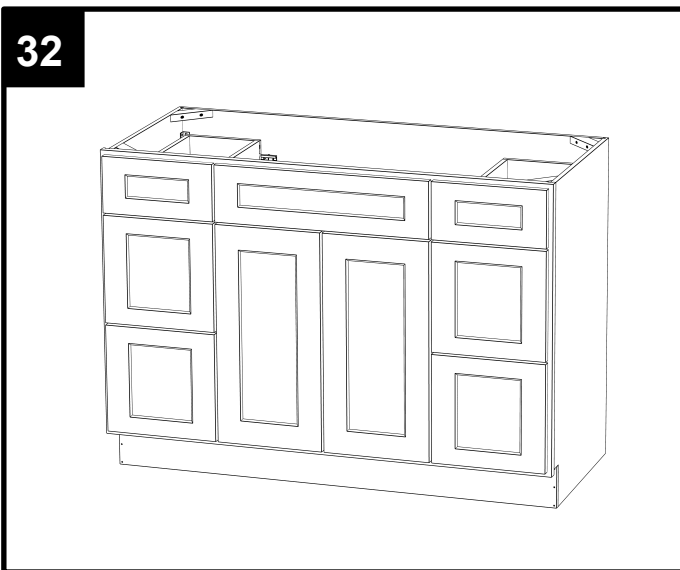
30



31



32



Dear customers,
 Thank you for purchasing our product. If you require assistance, please contact the customer service team at the retailer where you purchased the product. The customer service team will be happy to assist you.