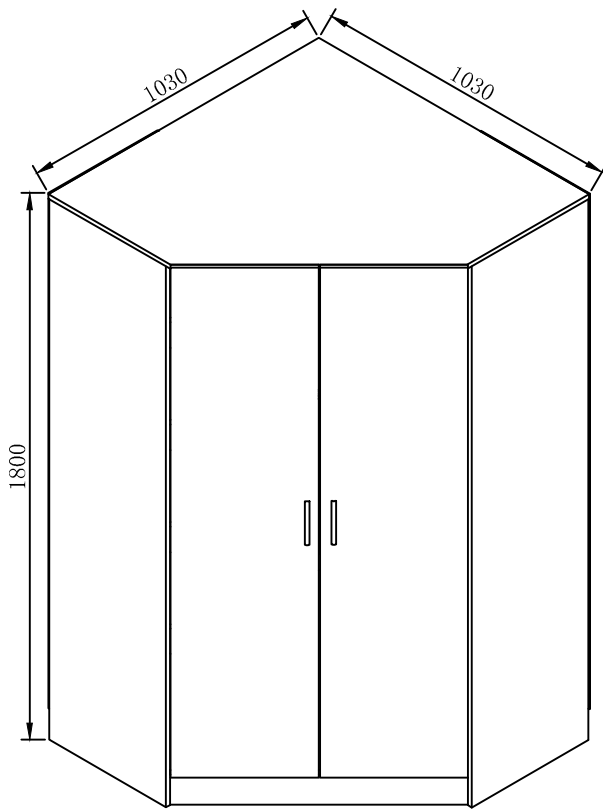


REFLECT - CORNER WARDROBE ASSEMBLY INSTRUCTION

please read the instructions thoroughly BEFORE assembling



Please take care with small parts



Please do not move item when part or fully assembled

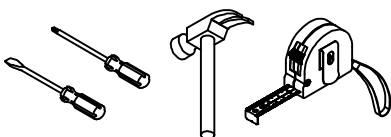
Size:(W)1030 x (D)1030 x (H)1800mm

Please Read these instructions BEFORE starting to assemble, to familiarise yourself with the stages of construction and to plan where to assemble the wardrobe. (as moving the item whilst partly assembled or failing to lift the item when fully assembled will cause damaged)

CAREFULLY open the fittings kit and check all parts are present against the instructions. Please DO NOT destroy or dispose of any packing until AFTER completing the final stage of assembly.

CAUTION: Small components are to be KEPT AWAY from young children to avoid the risk of choking.

Tools Required (NOT PROVIDED)



Person Required



Approximate Assembly Time



2 Hour

IMPORTANT SAFETY AND ITEM CARE INFORMATION - PLEASE READ THOROUGHLY AND RETAIN INSTRUCTIONS FOR FUTURE REFERENCE

2 MAN ASSEMBLY REQUIRED

The product must be assembled in the corner it is going to live in.

Once the product is assembled and you are trying to lift it , the whole product must be lifted with equal force on each side-CANNOT BE DRAGGED ON THE FLOOR -otherwise, the weight will go on one side and will damage the panels hence why , we strongly recommend two people assembly .

We do advise you to hire a professional joiner if you are unsure about assembly . Please be advised warranty for this product does not cover for damages incurred during assembly .

INFORMATION

- This product is intended for a maximum weight of 50kgs . **DO NOT Exceed** this weight as this would cause structural damage and failures
- Due to the size of this product we recommend that it is assembled in the room intended for use, as close to the final position as possible
- When you are ready to start, make sure that you have the right tools, plenty of space and a clean, dry area for assembly.
- Unwrap all packaging materials and place the components on top of the carton box or on a clean floor to prevent it from scratching.
- Check the pack and make sure you have all the parts listed.
- Ensure that this product is fully assembled as illustrated before use.
- Check all screws or bolts are tightened and inspect regularly.
- This product should only be used on firm, level ground.
- Keep small parts out of reach of children.
- Make sure the feet are securely in contact with the ground
- Tools not included.

WARNINGS

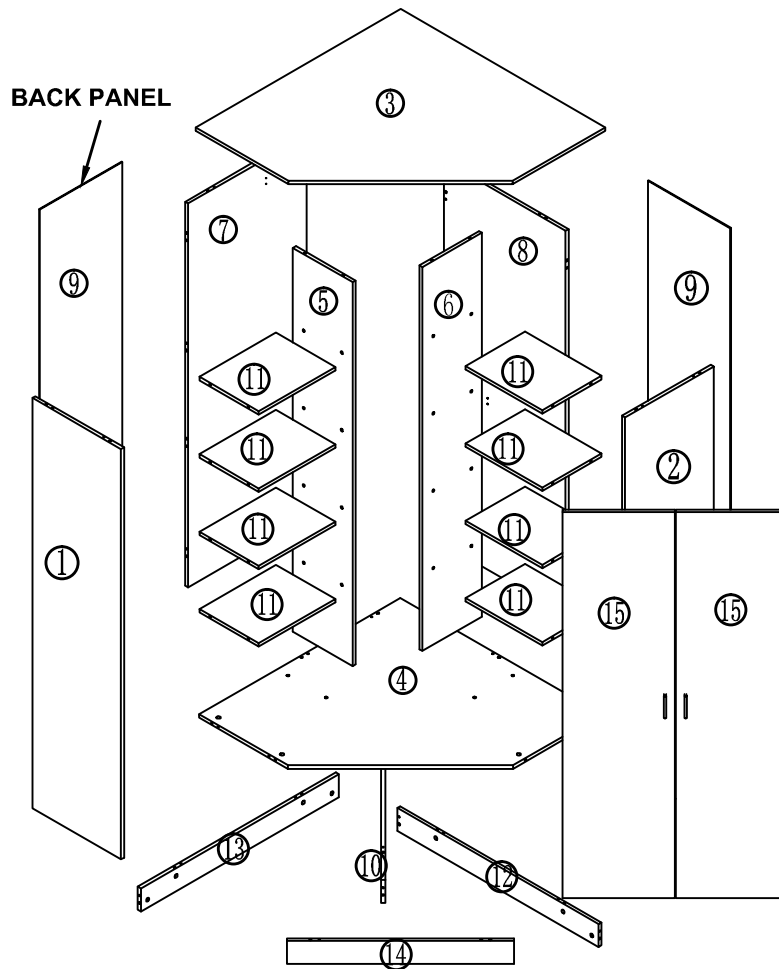
- Do NOT use power tools to construct this product.
- Do NOT tighten screws until fully assembled .
- Do NOT over tighten screws or bolts .
- Do NOT use this product if parts are missing , damaged or worn .
- Do NOT sit or stand on the product .
- We recommend the use of the wall strap provided for safety reasons . N.B. Wall fixings are not included - please source suitable fixings for your wall type . if in doubt please consult a qualified trade person. Warning: Always ensure the area to be drilled is free from hidden electrical wires , water and gas pipes.

CARE INFORMATION

- Never use scourers , abrasives or chemical cleaners.
- To clean wipe with a sponge and warm soapy water . do not use solvent based cleaners or detergents as they can bleach or damage the product.

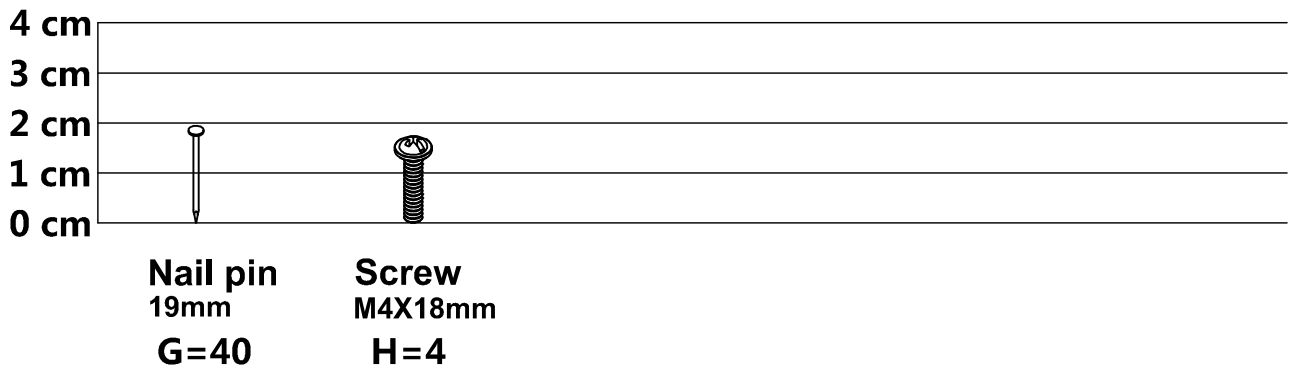
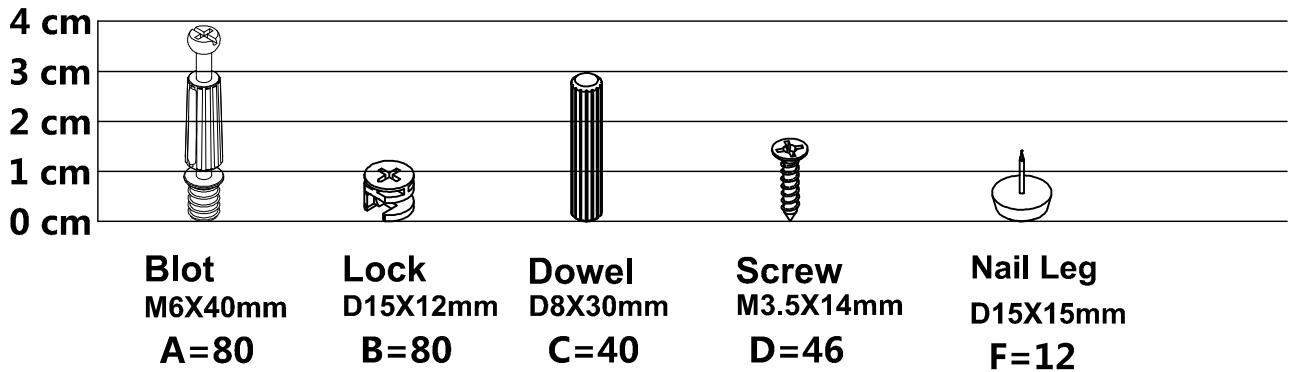
Please check the pack contents before assembling the product . if any components are missing, please contact your retailer.the fittings pack contains small items that should be kept away from small children.

CODE	PART NAME	QTY	CODE	PART NAME	QTY
1	1780 X 445 X 15MM LEFT HAND SIDE PANEL	1PC	9	1700 X 415 X 3MM BACK PANEL	2PCS
2	1780 X 445 X 15MM RIGHT HAND SIDE PANEL	1PC	10	962 X 90 X 15MM BOTTOM CROSS BAR	1PC
3	1030 X 1030 X 15MM TOP PANEL	1PC	11	387 X 300 X 15MM SHELF PANEL	8PCS
4	1013 X 1013 X 15MM BOTTOM PANEL	1PC	12	1012 X 90 X 15MM BOTTOM RIGHT CROSS BAR	1PC
5	1674 X 300 X 15MM LEFT MIDDLE SIDE PANEL	1PC	13	996 X 90 X 15MM BOTTOM LEFT CROSS BAR	1PC
6	1674 X 300 X 15MM RIGHT MIDDLE SIDE PANEL	1PC	14	842 X 90 X 15MM BOTTOM FRONT CROSS BAR	1PC
7	1674 X 596 X 15MM VERTICAL PANEL IN BACK LEFT SIDE	1PC	15	1683 X 399 X 15MM DOOR PANEL	2PCS
8	1674 X 613 X 15MM VERTICAL PANEL IN BACK RIGHT SIDE	1PC			

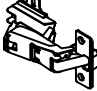





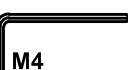




Panels#	Carton	
3.4.10.12.13.14. ALL FITTING KIT Assemble instruction	1 OF 3	
1.2.9.15.	2 OF 3	3
5.6.7.8.11	3 OF 3	

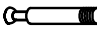



Fixings (to scale)

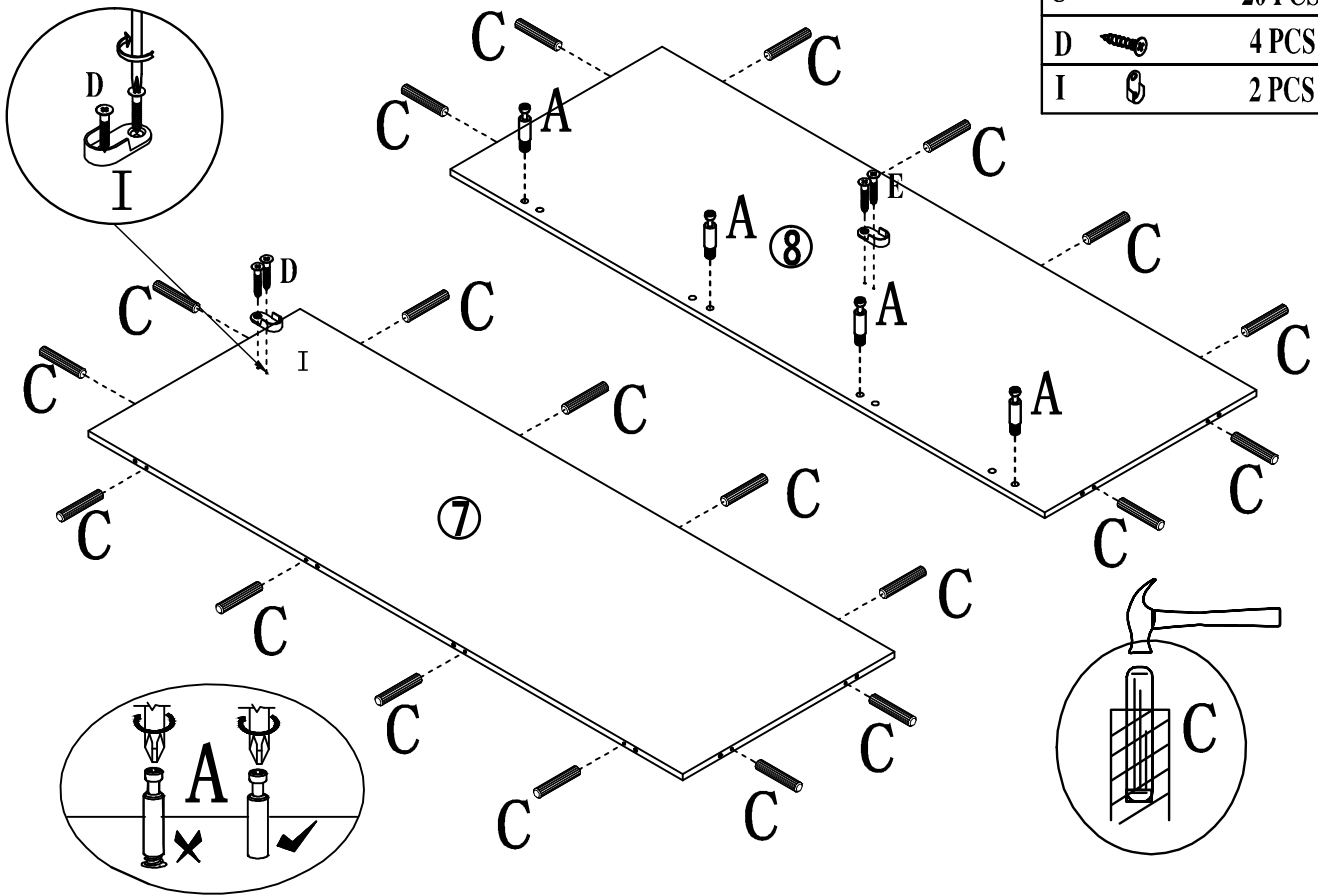


Fixings (not to scale)

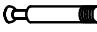

Hinge  E=6	Hanging Rail  L591mm K=2	Hanging Rail Support  I=4	Handle  L128mm J=2	Stopper  L=1	OPTIONAL REQUIREMENT Bracket/Strap  M=1
OPTIONAL Spanner  M4 N=1	OPTIONAL CONNECTING SCREWS.  M6X20mm O=4	 P=5			

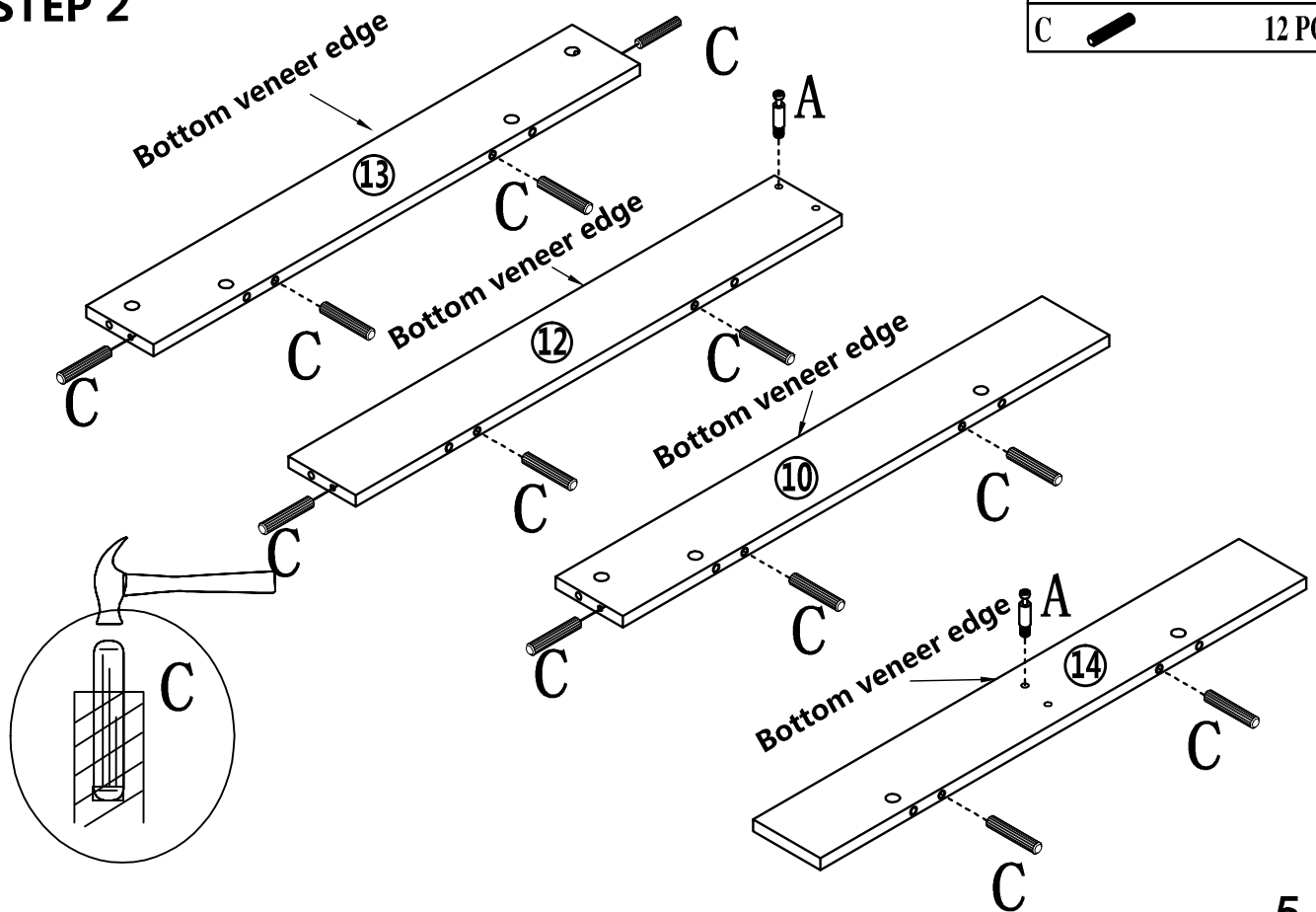
STEP 1

A		4 PCS
C		20 PCS
D		4 PCS
I		2 PCS

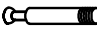




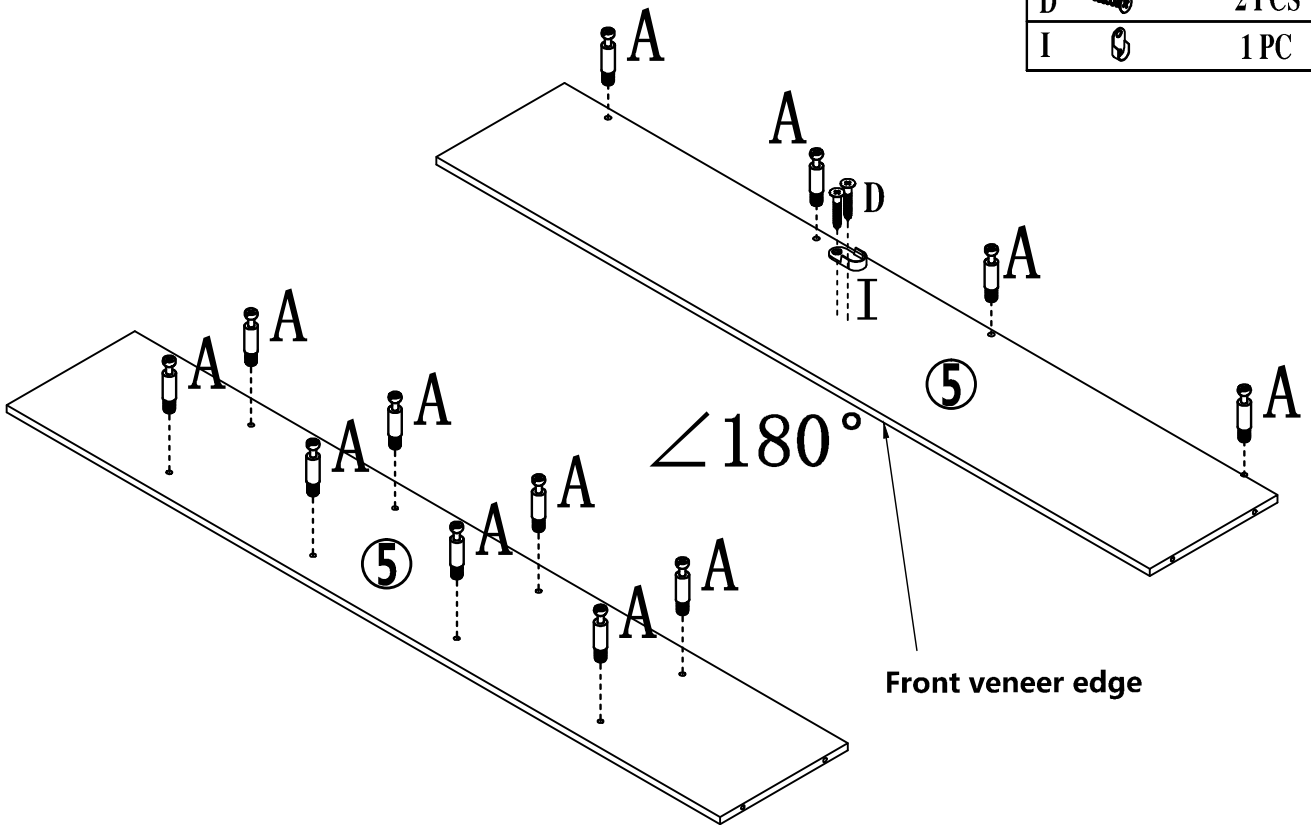
STEP 2

A		2 PCS
C		12 PCS

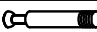




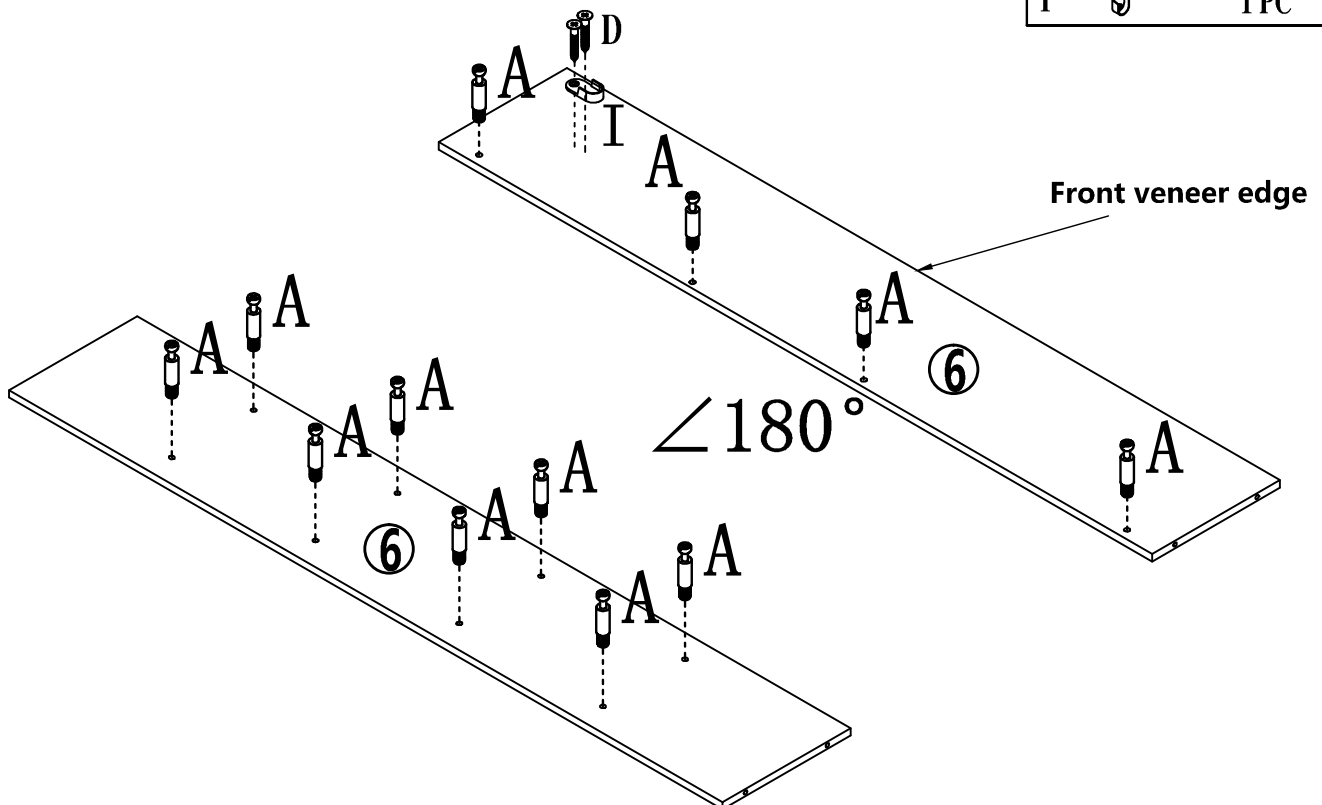
STEP 3

A		12 PCS
D		2 PCS
I		1 PC



STEP 4

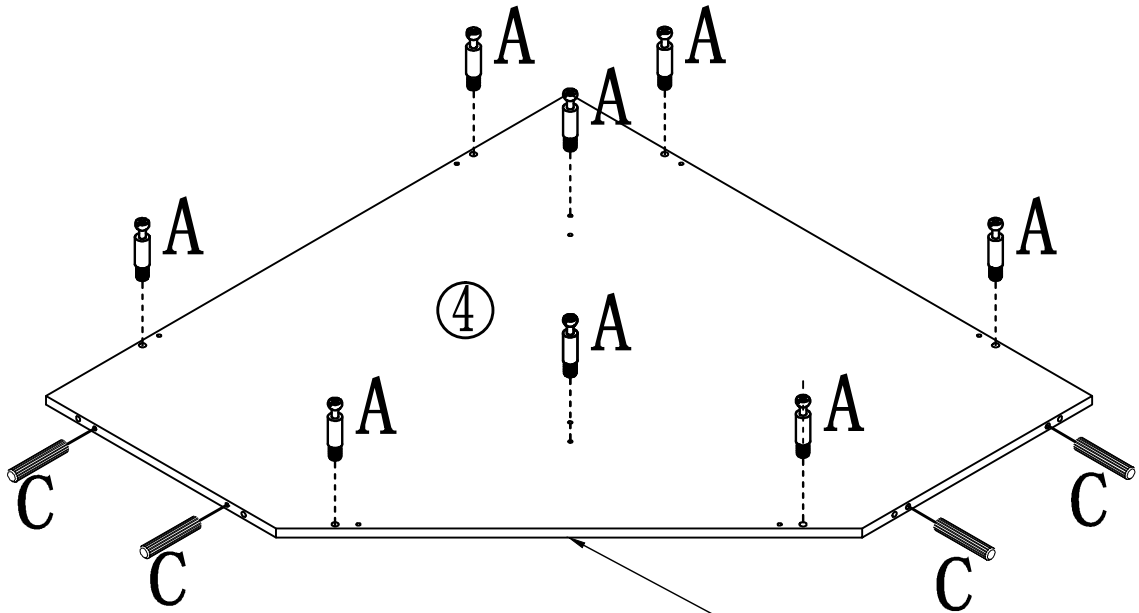
A		12 PCS
D		2 PCS
I		1 PC



STEP 5

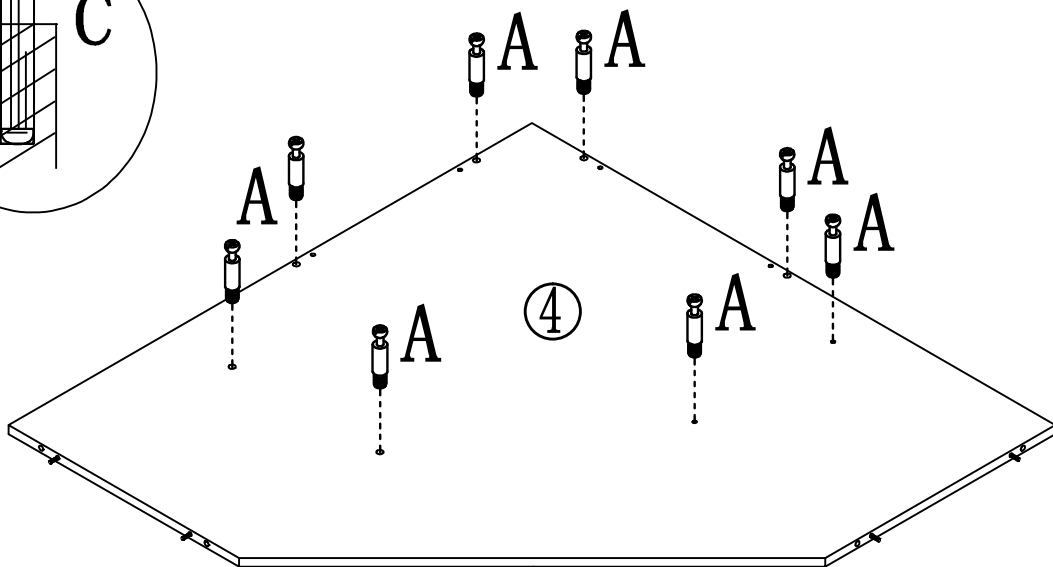
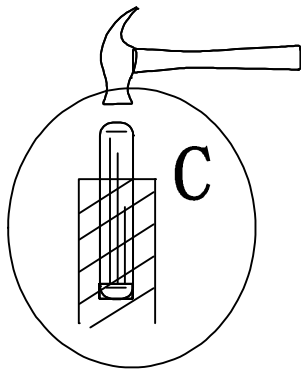
A  16 PCS

C  4 PCS

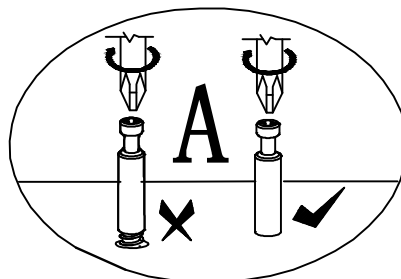


$\angle 180^\circ$

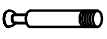

Front veneer edge

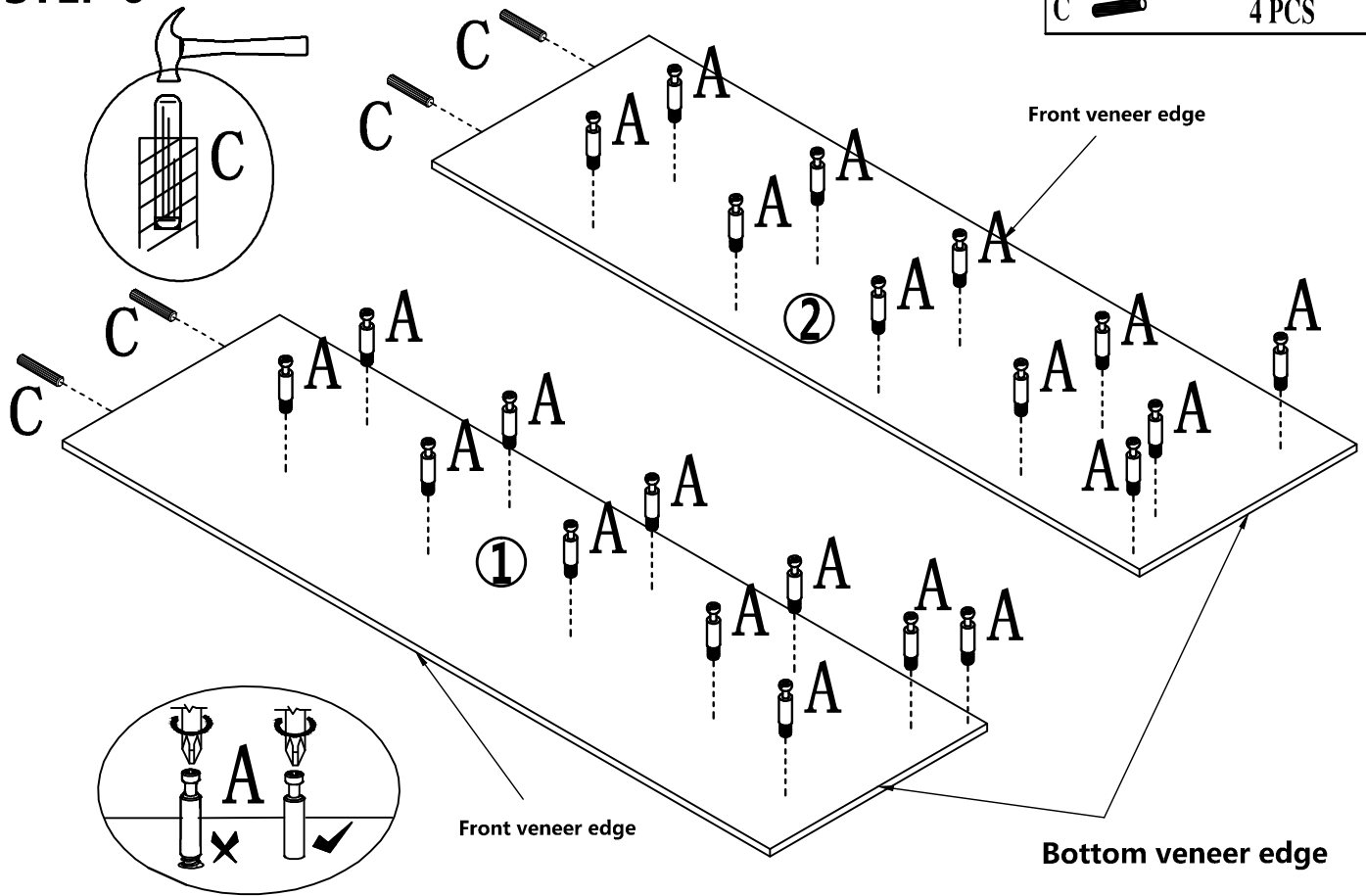


Front veneer edge





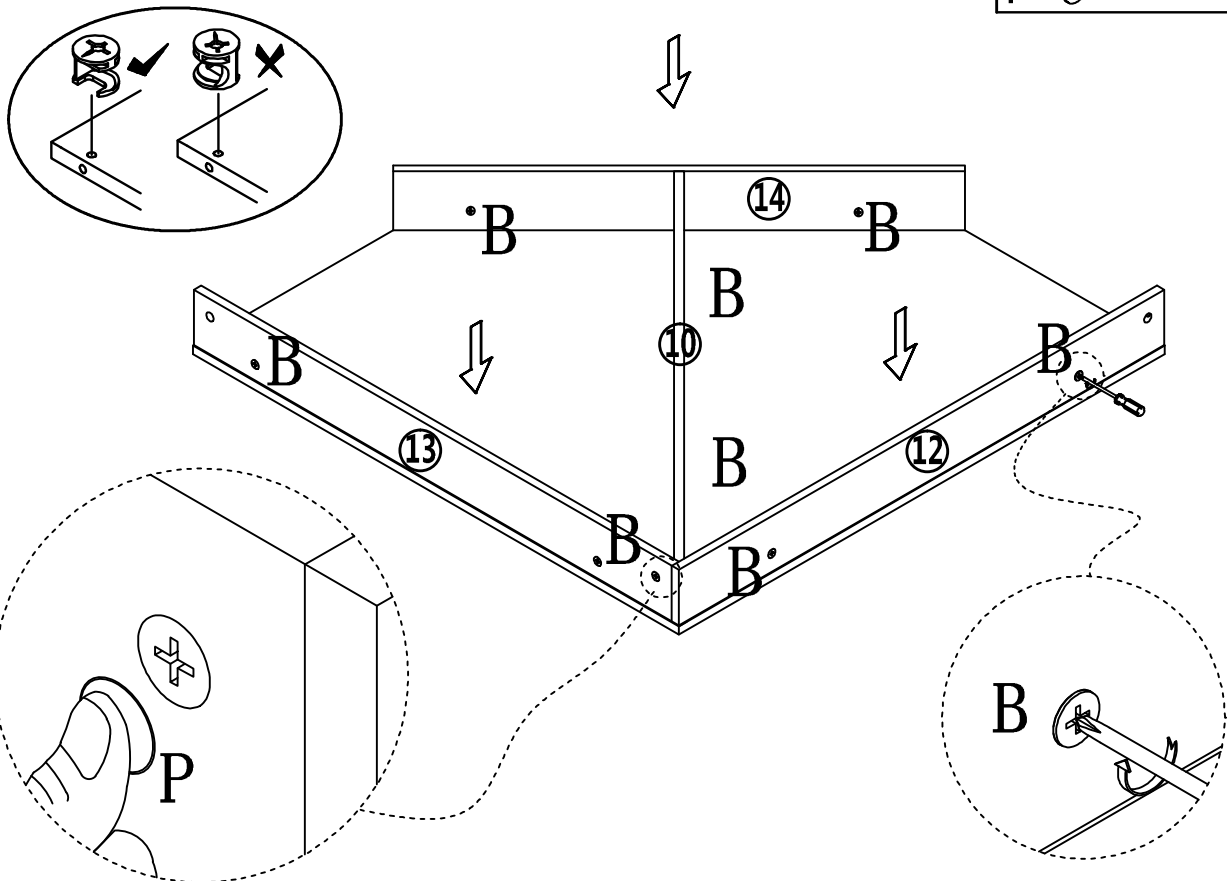
STEP 6

A		22 PCS
C		4 PCS



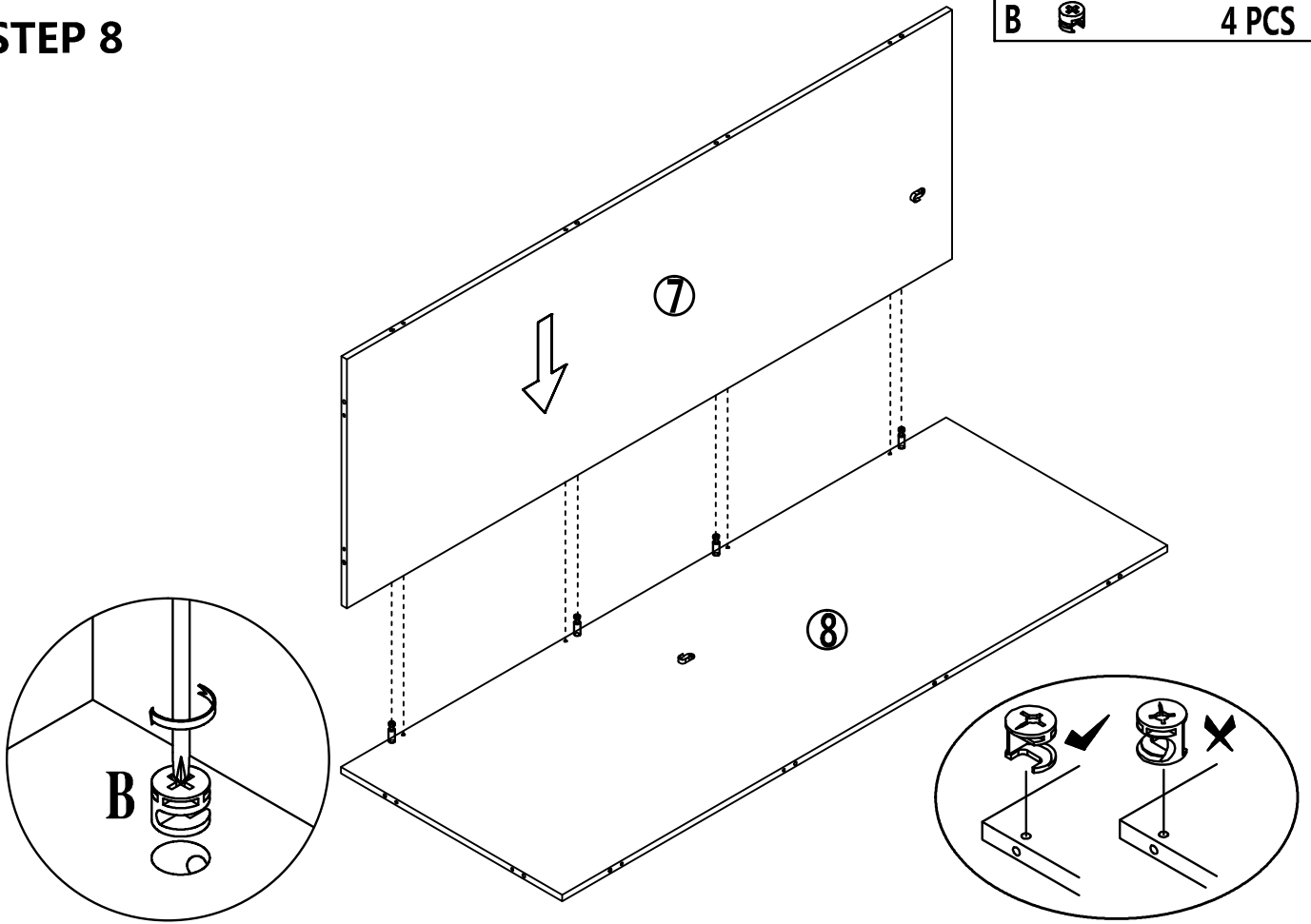
STEP 7

B		10 PCS
P		5 PCS



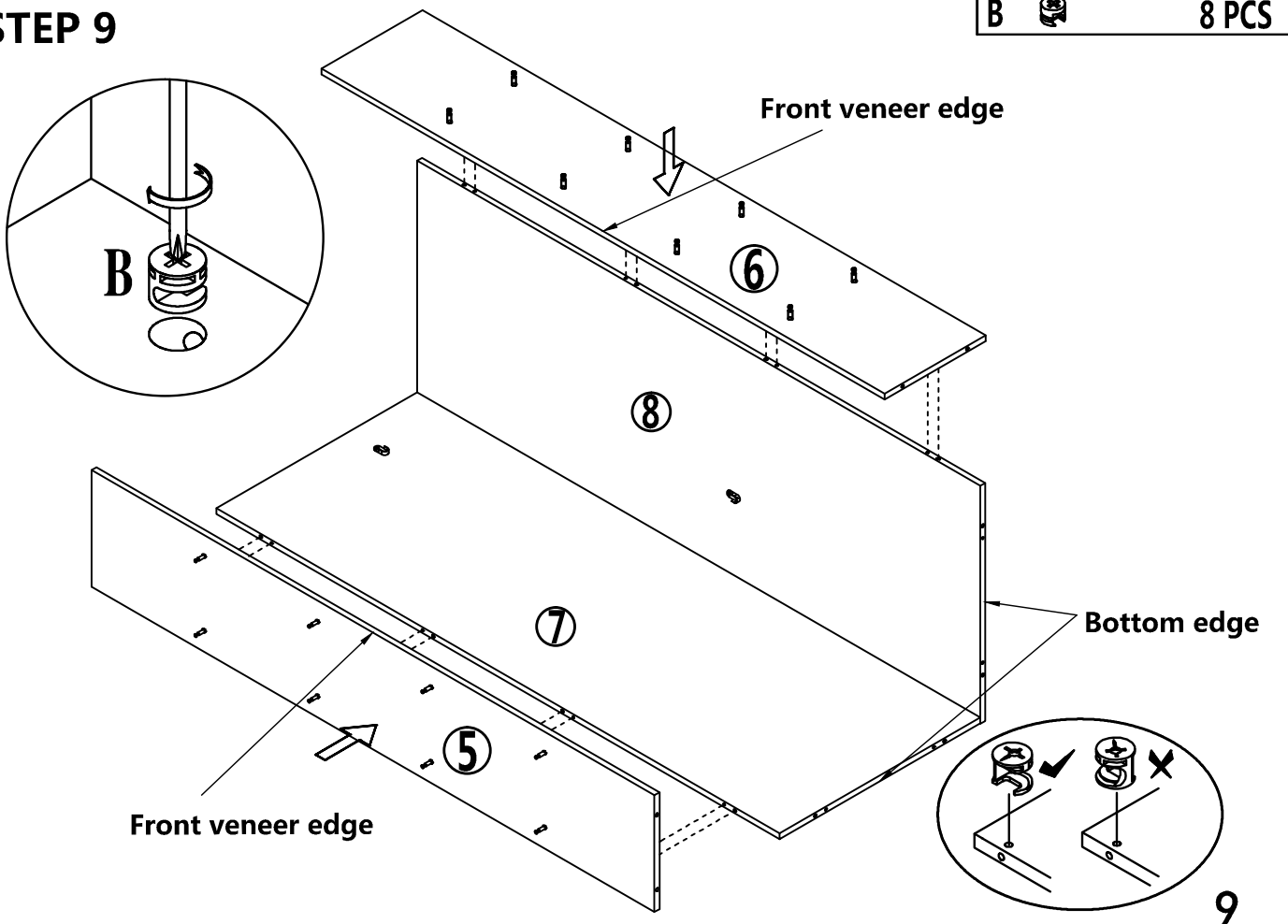
STEP 8

B  4 PCS



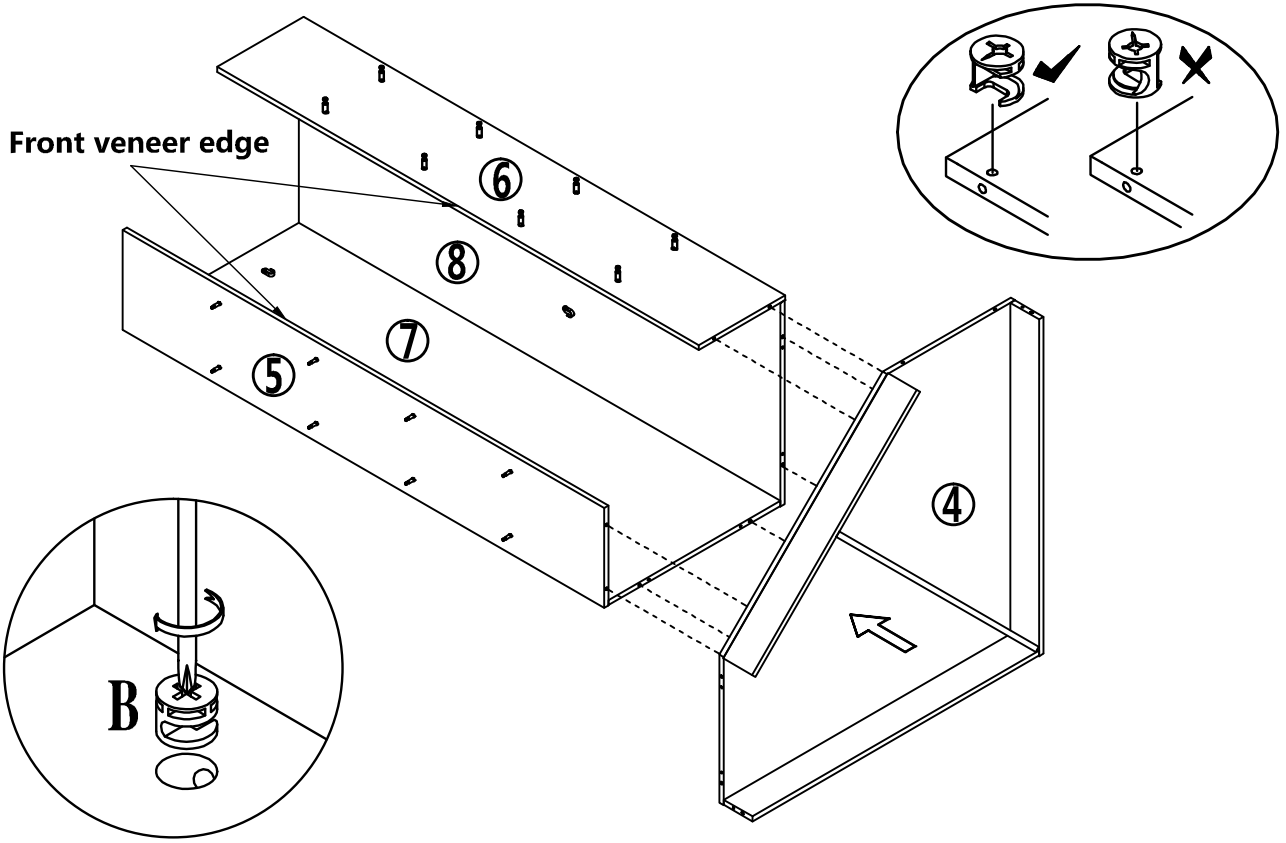
STEP 9

B  8 PCS




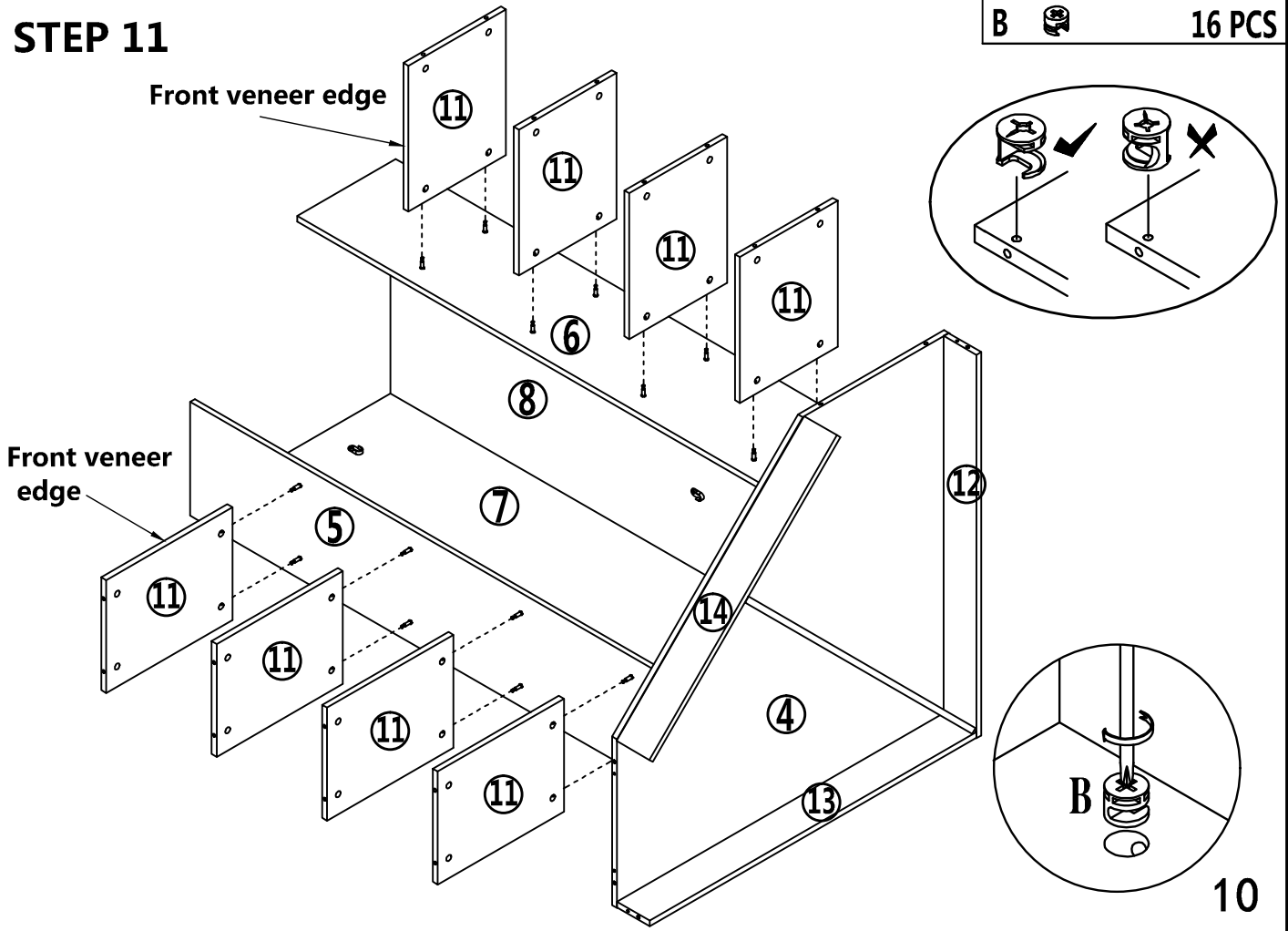
STEP 10

B  8 PCS



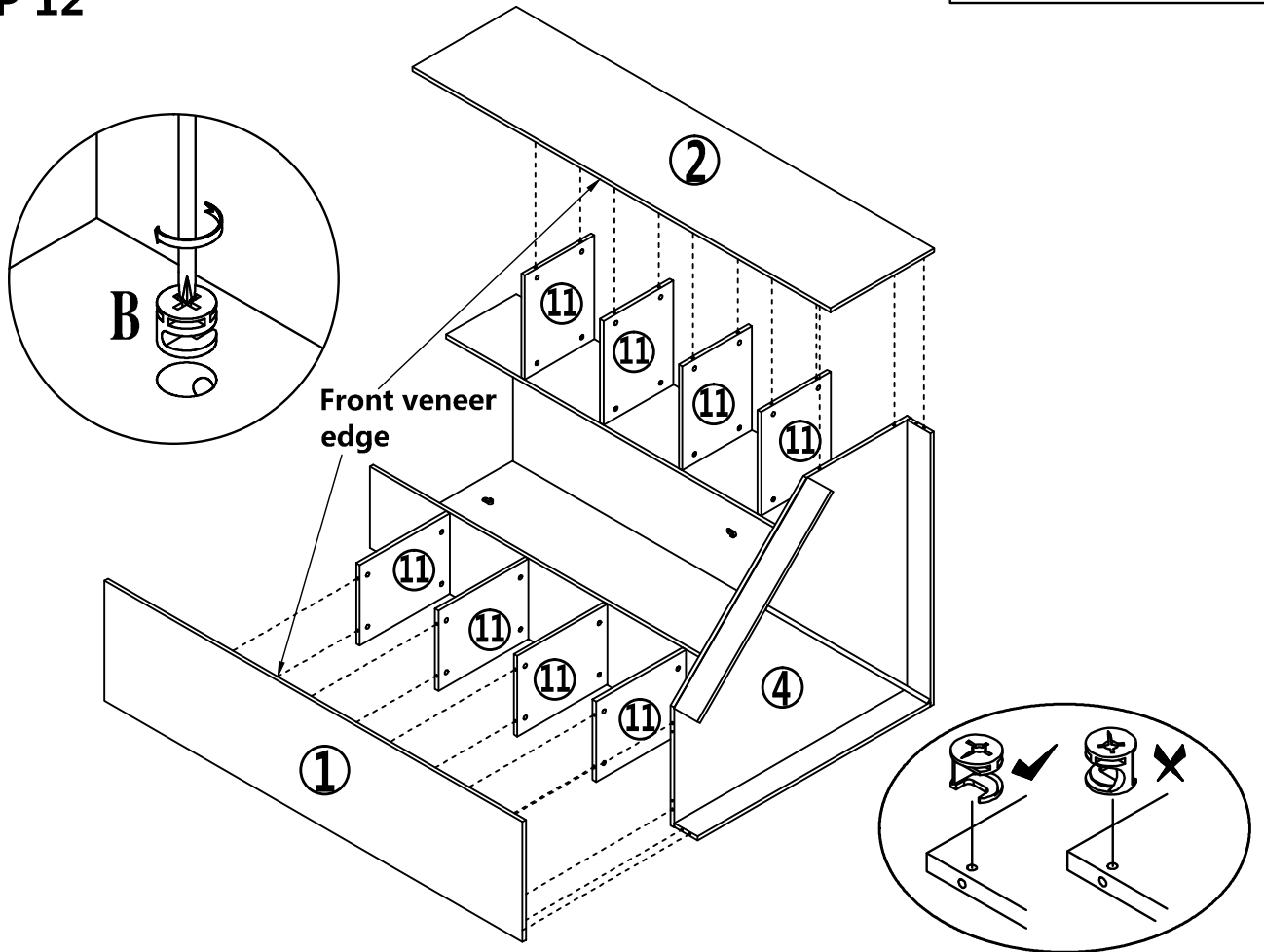
STEP 11

B  16 PCS

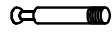




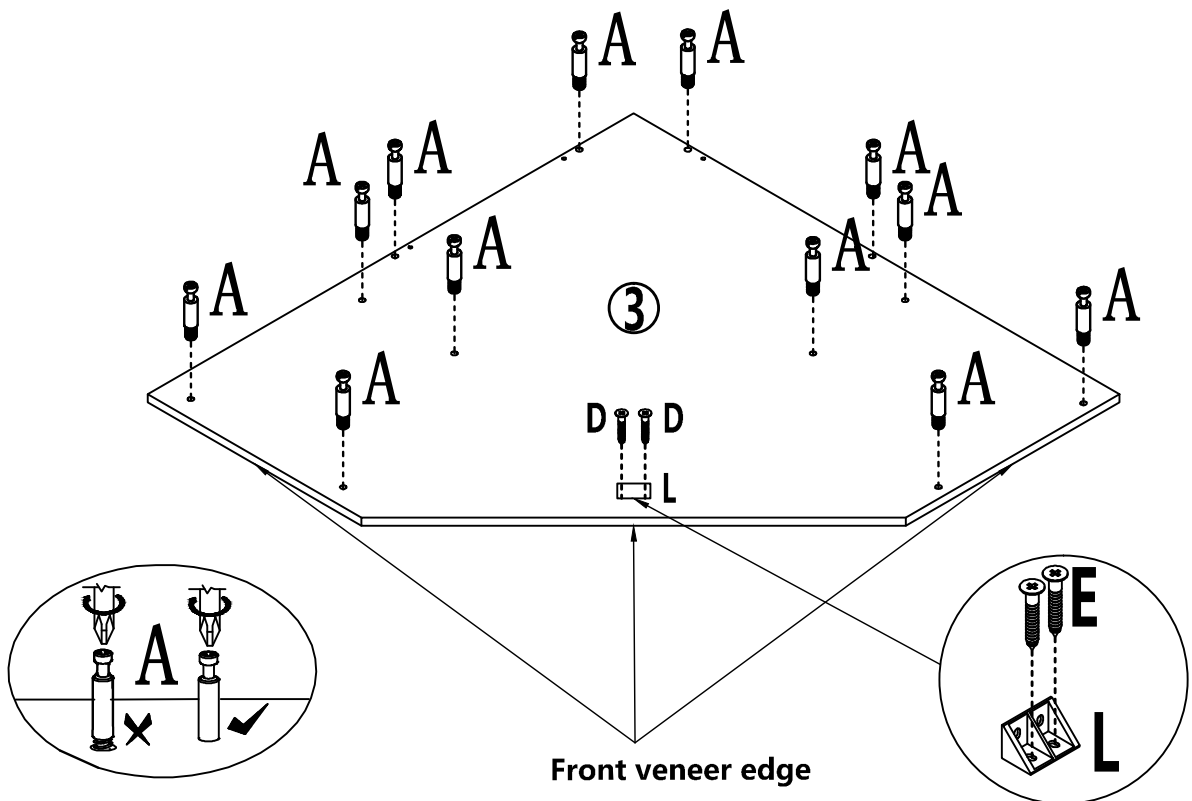
STEP 12

B  22 PCS



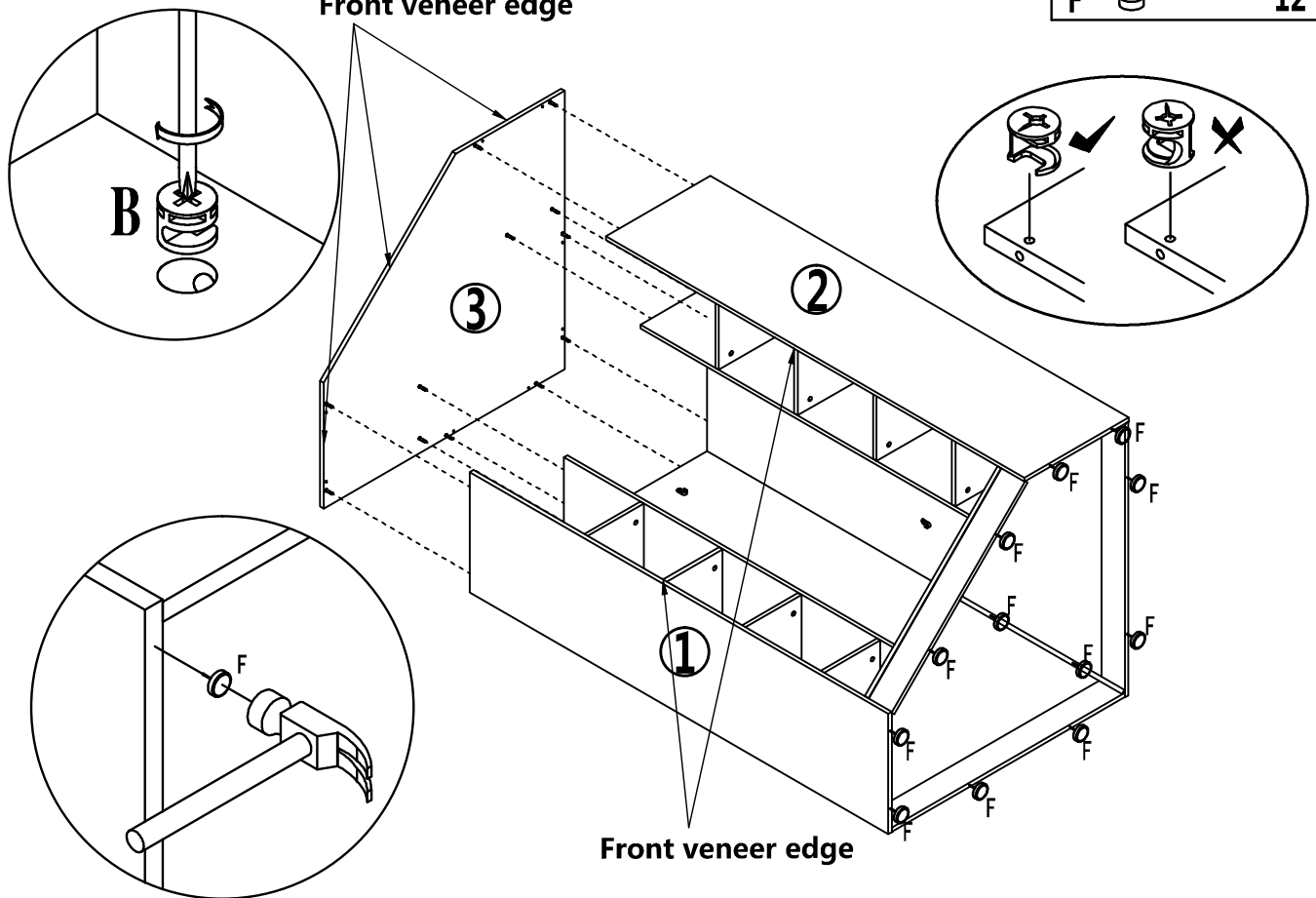
STEP 13

A		12 PCS
D		2 PCS
L		1 PCS




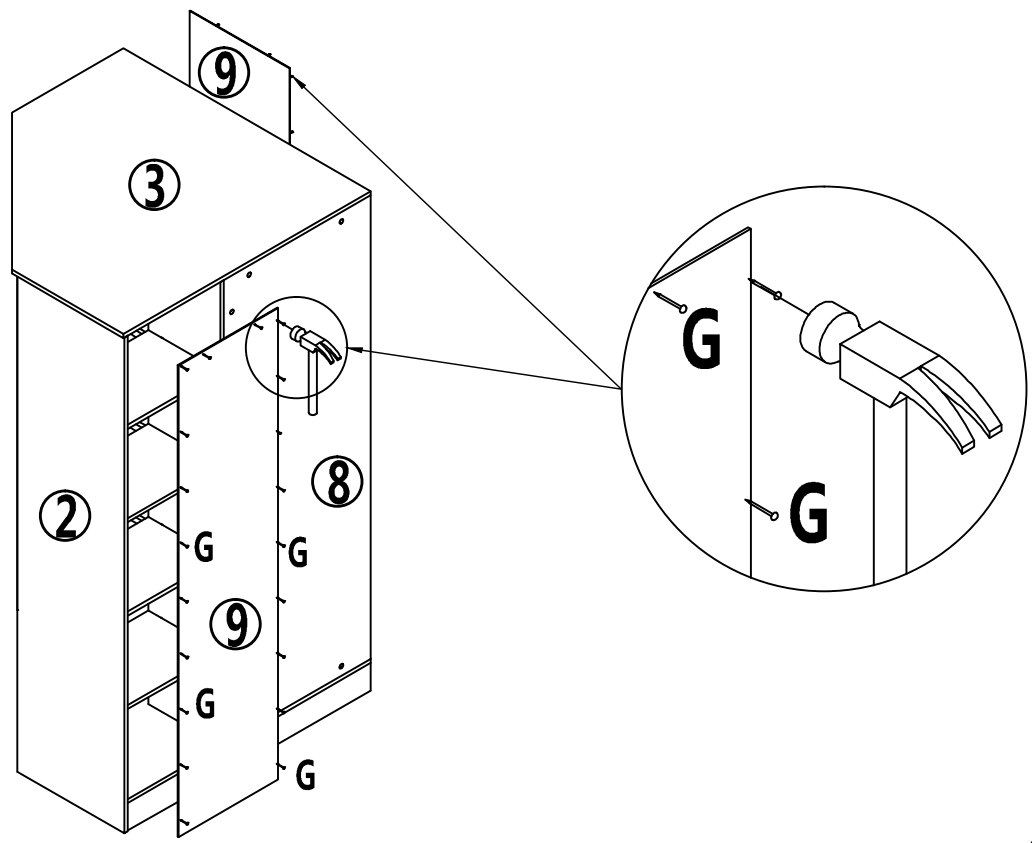
STEP 14

B		12 PCS
F		12 PCS







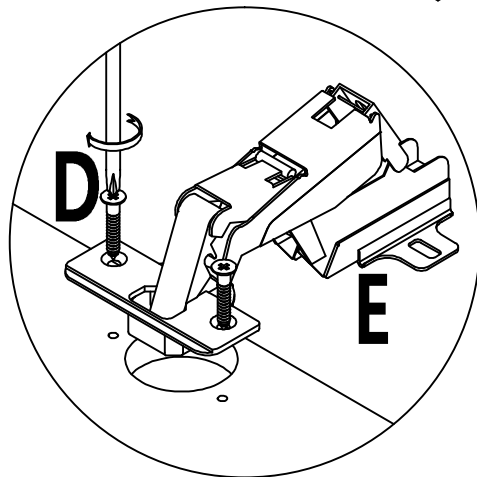
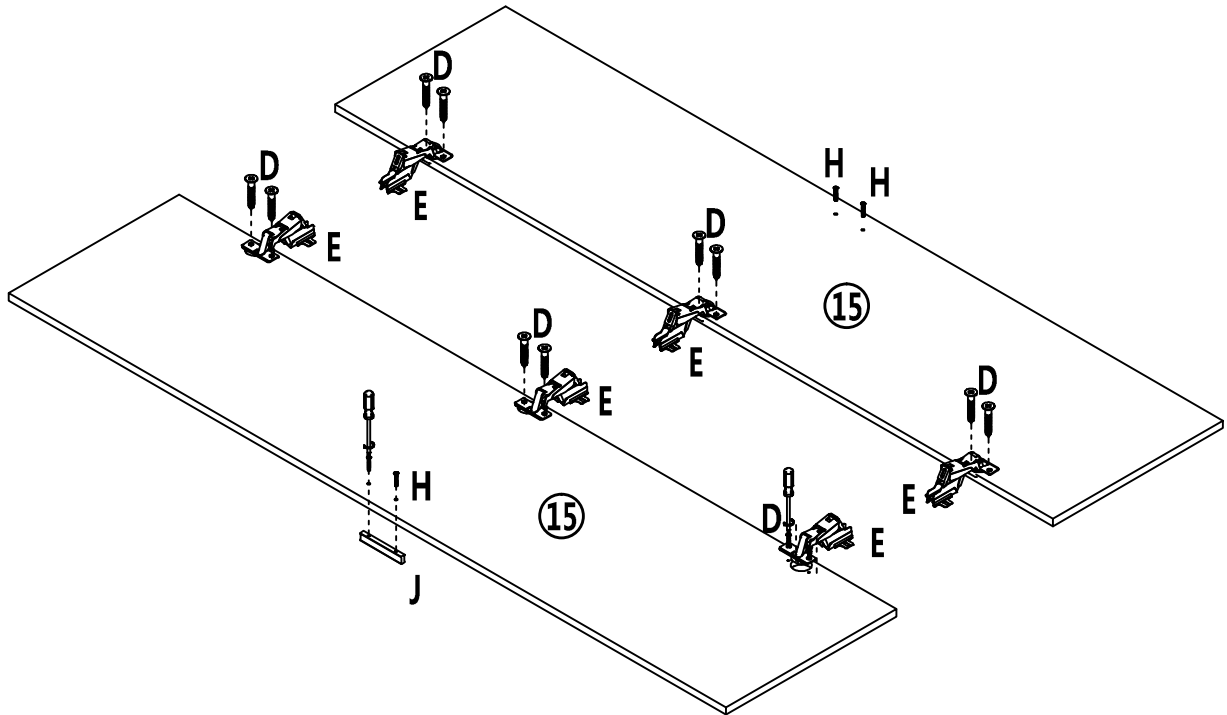
STEP 15

G		40 PCS
---	---	--------


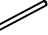


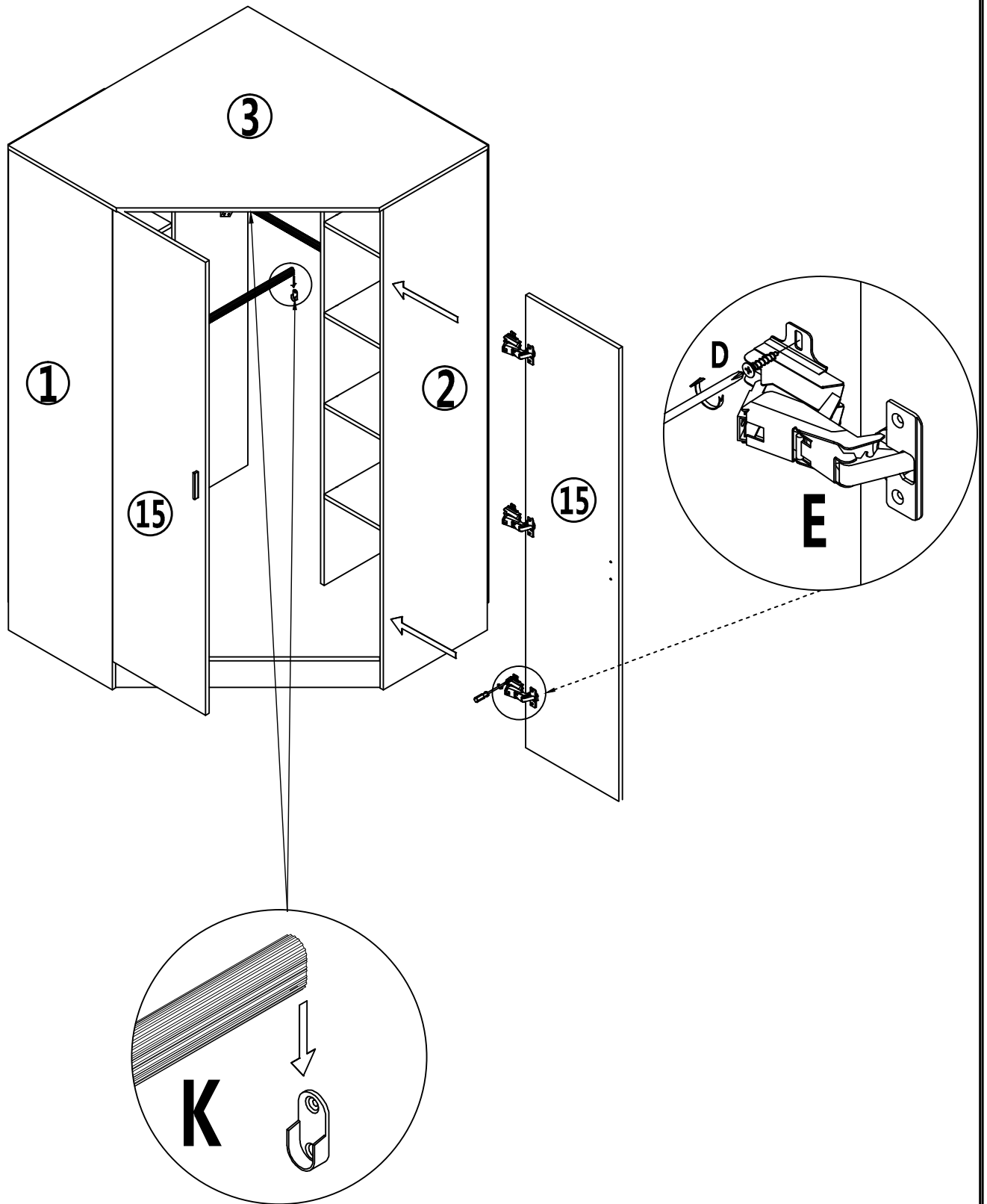
STEP 16

E		6 PCS
D		12 PCS
H		4 PCS
J		2 PCS



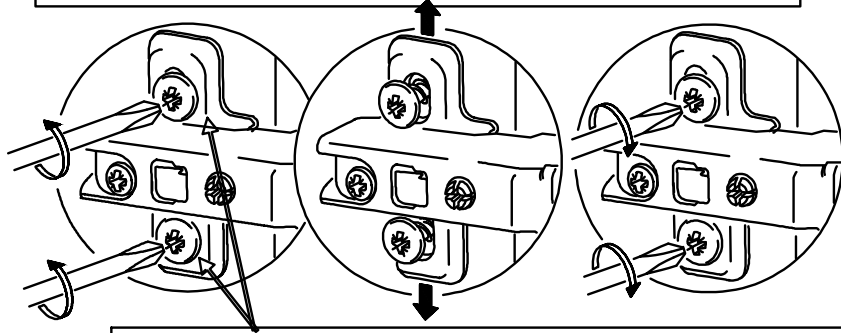
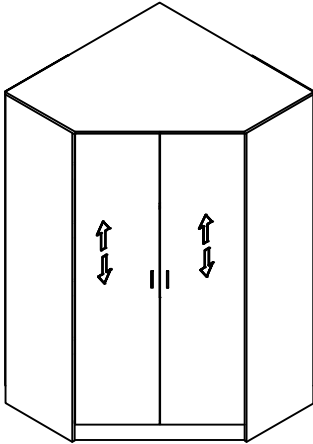
STEP 17

D		24 PCS
K		2 PCS

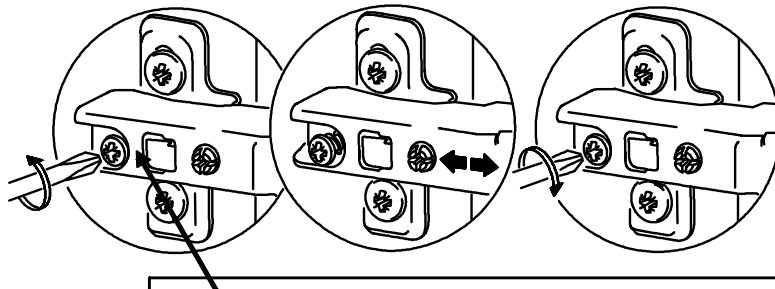
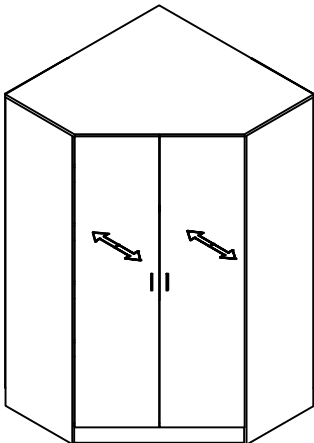




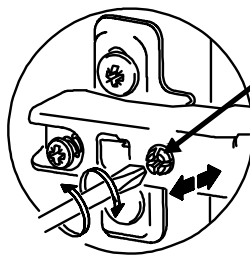
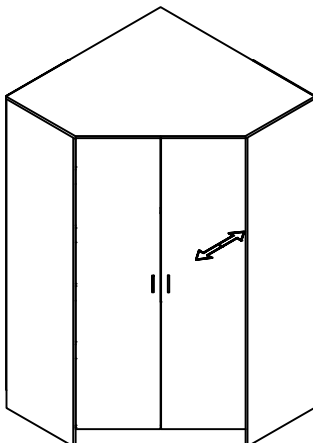
Customer Attention:
To Align Doors & Control Gap In Between Doors.
Product doors may need adjusting during & after
assembly or once wardrobe contains clothing.
This can be done by adjusting appropriate screws.
See below illustration.



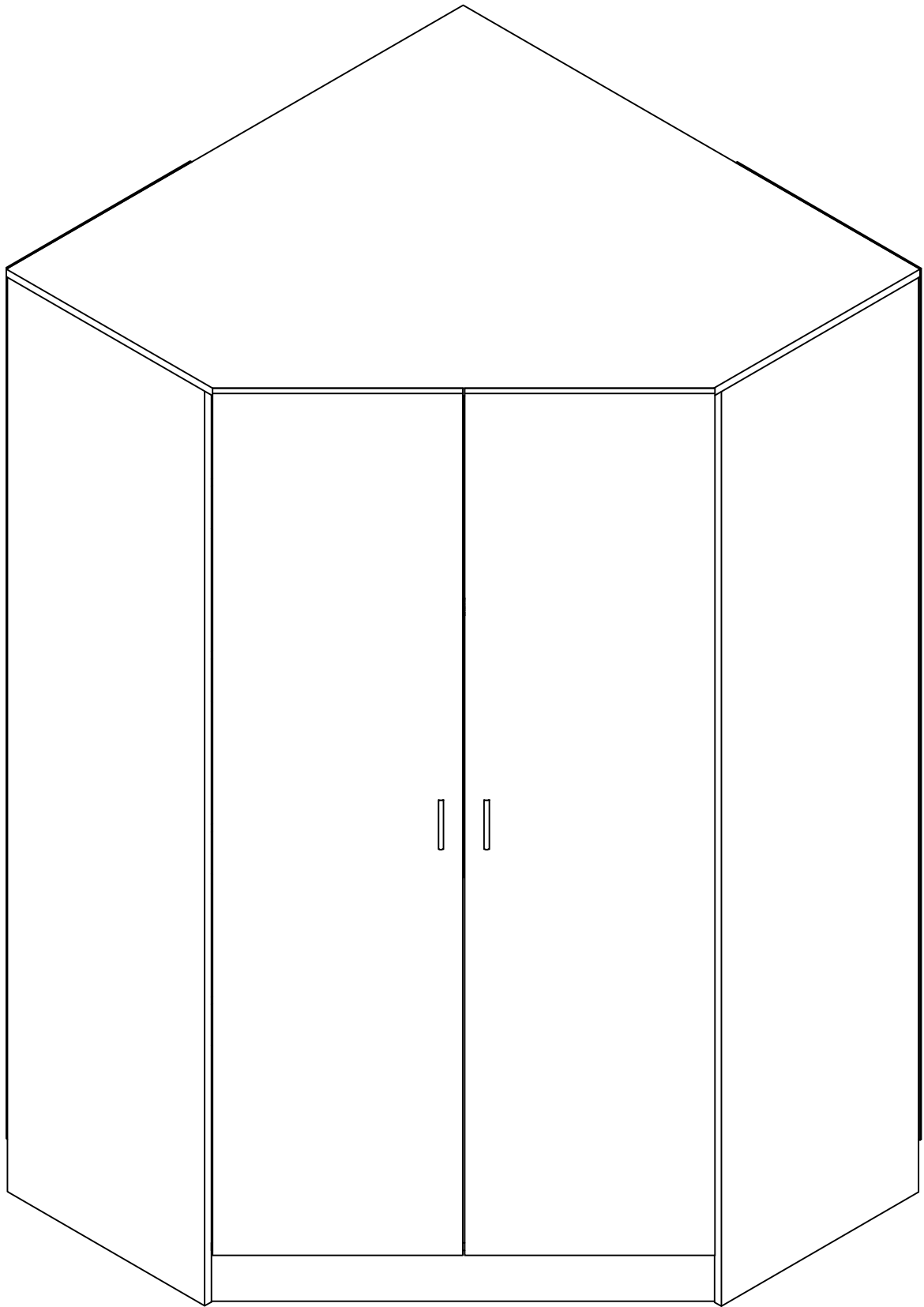
Vertical Door Adjustment:
Loosening both screws on all hinges and lift the door
to desired height. This allows an even space at the
top and bottom between door and wardrobe frame.



Lateral Door Adjustment:
If door is hinge bound, (rubbing on frame as you
close or open door) loosening screw shown and
move the door in appropriate direction. (In or out)



Horizontal Door Adjustment:
Rotate Screw clock wise or anti
clockwise. This will produce an even gap
between doors and frame.

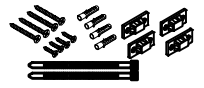


OK

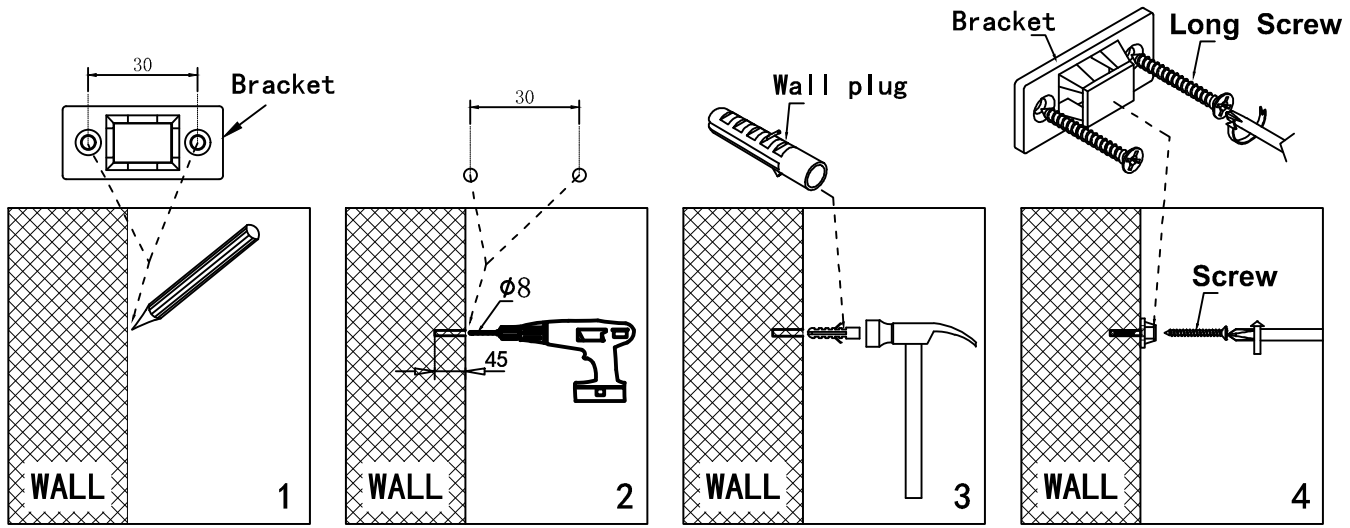
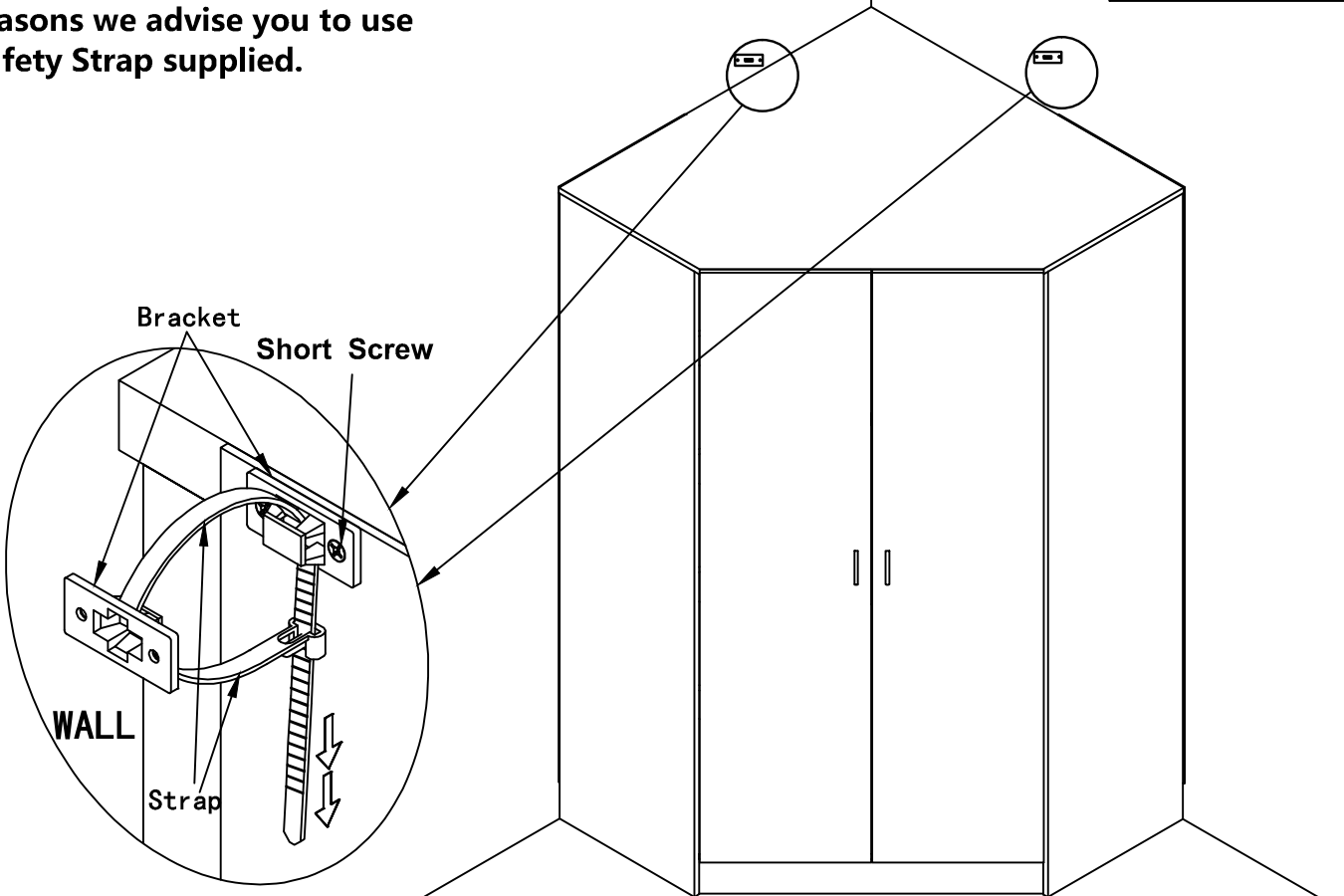
STEP 18

OPTIONAL:
For Health and Safety reasons we advise you to use Safety Strap supplied.

Bracket/Strap

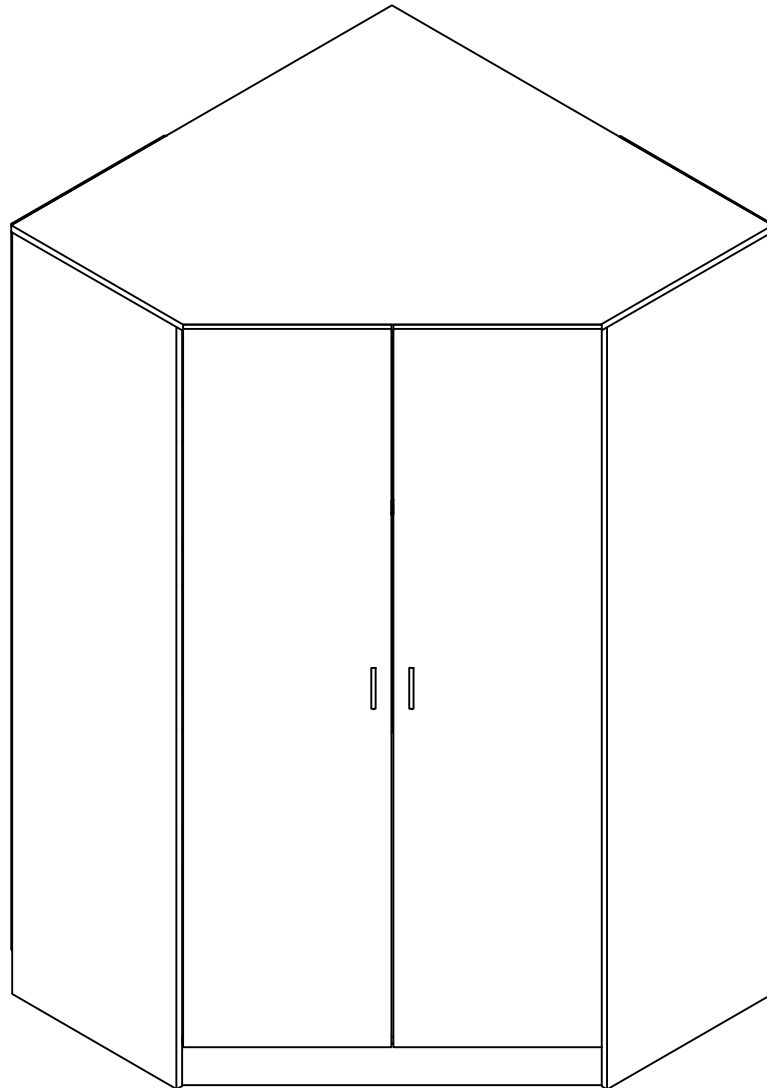


M=1

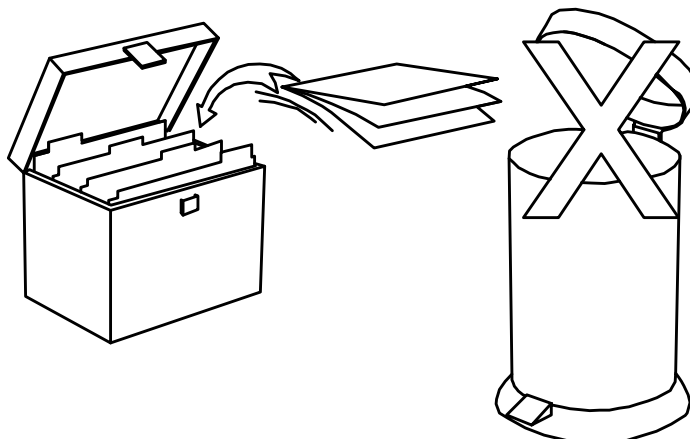


Your **CORNER WARDROBE** is now completely assembled


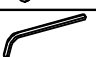
Periodically check to ensure that the components are in their proper position , free from damage Also , make sure the connectors are tight and secure.

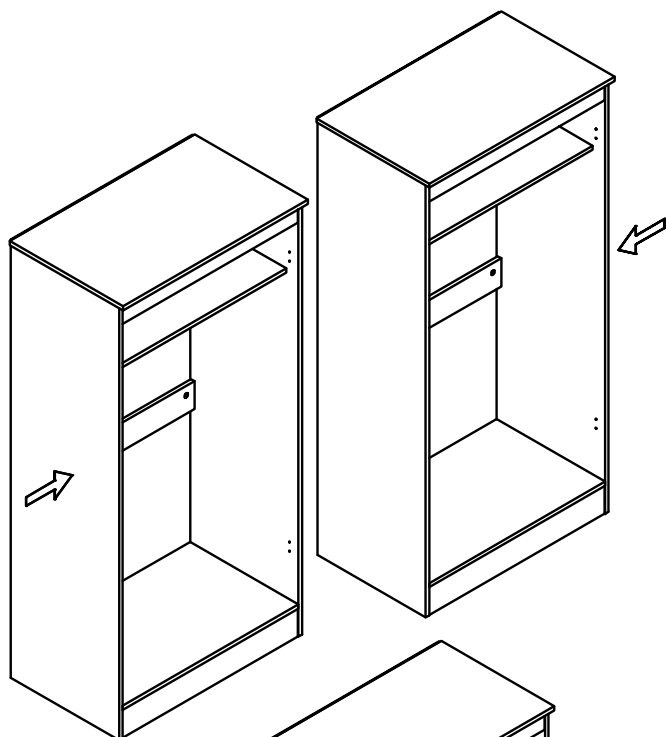


Keep instructions for future reference



Optional step - available to match reflect range wardrobes only

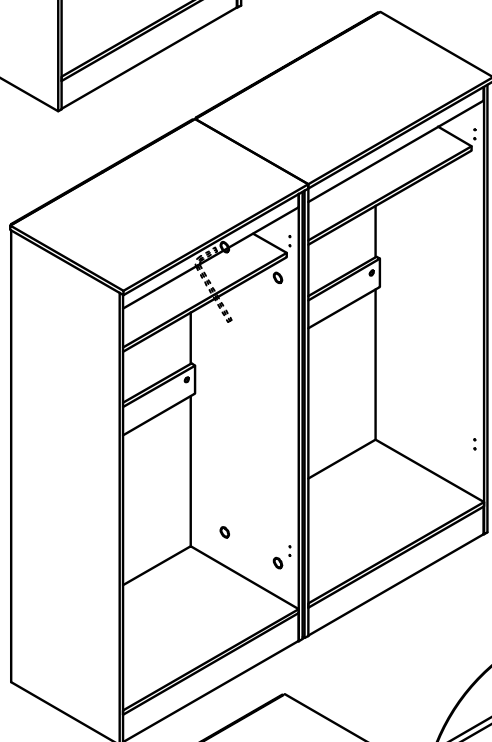
O		4 PCS
N		1 PC



To Secure multiple pieces of the wardrobes together:

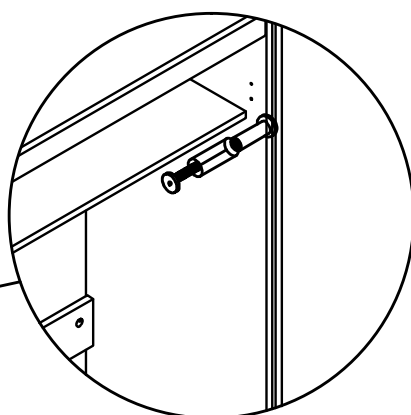
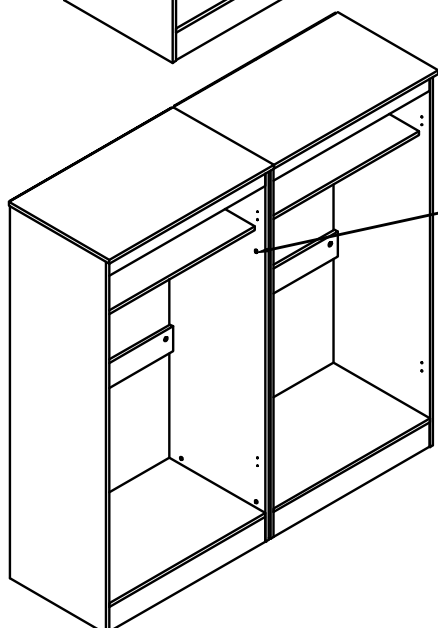
Step 1:
Position the wardrobes together in the location where they will remain

It will be easier to connect the wardrobes with the doors removed



Step 2:
Drill through both side panels as indicated

The holes should be level for the best results.



Step 3:
Position the receiving sleeve of the bolt on the right wardrobe.
Then screw screw the into the receiver .