

Outdoor Storage Shed 10X8ft Manual

Dear customer,

Thank you for your support. If you have any questions or concerns, please don't hesitate to contact us. Our customer service team is always here to help and assist you in any way we can. Thank you again for choosing our chicken coop.

Street: 8 The Green Suite A

City: Dover State: DE

Post code: 19901

Phone: 3022415039/

6605538327

Email: easyhelpservice@yahoo.com

Scan the code on your phone and
contact us via email.



sannwsg.com

After-sales phone service hours:

US Central Time: 19:00-23:00

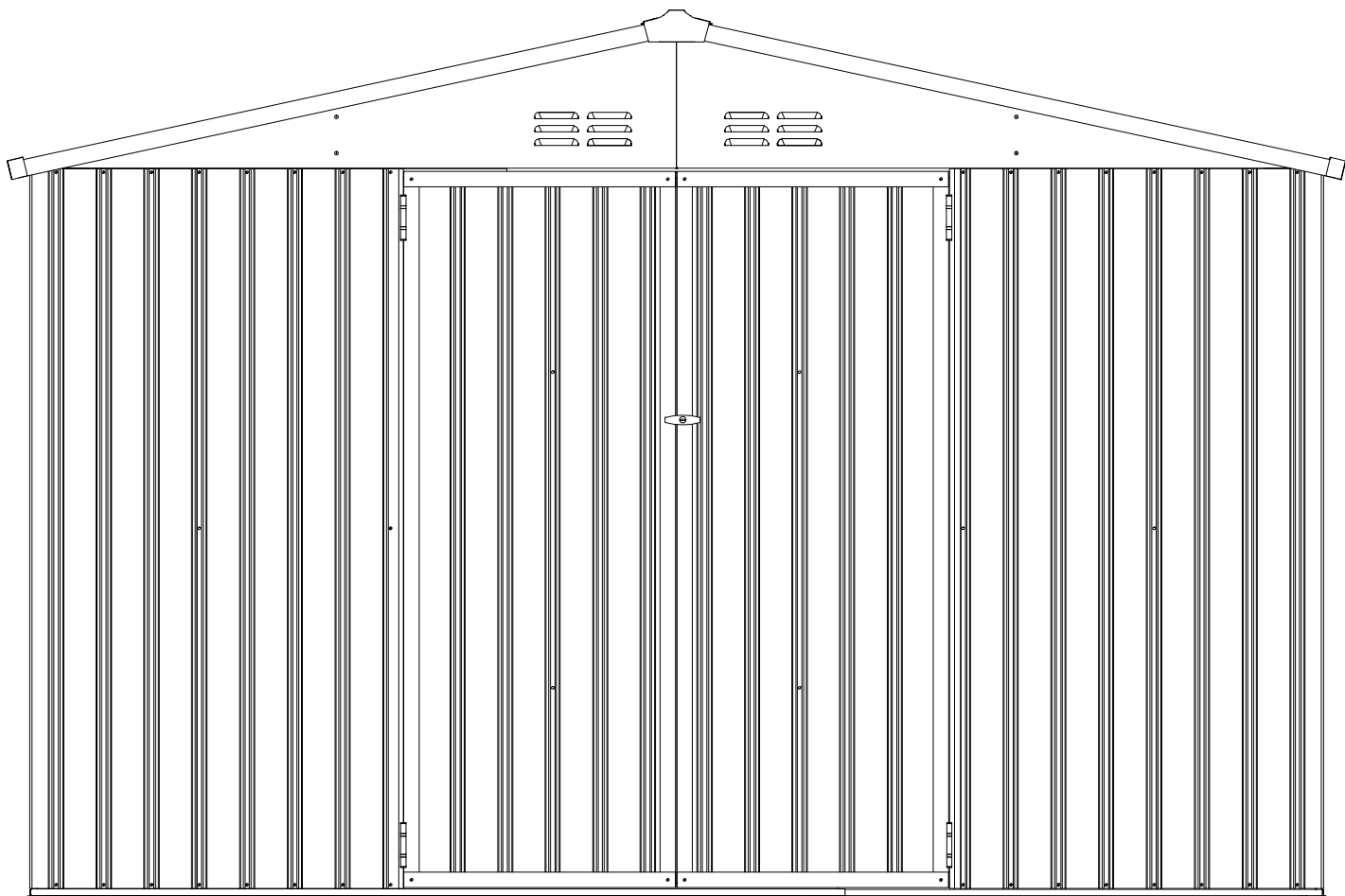
Seattle time: 17:00-21:00

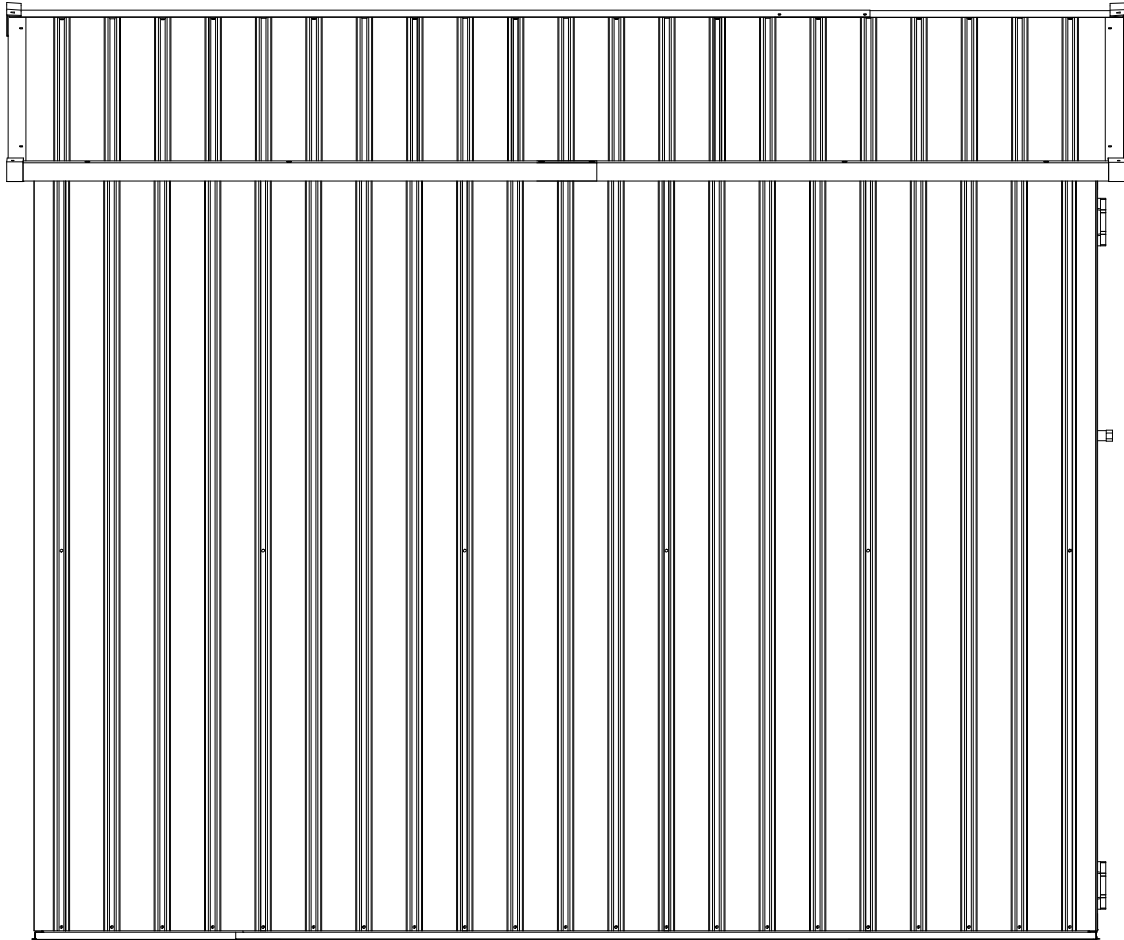
US Eastern Time: 20:00-00:00

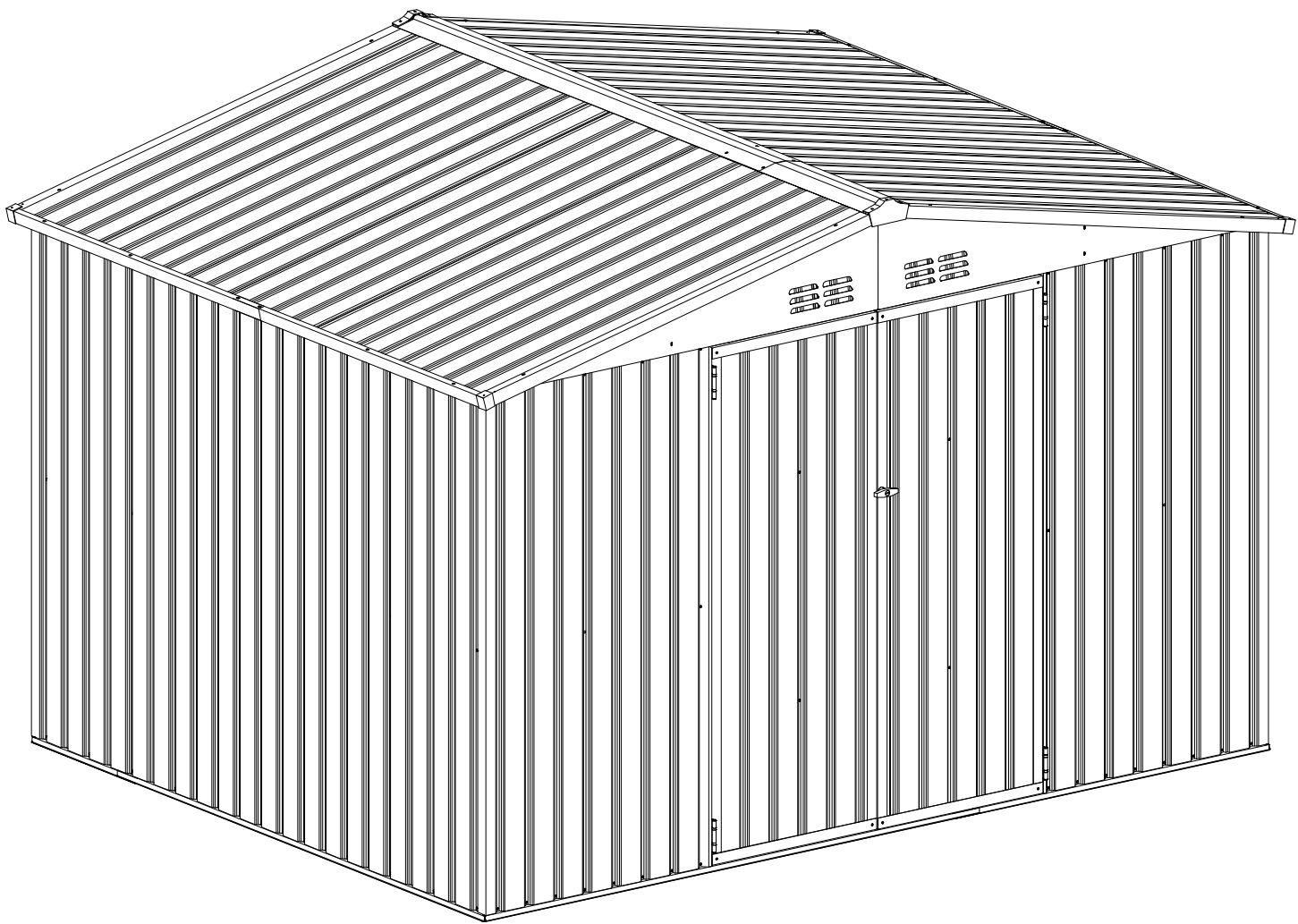
Toronto time: 20:00-00:00

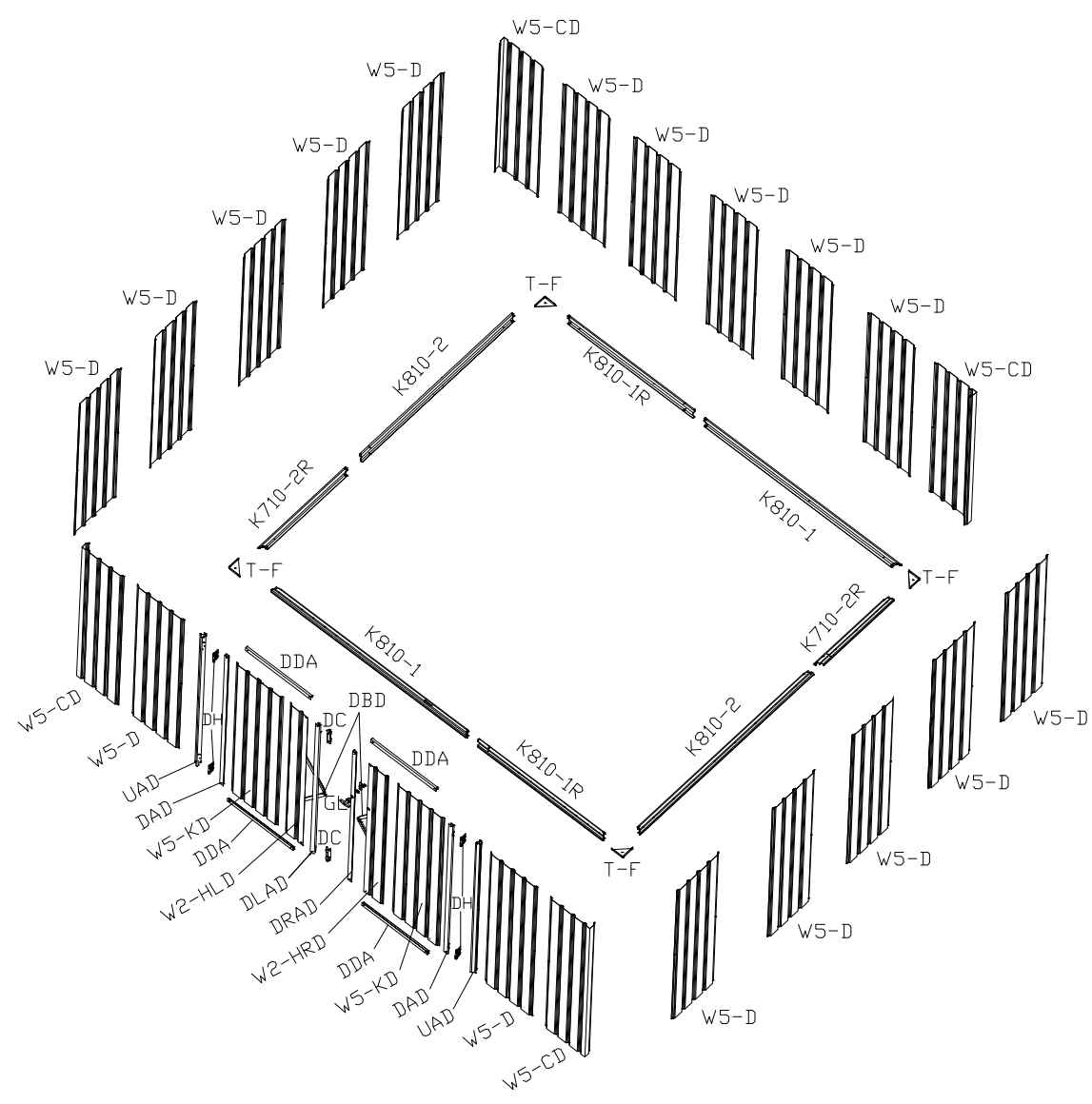
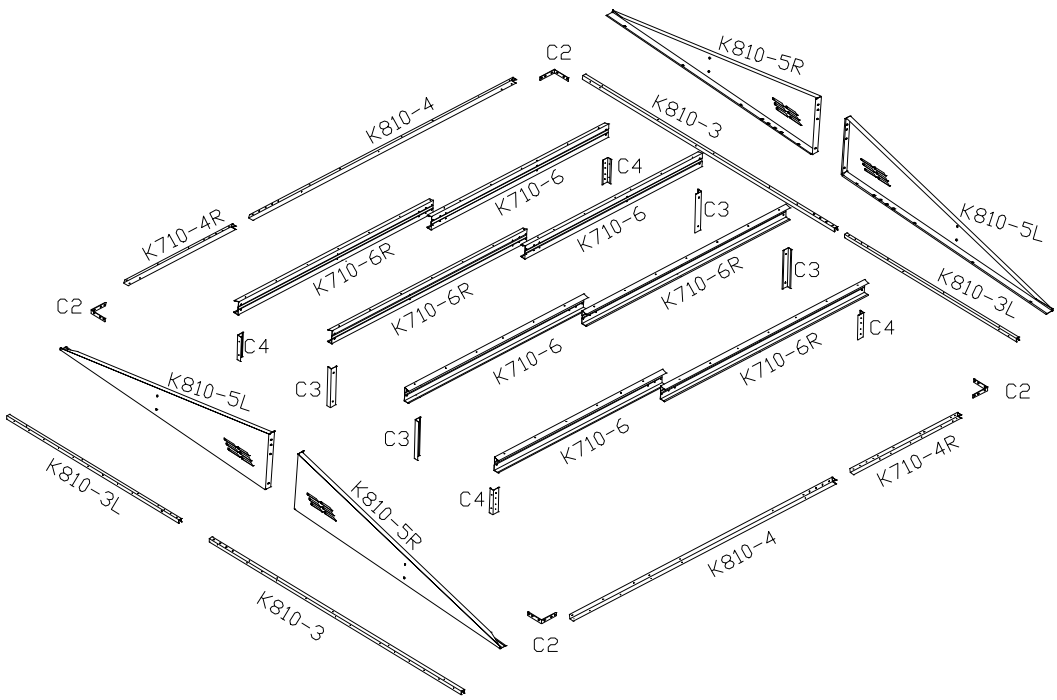
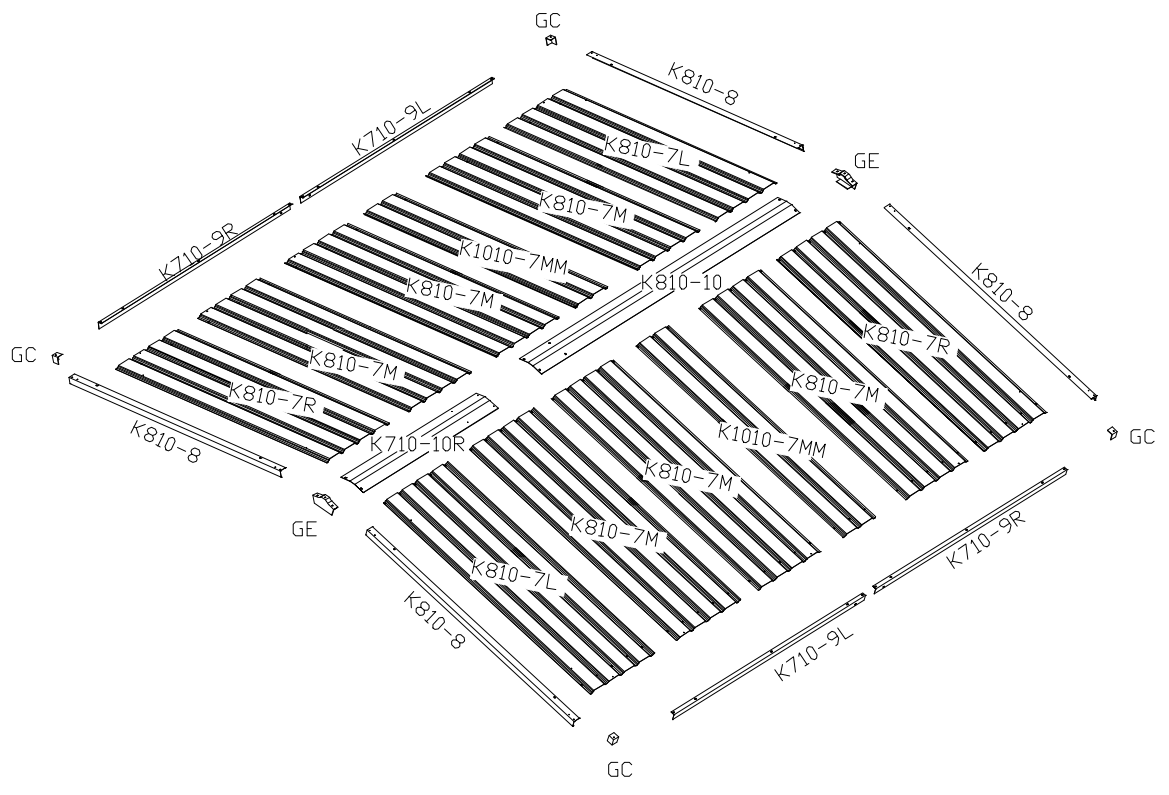
Germany time: 8:00-11:00

After-sales mailbox service time:
7*24 hours



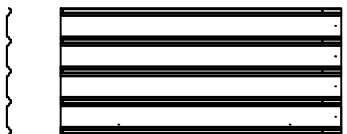
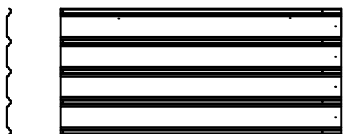













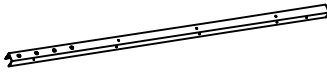

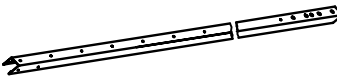
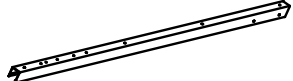
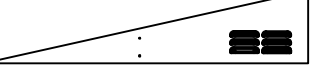
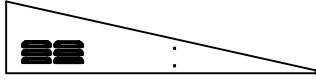

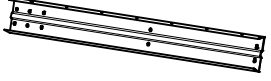




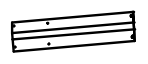

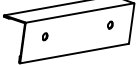


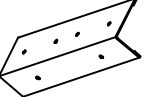



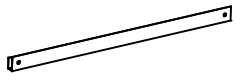
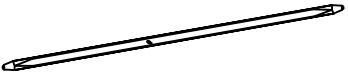


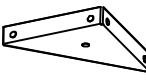

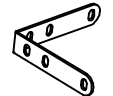
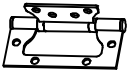




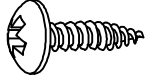
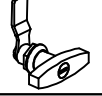

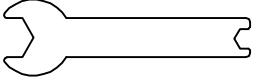
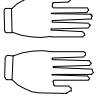






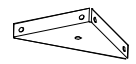

K108parts list(A)

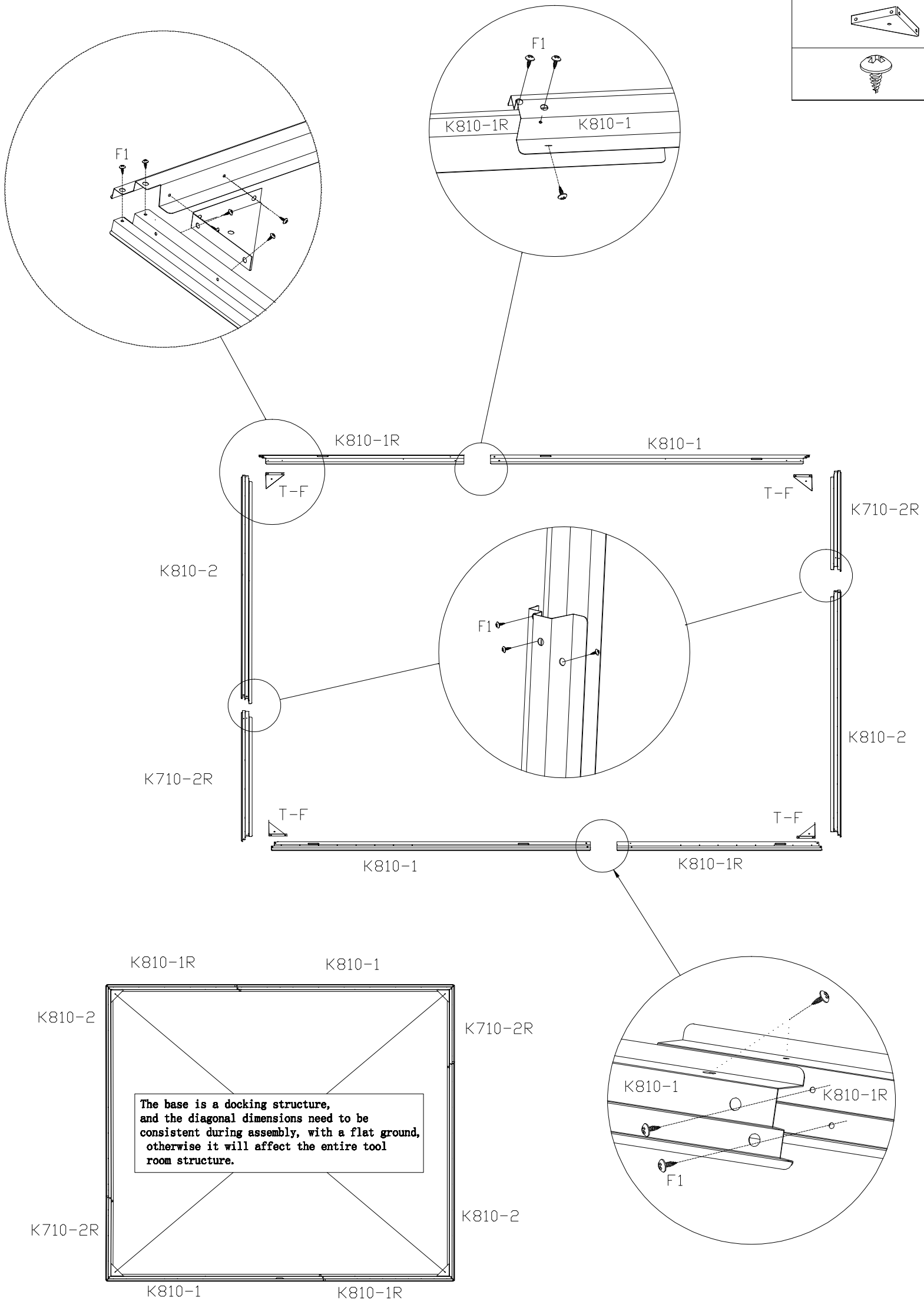
PART	NO.	QTY.
	W5-D	17
	W5-KD	2
	K810-7L	2
	K810-7R	2
	K810-7M	6



K108parts list(B)

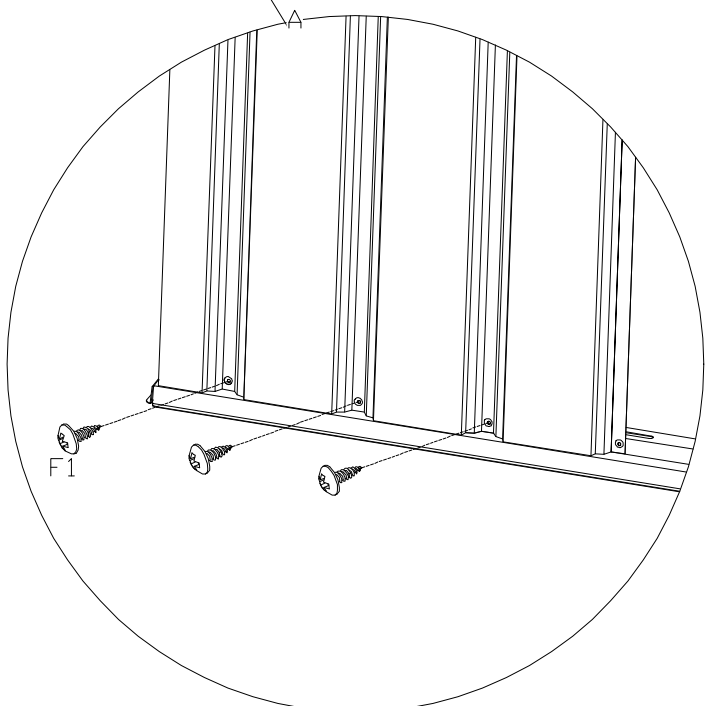
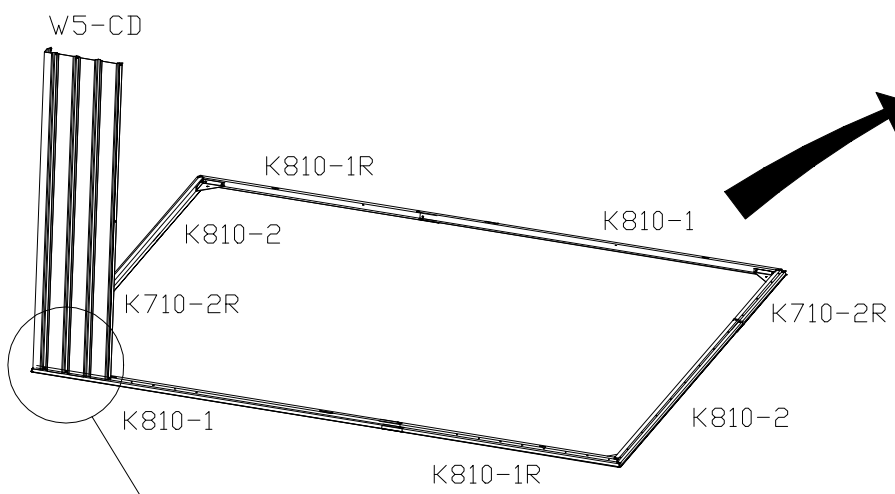
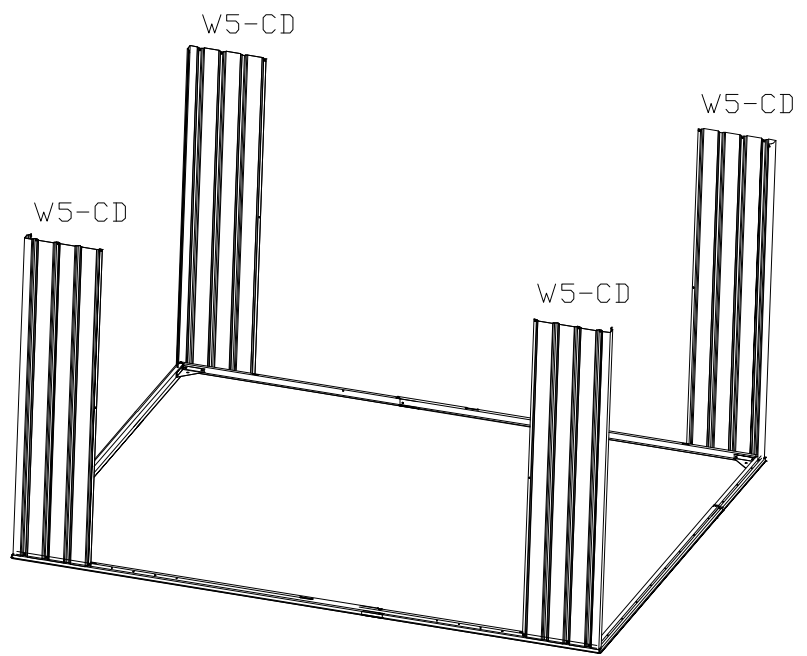
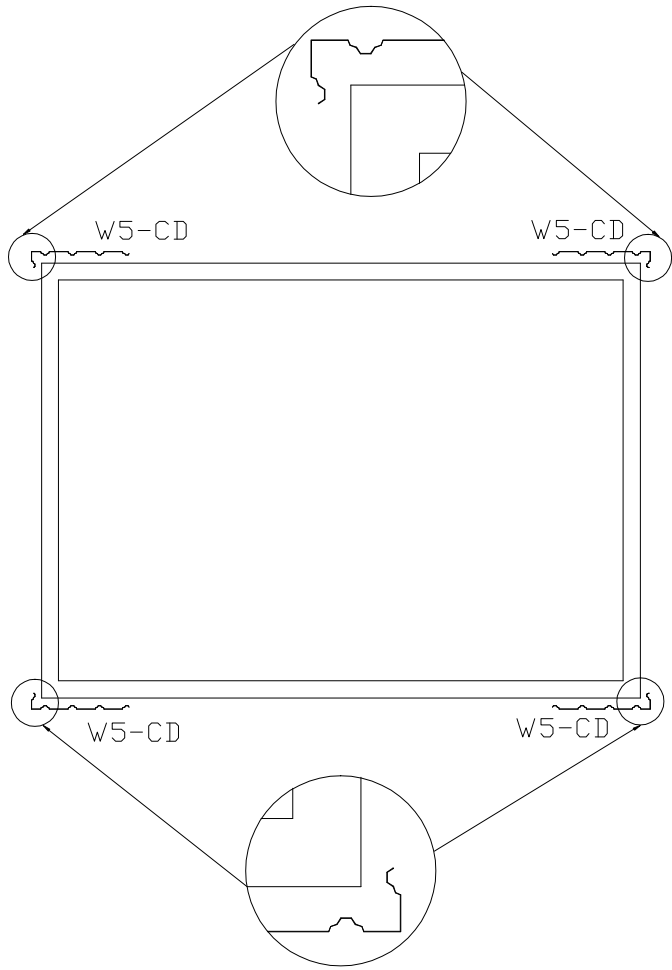
PART	NO.	QTY.
	W5-CD	4
	K1010-7MM	2
	W2-HLD	1
	W2-HRD	1
	K810-1	2
	K810-1R	2
	K810-2	2
	K710-2R	2
	K810-3	2
	K810-3L	2
	K810-4	2
	K710-4R	2
	K810-5L	2
	K810-5R	2
	K710-6	4
	K710-6R	4
	K810-8	4
	K710-9L	2
	K710-9R	2
	K810-10	1
	K710-10R	1
	UAD	2
	C3	4




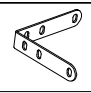
PART	NO.	QTY.
	C4	4
	DAD	2
	DLAD	1
	DRAD	1
	DDA	4
	DBD	4
	GC	4
	GE	2
	T-F	4
	DC	2
	C2	4
	DH	4
	F1	408
	F2	68
	F3	32
	V2	160
	F4	4
	GL	1
	SL	50
	M20	1
	ST	2

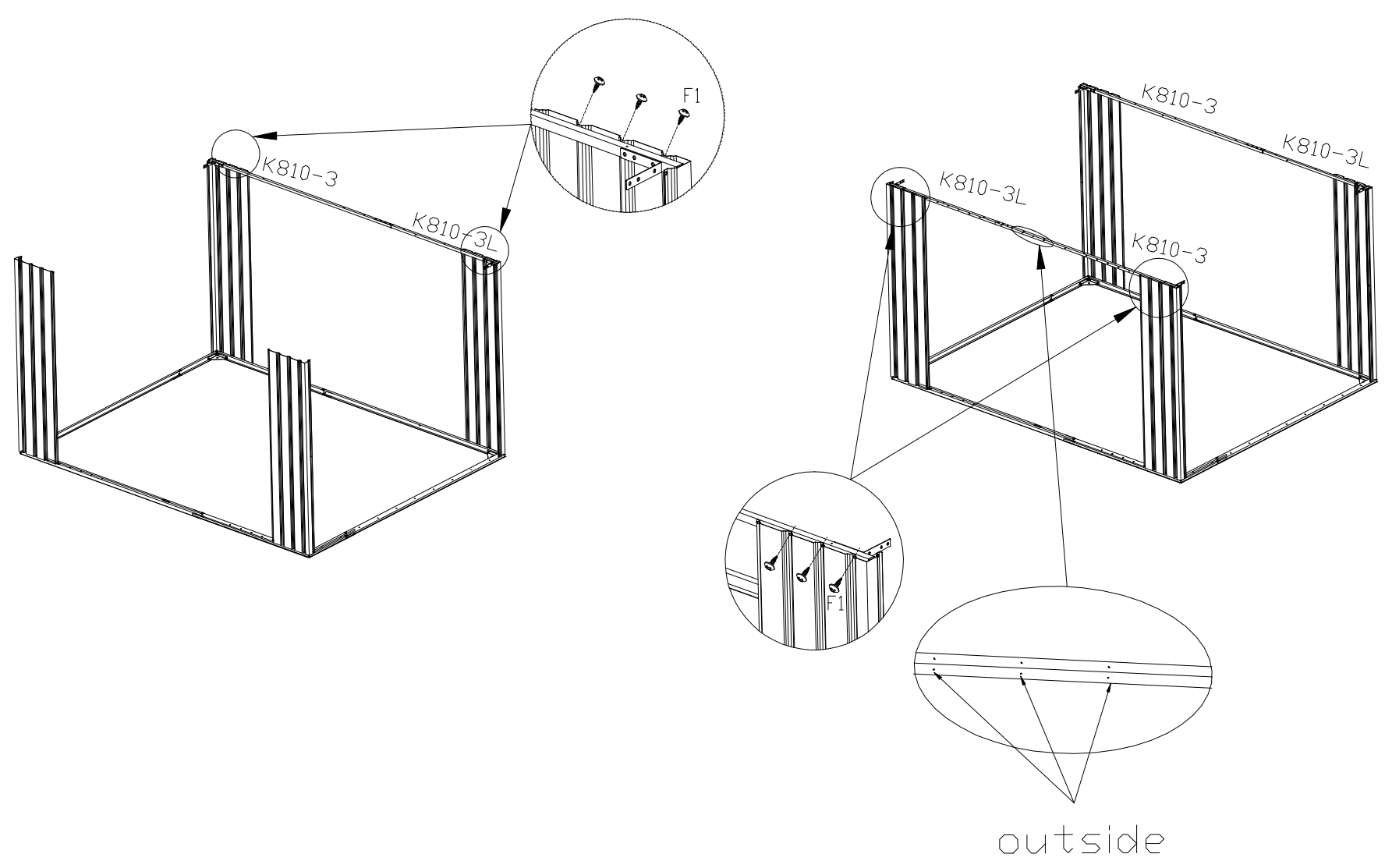
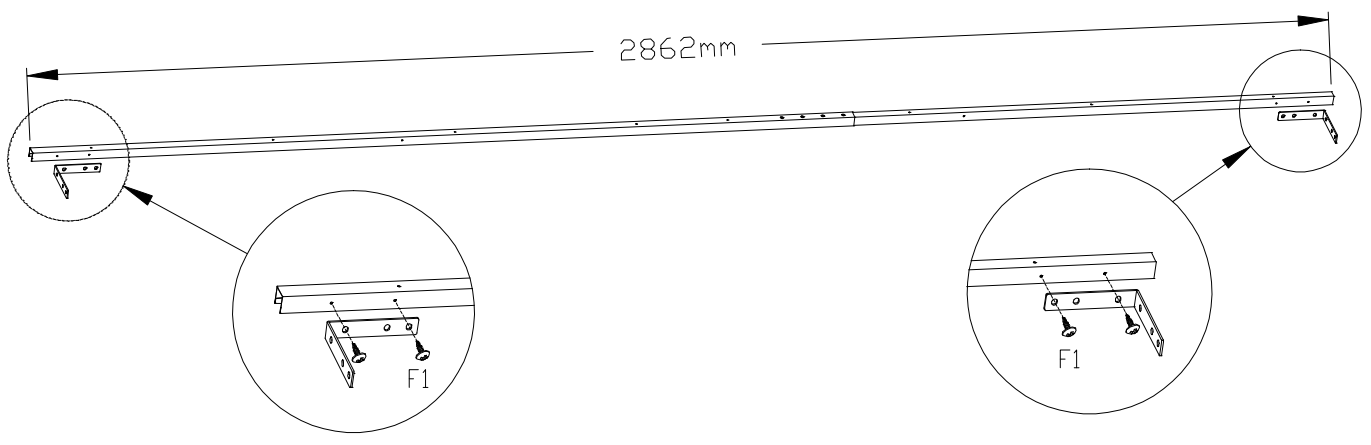
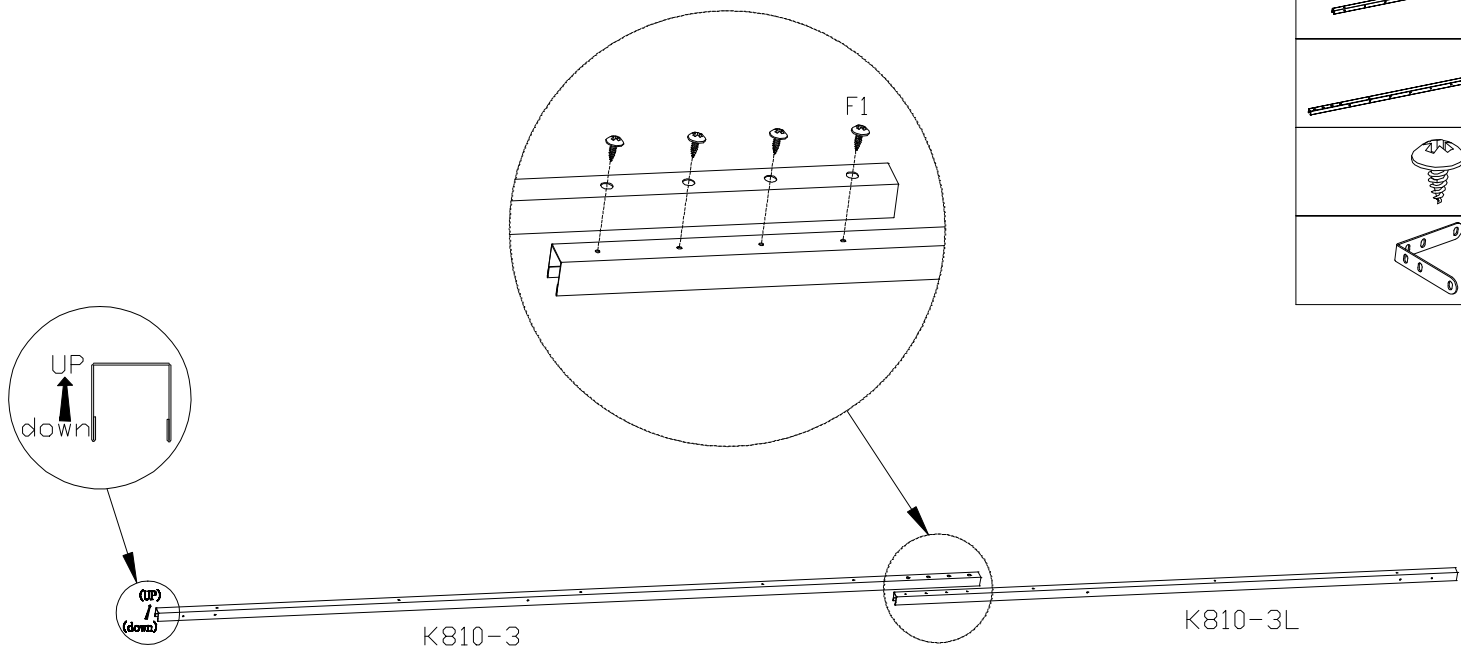
PART	NO.	QTY
	K810-1	2
	K810-1R	2
	K810-2	2
	K710-2R	2
	T-F	4
	F1	36






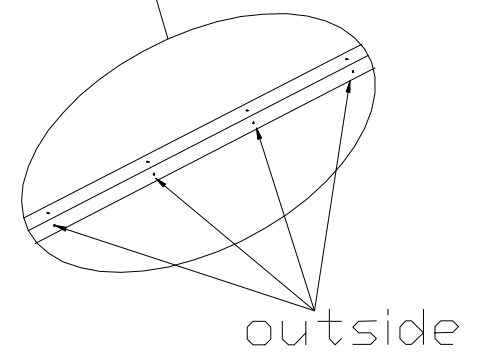
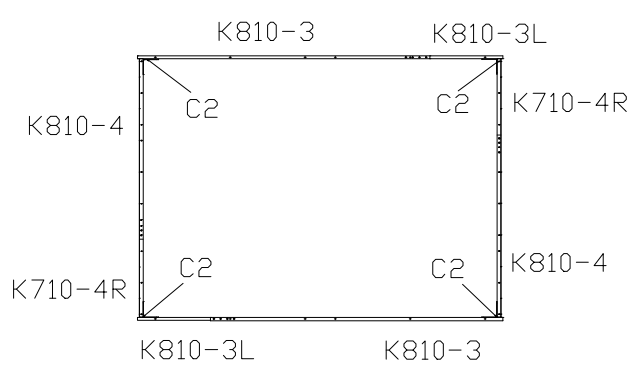
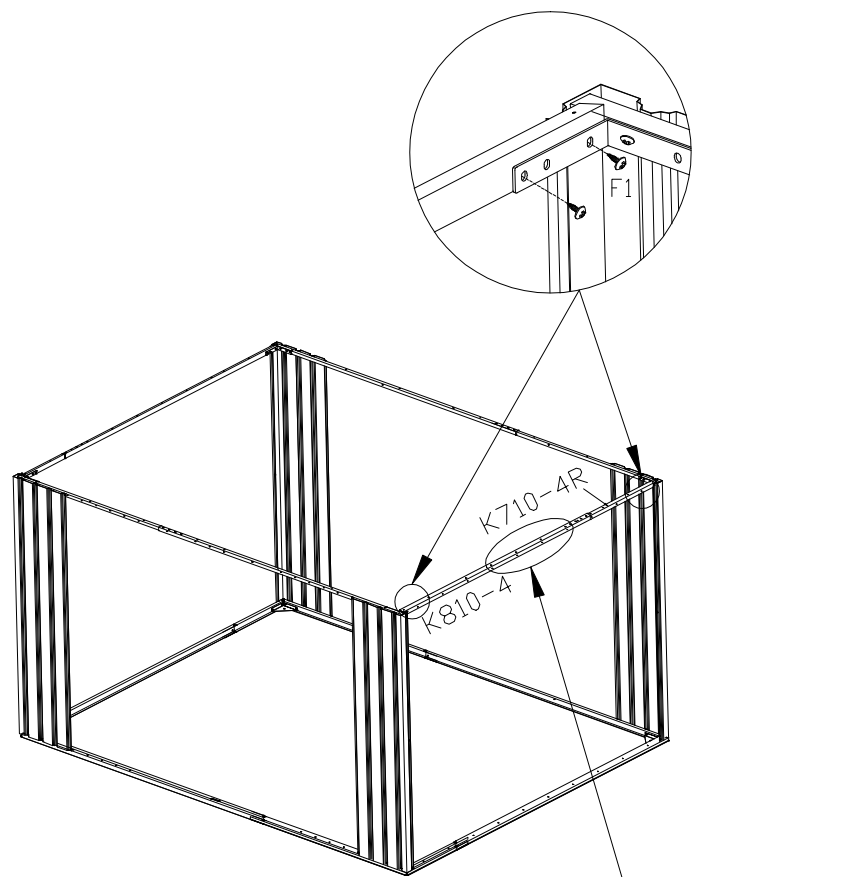
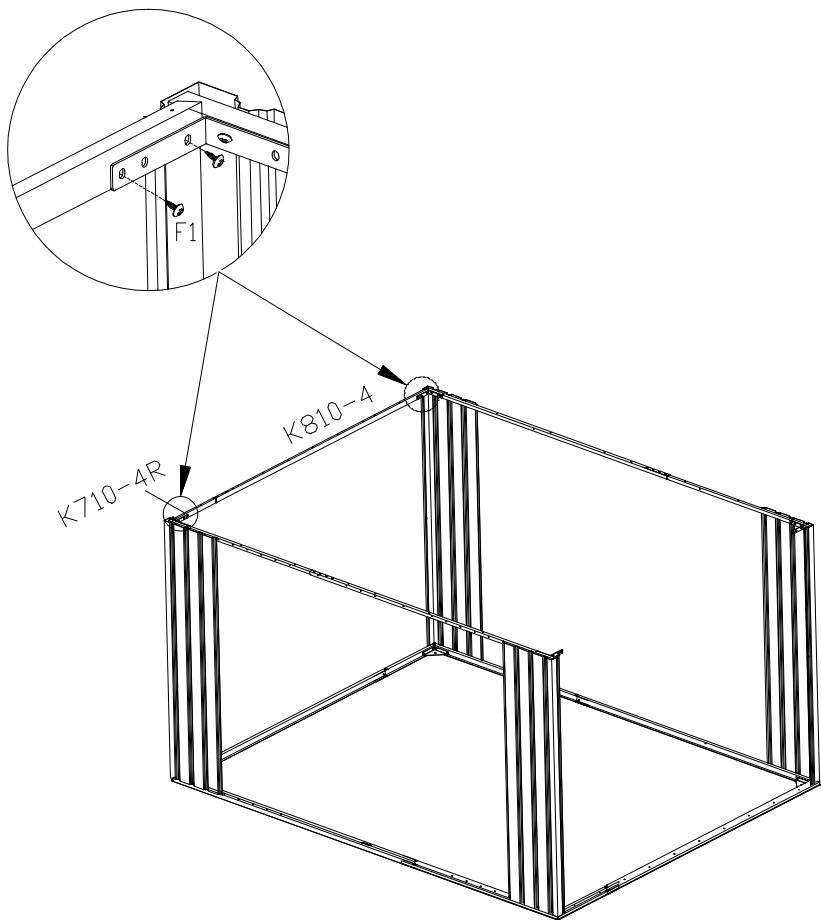
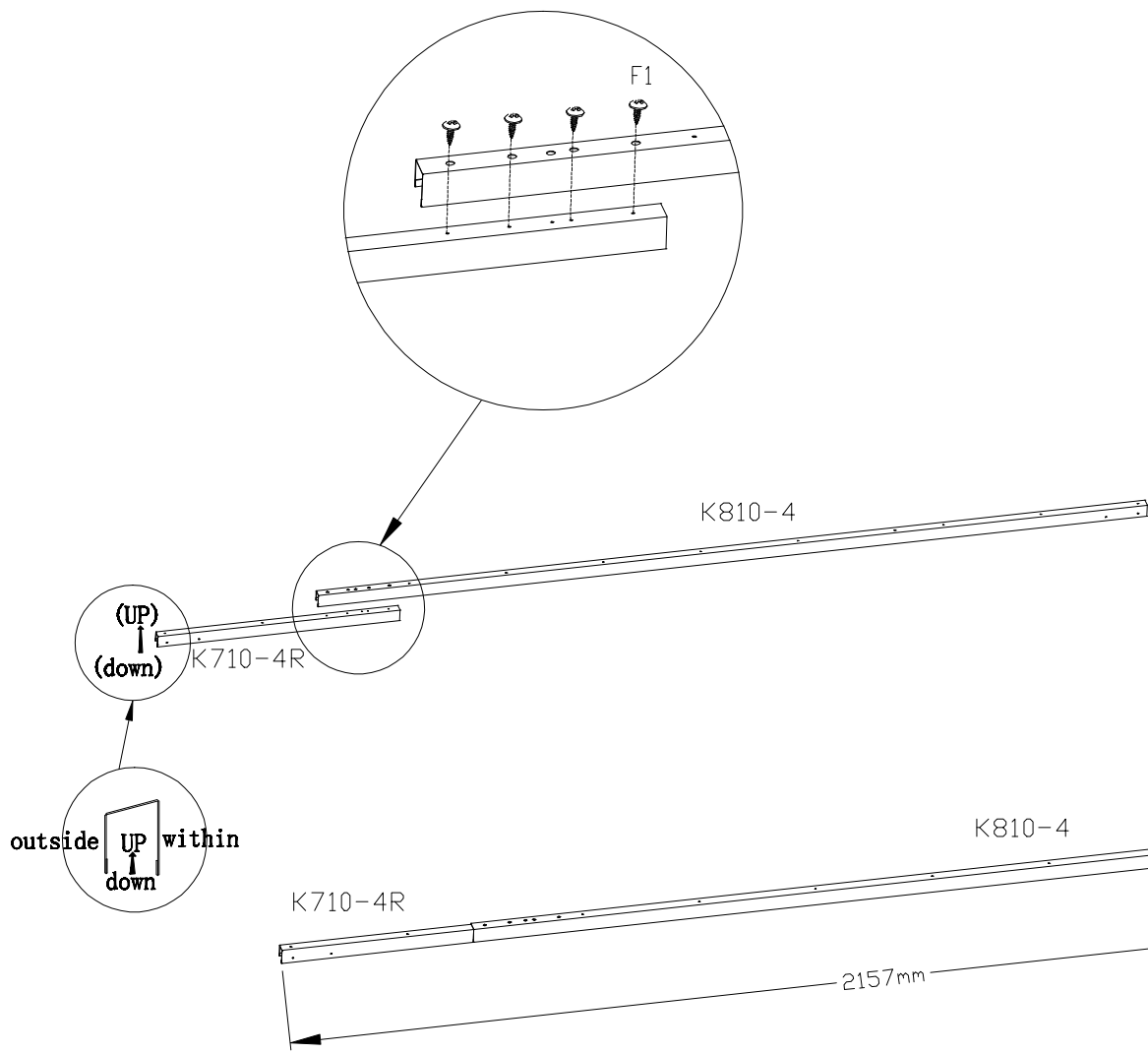
PART	NO.	QTY
	W5-CD	4
	F1	12






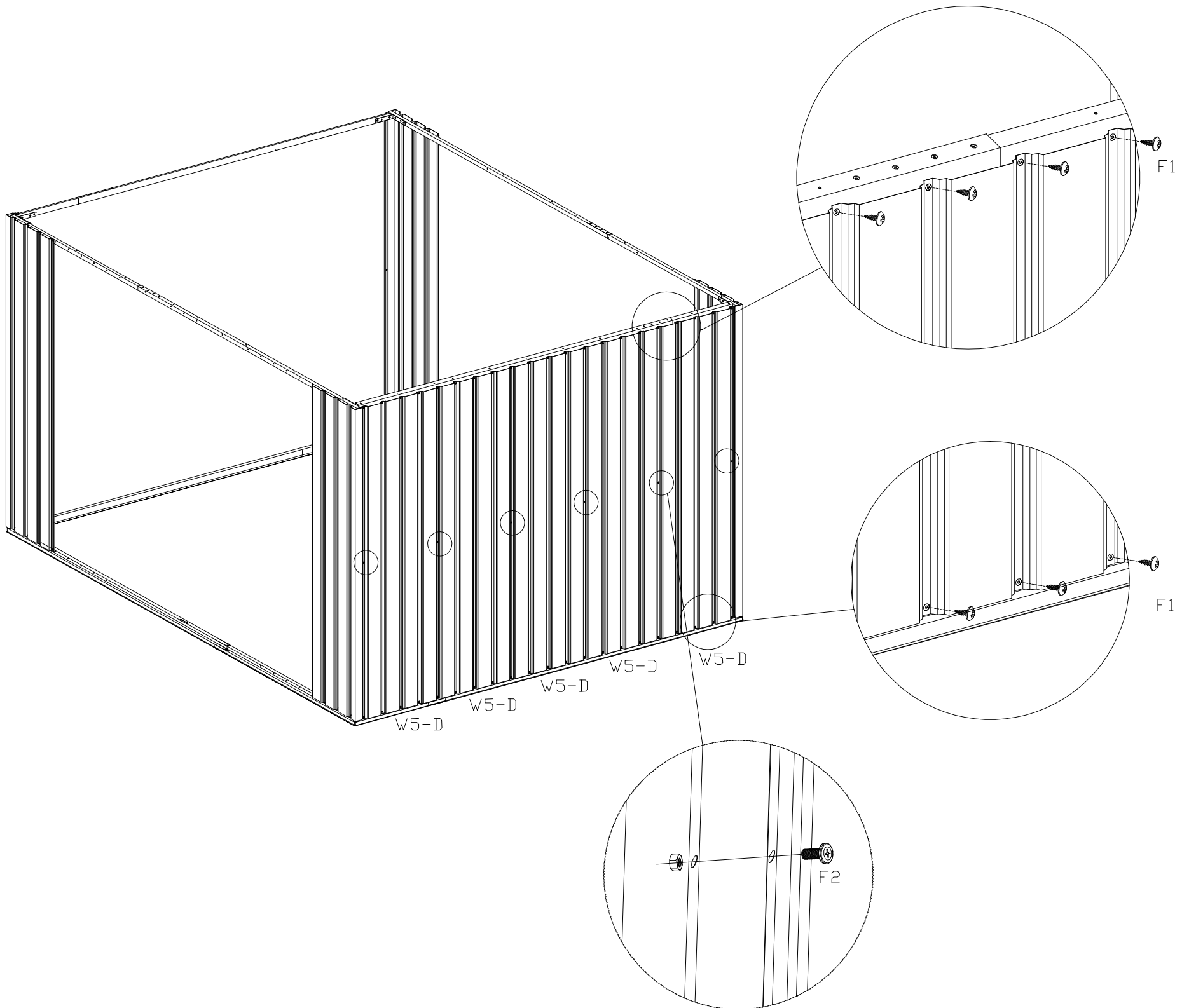
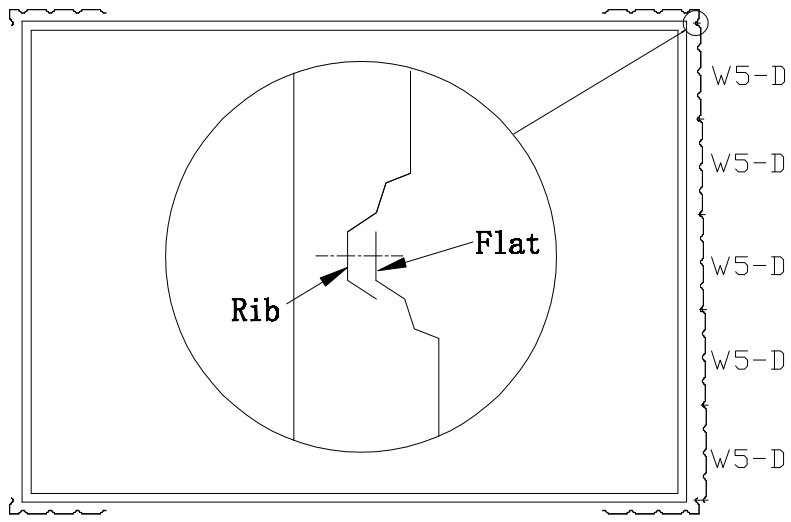
PART	NO.	QTY
	K810-3	2
	K810-3L	2
	F1	28
	C2	4






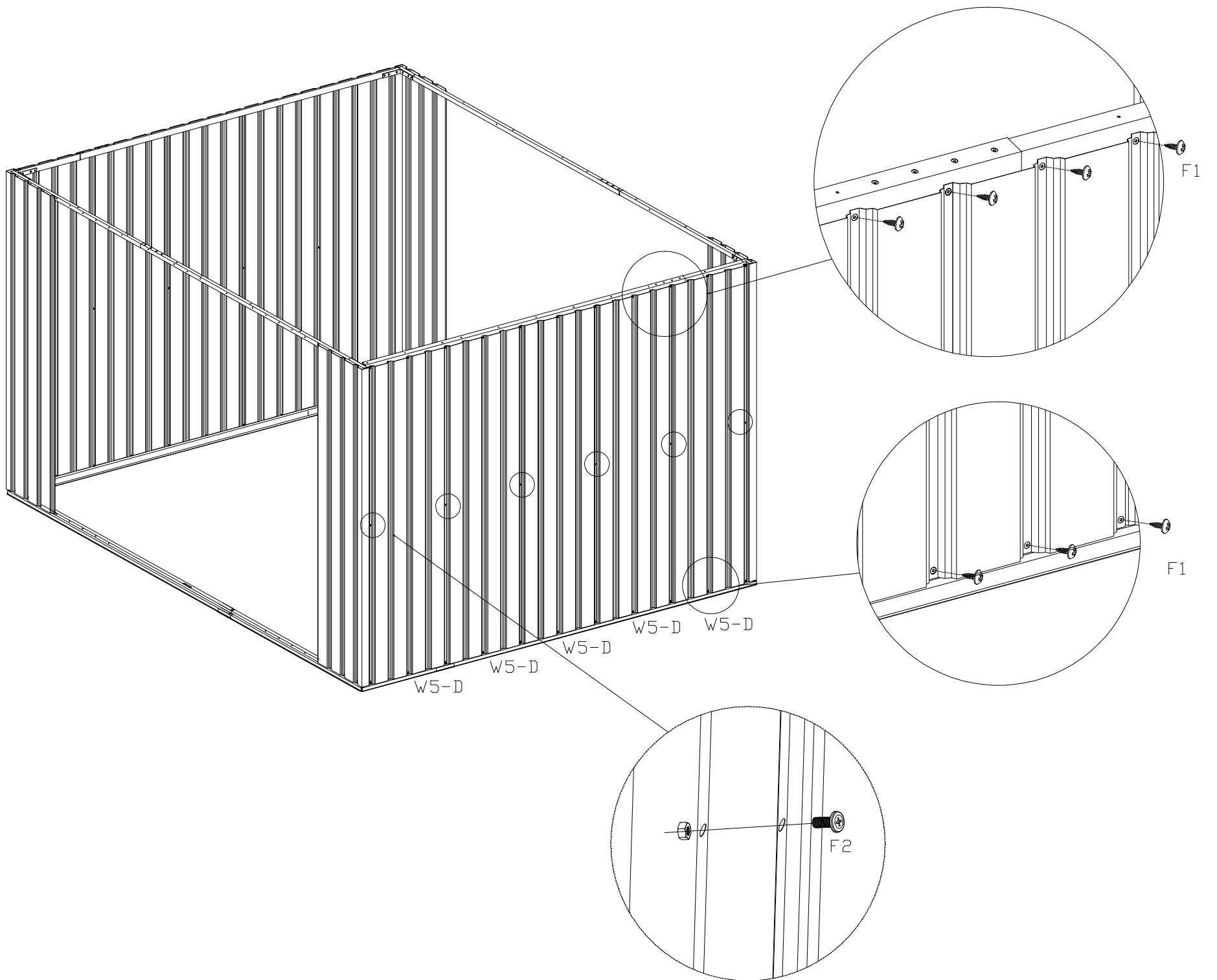
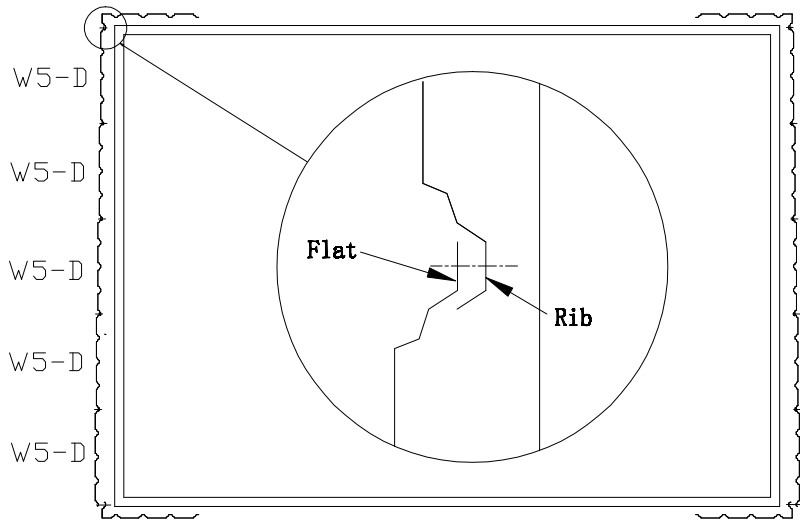
PART	NO.	QTY
	K810-4	2
	K710-4R	2
	F1	16






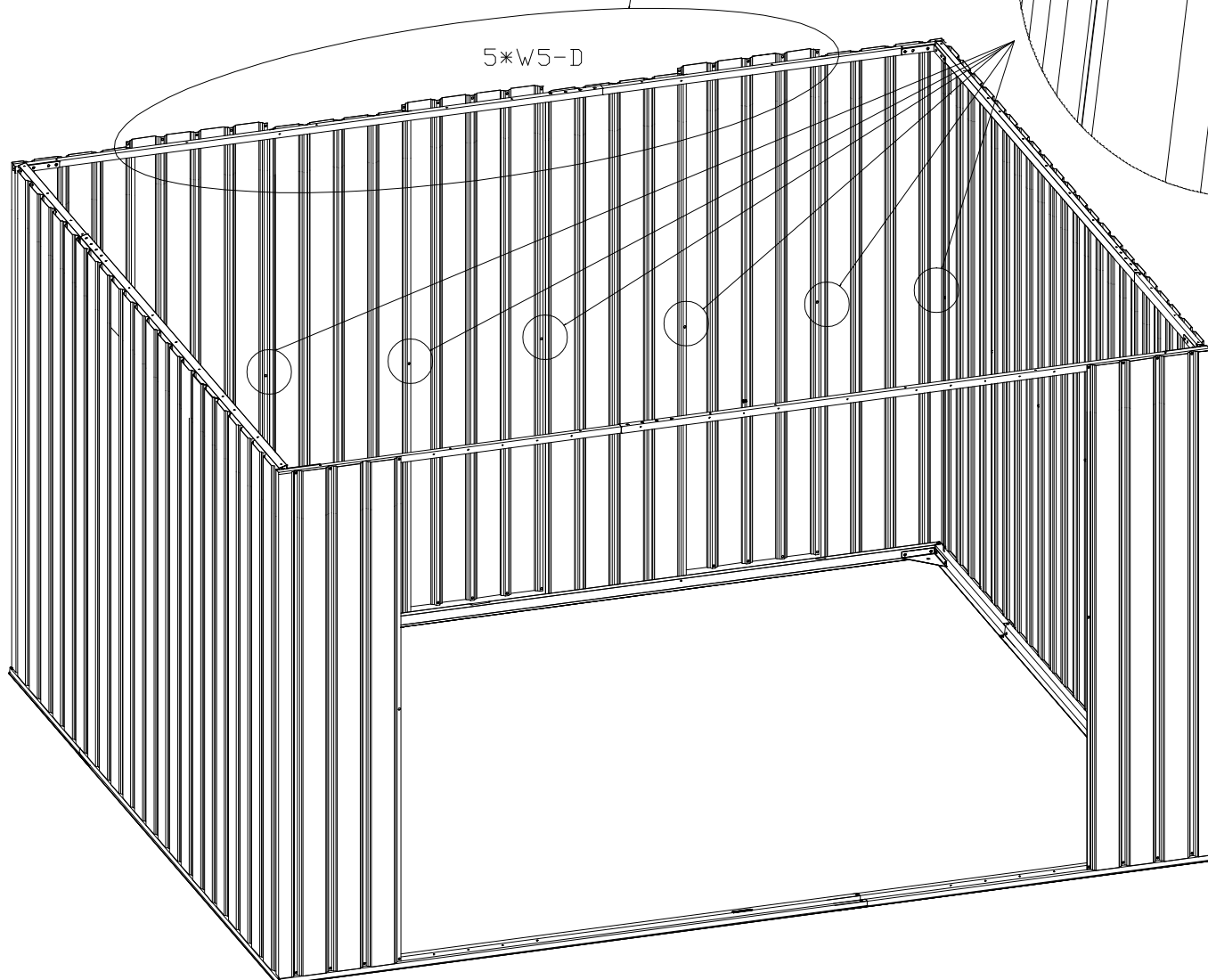
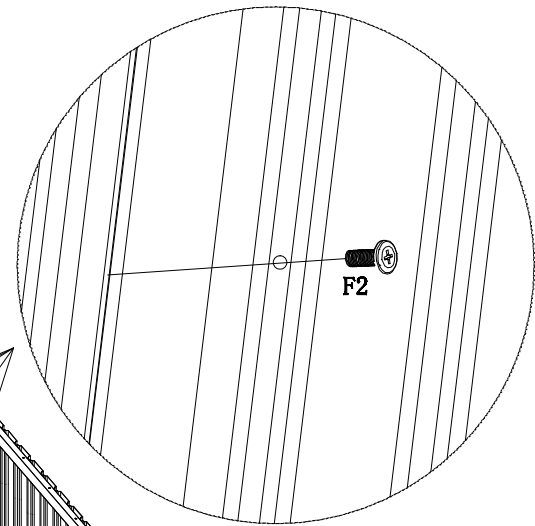
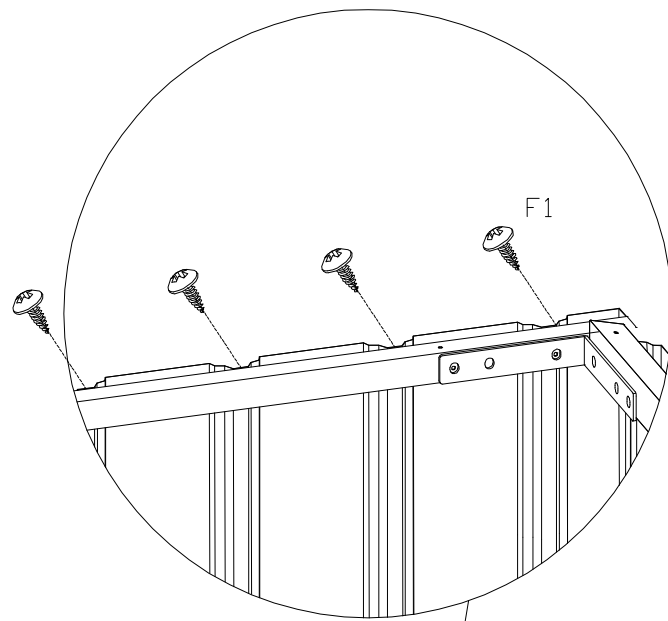
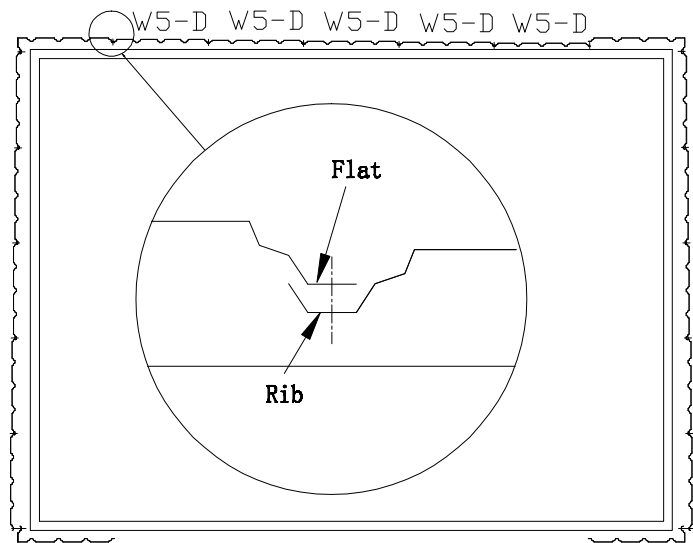
PART	NO.	QTY
	W5-D	5
	F1	42
	F2	6



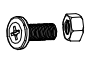


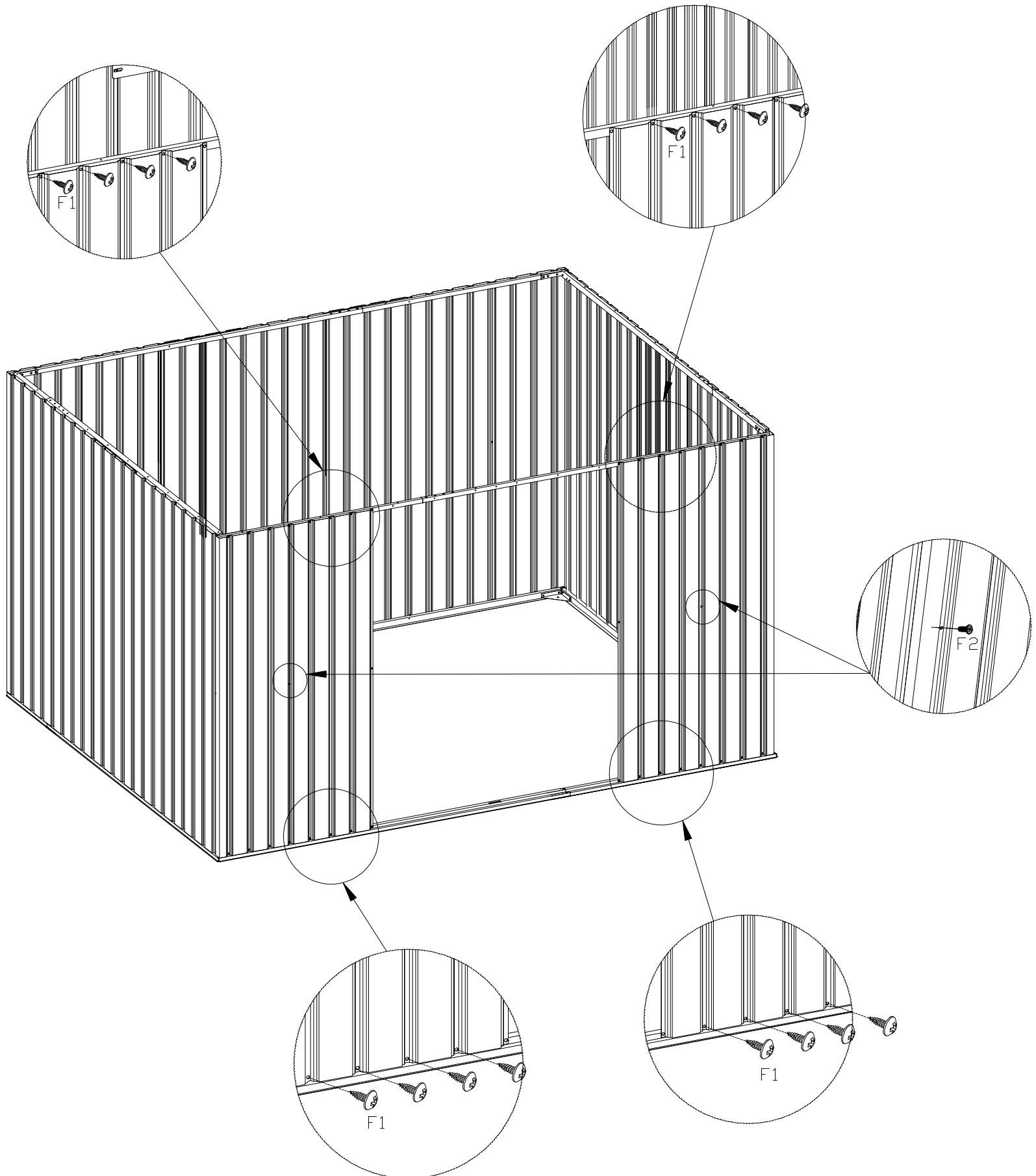
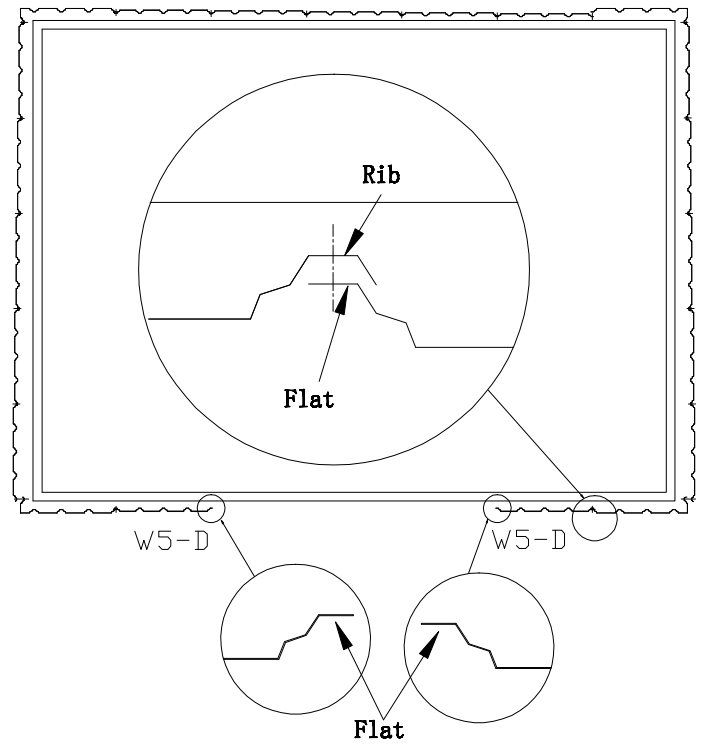
PART	NO.	QTY
	W5-D	5
	F1	42
	F2	6






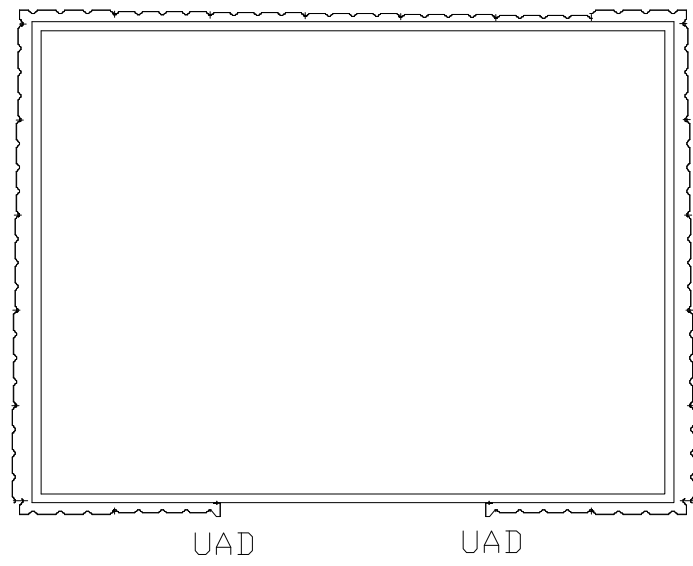
PART	NO.	QTY
	W5-D	5
	F1	42
	F2	6



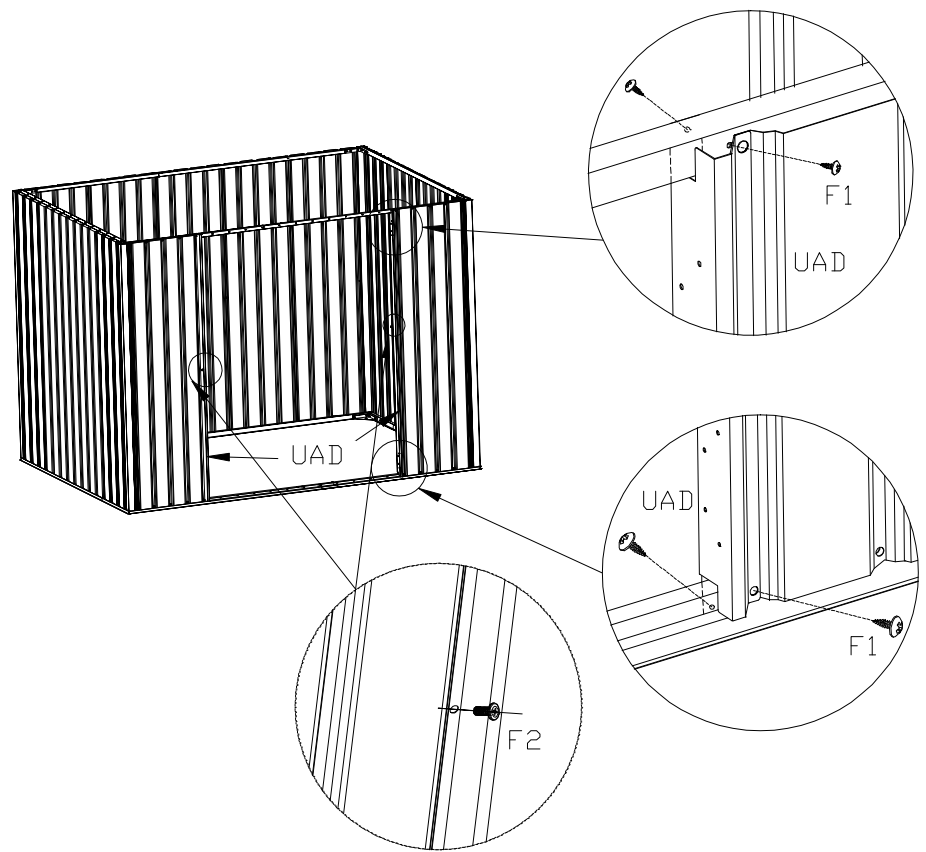
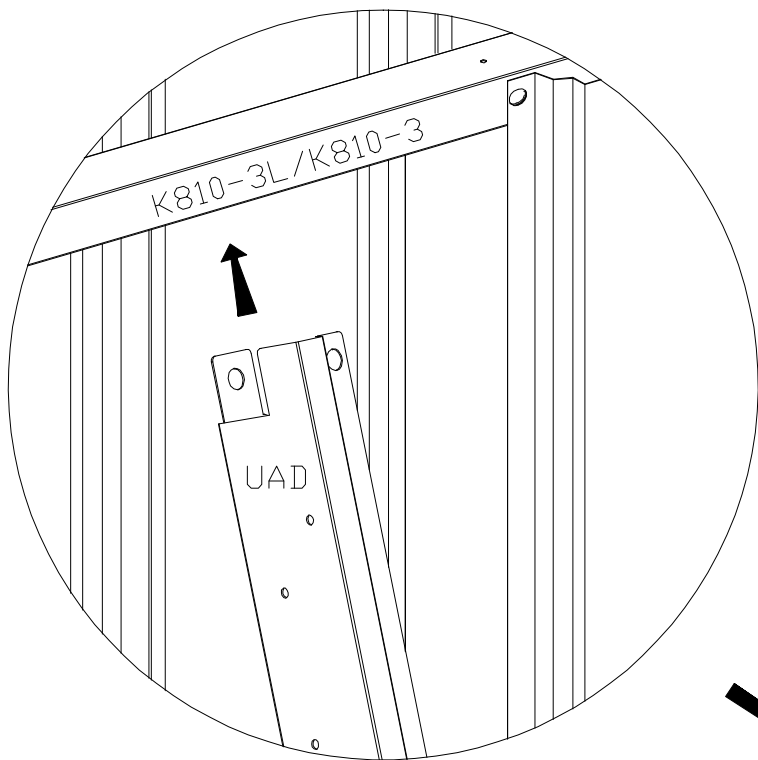
PART	NO.	QTY
	W5-D	2
	F1	16
	F2	2



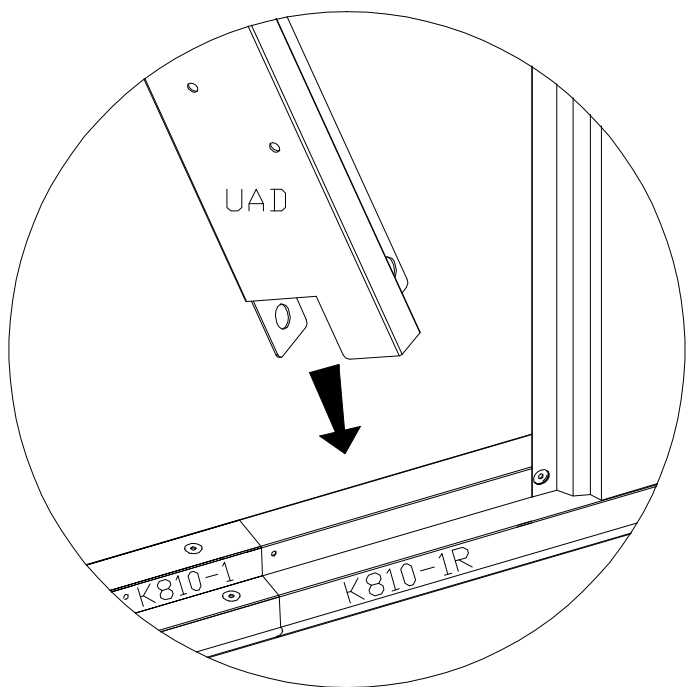
PART	NO.	QTY
	UAD	2
	F1	8
	F2	2



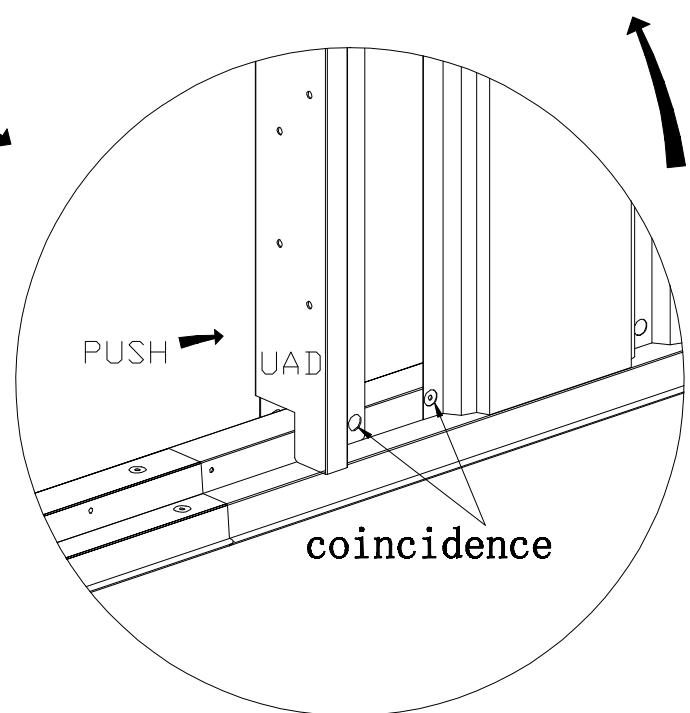
① UAD notch is inserted into K810-3L/K810-3.



④ F1 screw fixation

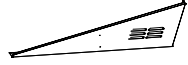
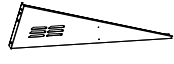



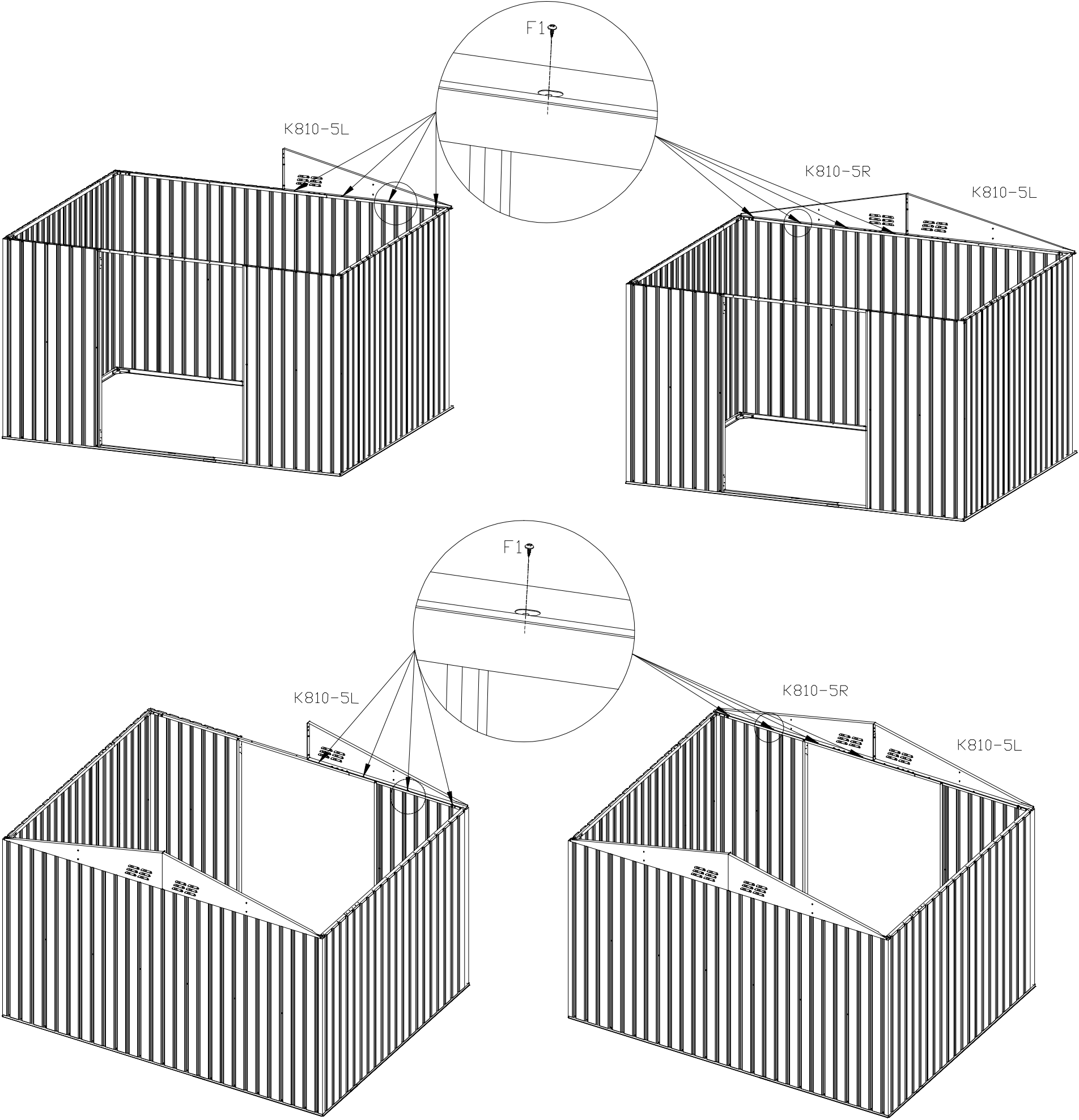
② UAD notch is inserted into K810-1/K810-1R.

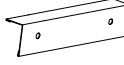
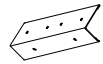




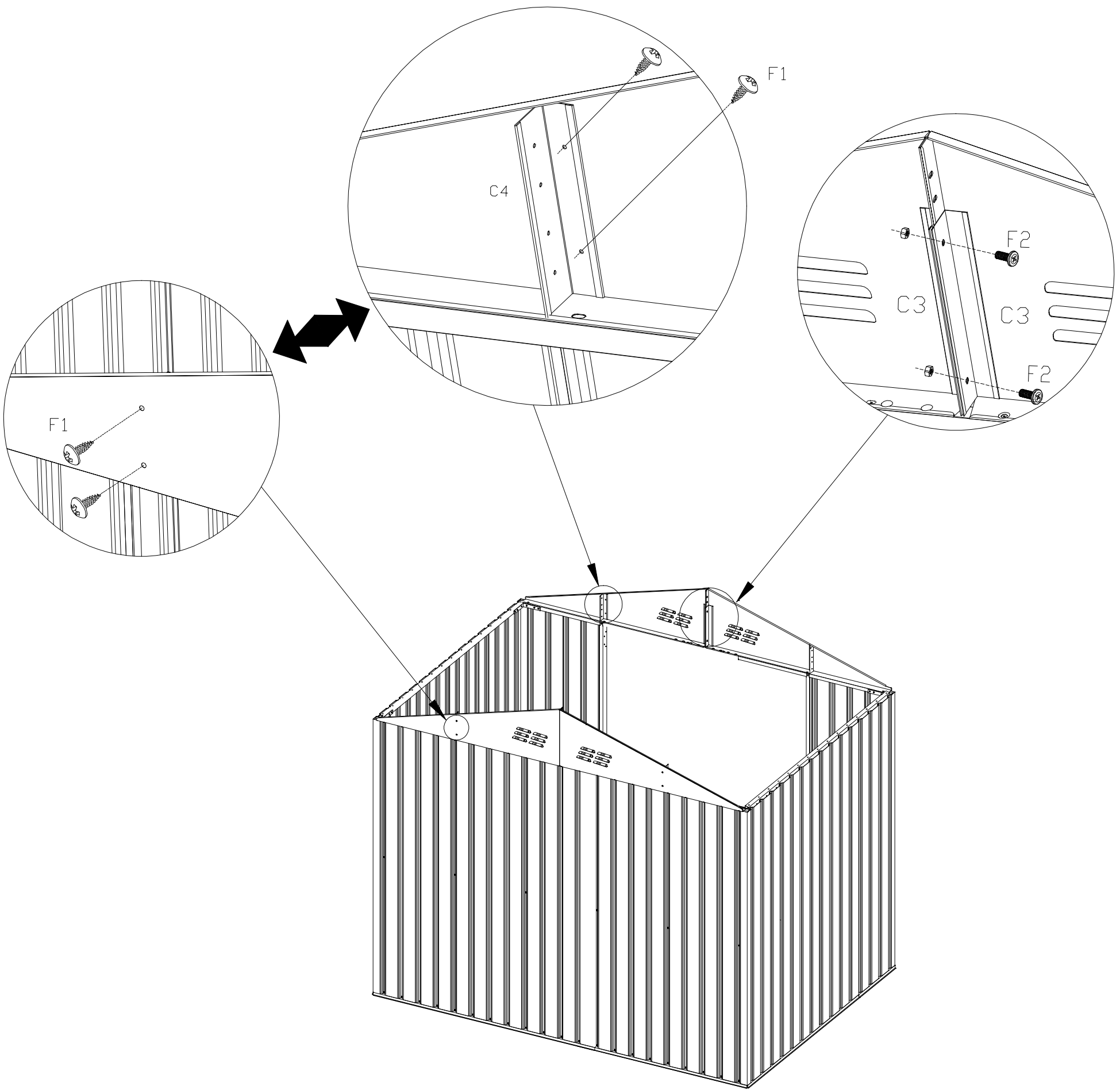
③ Push UAD and W5-D screw holes to coincide.


Assemble the ventilation board screws in the order shown in the diagram,
Install the middle hole first to avoid misalignment.

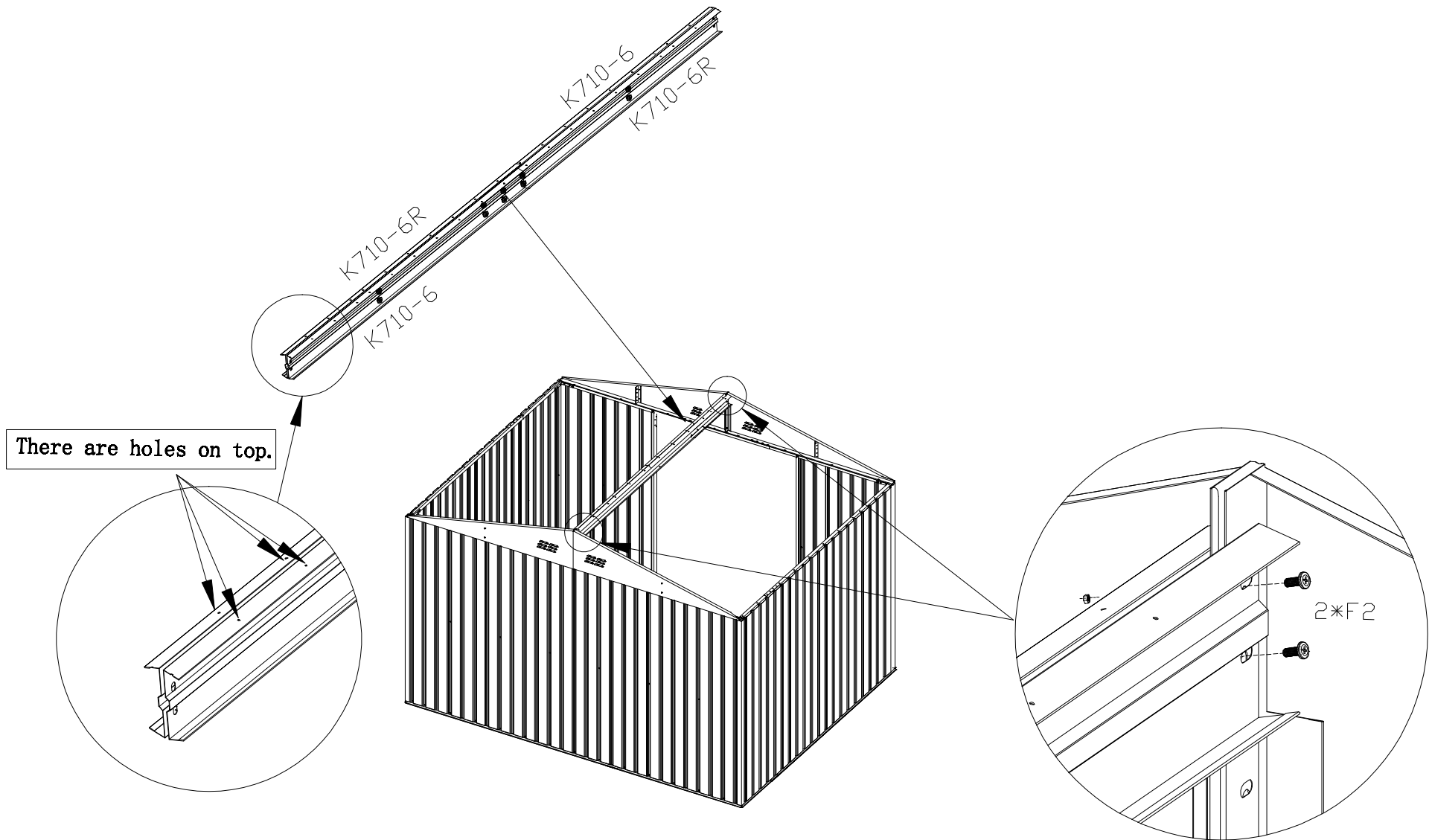
PART	NO.	QTY
	K810-5L	2
	K810-5R	2
	F1	16







PART	NO.	QTY.
	C3	4
	C4	4
	F2	4
	F1	8

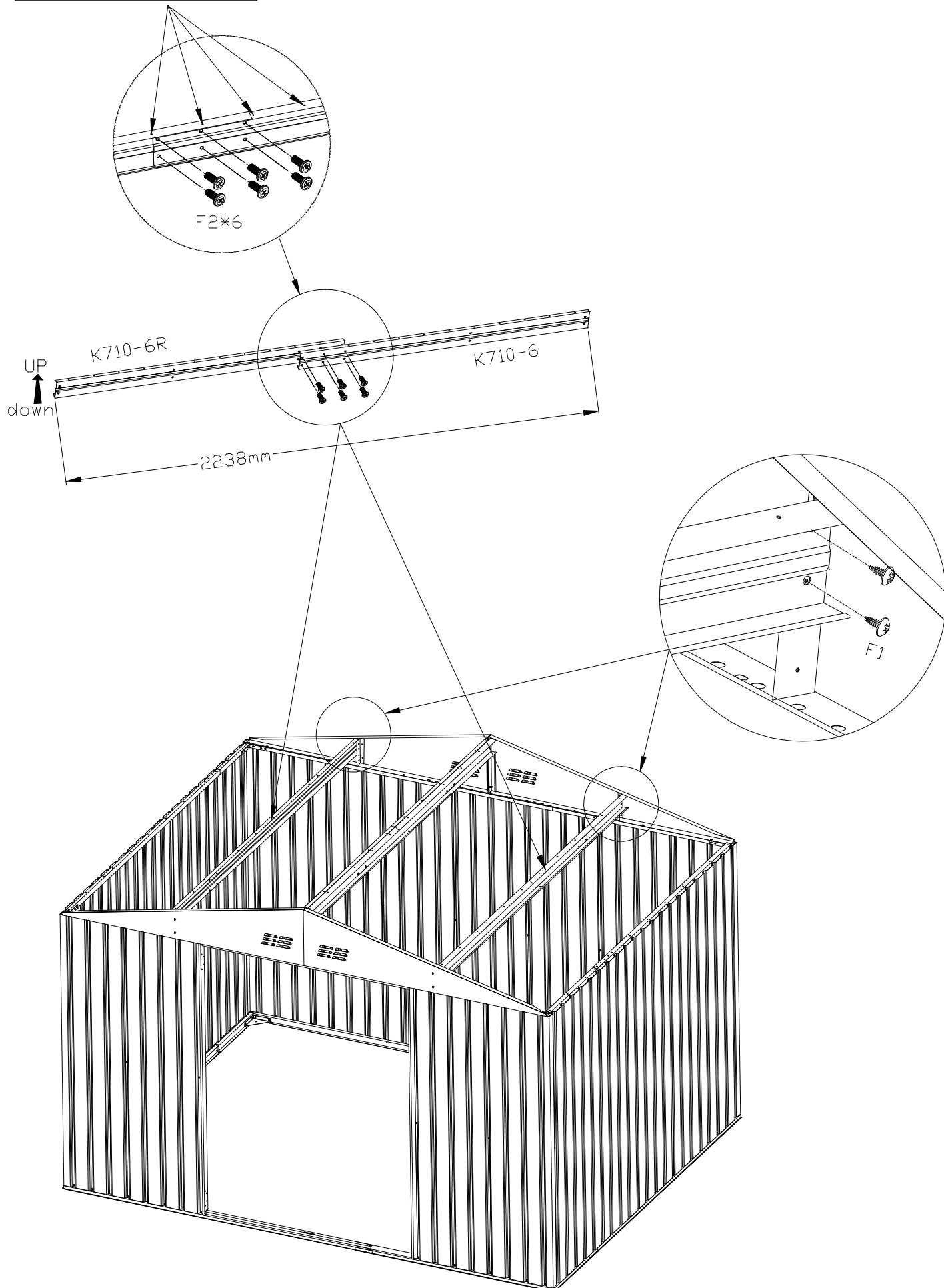


PART	NO.	QTY
	F2	4

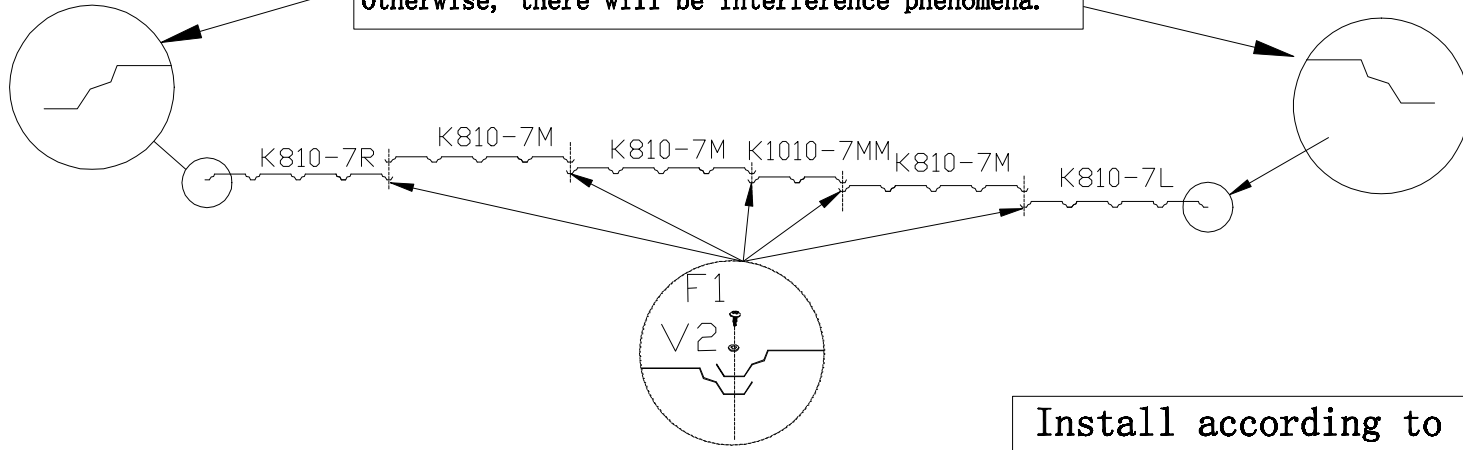


PART	NO.	QTY.
	K710-6	2
	K710-6R	2
	F2	12
	F1	8

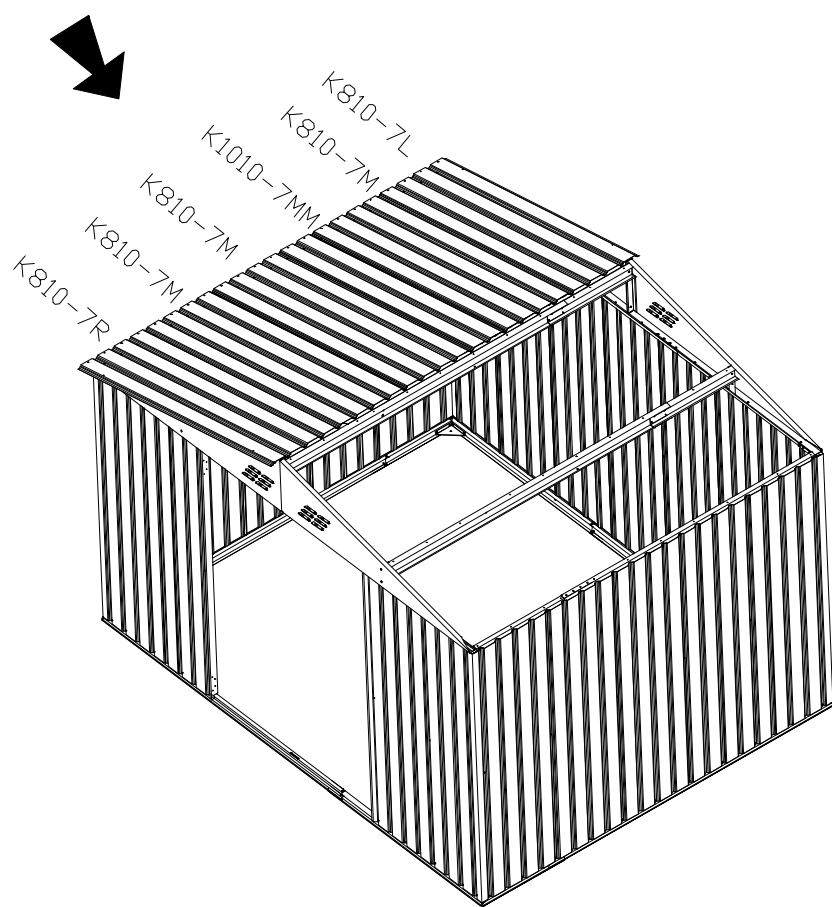
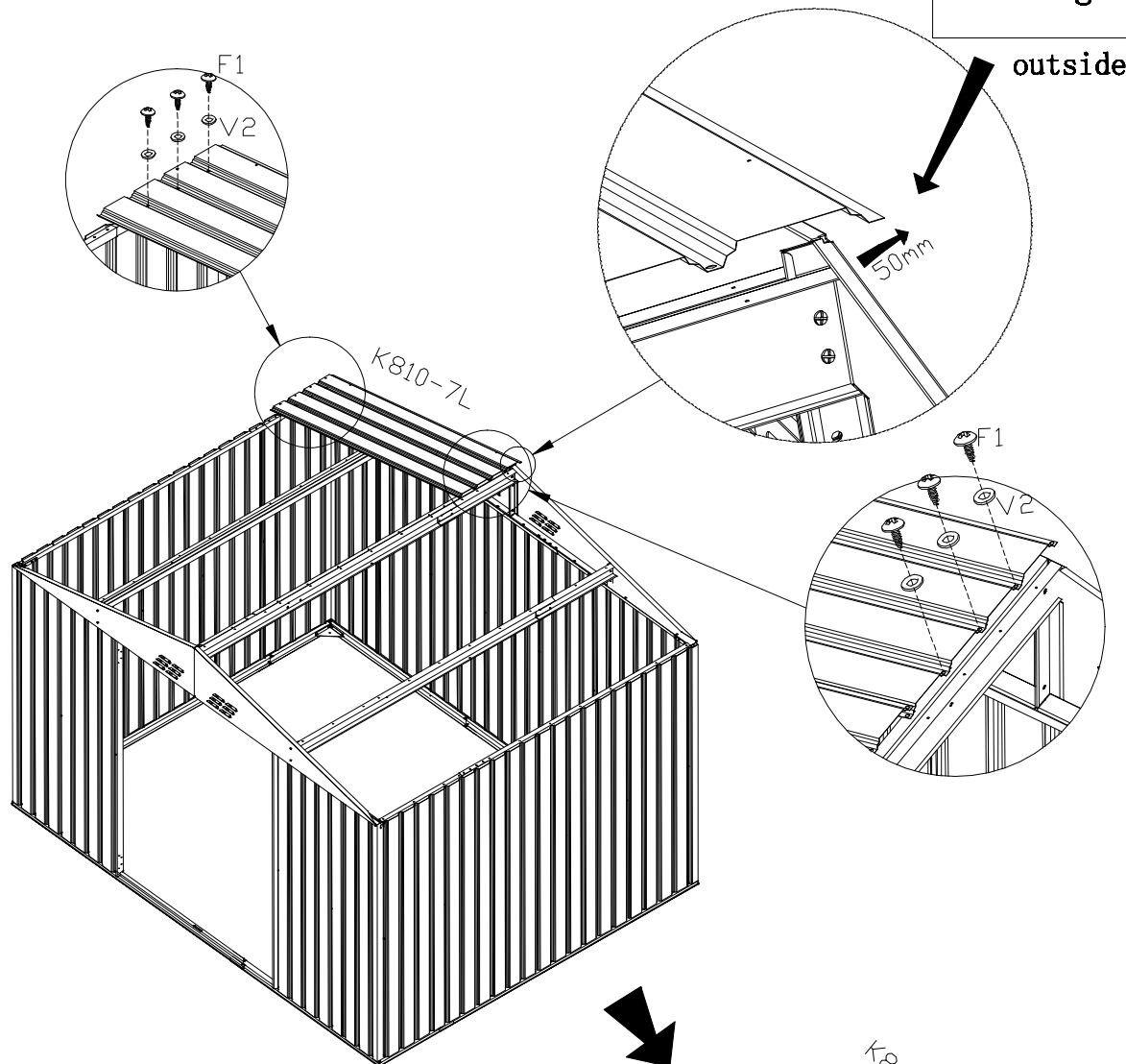
There are holes on top.



This is the installation of flat edges and K810-8,
Otherwise, there will be interference phenomena.

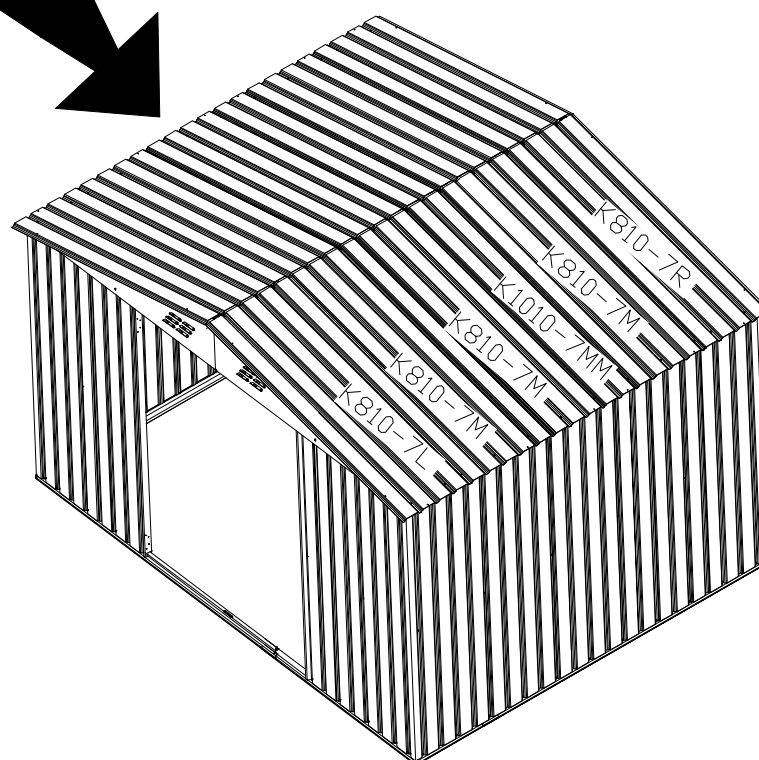
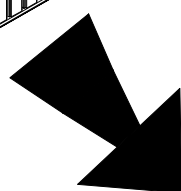
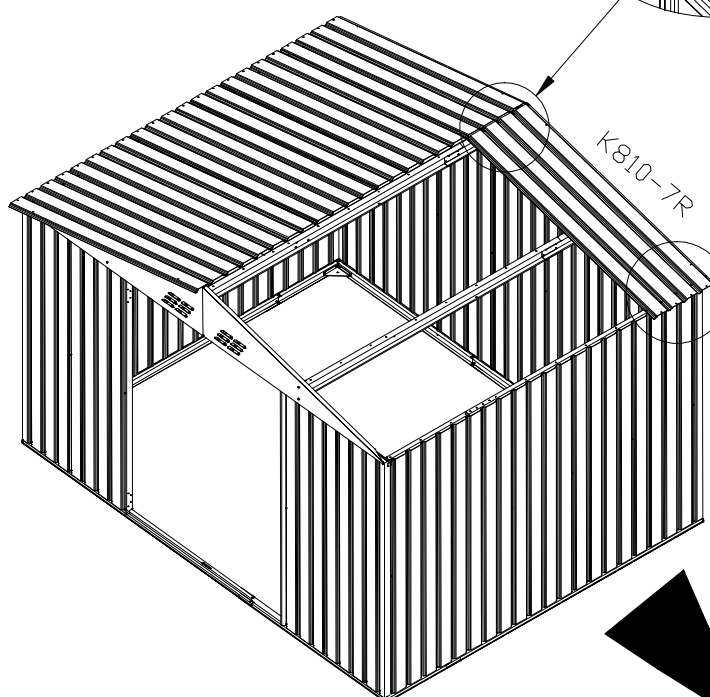
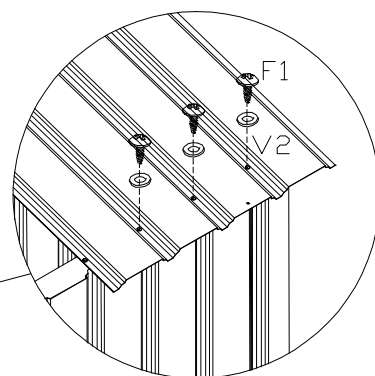
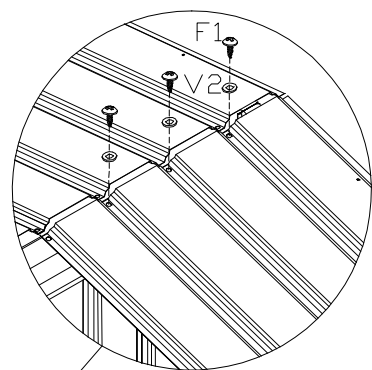
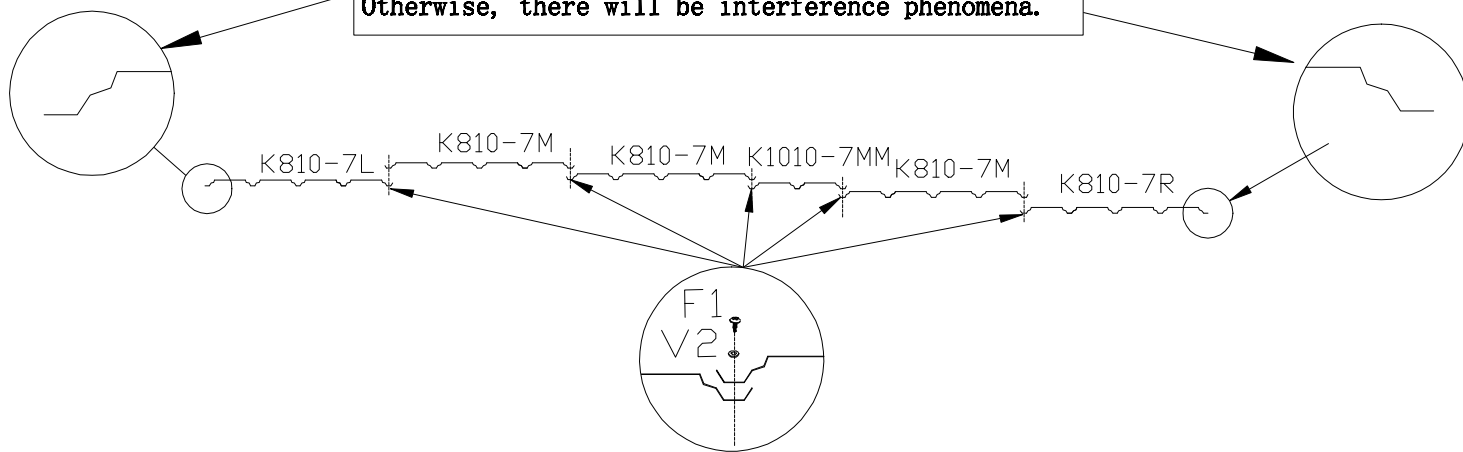


Install according to the diagram:
The edge extends outward by about 50mm.

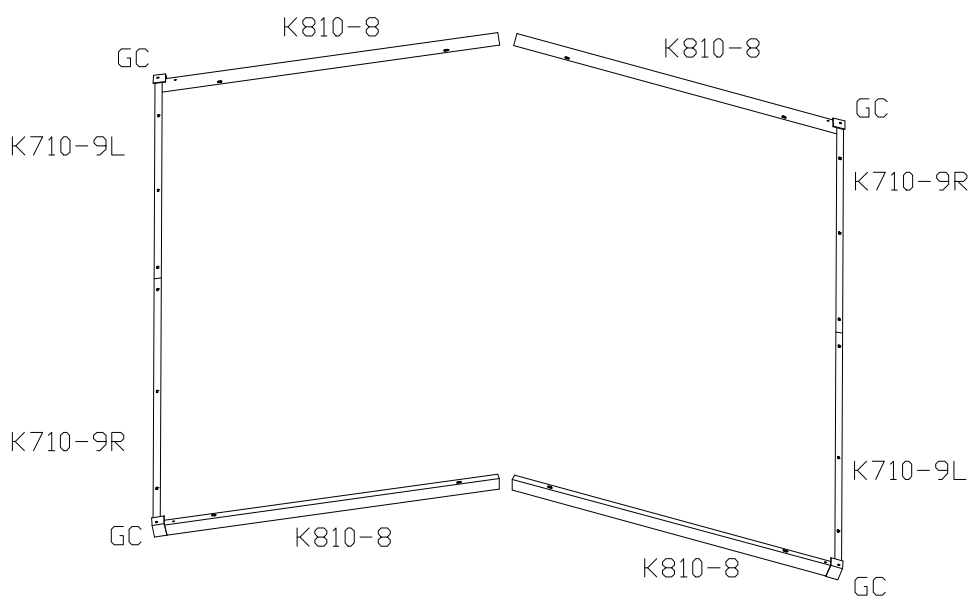








PART	NO.	QTY.
	K810-7L	1
	K810-7M	3
	K1010-7MM	1
	K810-7R	1
	F1	42
	V2	42

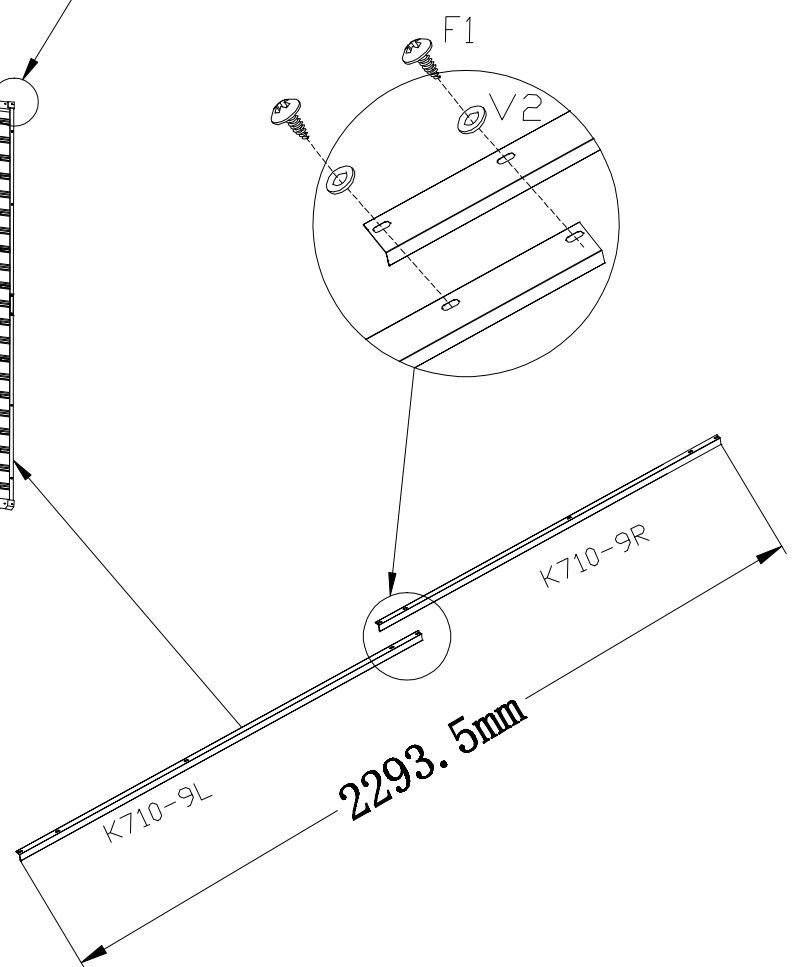
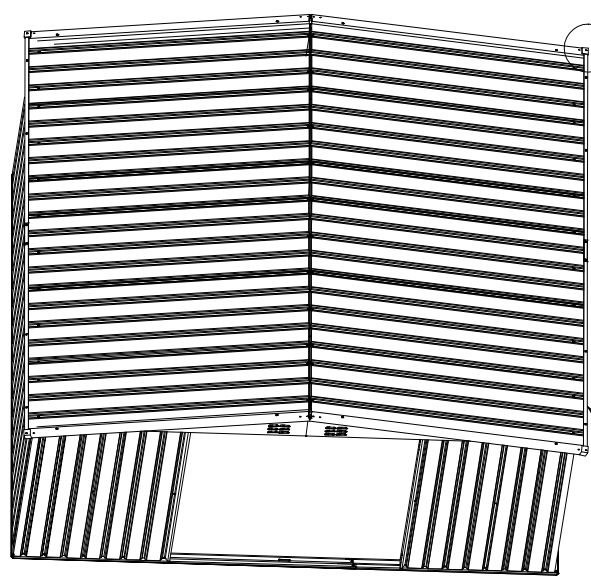
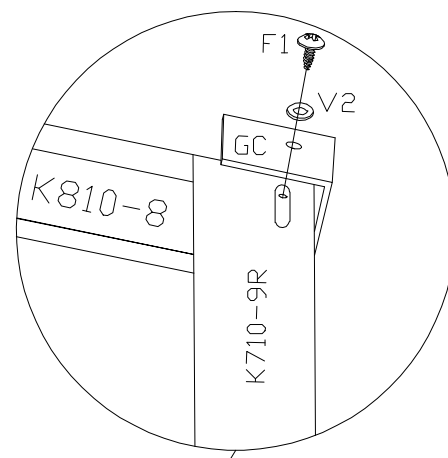
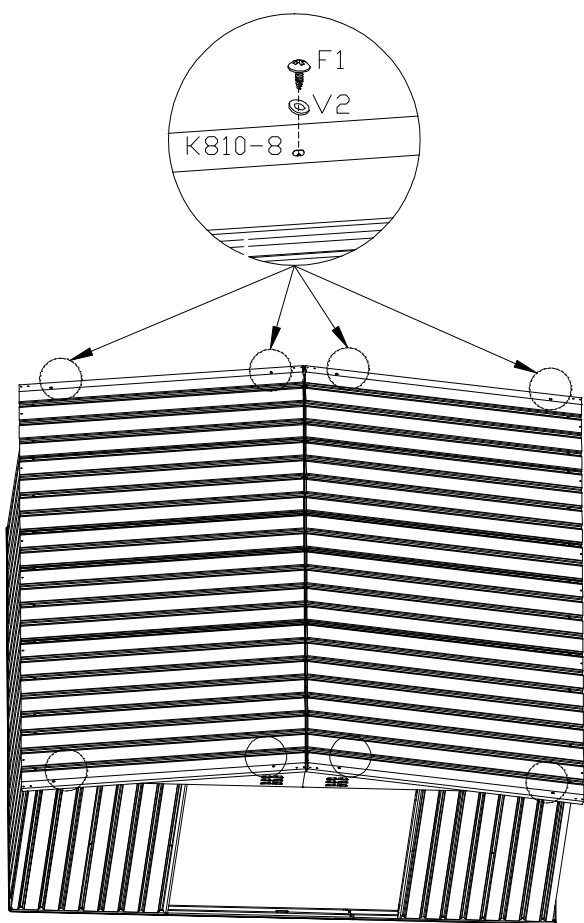
This is the installation of flat edges and K810-8,
 Otherwise, there will be interference phenomena.







PART	NO.	QTY.
	K810-7L	1
	K810-7M	3
	K1010-7MM	1
	K810-7R	1
	F1	42
	V2	42

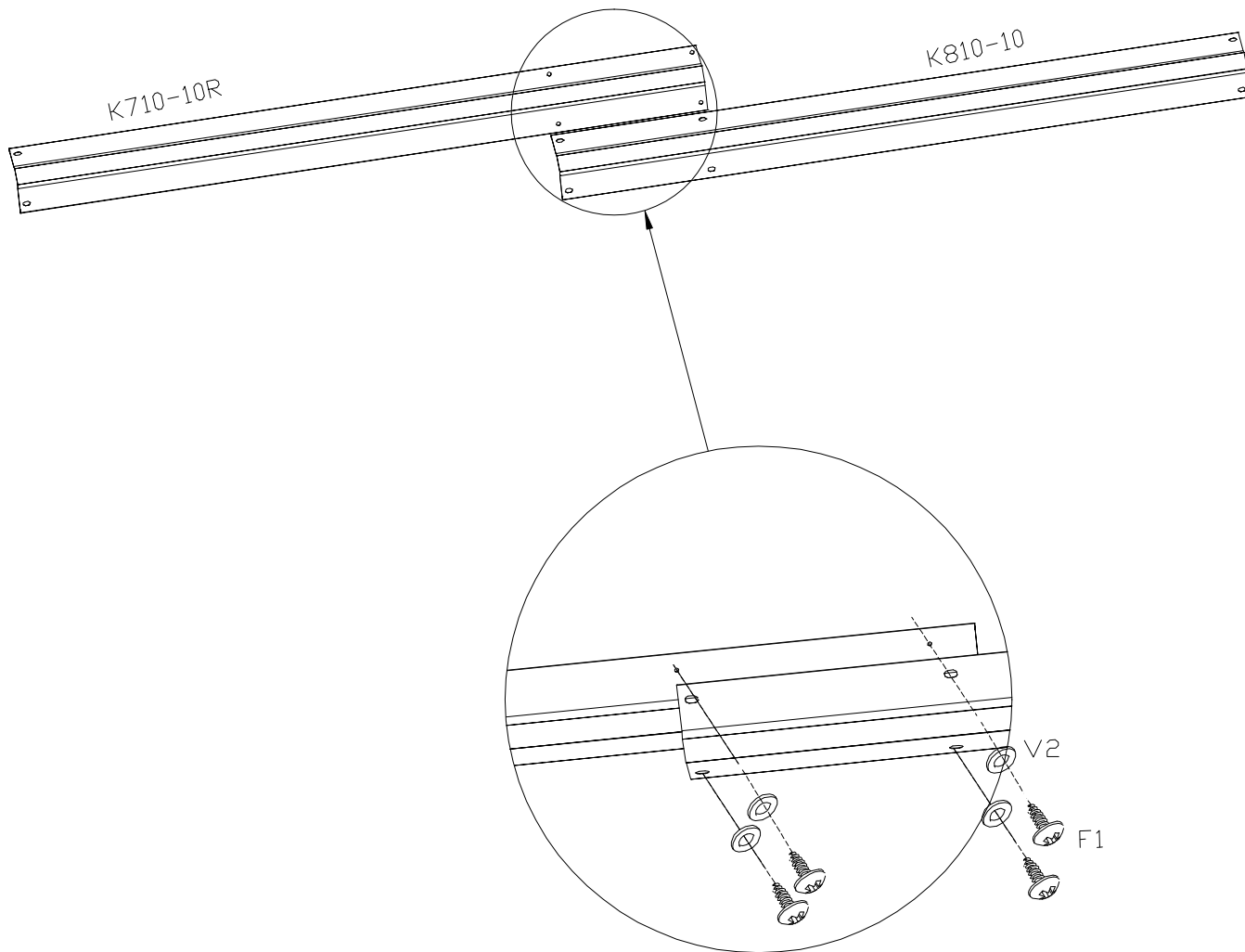
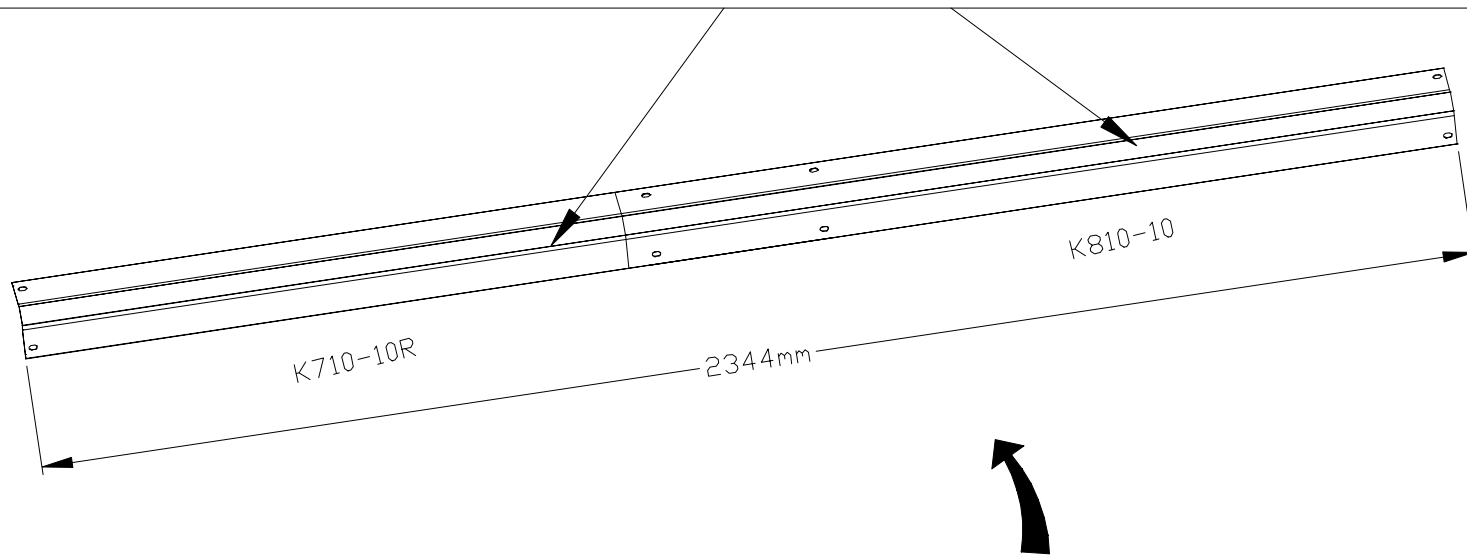


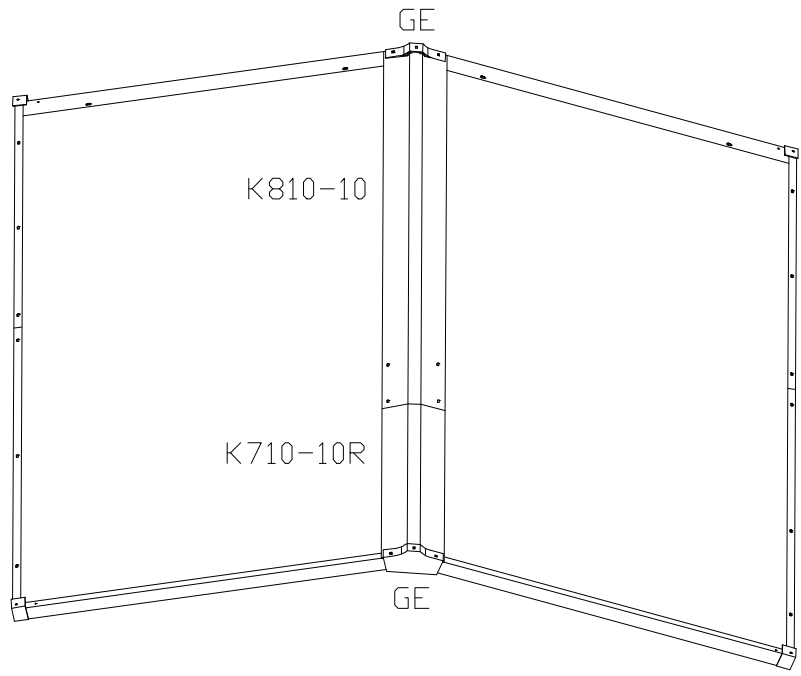
PART	NO.	QTY.
	K810-8	4
	K710-9L	2
	K710-9R	2
	GC	4
	F1	24
	V2	24

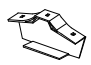
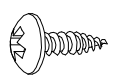



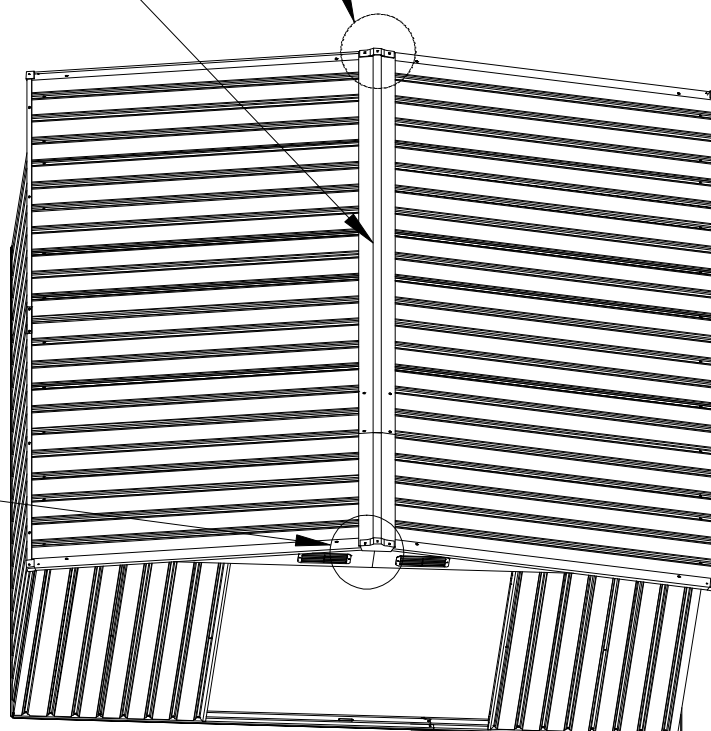
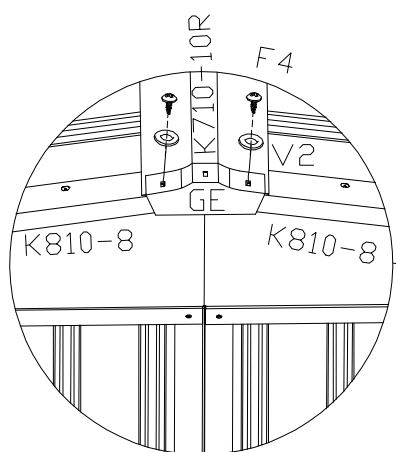
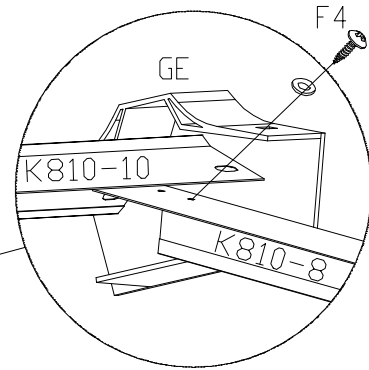
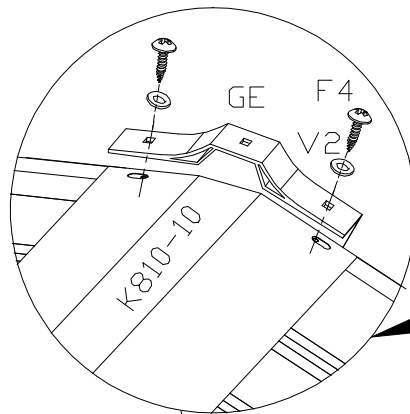
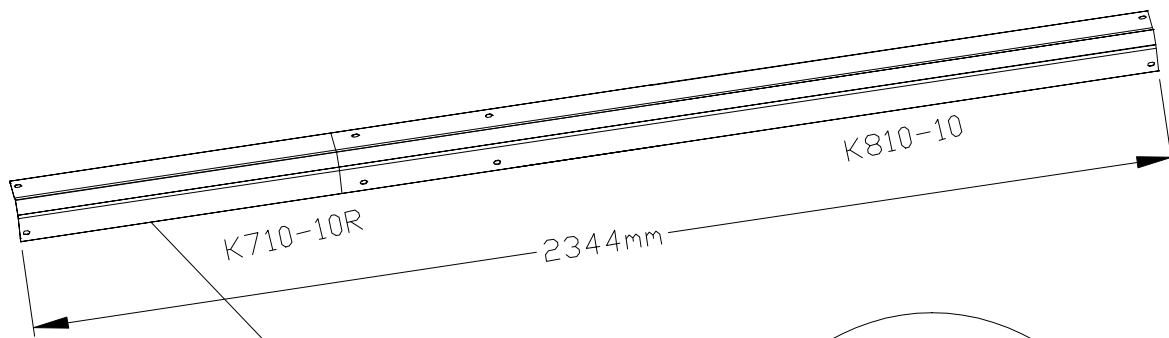
PART	NO.	QTY.
	K710-10R	1
	K810-10	1
	F1	4
	V2	4

According to the diagram, the two components of the roof rain shield should be connected with F1 self tapping screws before proceeding with subsequent installation.

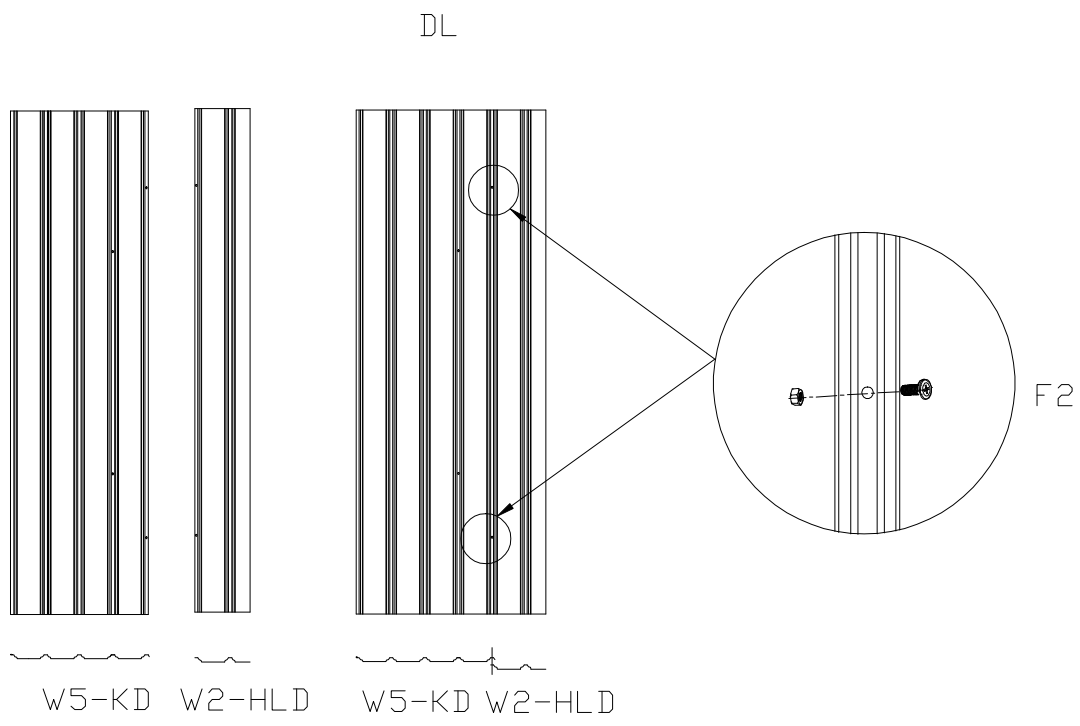








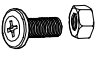


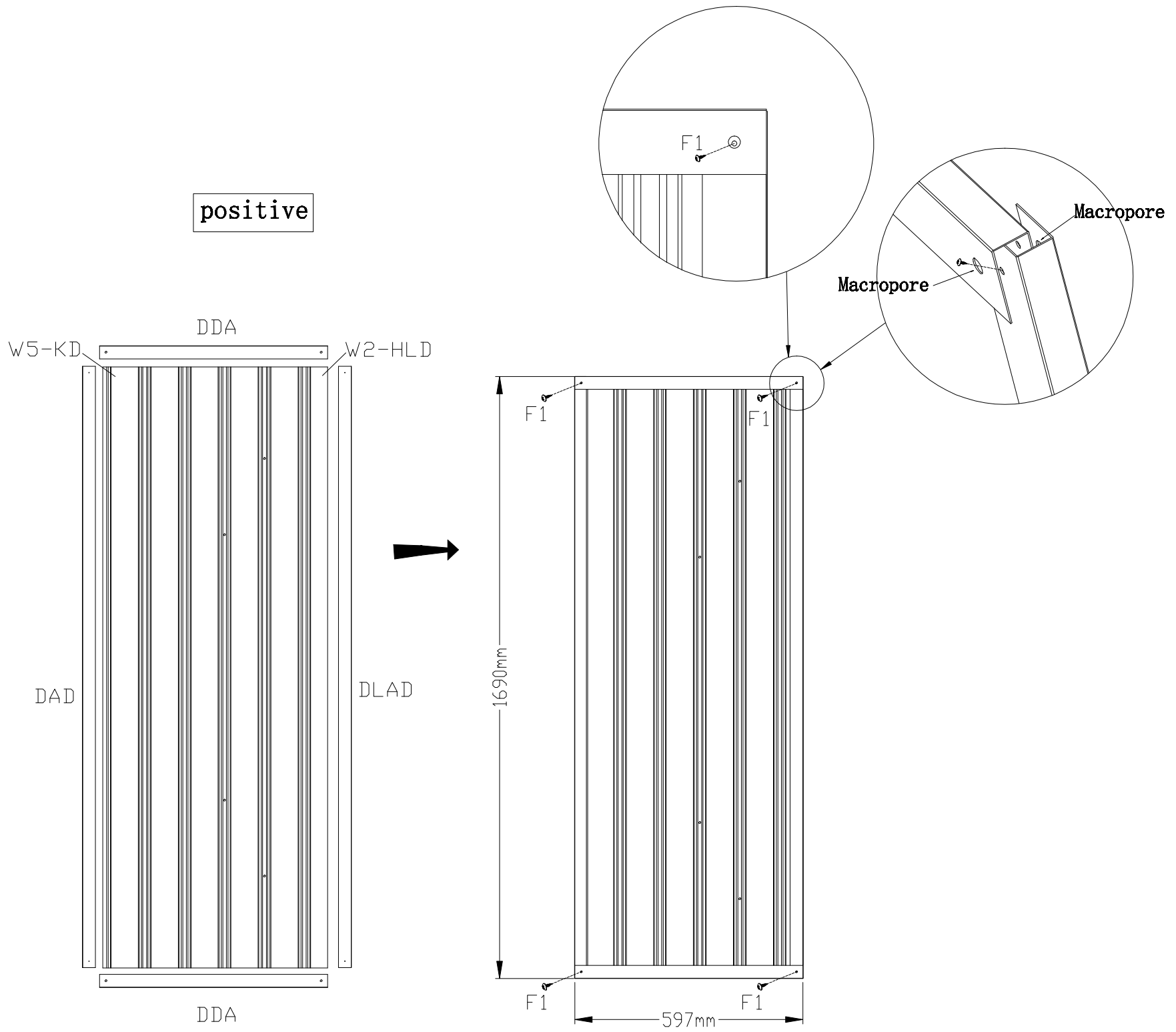
PART	NO.	QTY
	GE	2
	F4	4
	V2	4






Left door panel splicing

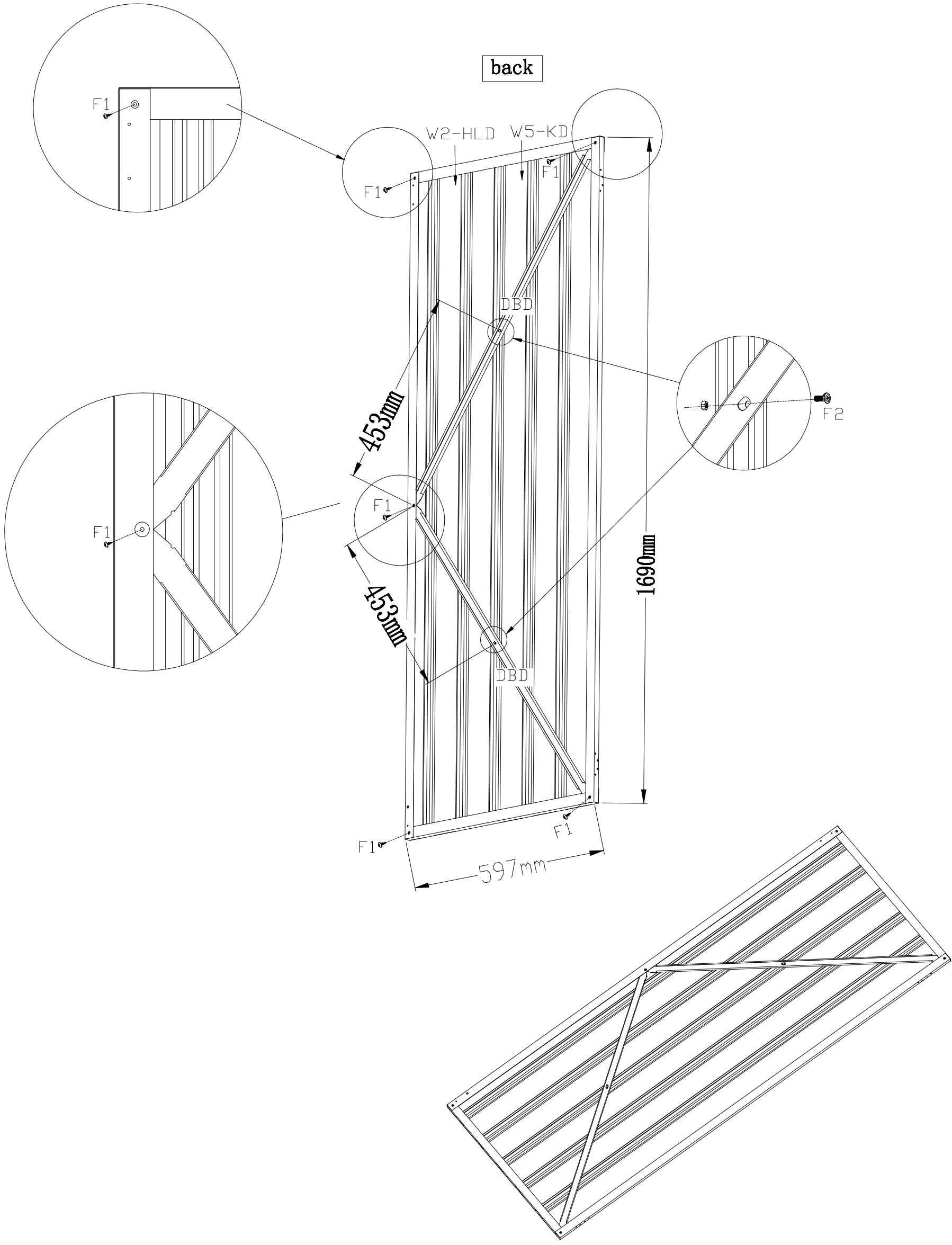


PART	NO.	QTY.
	W5-KD	1
	W2-HLD	1
	DAD	1
	DLAD	1
	DDA	2
	F1	4
	F2	2

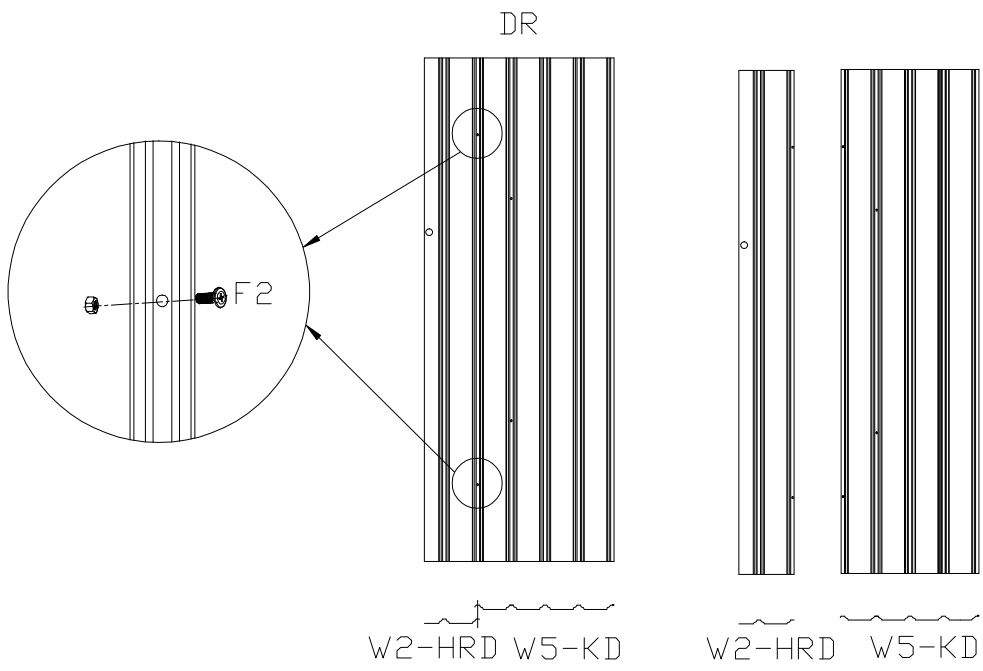


Left door panel splicing

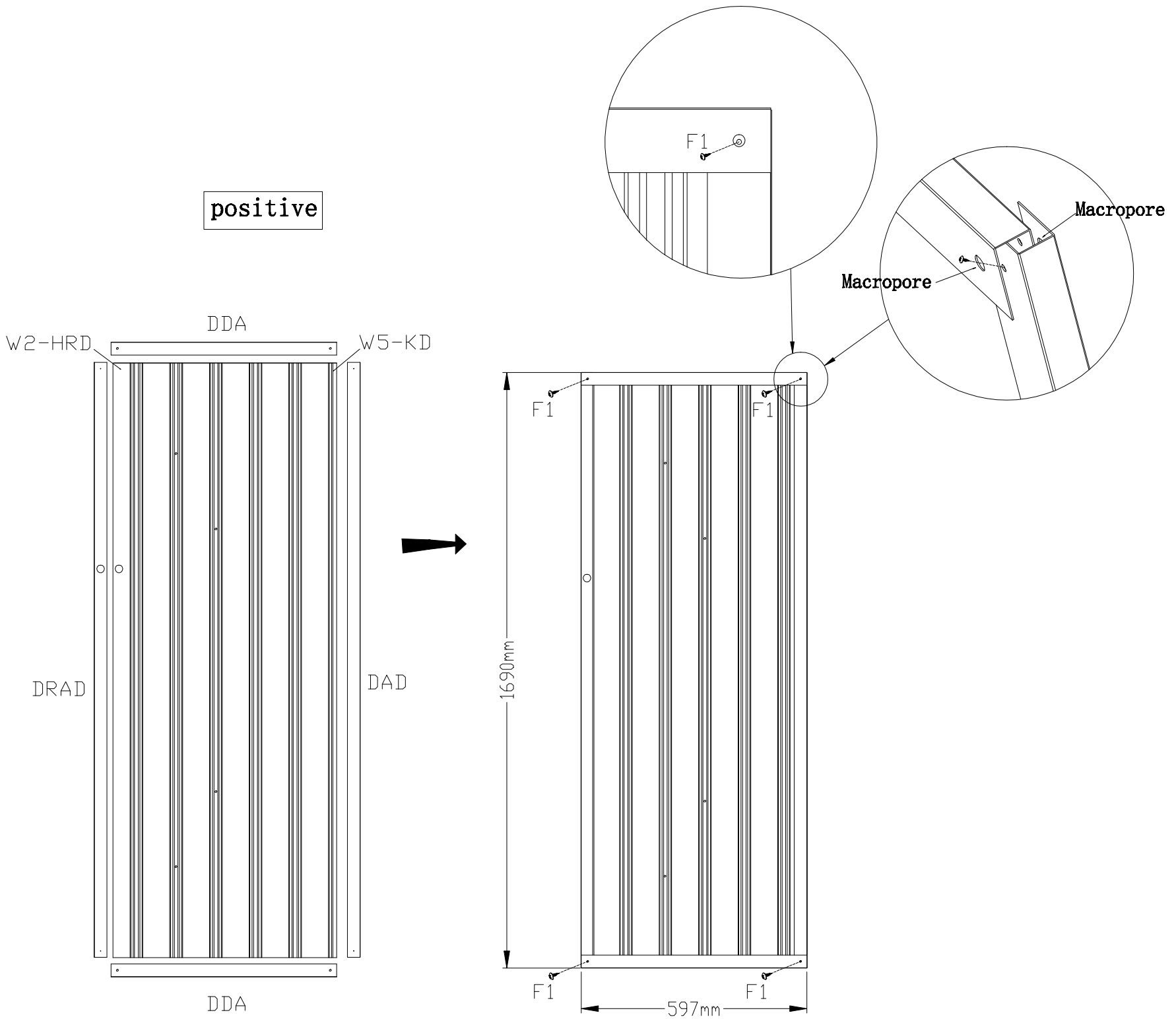
PART	NO.	QTY.
	DBD	2
	F1	5
	F2	2



Right door panel splicing

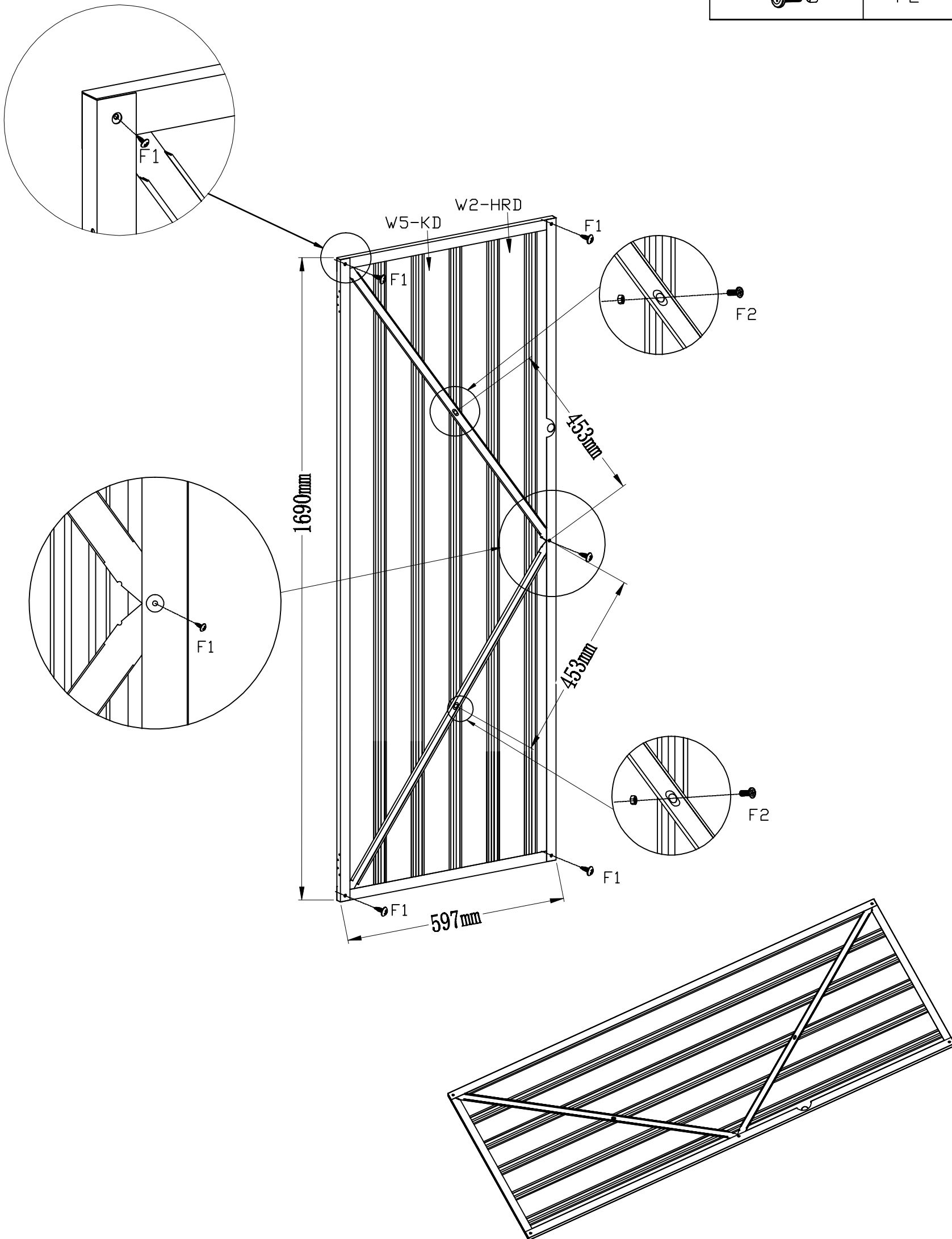


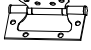
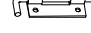

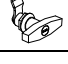

PART	NO.	QTY.
	W5-KD	1
	W2-HRD	1
	DAD	1
	DRAD	1
	DDA	2
	F1	4
	F2	2

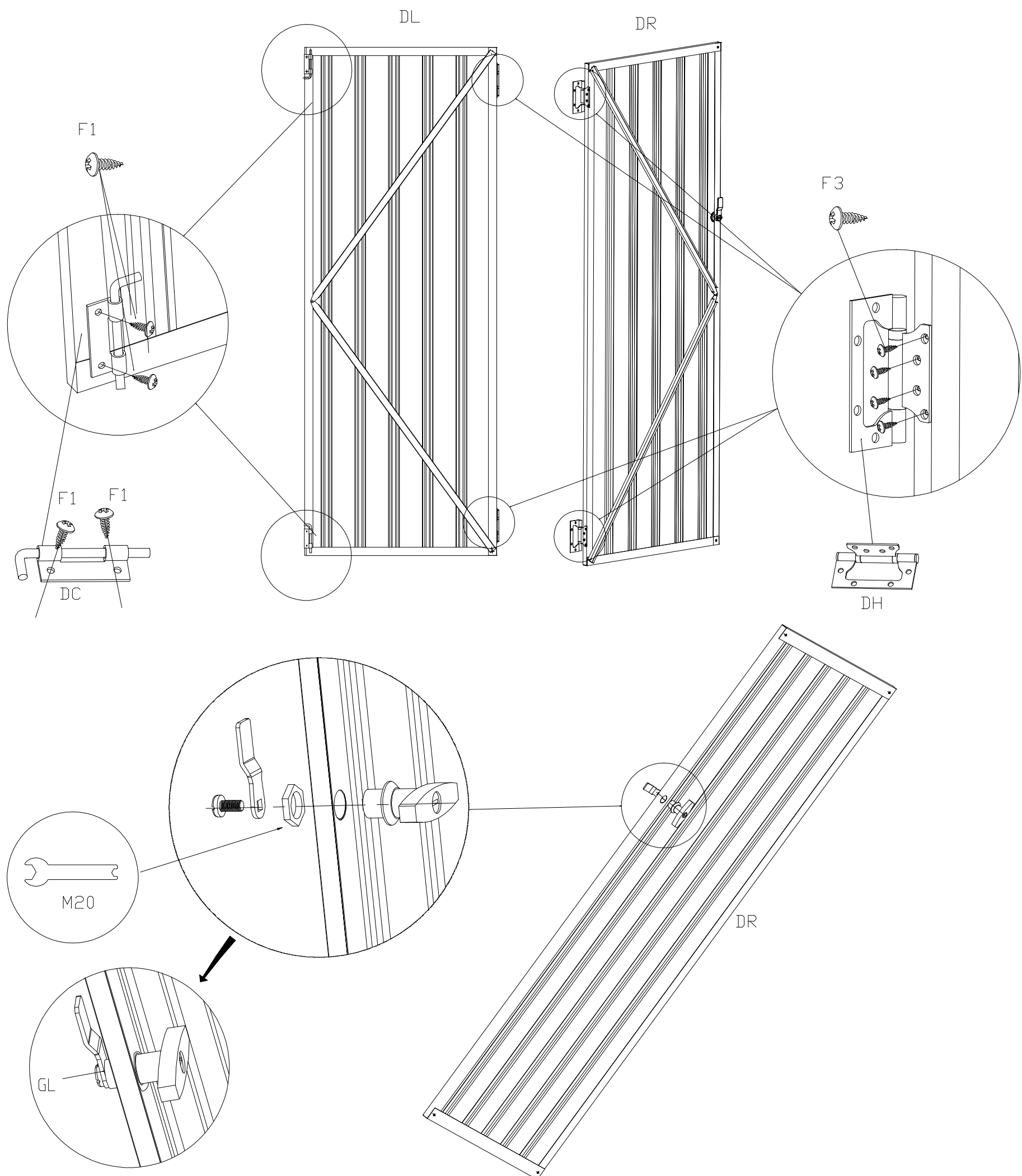




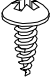
Right door panel splicing

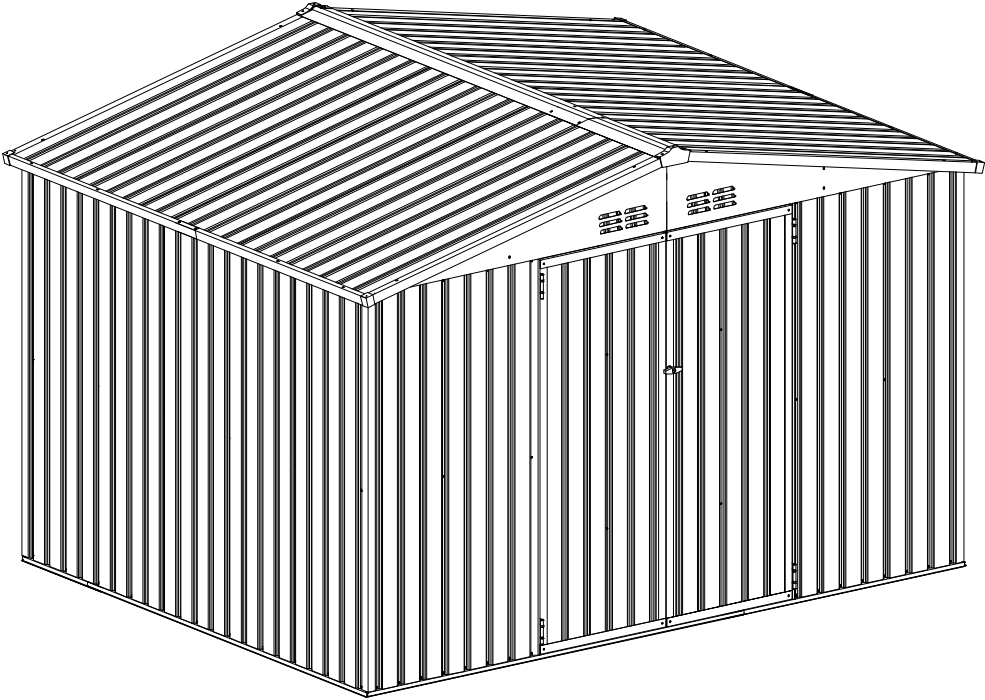
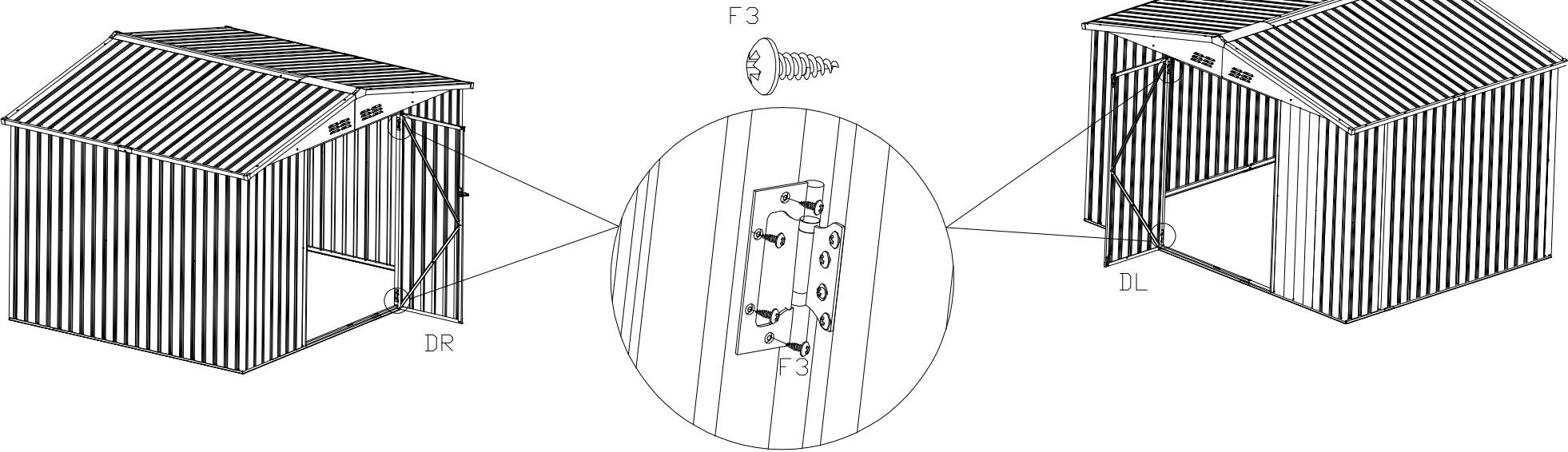
PART	NO.	QTY.
	DBD	2
	F1	5
	F2	2




PART	NO.	QTY.
	DH	4
	DC	2
	F3	16
	GL	1
	F1	4



PART	NO.	QTY.
	DL	1
	DR	1
	F3	16



PART	NO.	QTY.
	SL	50

The exposed part of the assembly screw of the upper crossbeam support rod C4 needs to be covered with a plastic protective cap.

The exposed part of the assembly screws of the upper crossbeam K710-6/K710-6R needs to be covered with a plastic protective cap.

