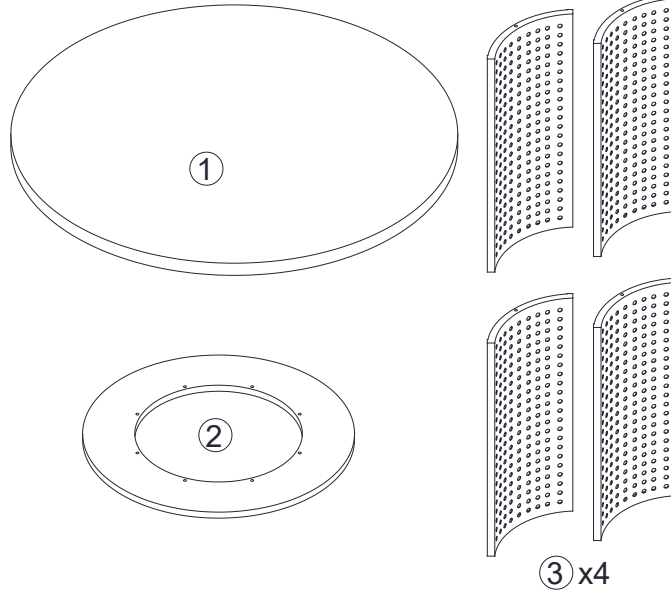
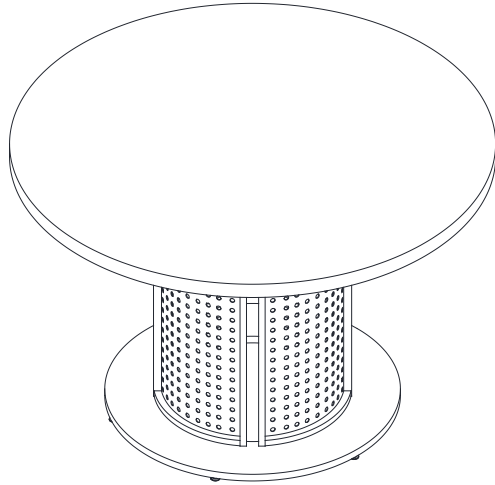
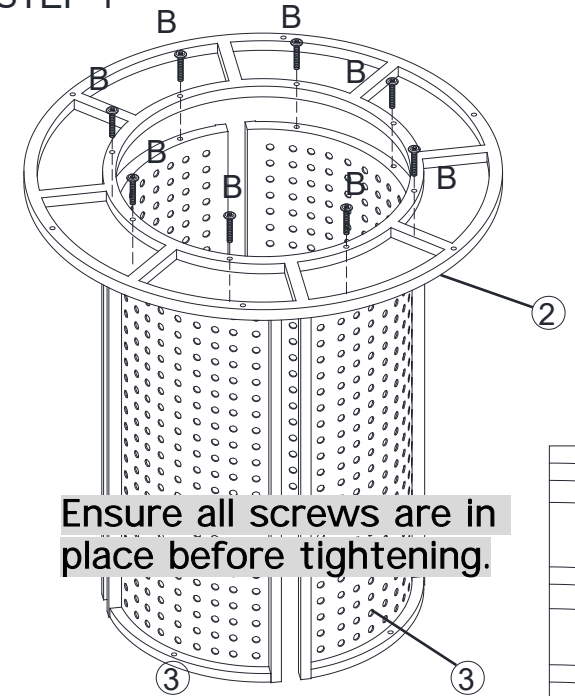


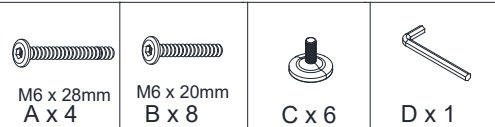
# ASSEMBLY INSTRUCTION



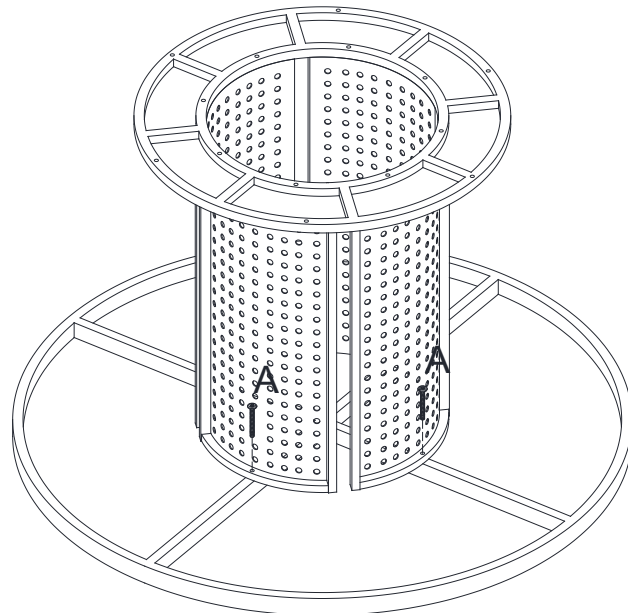
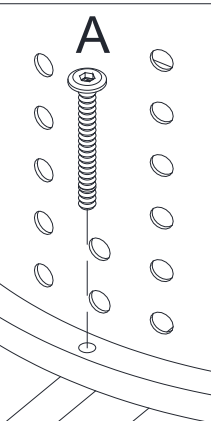
## STEP 1



Ensure all screws are in place before tightening.



## STEP 2



## STEP 3

