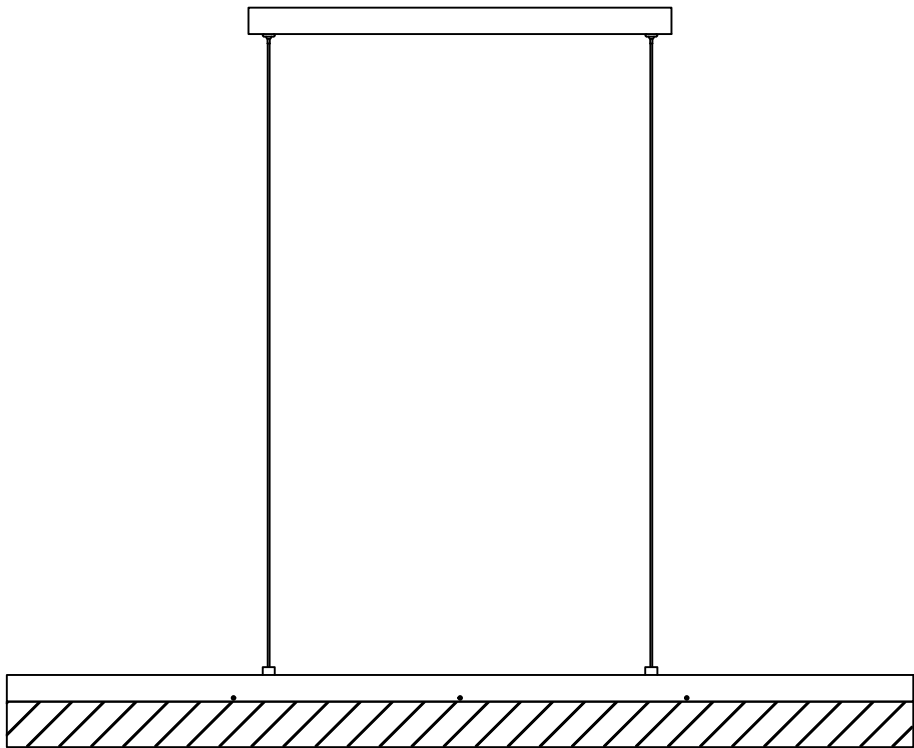


Installation Instructions



Fittings list

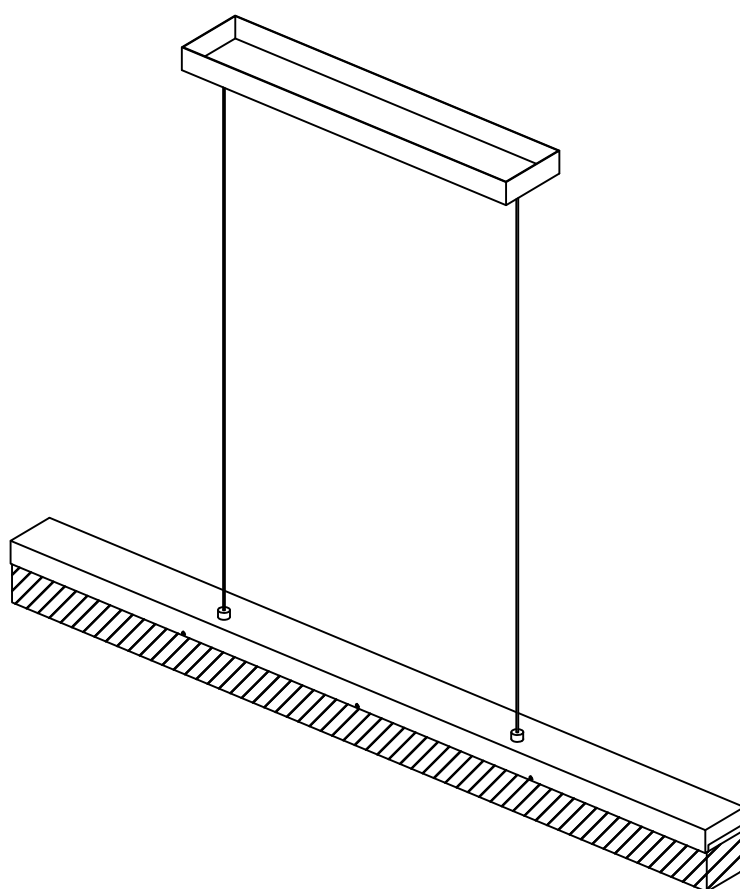
A*2



B*3

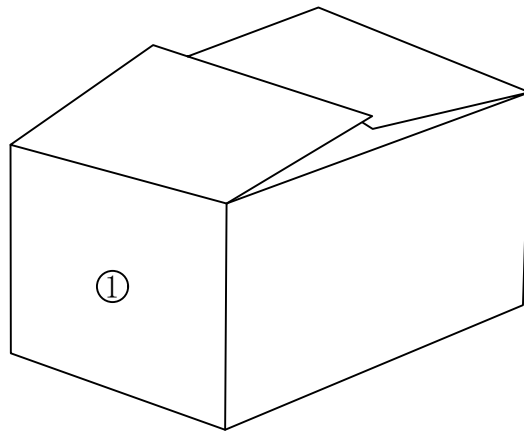


C*6



Chandelier body*1pcs

Packaging Schematic



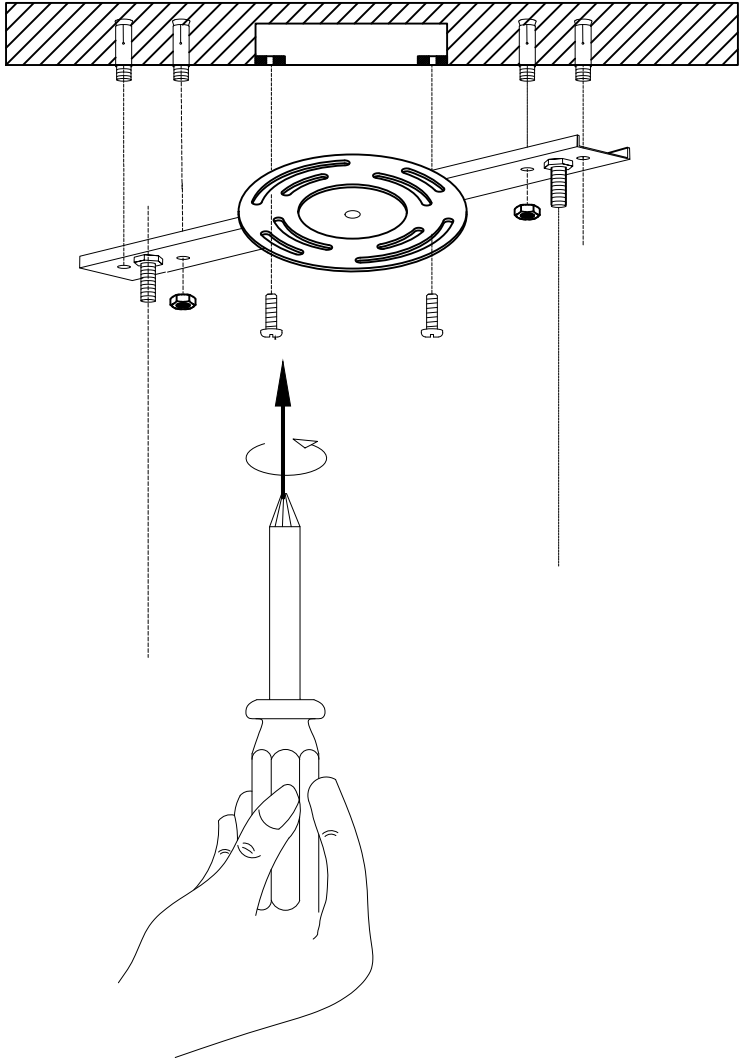
①



Internal packing list:

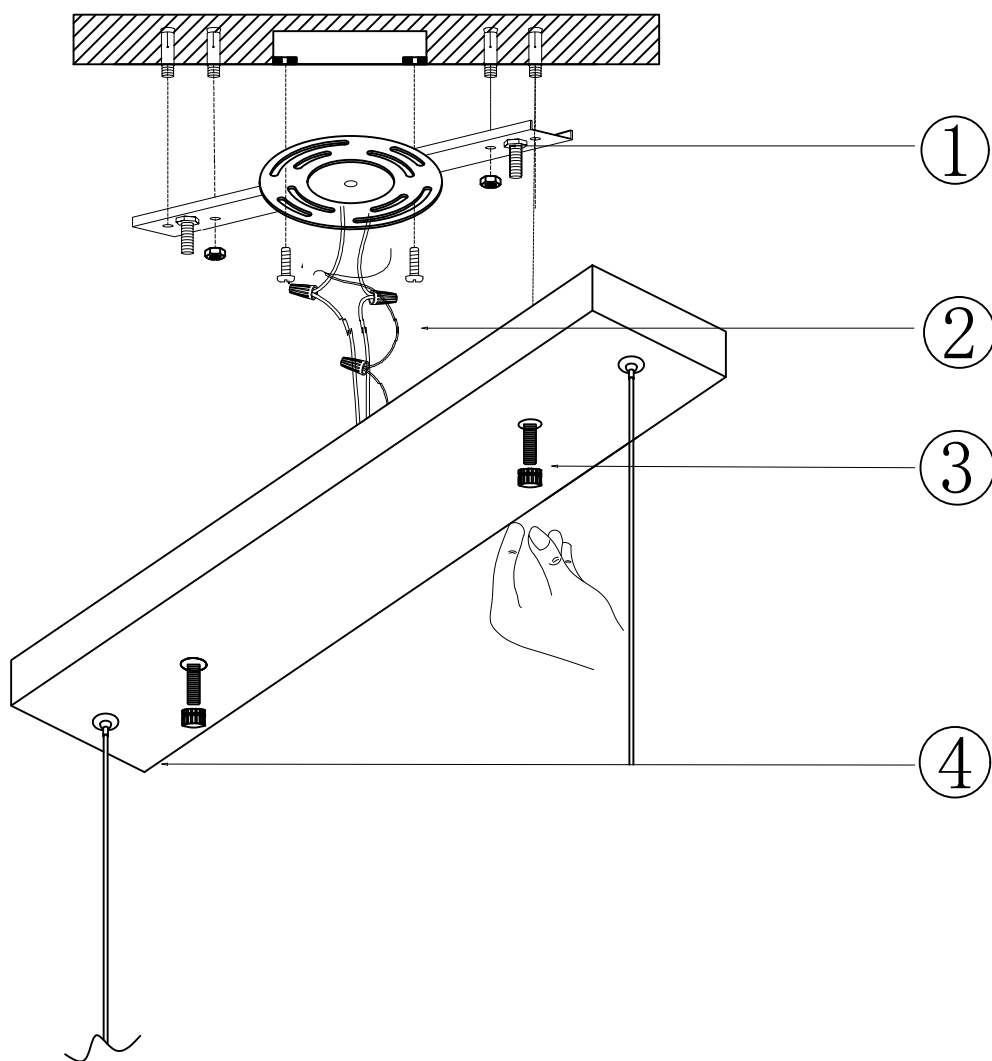
- 1.The first layer of the lamp body main frame & accessories package

Pegboard installation: take out the pegboard and fix it with screws on the ceiling where you need to install it.



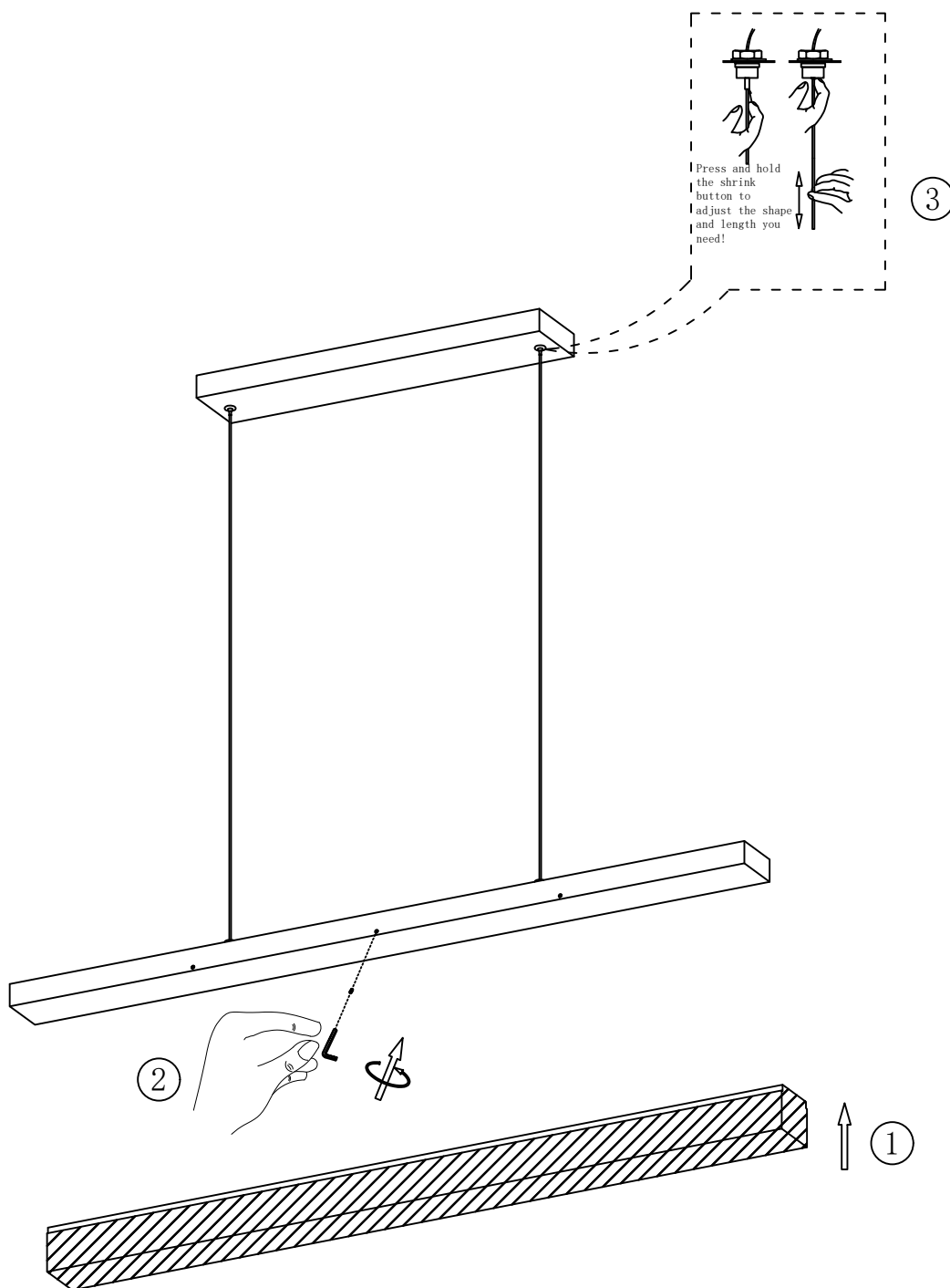
Chandelier body installation:

1. Take out the chandelier body
2. Connect the main cable and power cable of the light body.
3. Fix the ceiling cover to the hanging board with the hanging chain, and hook the hanging chain with the movable buckle.
4. Adjust the height of the hanging chain



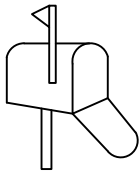
Alabaster piece assembly:

Tighten the screws to secure the alabaster



Before Assembly:

- ★ Please carefully read all instruction steps.
- ★ Retain this manual for future reference.
- ★ Unpack and inventory all parts and hardware.
- ★ Read each step carefully and follow the correct installation sequence.
- ★ To avoid losing parts during assembly, we recommend not moving the fixture until assembly is complete.
- ★ Keep all small parts and packaging materials of this product away from infants and children, as they may cause serious injury.



Please contact us if you have any questions
And wish you a happy life!



5 Star Rating

Thank you



★ Product Specifications:

lamp holder: **LED** **Wattage: 50W** (Single) **Color Temperature: 3000K**