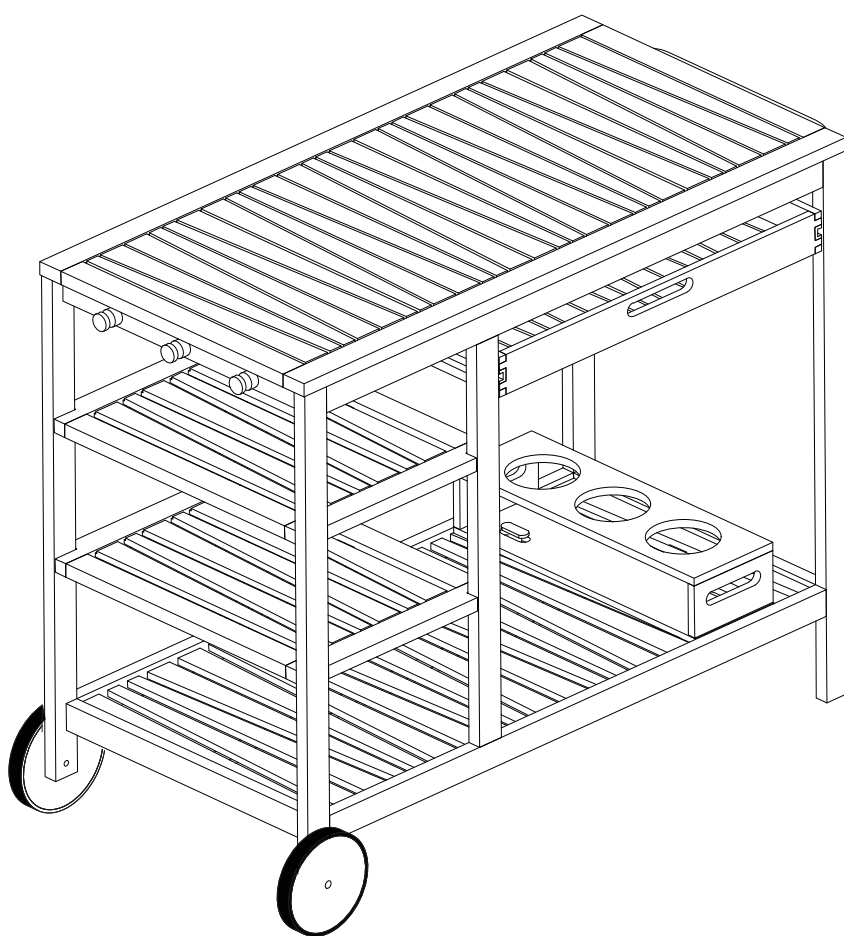


Assembly Instructions

Caution: You must read this before you proceed.

Barcart

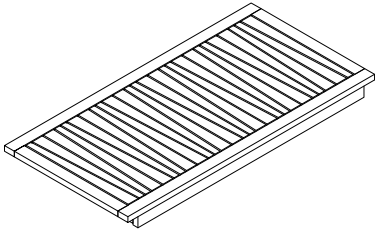
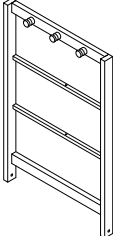
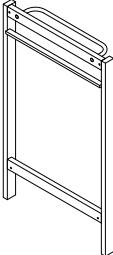
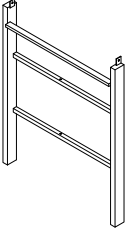
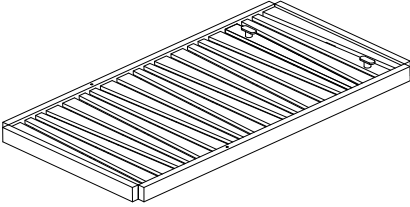
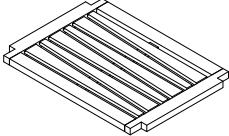
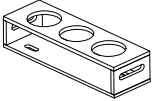
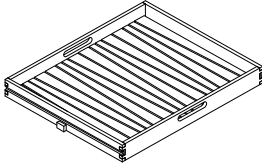



Caution: This Barcart is NOT a TOY.

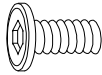
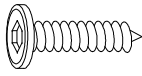
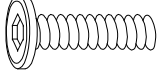
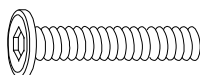
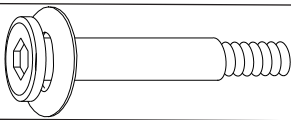


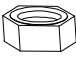

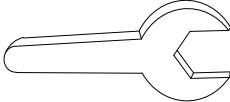

Keep your child/children at bay during the assembly process.

Whenever lifting the Barcart and to prevent damage to the Barcart two adults are needed to execute this action.

Parts List

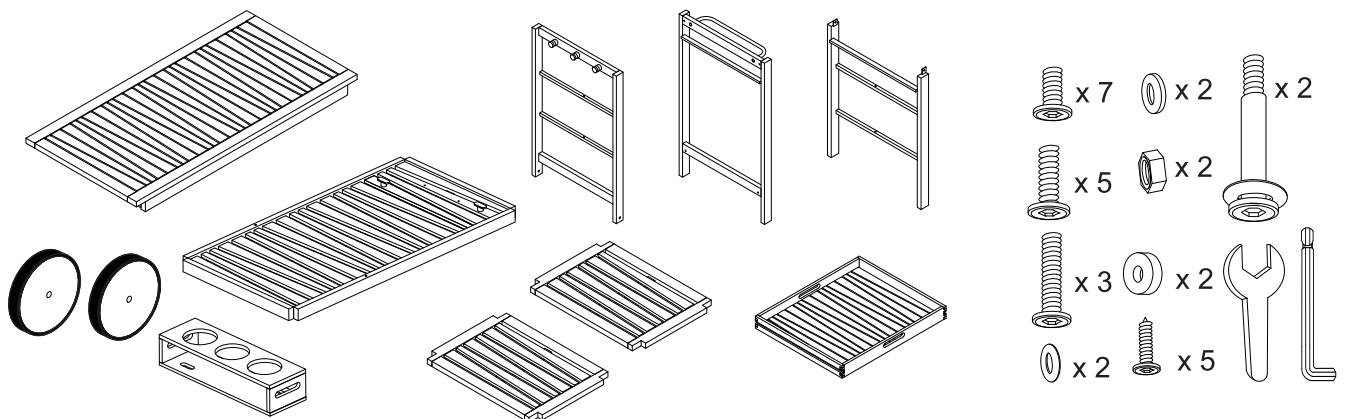
Label	Picture	Description	Qty
A	 A rectangular panel with a grid of slats, shown from a perspective view.	Top Panel	1
B	 A vertical frame component with three horizontal rungs, shown from a perspective view.	Left Leg Frame	1
C	 A vertical frame component with three horizontal rungs, shown from a perspective view.	Right Leg Frame	1
D	 A vertical frame component with two horizontal rungs, shown from a perspective view.	Middle Frame	1
E	 A rectangular panel with a grid of slats, shown from a perspective view.	Bottom Panel	1
F	 A rectangular panel with a grid of slats, shown from a perspective view.	Shelf	2
G	 A small rectangular component with two circular cutouts, shown from a perspective view.	Bottle Holder	1
H	 A rectangular panel with a grid of slats, shown from a perspective view.	Tray	1
I	 A circular wheel with a central hub, shown from a perspective view.	Wheel	2

Hardware

No.	Picture	Description	Qty
①		Bolt (M6 x 15mm)	7
②		Screw (M6 x 30mm)	5
③		Bolt (M6 x 38mm)	5
④		Bolt (M6 x 50mm)	3
⑤		Bolt (M8 x 70mm)	2
⑥		Spring Washer M8	2
⑦		Washer (M8/18x 2mm)	2
⑧		Nut	2
⑨		Washer (M8.5/30 x 8mm)	2
⑩		Spanner	1
⑪		Allen Key	1

Assembly Preparation

Before Beginning Assembly:



Read instructions, cover to cover.



Have 2 adults on hand for assembly.



Do not assemble on flooring or carpet.



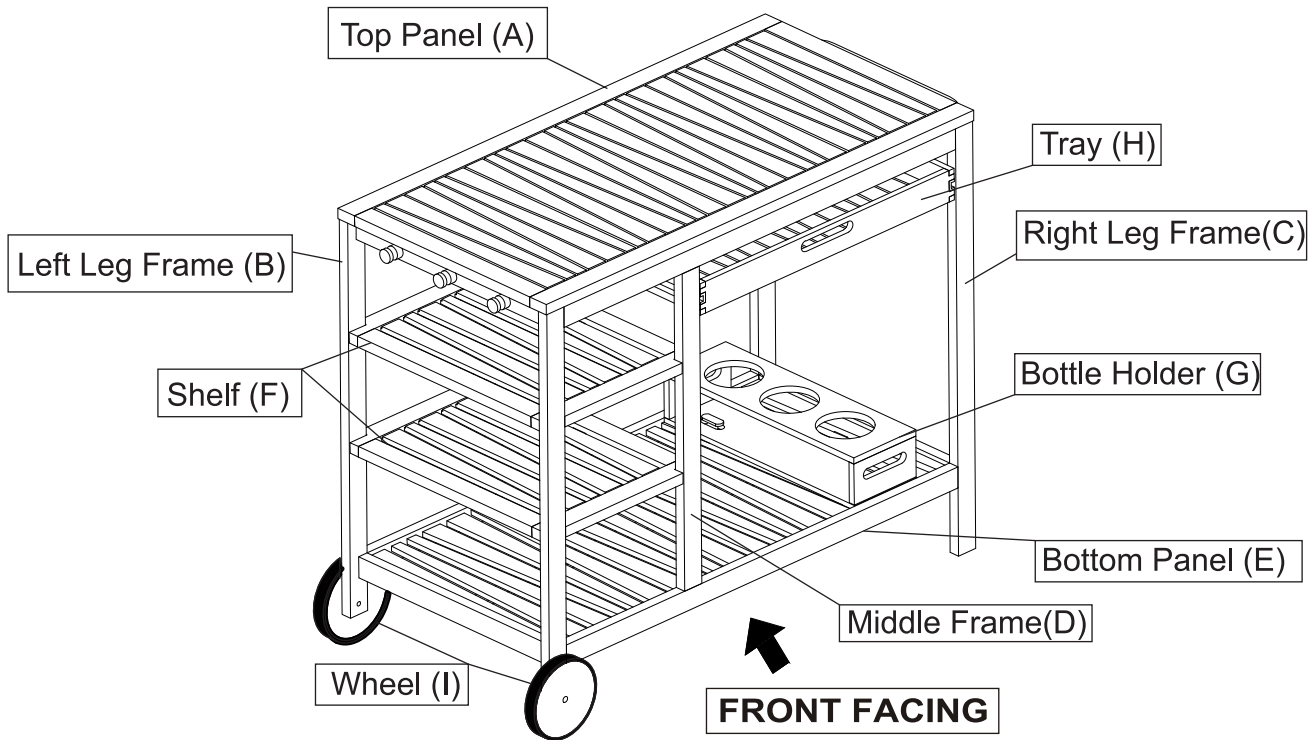
Assemble on a clean non-marring surface (packing foam).



Save all packaging until finished.

Assembly Steps

OVERVIEW

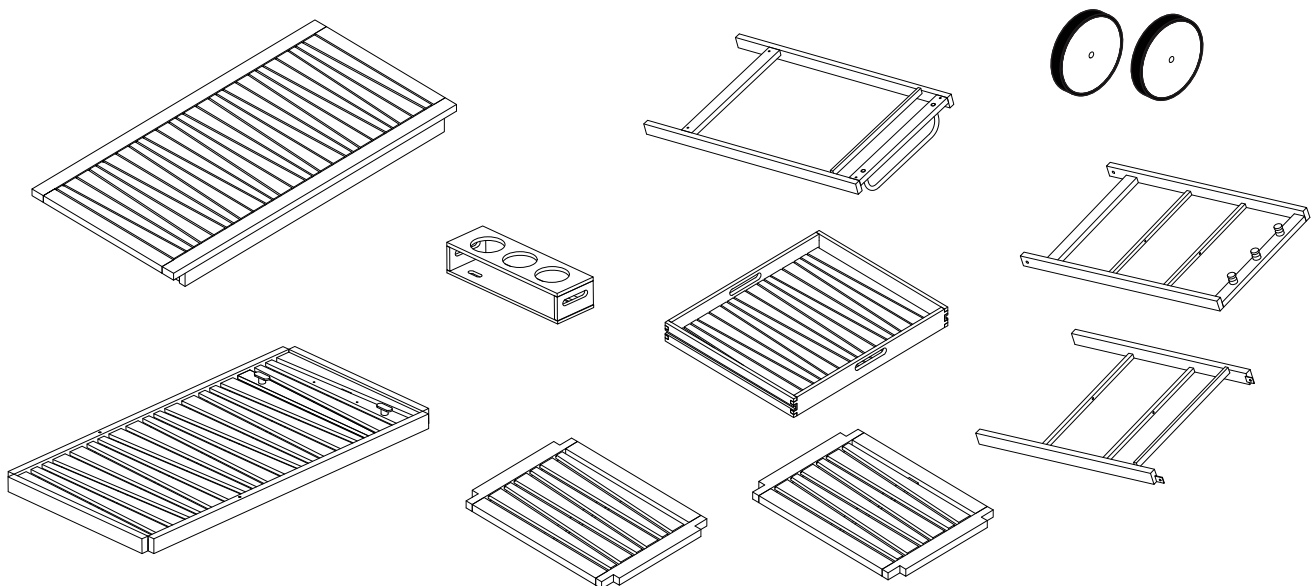


This Barcart has multiple parts and may require up to 30 minutes to assemble. To give you an overview of the Barcart, the above picture is to help you put the various parts into perspective. Please read through the instructions below to familiarise yourself with the parts and steps before assembly.

Assembly Preparation

Before Beginning Assembly

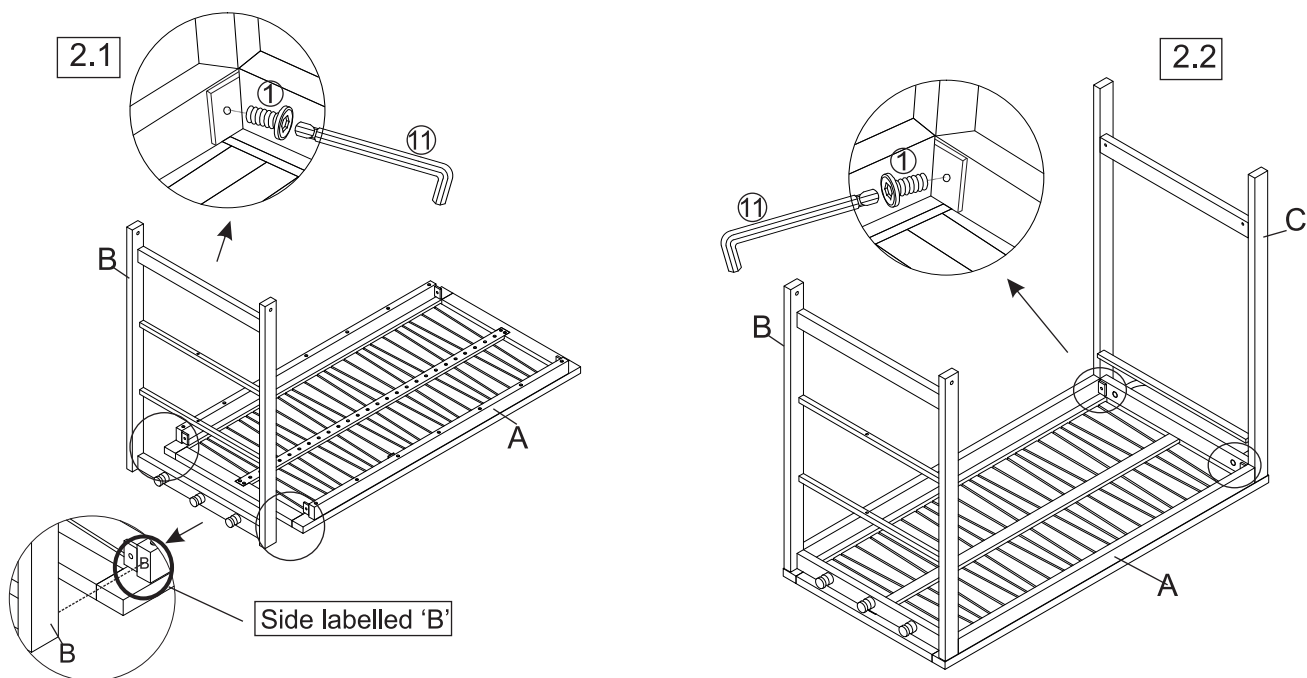
Step 1



Unpack and place all parts on a clean, non-marring surface..

Assembly Steps

Step 2



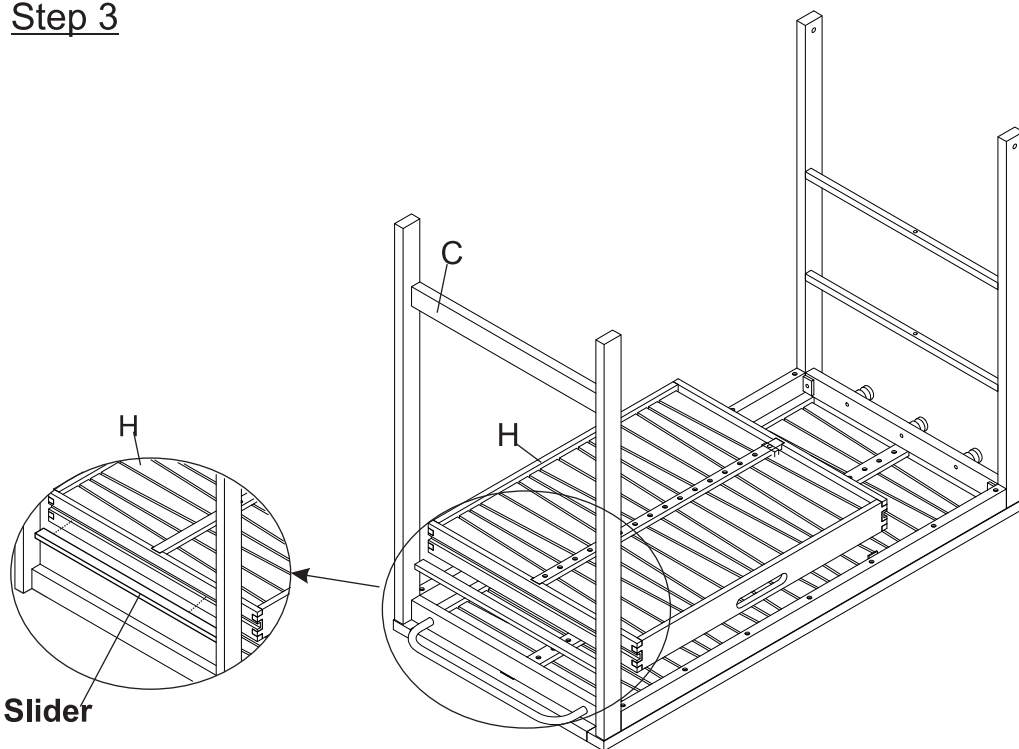
With the help from your adult partner, place the Top Panel(A) facedown onto a clean, non-marring surface.

2.1) Attach the Left Leg Frame(B) to the side of the Top Panel (A) labelled (B) using the Bolt (1) and Allen Key (11) as shown in picture above.

2.2) Repeat the same process with the Right Leg Frame(C)

Do not fully tighten the Bolts.

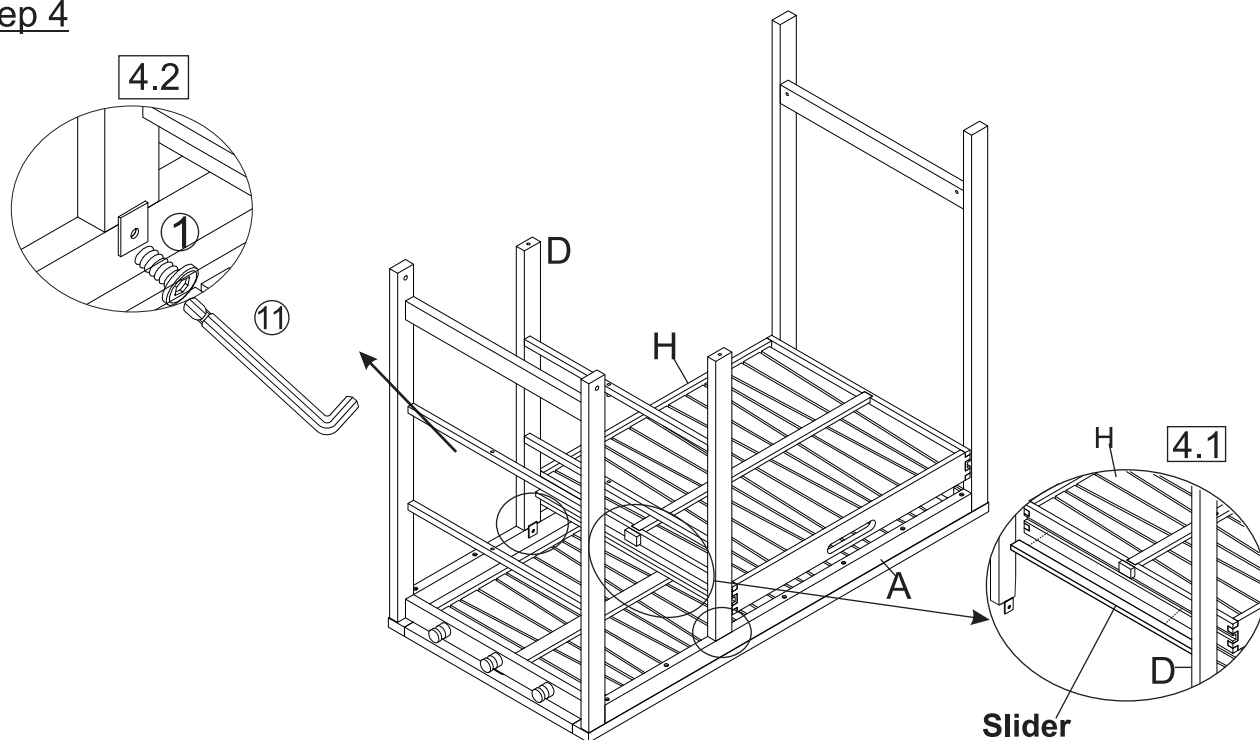
Step 3



Push the Tray(H) into the slider on Right Leg Frame(C) as shown above.

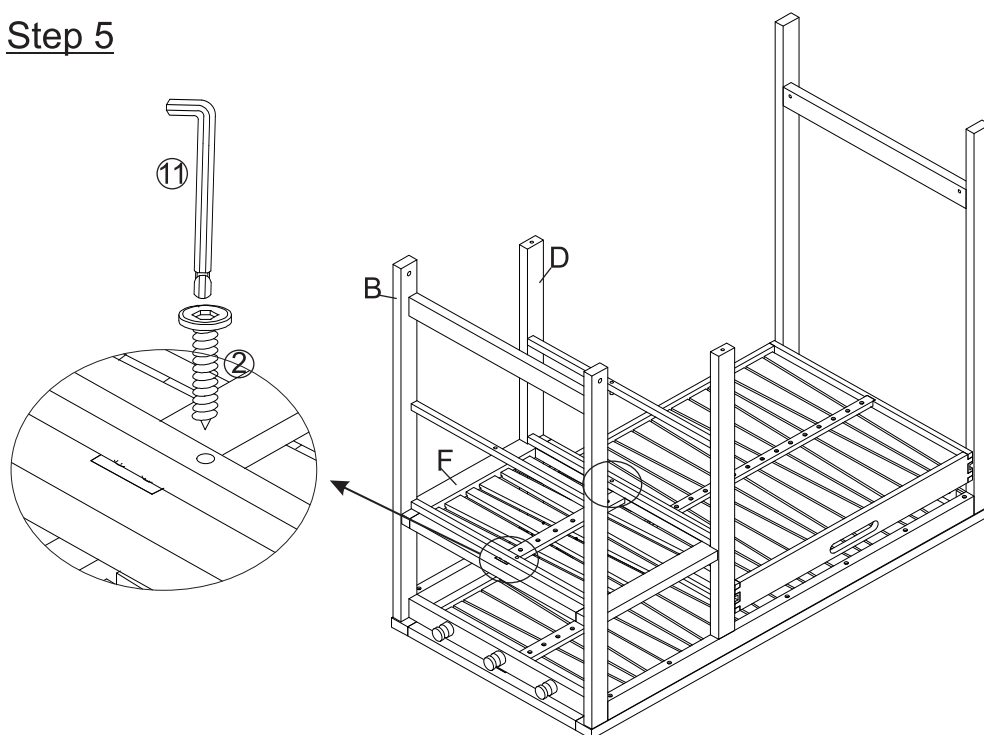
Assembly Steps

Step 4



- 4.1)** Push the Tray(H) into the slider of the Middle Frame(D) as pictured.
- 4.2)** Attach Middle Frame(D) to Top Frame(A) using Bolts(①) with Allen Key(⑪).
Do not fully tighten the Bolts.

Step 5

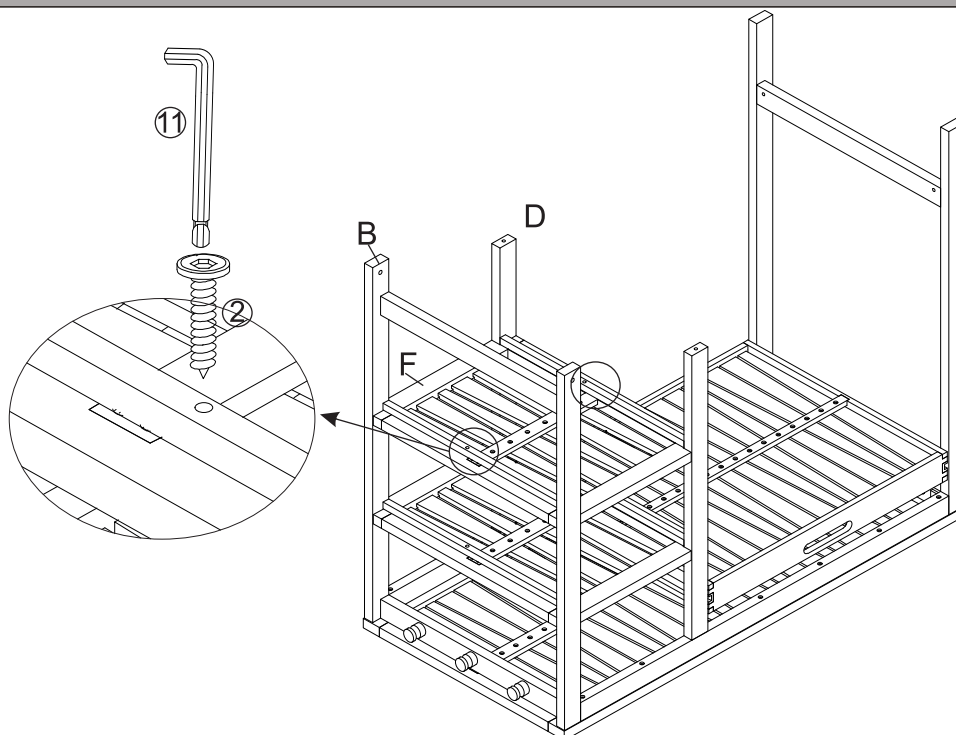


Align Shelf(F) between Left Leg Frame(B) and Middle Frame(D) as shown above. Attach Shelf(F) to Left Leg Frame(B) and Middle Frame(D) using Screws(②) with Allen Key(⑪).

Do not fully tighten the Screws

Assembly Steps

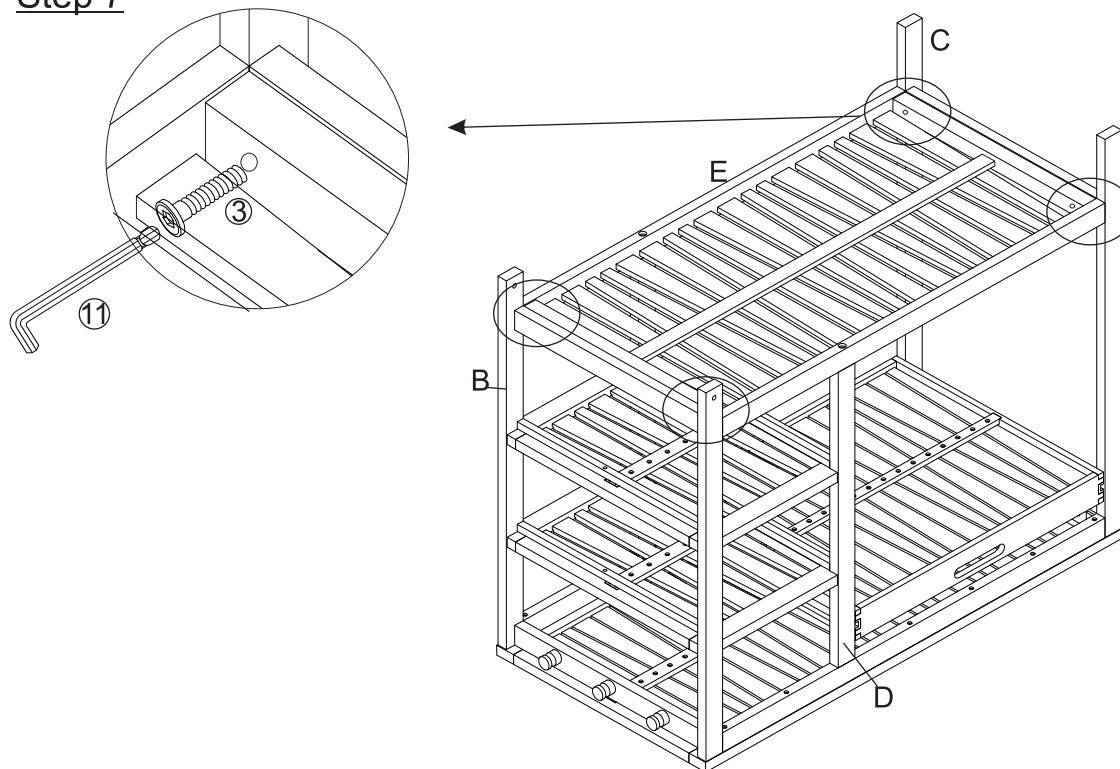
Step 6



Align Shelf(F) between Left Leg Frame(B) and Middle Frame(D) as shown above. Attach Shelf(F) to Left Leg Frame(B) and Middle Frame(D) using Screws(2) with Allen Key(11).

Do not fully tighten the Screws.

Step 7

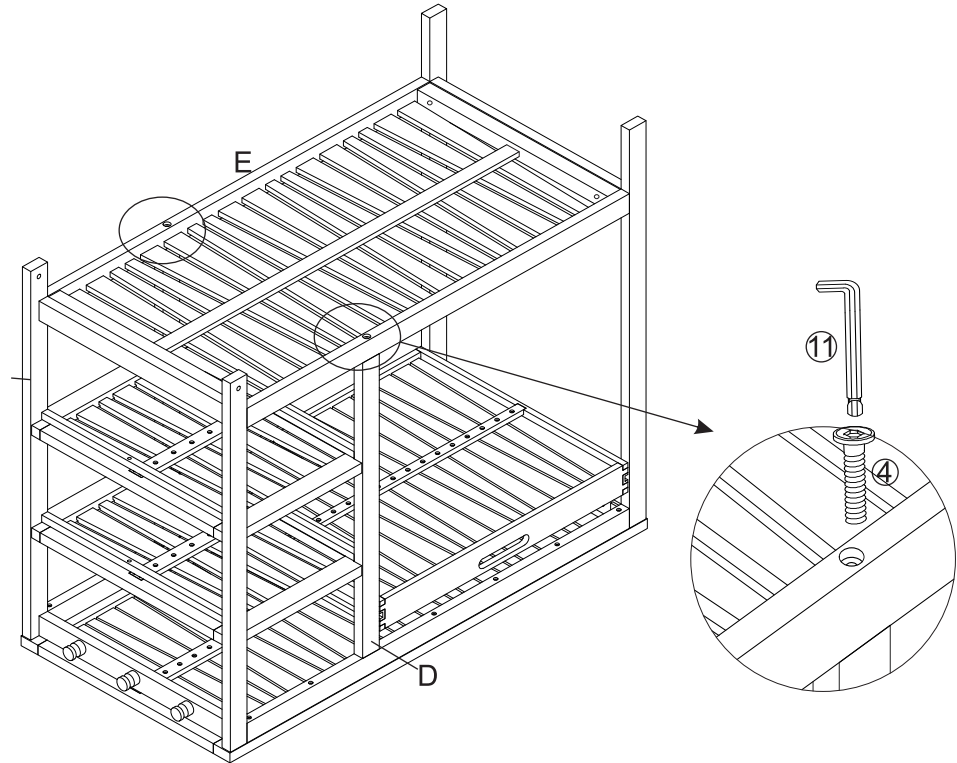


With assistance from your adult partner, attach the Bottom Panel(E) to Left Leg Frame(B) and Right Leg Frame(C) using Bolts(3) with Allen Key(11).

Do not fully tighten the Bolts.

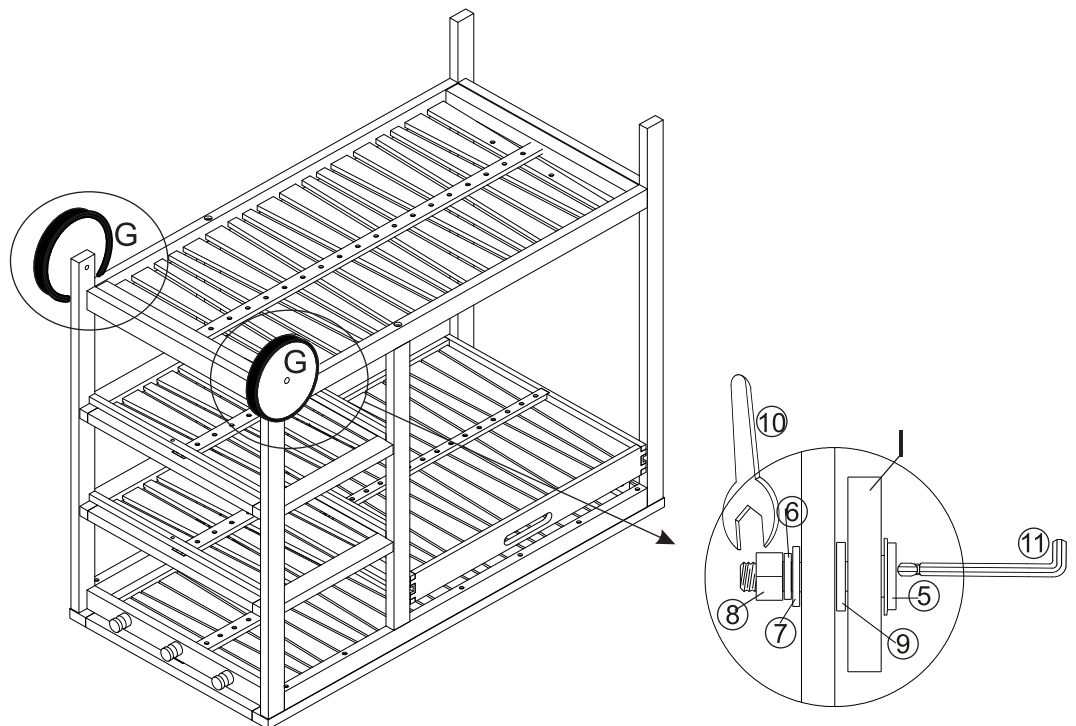
Assembly Steps

Step 8



Attach Middle Frame(D) to Bottom Frame(E) using Bolts(④) with Allen Key(⑪).
Do not fully tighten the Bolts.

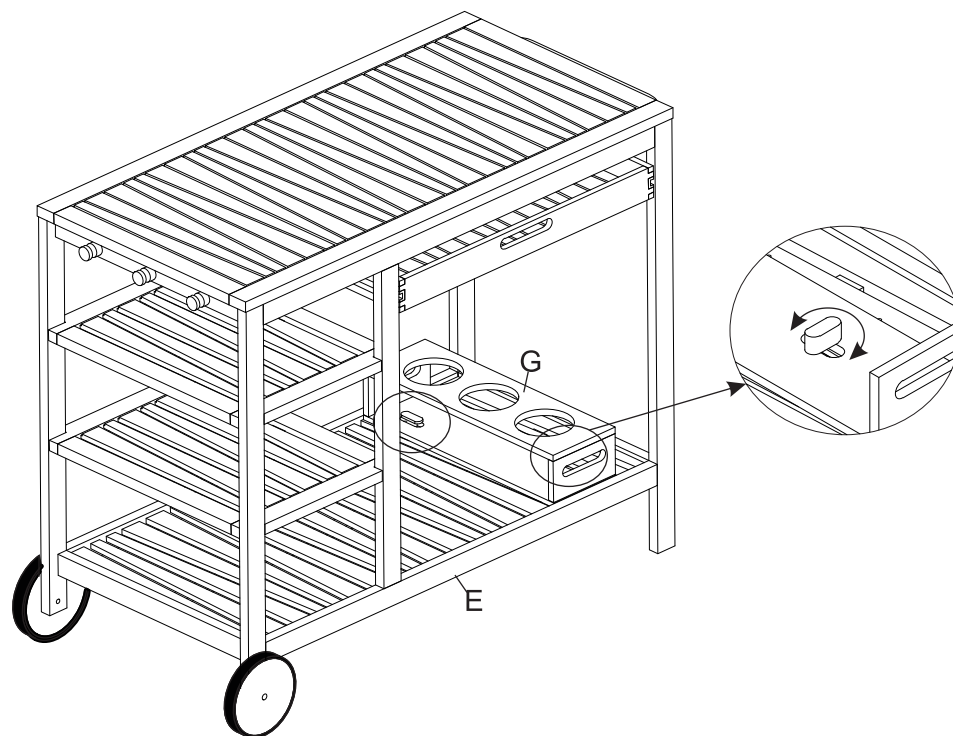
Step 9



Attach Wheels(I) to Left Leg Frame(B) using Bolts(⑤), Washers(⑨), Washers(⑦), Spring Washers(⑥), and Nuts(⑧) with Allen Key(⑪) and Spanner(⑩) as shown in the diagram above.
Do not fully tighten the Bolts.

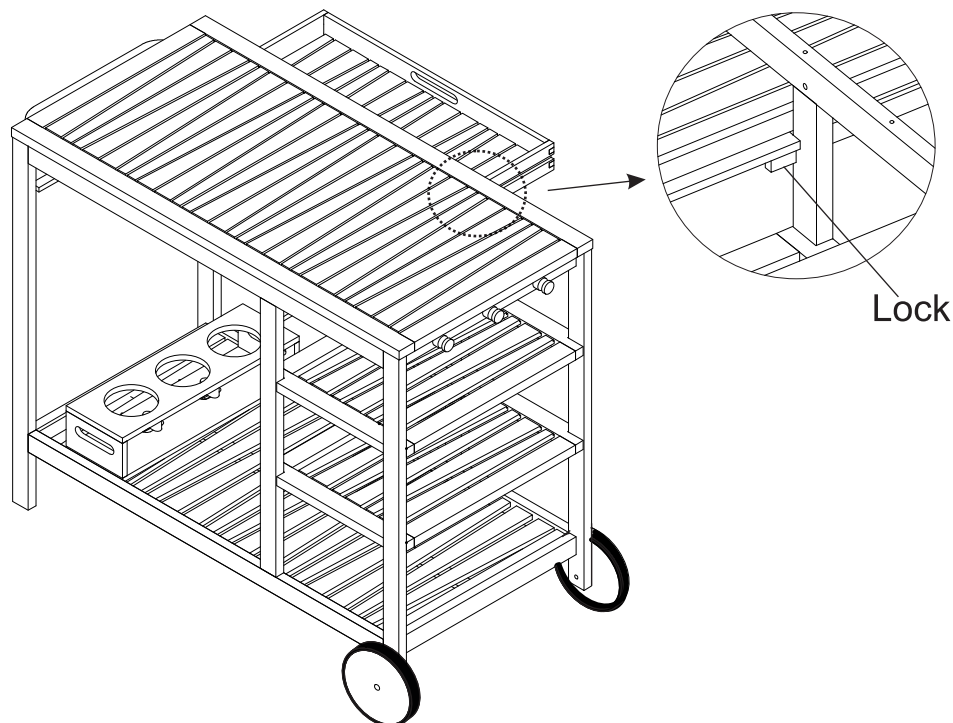
Assembly Steps

Step 10



With assistance from your adult partners stand the Barcart up. Insert Bottle Holder(G) onto the Bottom Frame(F) then lock it in place as shown in the picture above.

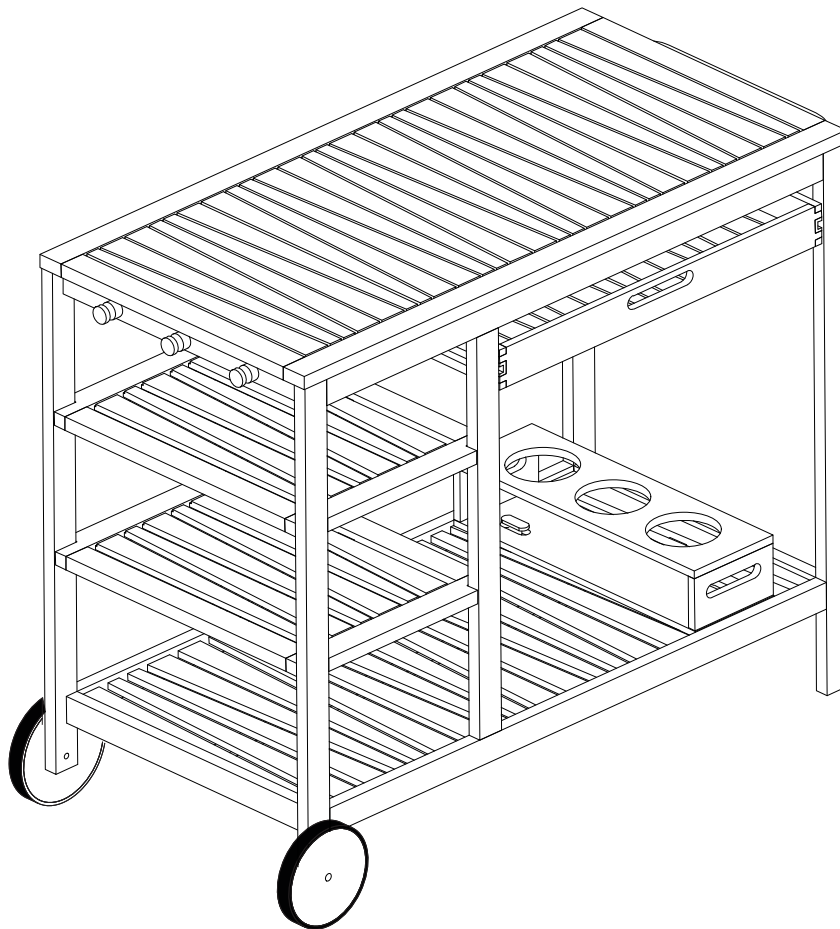
Step 11



The Tray can only be pulled out to the lock position










Assembly Steps

Step 12



In a sequential manner, gradually tighten all Screws and Bolts until evenly secured. Inspect the Barcart and make sure all parts are adequately connected. Your Barcart is ready for use. This Barcart can only be used on flat, level surface.

Care & Maintenance

-  Do not put hot items directly on furniture surface.
-  Do not clean furniture with harsh cleansers or polish.
-  To obtain the longest lifespan of your outdoor products, minimizing exposure to direct sunlight is recommended.
-  Children should not climb or jump on the furniture.
-  Do not write on furniture without a padded barrier to protect the surface.
-  To obtain the longest lifespan of your outdoor products, avoid extended and lengthy exposure to rain, snow, and direct sunshine. Whenever possible cover the product and /or place under patio or awnings.
-  Not for commercial use. For residential use only
-  Stains may be removed with mild soap solution and damp cloth.
-  Dust and pick-up spills using a clean, non-colored, lint-free cloth.

Questions & Answers about Proposition 65

- What is Proposition 65?

Proposition 65 requires businesses to provide warnings to Californians about significant exposures to chemicals that cause cancer, birth defects or other reproductive harm. These chemicals can be in the products that Californians purchase, in their homes or workplaces, or that are released into the environment. By requiring that this information be provided, Proposition 65 enables Californians to make informed decisions about their exposures to these chemicals.

Proposition 65 also prohibits California businesses from knowingly discharging significant amounts of listed chemicals into sources of drinking water.

Proposition 65 requires California to publish a list of chemicals known to cause cancer, birth defects or other reproductive harm. This list, which must be updated at least once a year, has grown to include approximately 900 chemicals since it was first published in 1987.

- What types of chemicals are on the Proposition 65 list?

The list contains a wide range of naturally occurring and synthetic chemicals that include additives or ingredients in pesticides, common household products, food, drugs, dyes, or solvents. Listed chemicals may also be used in manufacturing and construction, or they may be byproducts of chemical processes, such as motor vehicle exhaust.

- What does a warning mean?

If a warning is placed on a product label or posted or distributed at a workplace, a business, or in rental housing, the business issuing the warning is aware or believes that it is exposing individuals to one or more listed chemicals.

By law, a warning must be given for listed chemicals unless the exposure is low enough to pose no significant risk of cancer or is significantly below levels observed to cause birth defects or other reproductive harm.

- Where can I get more information on Proposition 65?

If you have specific questions on the administration or implementation of Proposition 65, you can contact OEHHA's Proposition 65 program at P65.Questions@oehha.ca.gov, or by phone at (916) 445-6900.