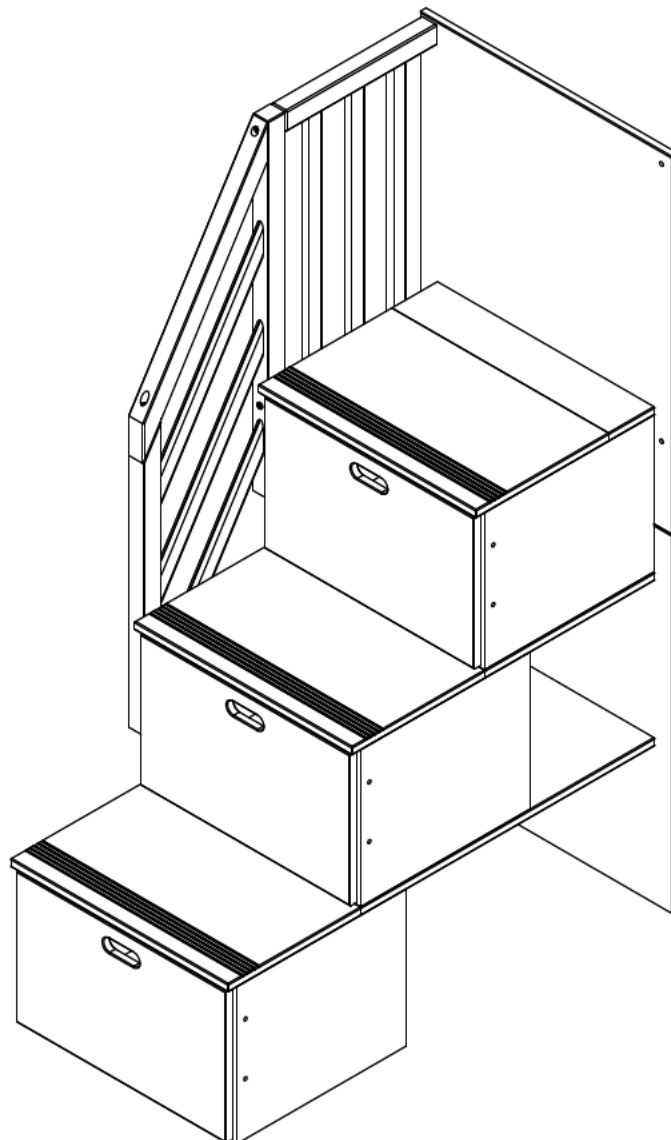


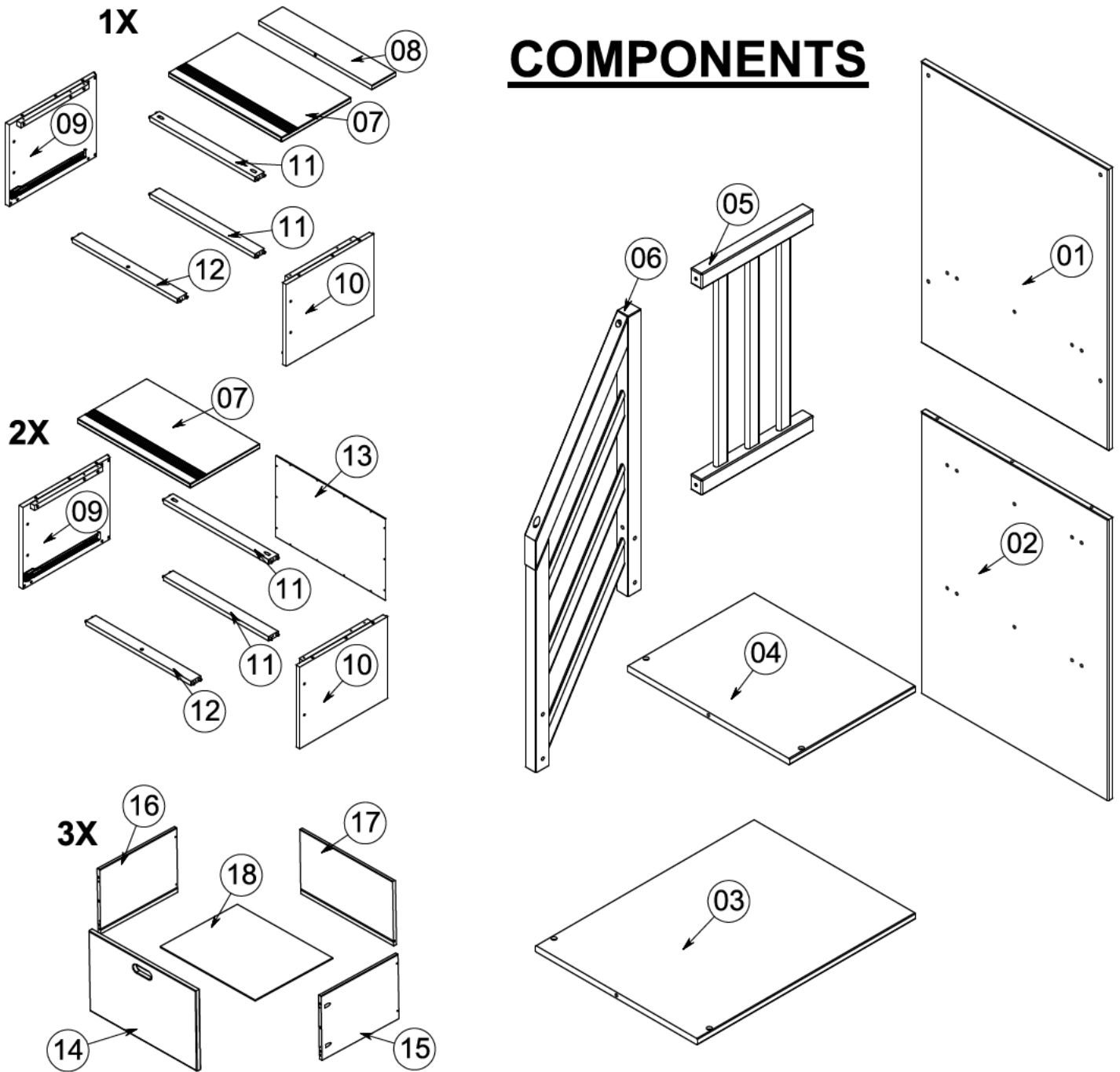
Thank you for purchasing. We hope you get years of enjoyment from your new bed. The unique brushing process highlights the woods natural grain. All our wood is planta on gown. No two pieces of wood are the same, enjoy the natural beauty of wood, every piece of wood has unique grain and color and knots, these differences in texture and color create the look only solid wood provides.

The success or failure of a product sold on the internet is a direct reflec on of posi e or negaate reviews. We would be grateful if you could posost a posie review and help this products success, thank you for your help.

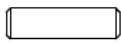



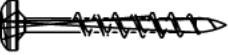
STAIRWAY

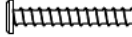
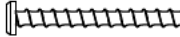
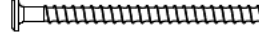

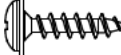
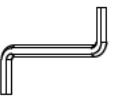


COMPONENTS



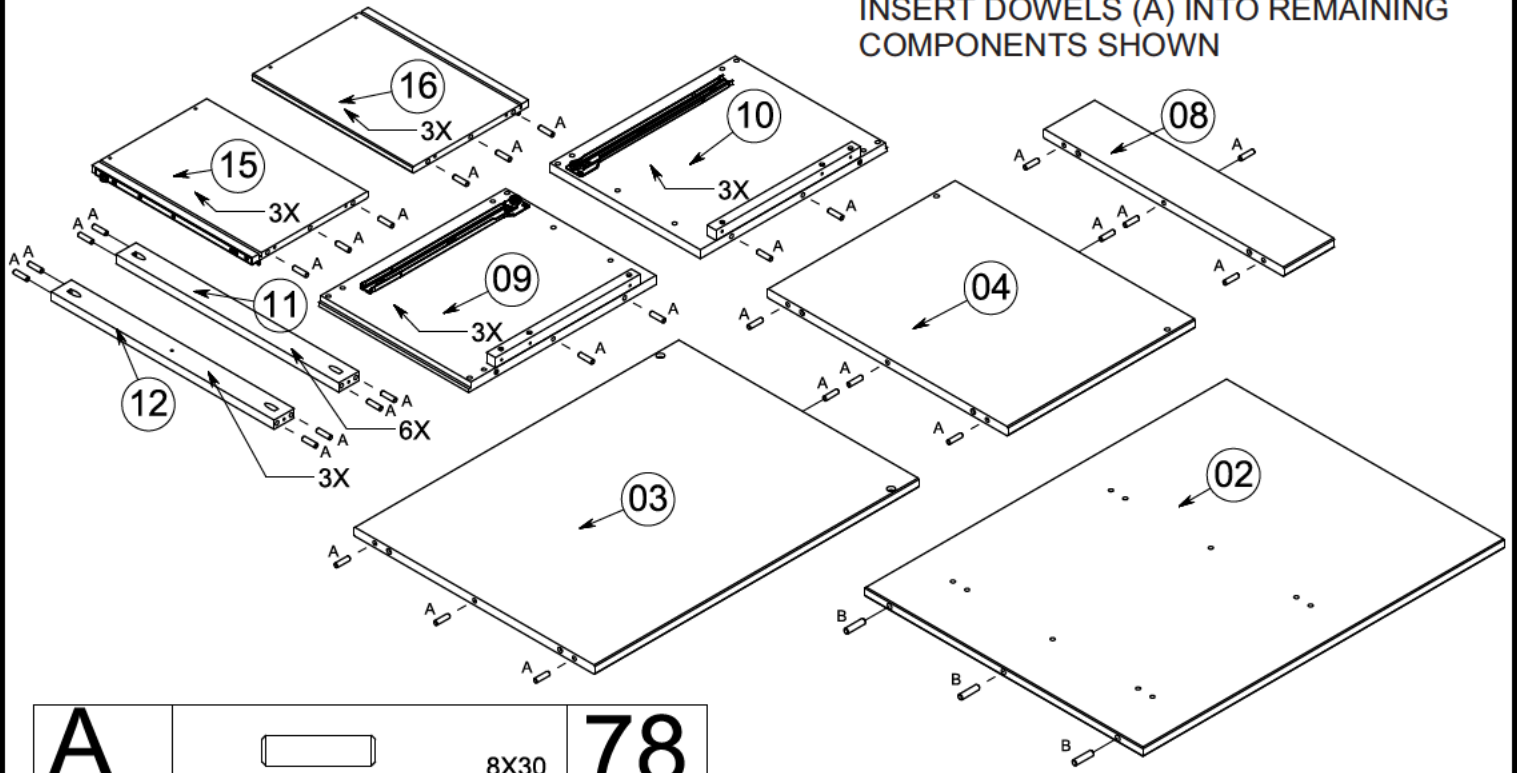
HARDWARE

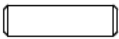

A		8X30	78
B		10X40	03
C		(13) 3/16X50	04
D		CC 3,5x16	08
E		CP 3,5x30	58

F		(13) 7X50	12
G		(13) 7X70	01
H		(13) 7X100	01
I		75X75X25	02
J		CF 3,5x16	28
L			02

STEP 1

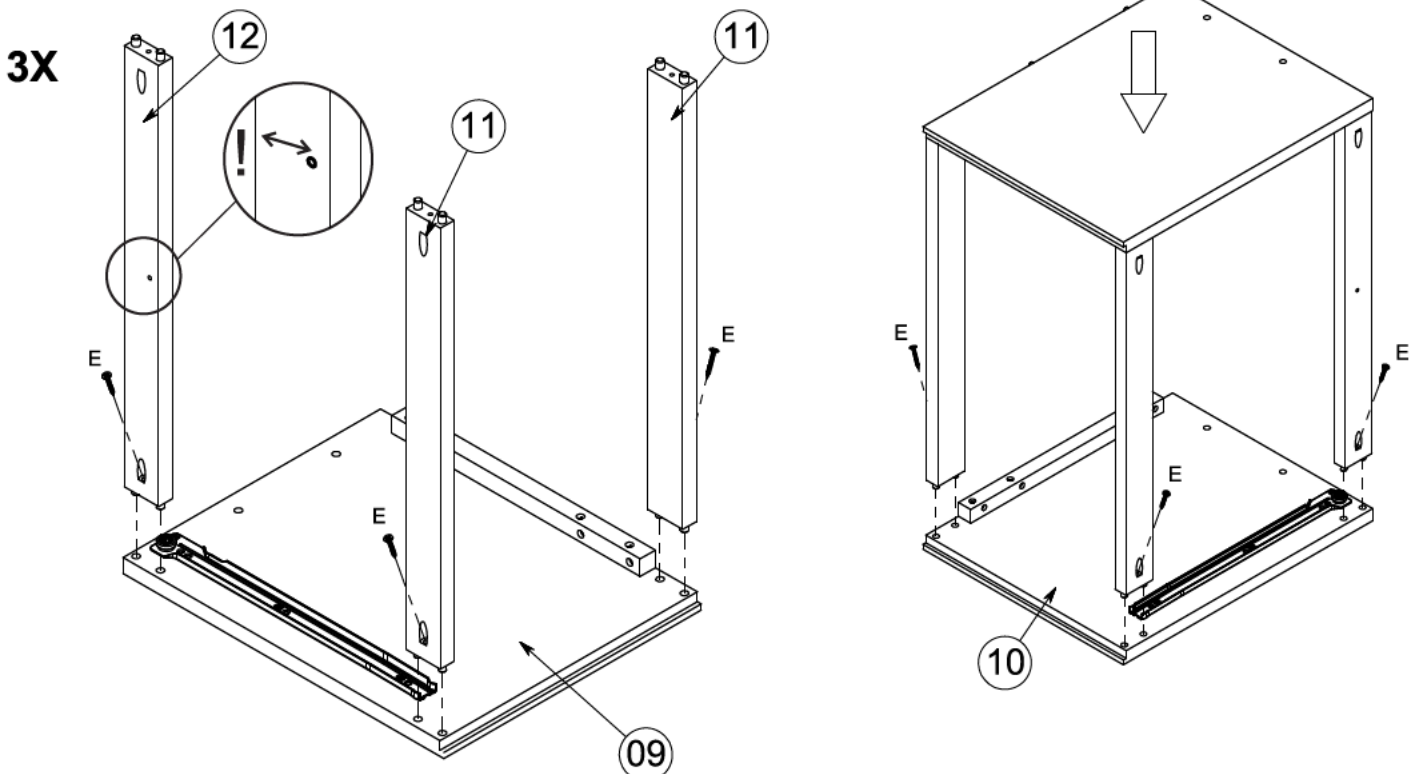
INSERT DOWELS (B) INTO PANEL (02)
THEN
INSERT DOWELS (A) INTO REMAINING
COMPONENTS SHOWN

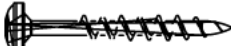


A		8X30	78
B		10X40	03

STEP 2

INSERT BOARDS (11X2, 12) INTO SIDE PANEL (09). TIGHTEN WITH SCREW (E).
THEN FLIP AND INSERT TO SIDE PANEL (10). TIGHTEN WITH SCREW (E).

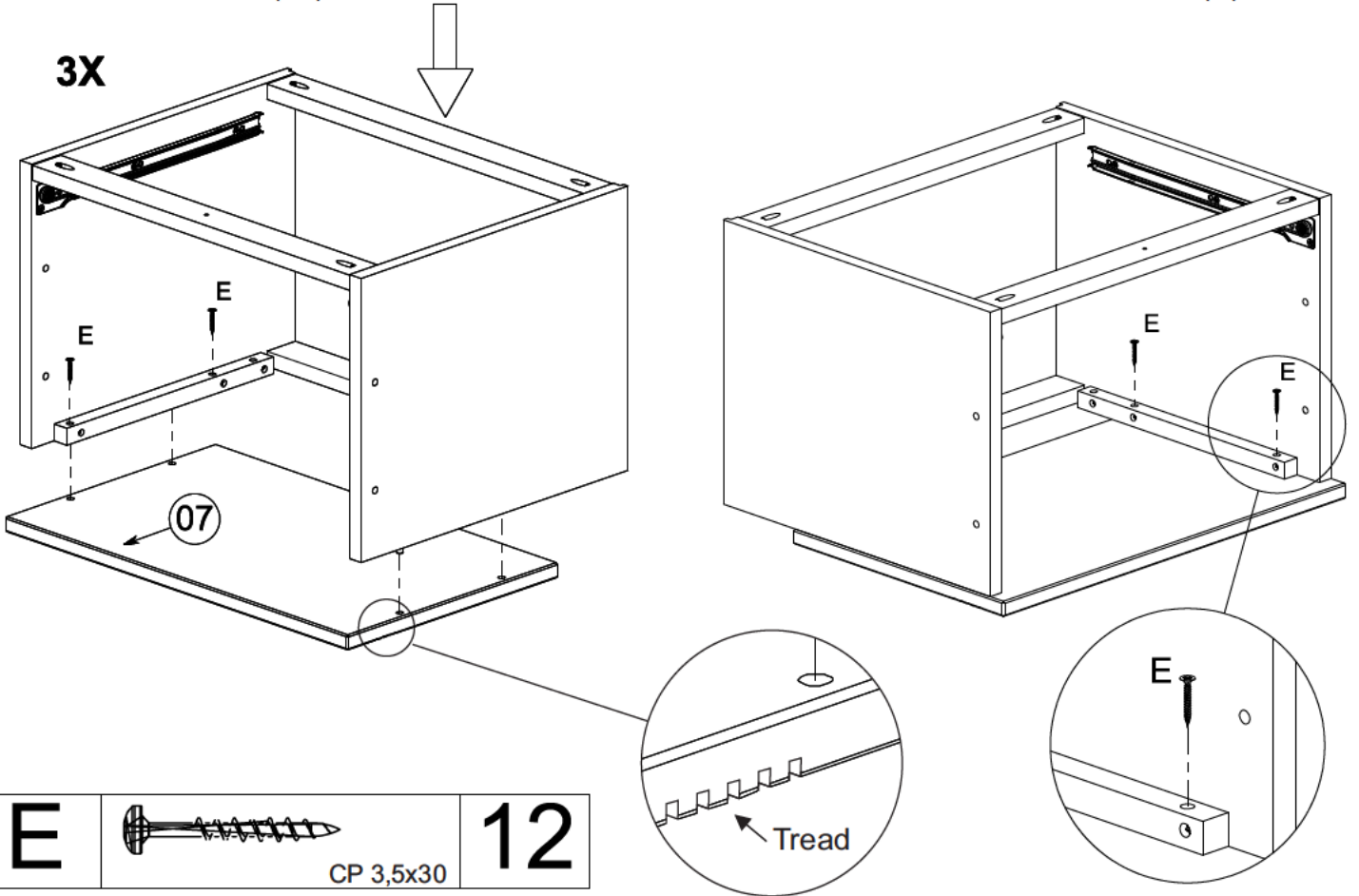


E		CP 3,5x30	18
----------	---	-----------	-----------

STEP 3

ATTACH TOP (07) TO DRAWER BOX BUILT IN STEP 2. TIGHTEN WITH SCREW (E)

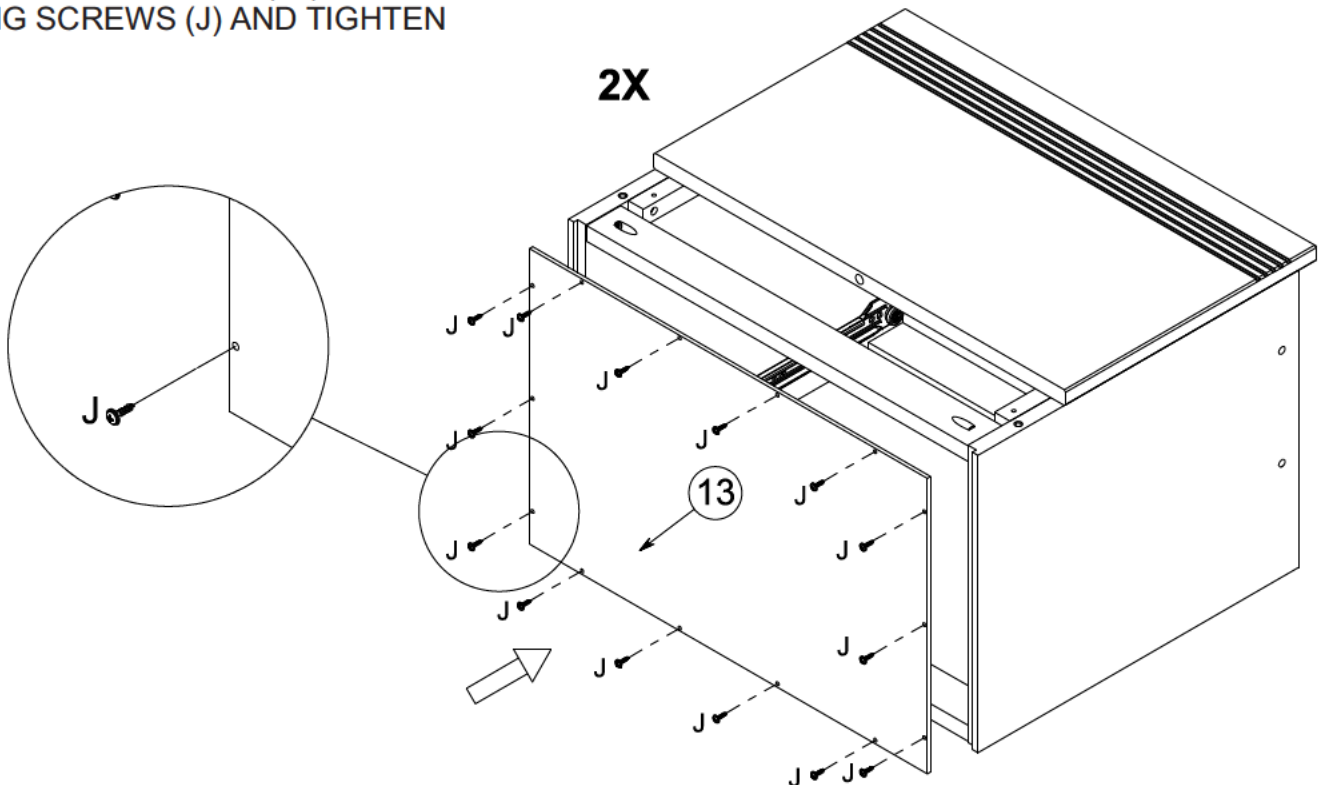
3X



STEP 4

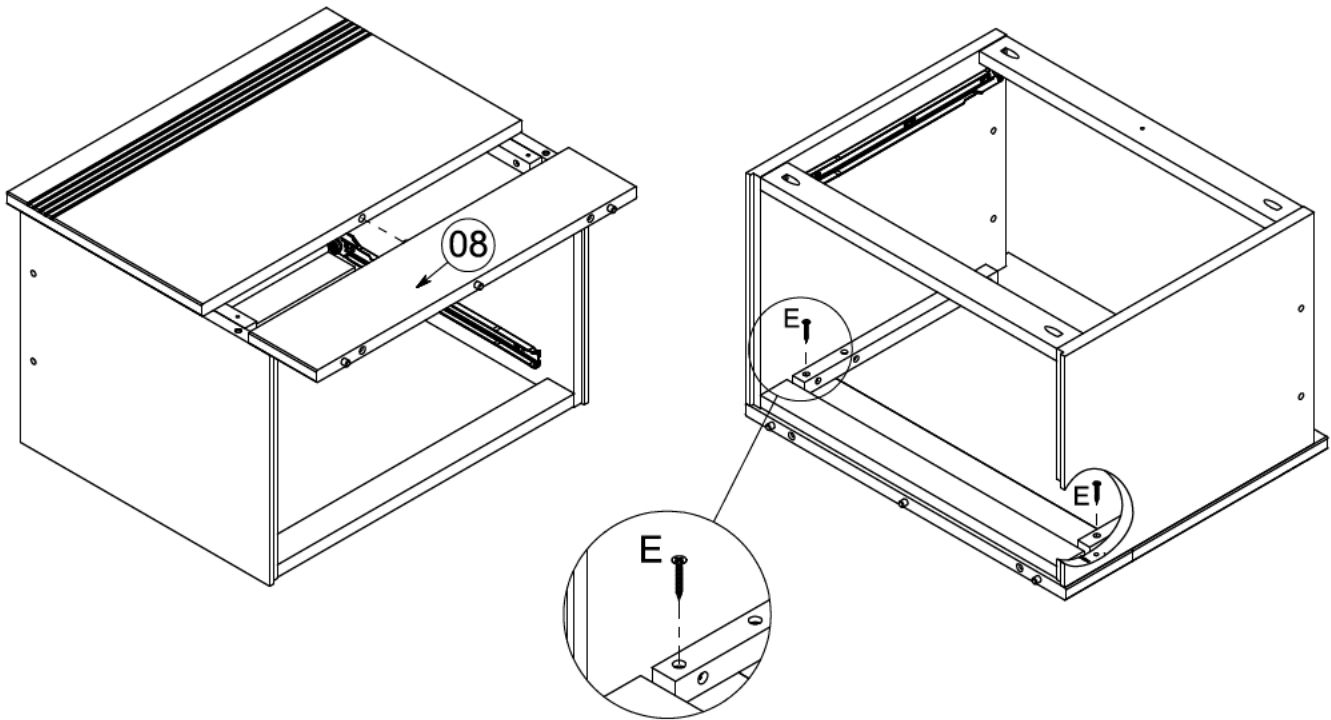
ATTACH BACK PANEL (13) TO DRAWER BOX USING SCREWS (J) AND TIGHTEN

2X

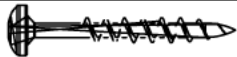


STEP 5

ATTACH BOARD (08) TO DRAWER BOX
USING SCREWS (E).



E

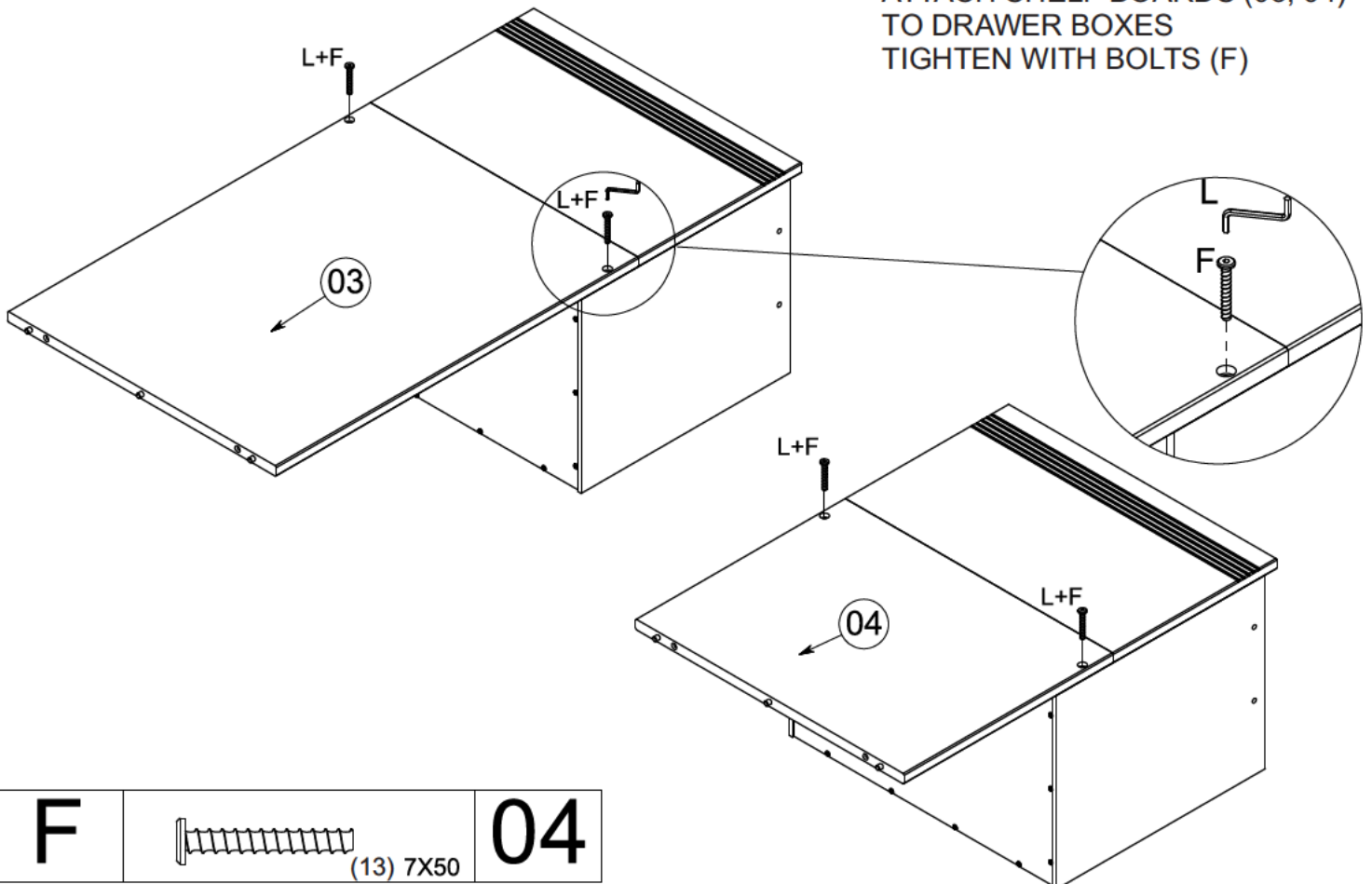


CP 3,5x30

02

STEP 6

ATTACH SHELF BOARDS (03, 04)
TO DRAWER BOXES
TIGHTEN WITH BOLTS (F)



F

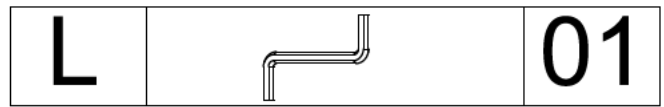
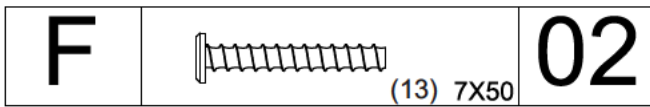
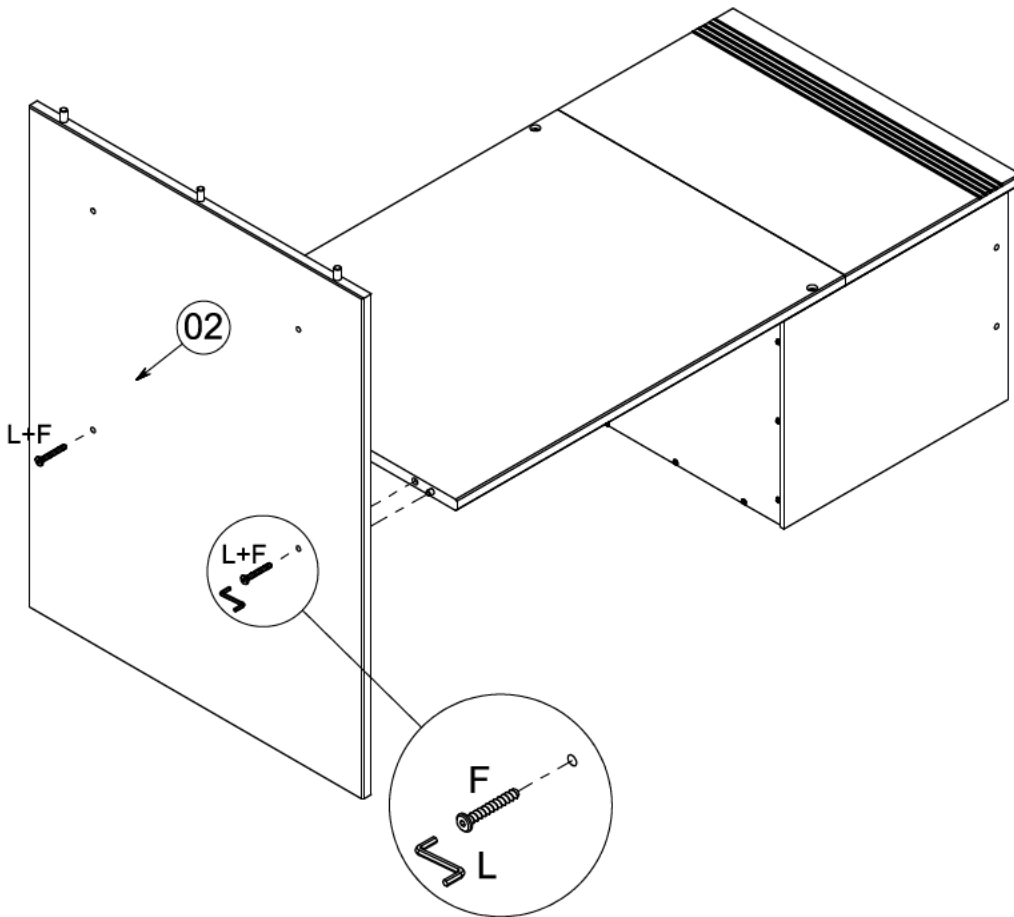


(13) 7X50

04

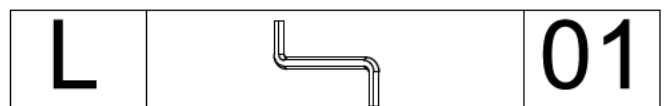
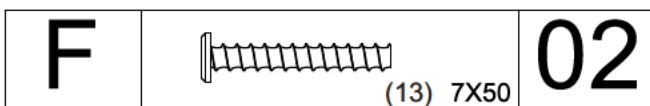
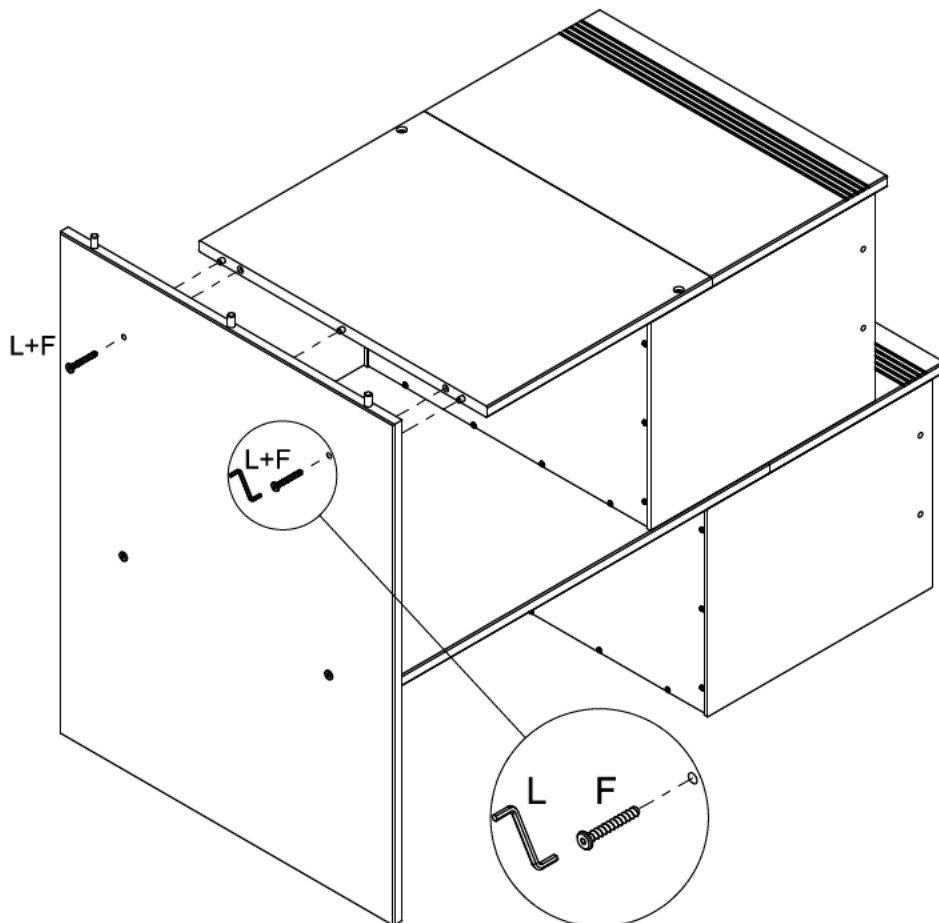
STEP 7

ATTACH PANEL (02) TO
SHELF BOARD (03)
TIGHTEN WITH BOLTS (F)



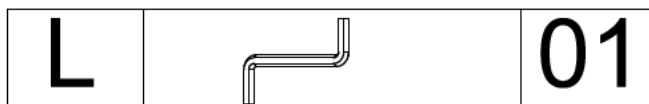
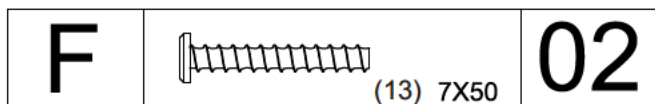
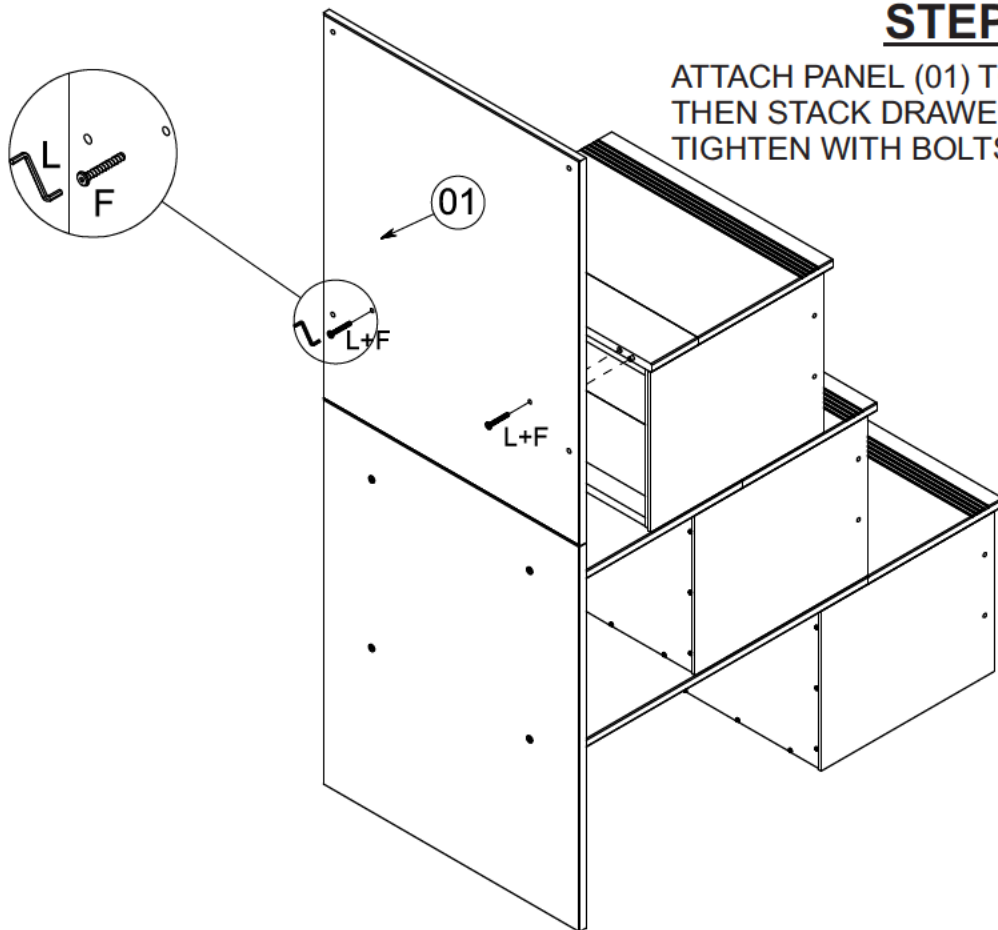
STEP 8

STACK DRAWER BOX WITH
SHELF BOARD (04)
ATTACH TO PANEL (02)
TIGHTEN WITH BOLTS (F)



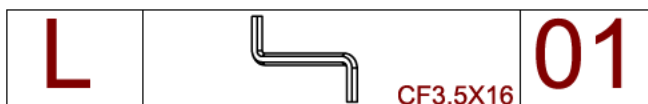
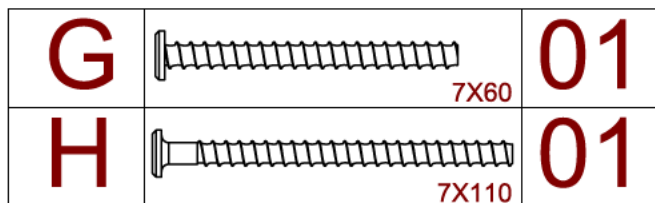
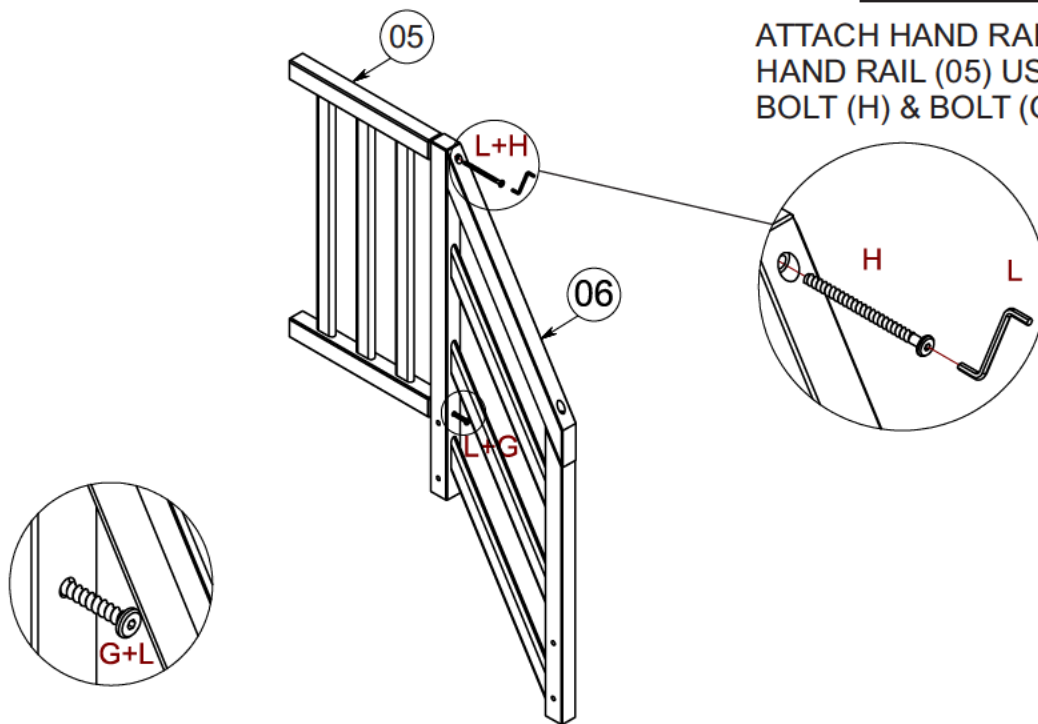
STEP 9

ATTACH PANEL (01) TO THE TOP OF PANEL (02)
THEN STACK DRAWER BOX WITH BOARD (08)
TIGHTEN WITH BOLTS (F)



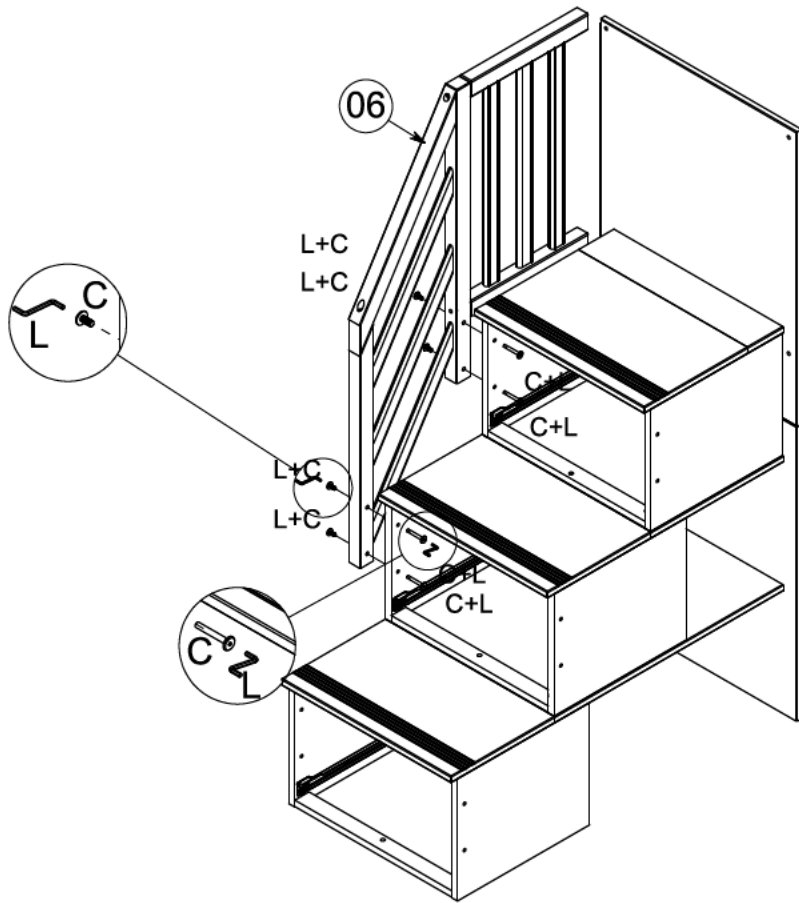
STEP 10

ATTACH HAND RAIL (06) TO
HAND RAIL (05) USING
BOLT (H) & BOLT (G). TIGHTEN



STEP 11

ATTACH HAND RAIL (06) TO THE MIDDLE & TOP DRAWER BOX USING SLEEVE BOLTS (C)



ATTENTION

HAND RAIL CAN ATTACH TO EITHER LEFT OR RIGHT OF STAIRCASE

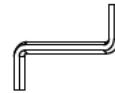
C



(13) 3/16X50

04

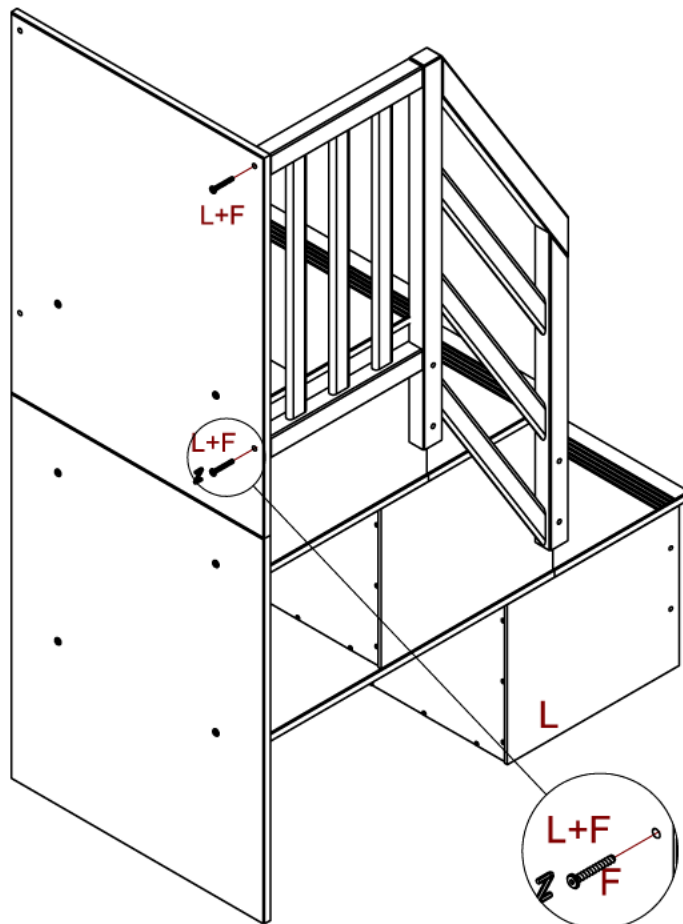
L



02

STEP 12

ATTACH HAND RAIL (05) TIGHTEN WITH BOLTS (F)



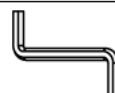
F



7X50

02

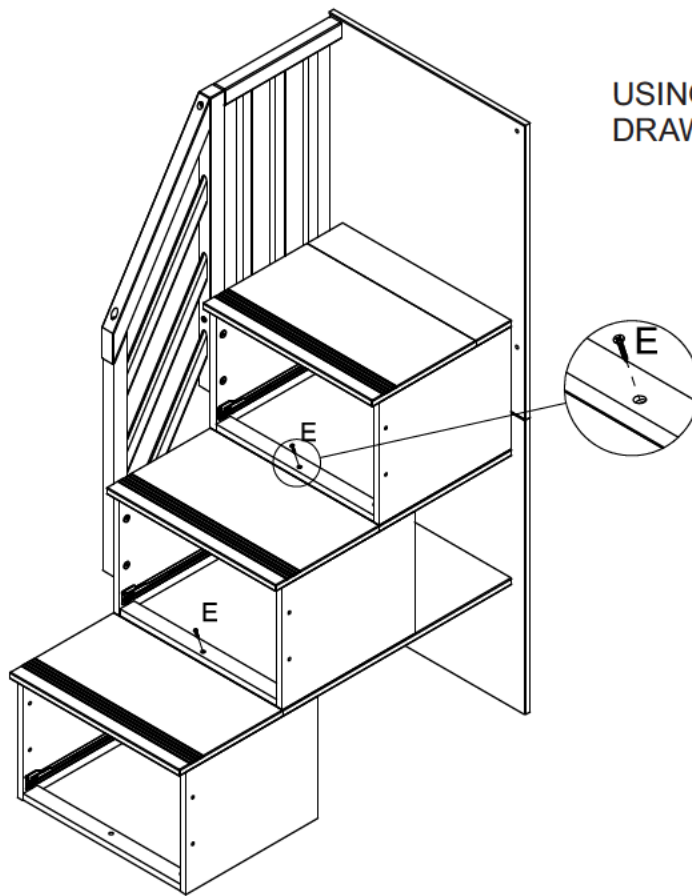
L



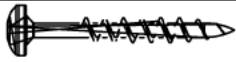
01

STEP 13

USING SCREWS (E) ATTACH
DRAWER BOXES TOGETHER



E

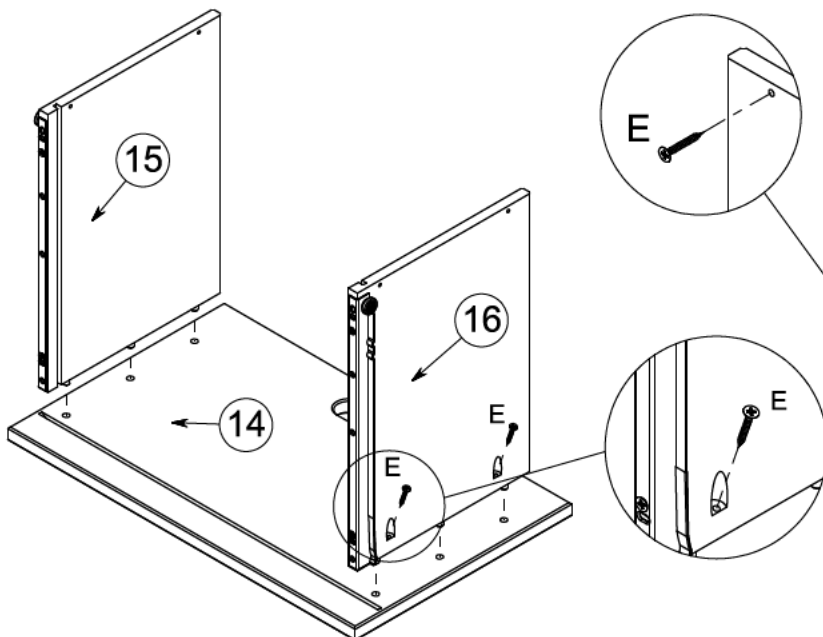


CP 3,5x30

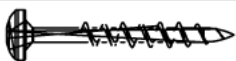
02

STEP 14

ATTACH DRAWER SIDES (15,16) TO
DRAWER FACE(14).
TIGHTEN WITH SCREWS (E)



E

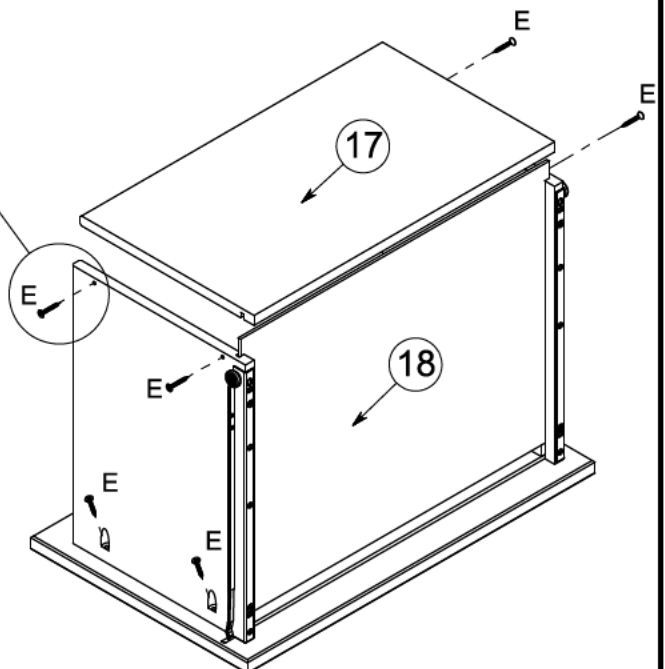


CP 3,5x30

24

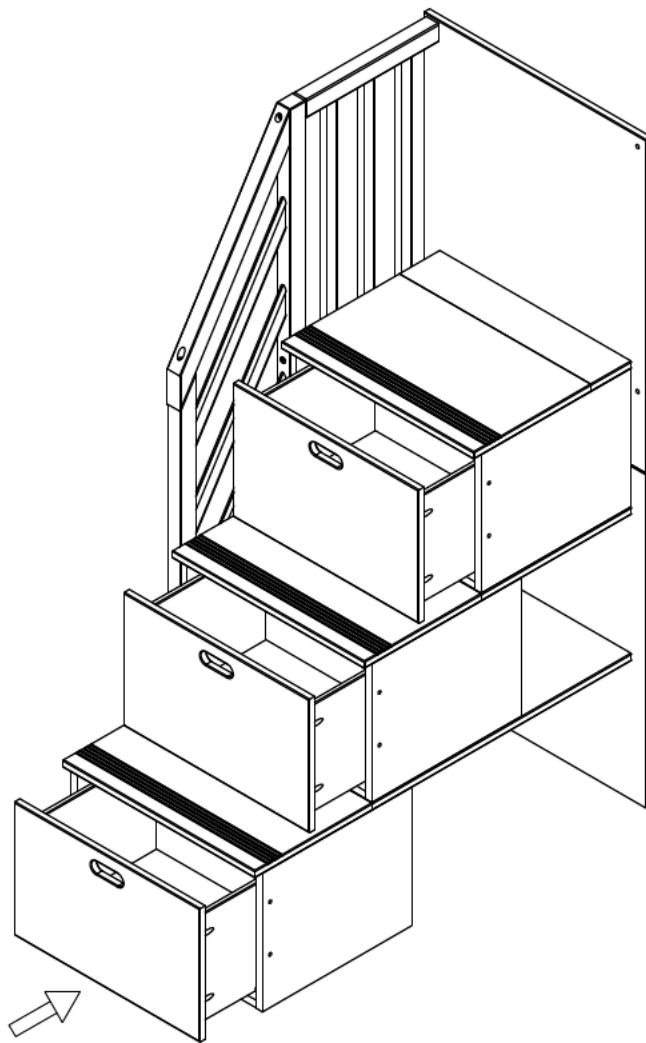
STEP 15

INSERT DRAWER BOTTOM (18) INTO GROOVE
IN DRAWER SIDES & FACE.
ALIGN GROOVE IN DRAWER BACK (17) WITH
DRAWER BOTTOM. TIGHTEN WITH SCREWS (E)



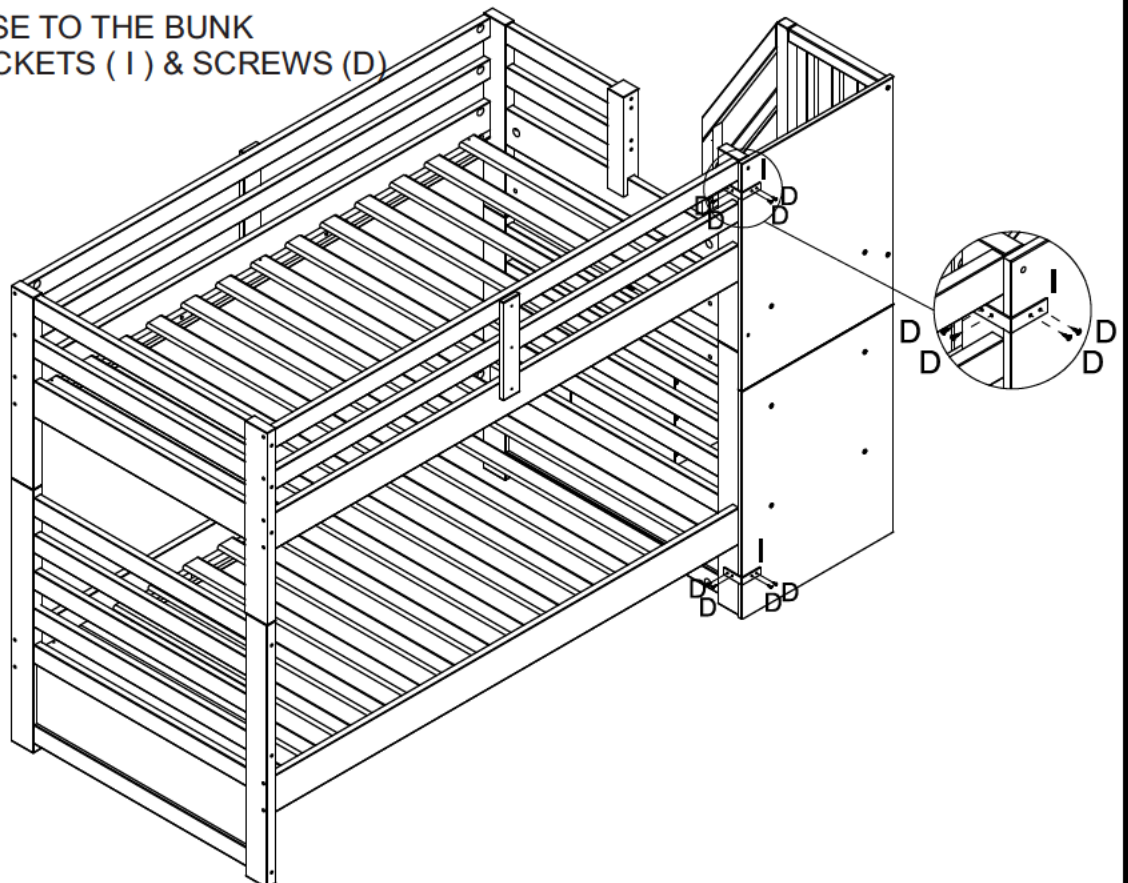
STEP 16

INSERT DRAWERS INTO THE DRAWER BOXES



STEP 17

ATTACH THE STAIRCASE TO THE BUNK BY USING ANGLE BRACKETS (I) & SCREWS (D)



I



75X75X25

02

D



CF3,5X16

08