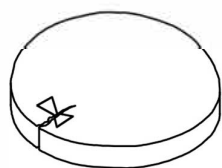


ASSEMBLY INSTRUCTIONS

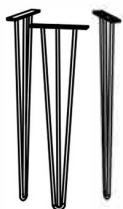
Do not fully tighten bolts & screws until the entire item is completely assembled.

Two People required for assembly.

Components



A
1 X



B
3 X



C
1 X

Tools Required

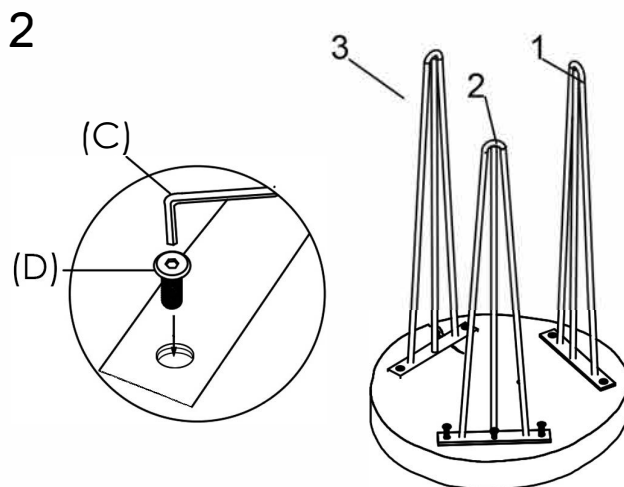
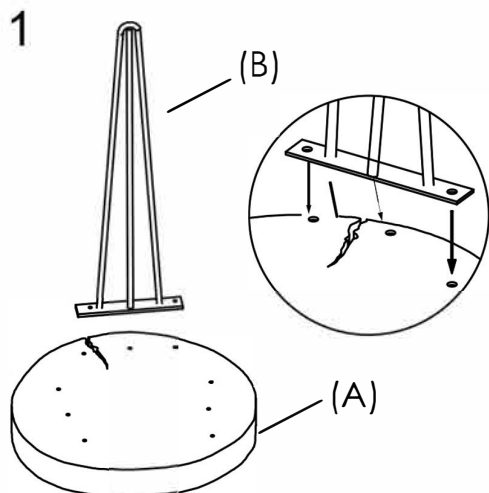
Power tools NOT recommended

Hardware

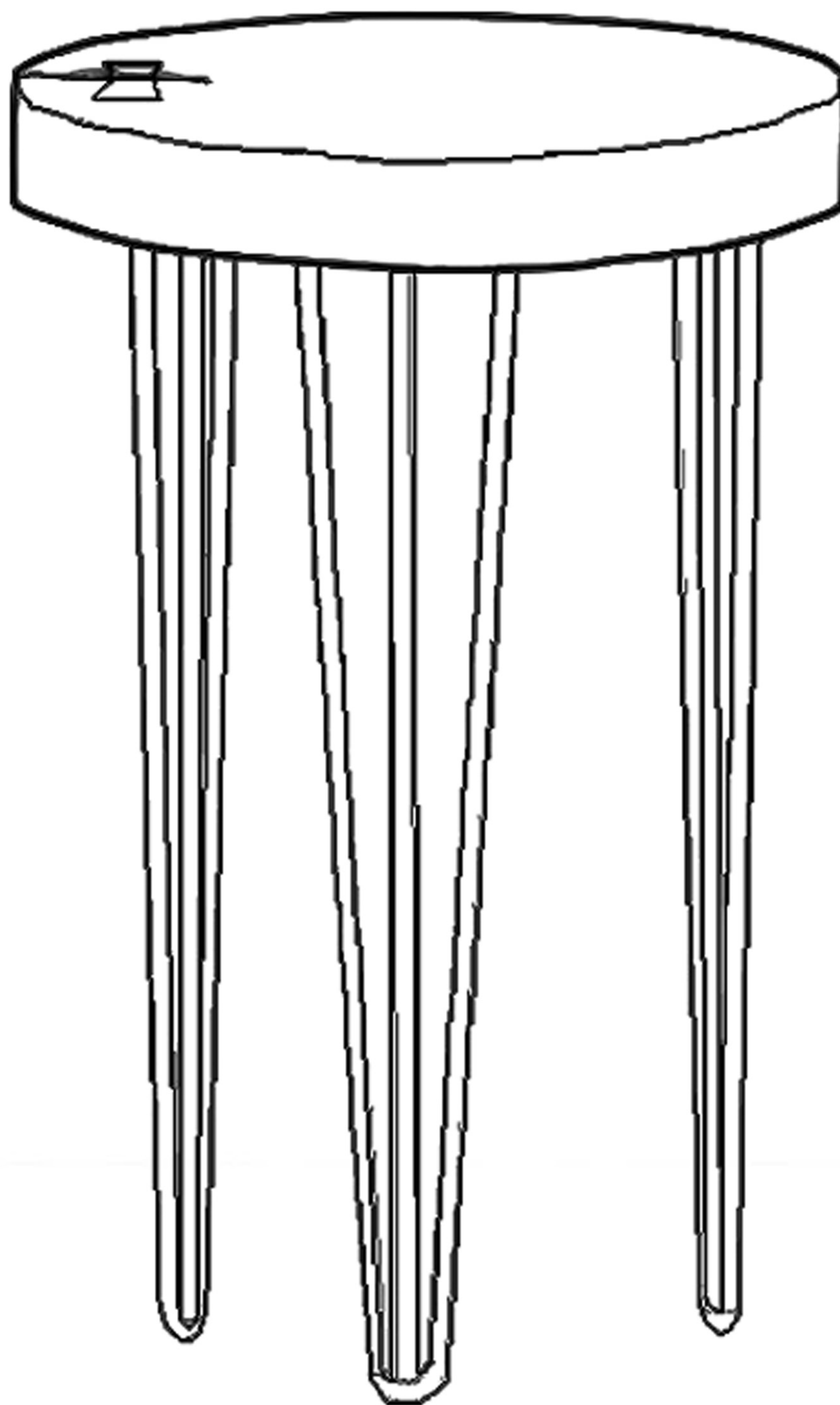


D
9 X

Assembly Instructions



For user safety periodically verify tighten all fittings



For user safety periodically verify tighten all fittings