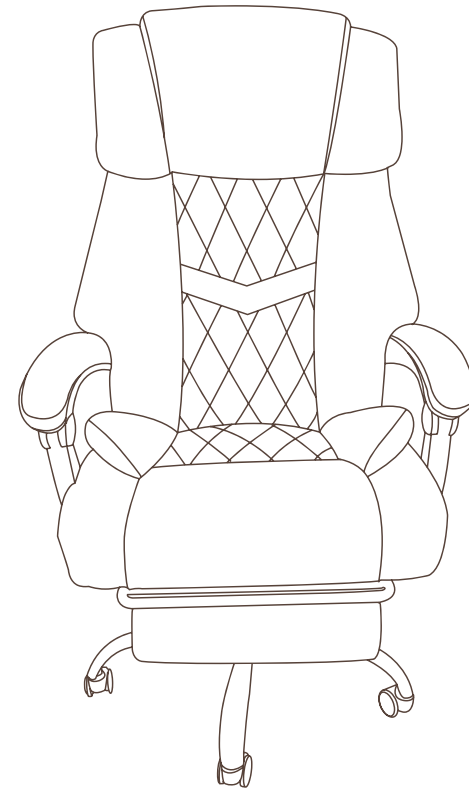


Office Chair

User Manual



Product specification

Product Name: Office chair

Size: 81*63*36 cm/ 31.9*24.8*14.1 inches

Net Weight: 21.10 kg/ 46.52 lbs

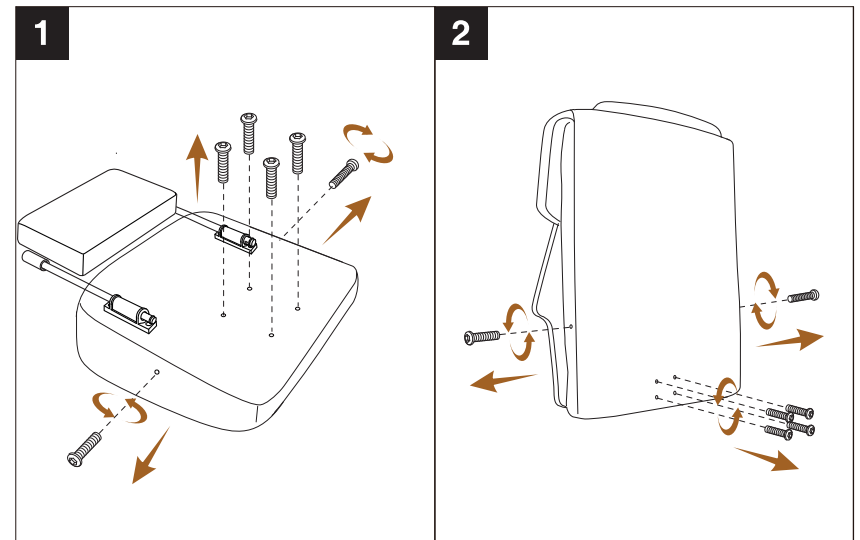
Gross Weight: 24.05 kg/ 53.02 lbs

ATTENTION

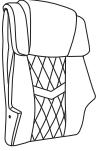

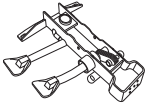

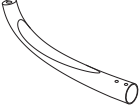

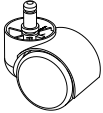


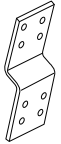

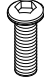





Some screws are pre-installed on the chair and are NOT included in the hardware pack.

Please check the screw number according to the instruction manual and look for it on the chair!

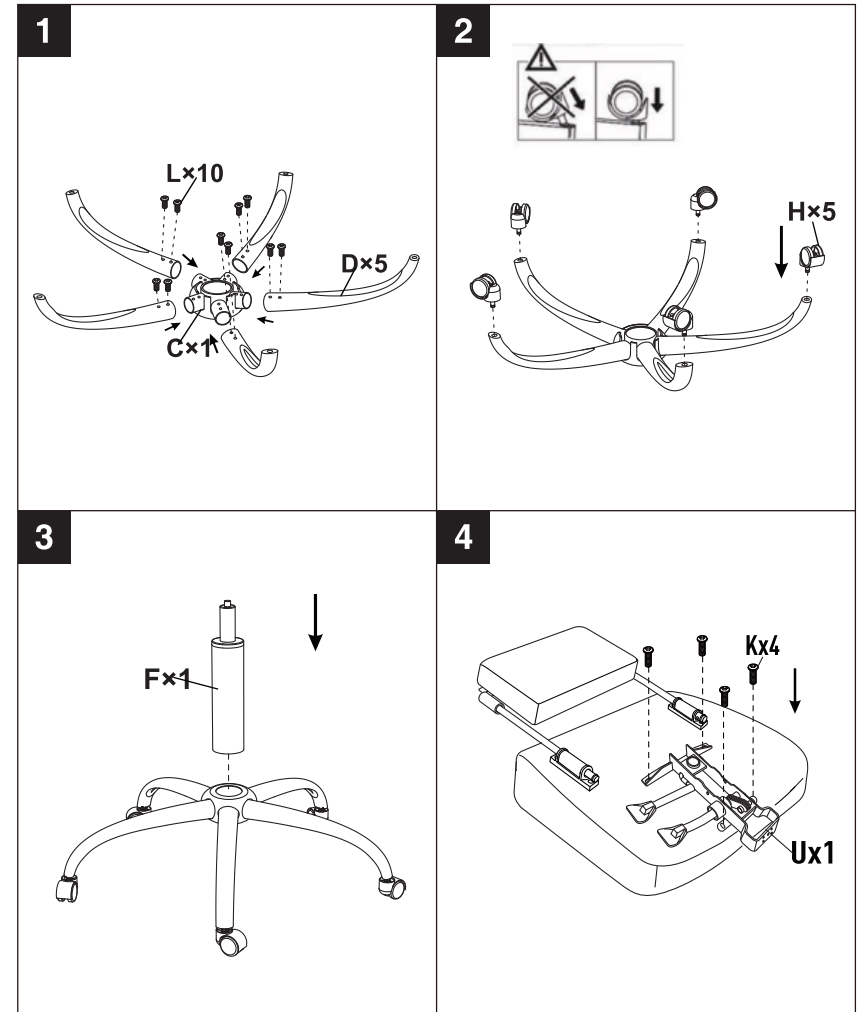
**Please remove
the pre-installed
screws before
installation**



PACKING LIST

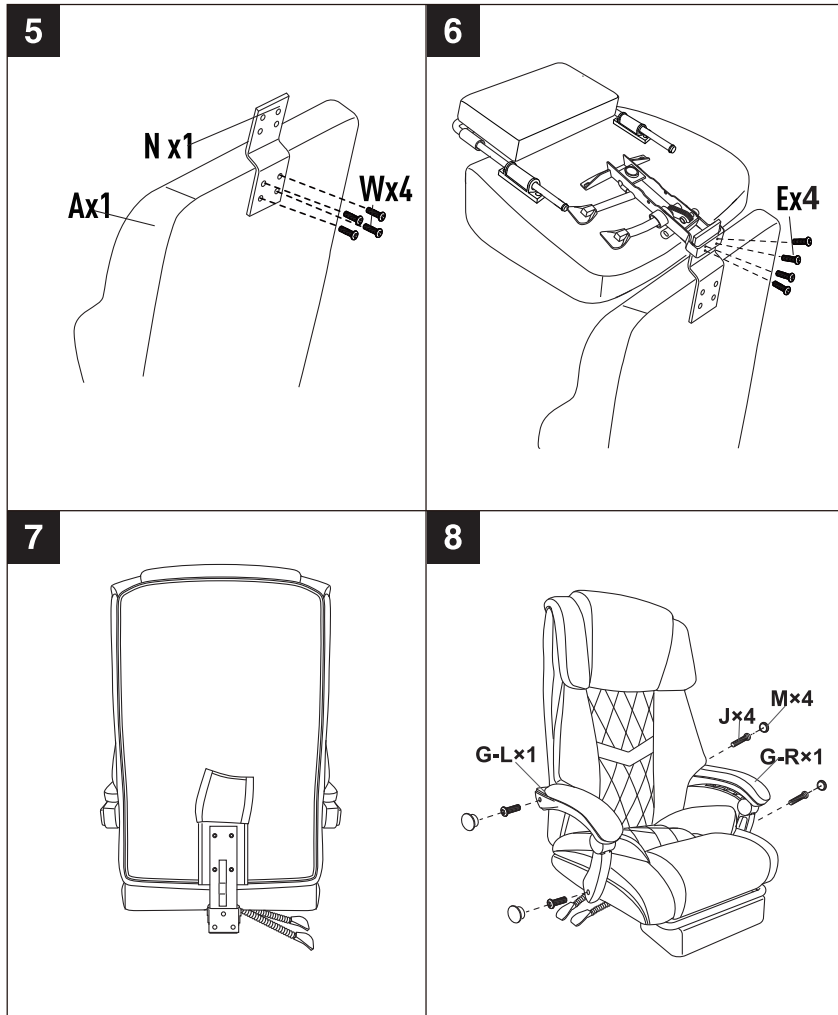
A*1 	B*1 	U*1 	C*1 	D*5 
F*1 	H*5 	G-L*1 	G-R*1 	N*1 
E*4  8*20mm	W*4  6*30mm	J*4  8*40mm	K*4  6*25mm	R*1 
L*10  6*14mm	M*4 			

INSTALLATION



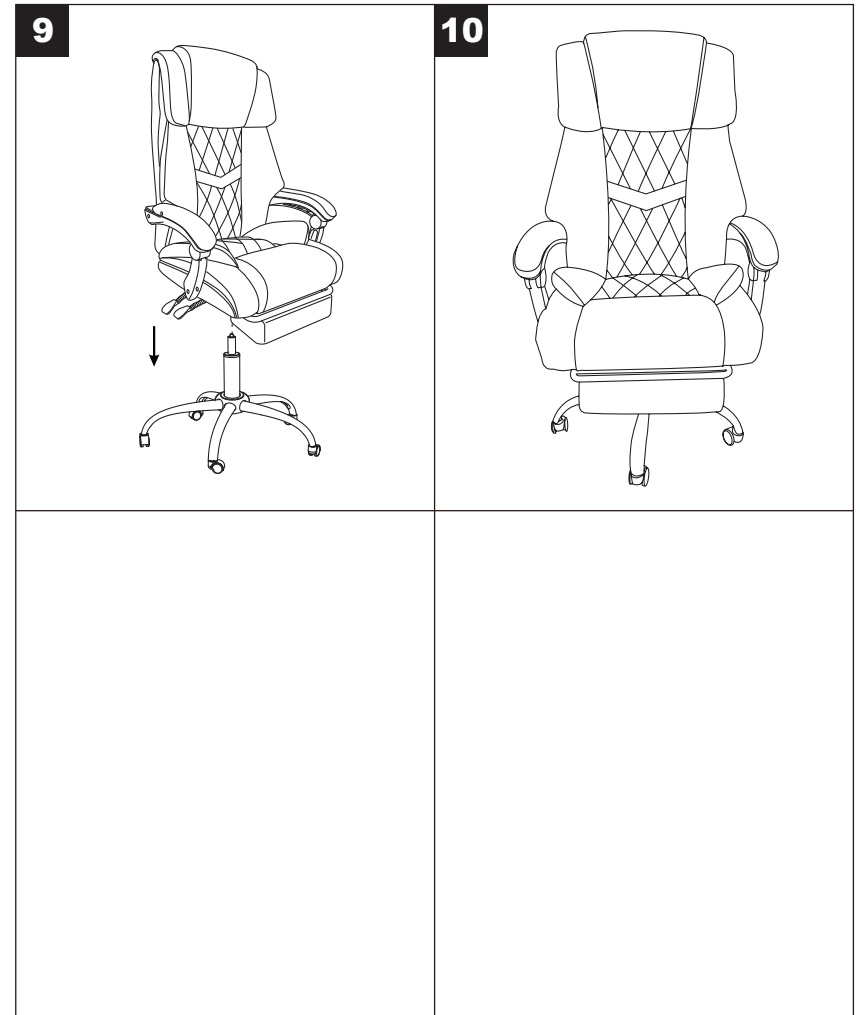
Note: All screws have been preassembled to the accessories. Please remove them from the accessories before assembling.

INSTALLATION



Note: All screws have been preassembled to the accessories. Please remove them from the accessories before assembling.

INSTALLATION



Note: All screws have been preassembled to the accessories. Please remove them from the accessories before assembling.

TROUBLESHOOTING

Fault conditions	Possible causes	Exclusion method
The product is shaking and unstable	<ol style="list-style-type: none">1. Wrong screw installation2. The screw is broken3. Check that the screws are not tightened in place	<ol style="list-style-type: none">1. According to the instruction manual, install the correct screw in the correct position2. To replace, use the included spare screws3. Tighten the loose screws

WARRANTY & SUPPORT

Thanks for purchasing our product. For any advice about the product or wanna know other products .

Your purchase and support will be our driving force!