

## Specifications:

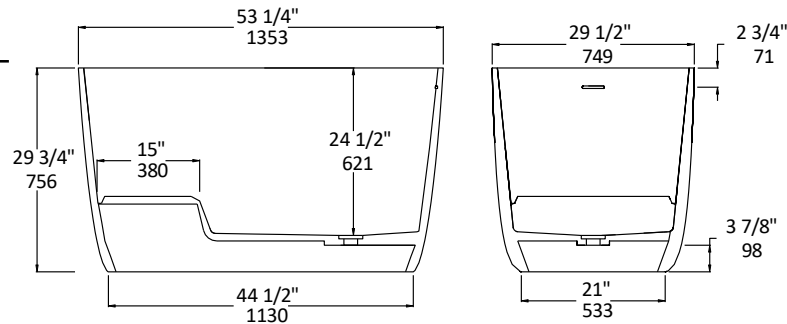
<b>Installation:</b>	Freestanding
<b>Exterior Dimensions:</b>	53 1/4" w x 29 1/2" d x 29 3/4" h
<b>Material:</b>	Solid surface
<b>Water capacity:</b>	84 gal.
<b>Weight:</b>	331 lbs.
<b>Overflow:</b>	Yes
<b>Finishes:</b>	001M- Matte white 001G- Gloss White

**Freight:** Class 5



## Features:

- Solid surface soaking tub with overflow
- TUB-ST stepping block in M-Matte white and G- Gloss white
- Includes brass click-clack drain assembly with decorative solid surface dome
- Freestanding installation

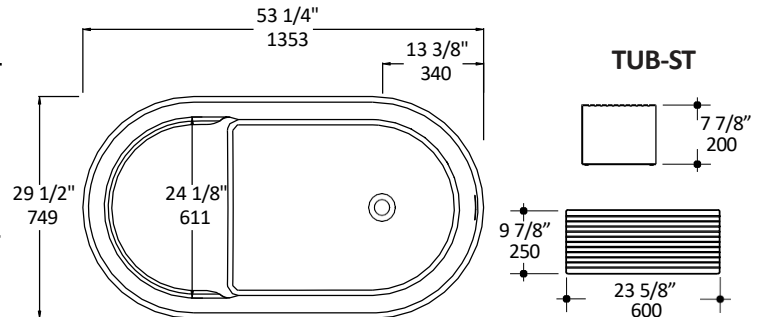


## Codes + Standards:

- Meets or exceeds applicable national codes and standards

## Recommended Items:

- Furniture
  - TUB-BR01 tub bridge in wood
  - TUB-BR02 tub bridge in wood
  - TUB-BR03 tub bridge in solid surface
  - TUB-BR04 tub bridge in metal
- Trap connections
  - TBSH90 - L-shaped 90 degree brass tub shoe
  - TBSH180 - Straight down 180 degree brass tub shoe



## Care + Maintenance:

- To prevent damage to the solid surface material, hot objects and open flame should not be placed in direct contact with the surface

[Click Here](#) to find out more about proper care and maintenance

LACAVA reserves the right to revise any dimension or information on this sheet without notice. Dimensions are nominal and may vary within an industry accepted tolerance of 1/4". Drawings provided herein are meant to give the user an idea of the product and are not made to scale.

Revised: 1/16/26