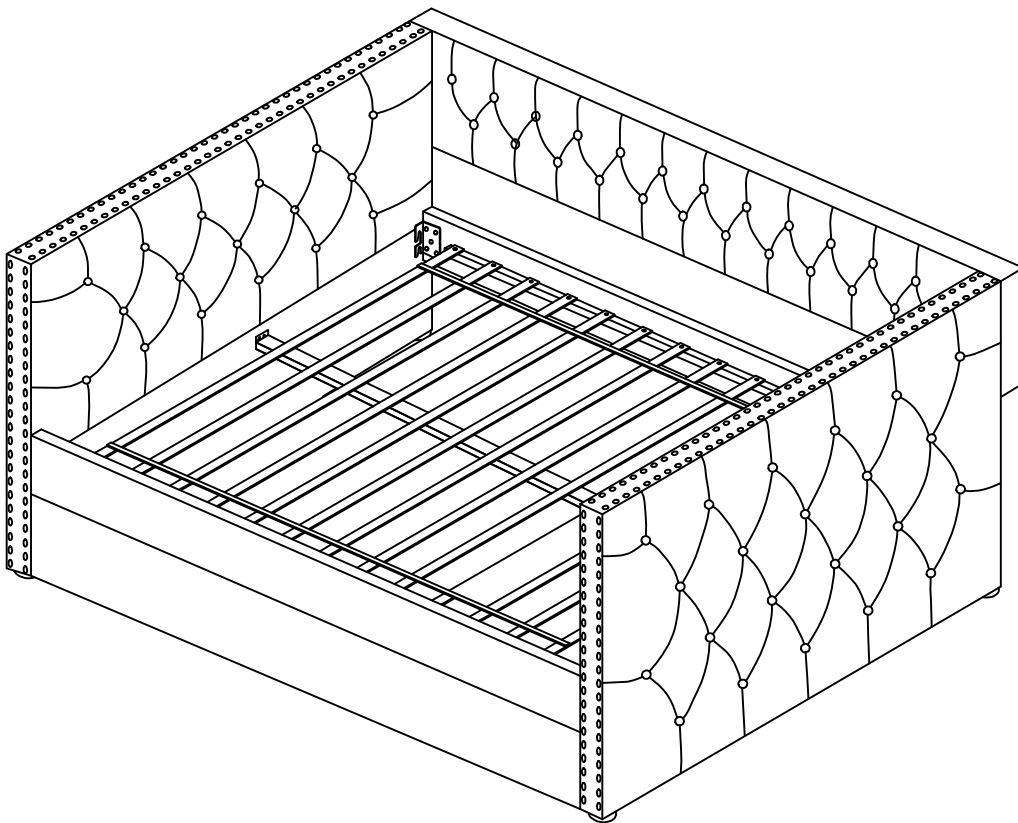


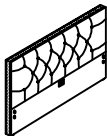
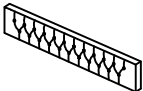

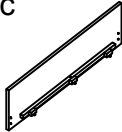
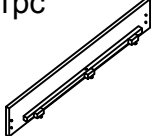
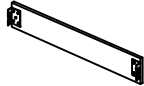
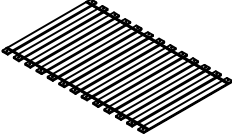
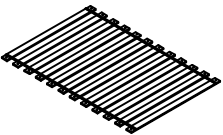
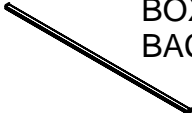
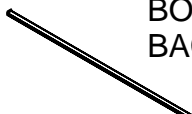

Day Bed

ASSEMBLY INSTRUCTIONS

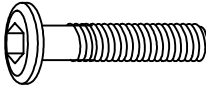
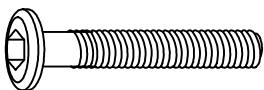
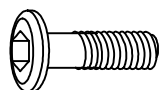


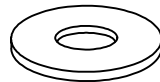
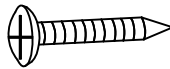
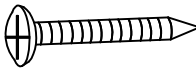
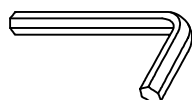


TWO PEOPLE ARE NEEDED TO ASSEMBLE THIS BUNK.

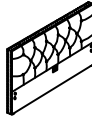
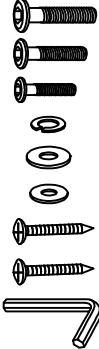
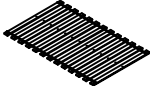
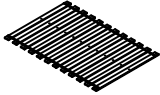

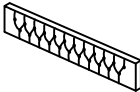
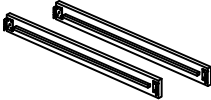
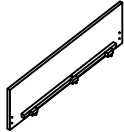
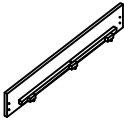
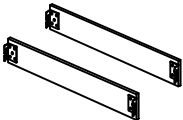
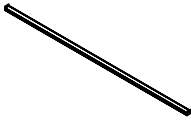

Parts List

<p>(1) Arm X 2pcs(L&R)  BOX ARM</p>	<p>(2) Top Back Panel X 1pc  BOX BACK</p>	<p>(3) Top Side Rails X 2pcs  BOX BACK</p>
<p>(4) Bottom Front Panel X 1pc  BOX BACK</p>	<p>(5) Bottom Back Panel X 1pc  BOX BACK</p>	<p>(6) Bottom Side Panels (Narrow) X 2pcs  BOX BACK</p>
<p>(7) Slats Up X 13pcs  BOX ARM</p>	<p>(8) Slats Down X 12pcs  BOX ARM</p>	<p>(9) Top Centre Wood Supportor(Long) X 1pc  BOX BACK</p>
<p>(10) Bottom Centre Wood Supportor (Short) X 1pc  BOX BACK</p>	<p>(11) Plastic feet X 4pcs  BOX ARM</p>	

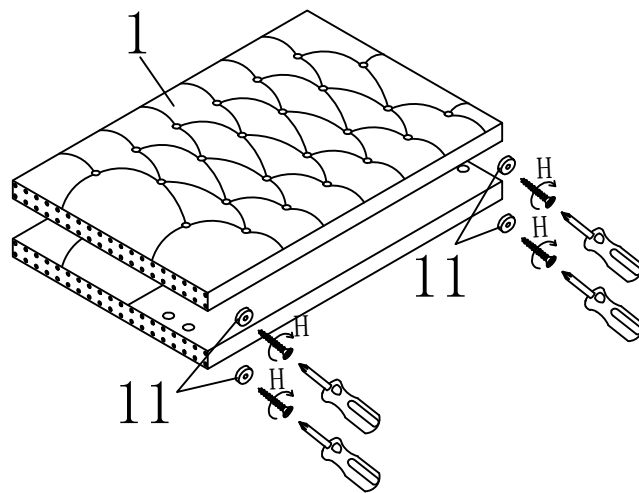
Hardware List BOX ARM

<p>(A) Bolt 5/16 X 1-1/2" X 8 pcs </p>	<p>(B) Bolt 5/16 X 2-1/2" X 4 pcs </p>	<p>(C) Bolt 5/16 X 3/4" X 8 pcs </p>
<p>(D) Spring Washer M8 X 20 pcs </p>	<p>(E) Flat Washer M8,19MM X 16 pcs </p>	<p>(F) Flat Washer M8,22MM X 4 pcs </p>
<p>(G) Screw #8 X 1-1/4" X 75 pcs </p>	<p>(H) Screw #8 X 2" X 4 pcs </p>	<p>(I) Allen Key M5 X 1 pc </p>

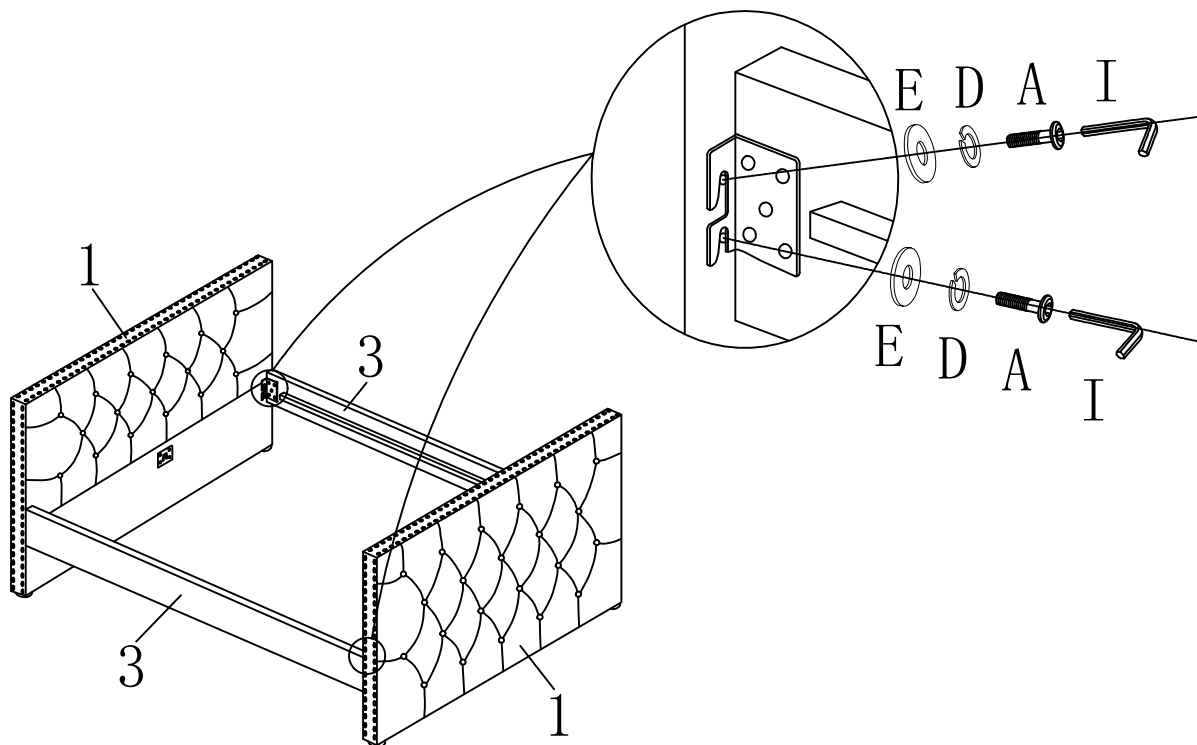
BOX CONTENTS

BOX	DESC.		PARTS	HARDWARE
5335-ARM (BOX 1)	Arm (L&R)	#1		
	Slat Up	#7		
	Slat Down	#8		
	Plastic Feet	#11		
5335-BACK (BOX 2)	Top Back Panel	#2		
	Top Side Rail	#3		
	Bottom Front Panel	#4		
	Bottom Back Panel	#5		
	Bottom Side Panels	#6		
	Top Center Wood Supportor(Long)	#9		
	Bottom Center Wood Supportor (Short)	#10		

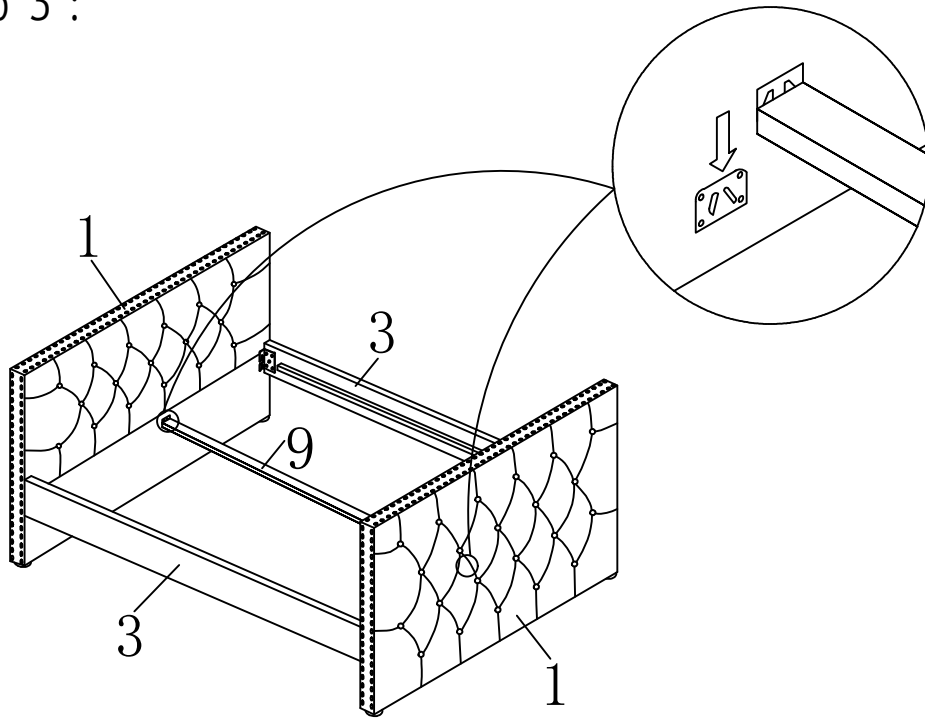
Step 1 :



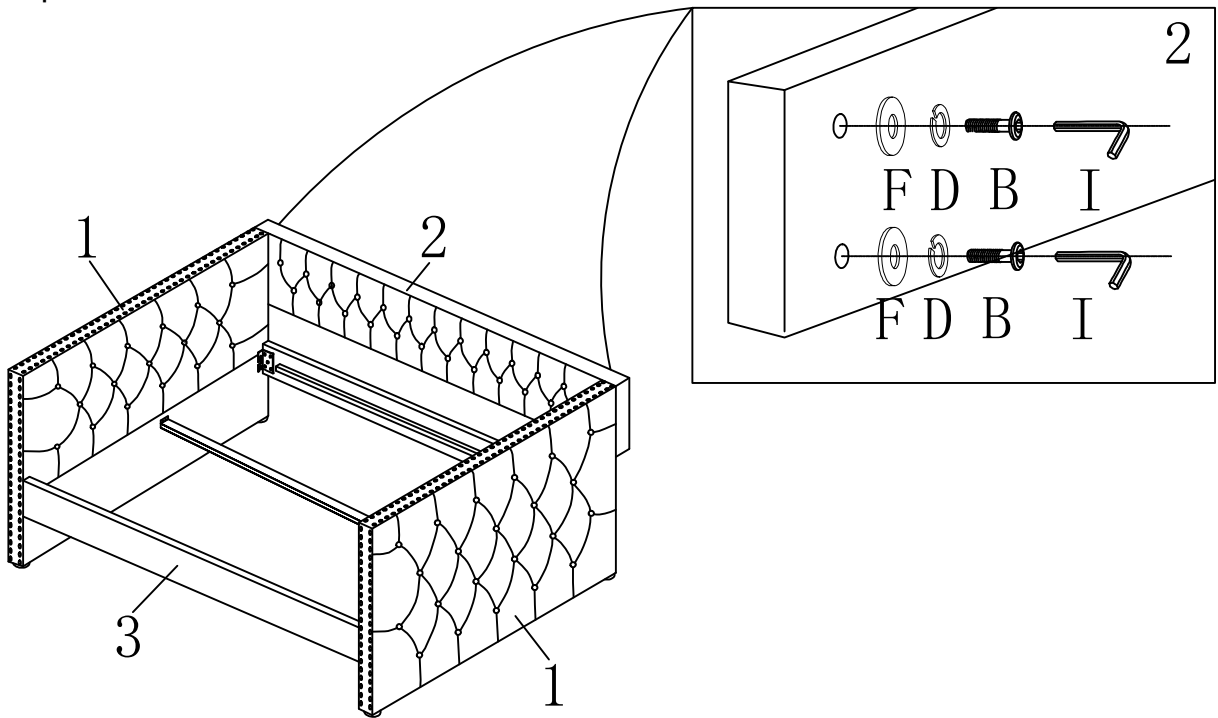
Step 2 :



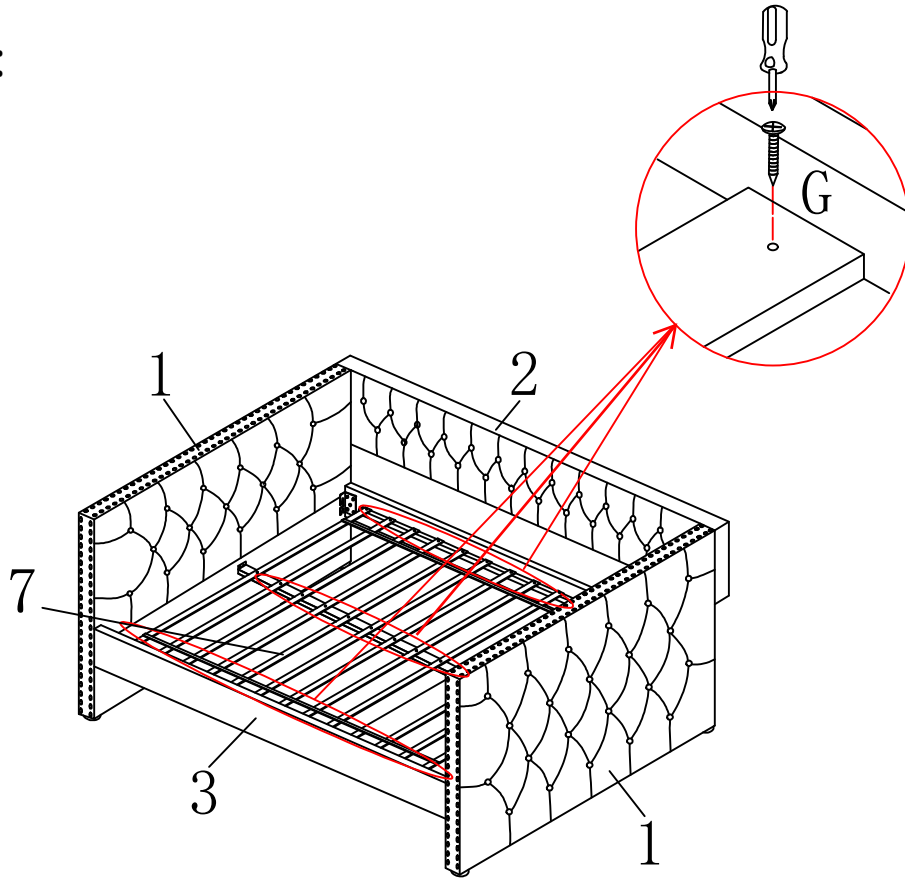
Step 3 :



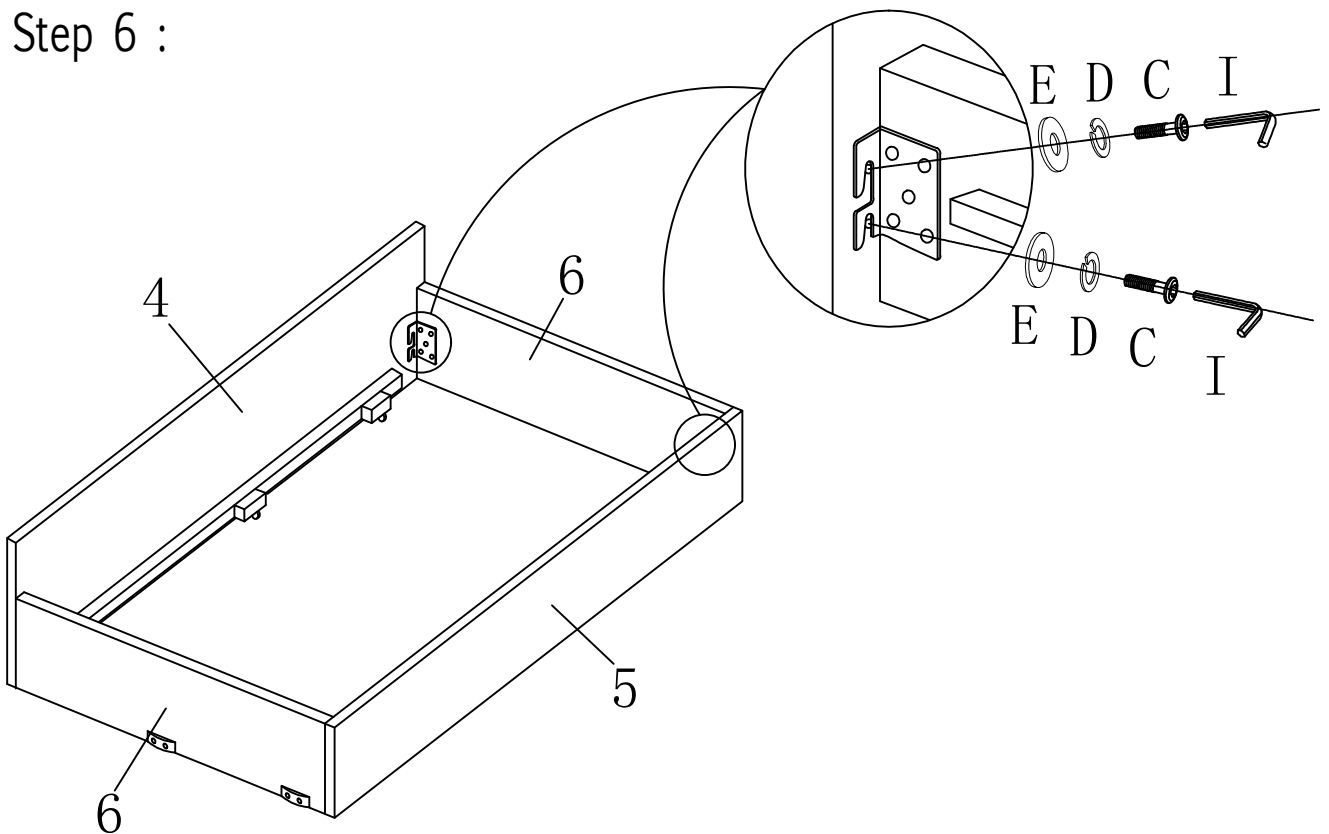
Step 4 :



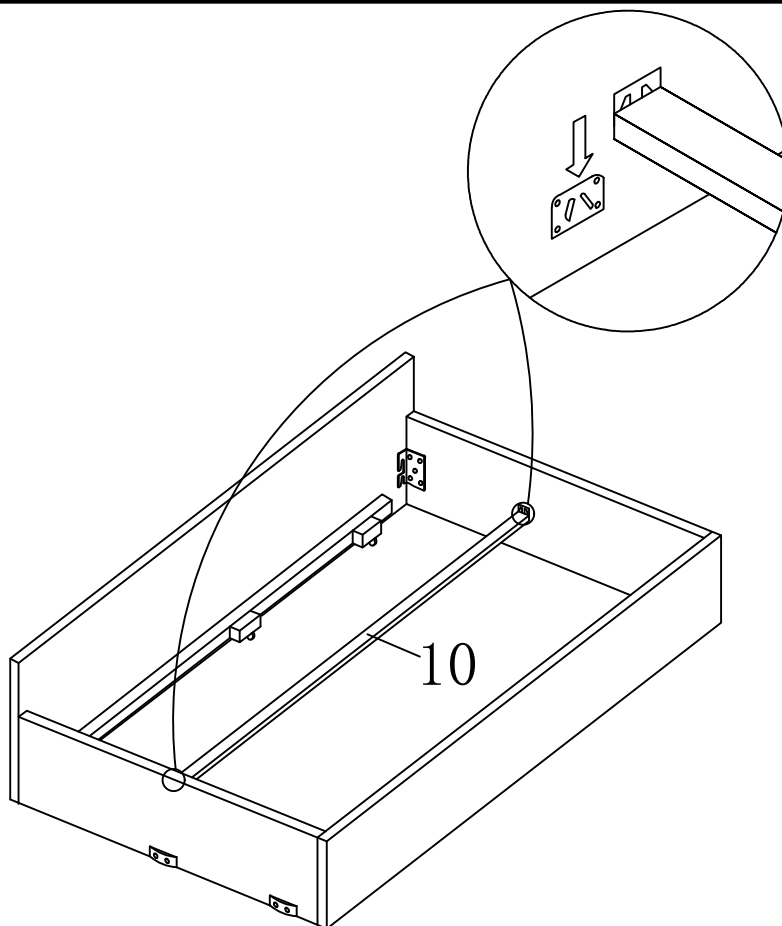
Step 5 :



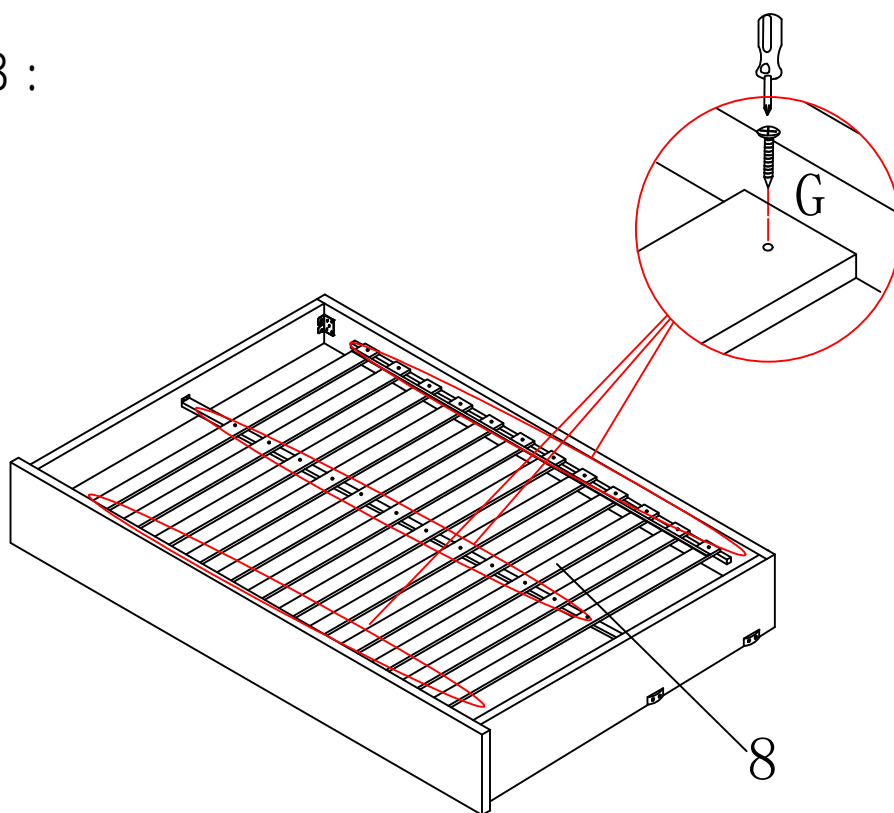
Step 6 :



Step 7 :



Step 8 :



Step 9 :

