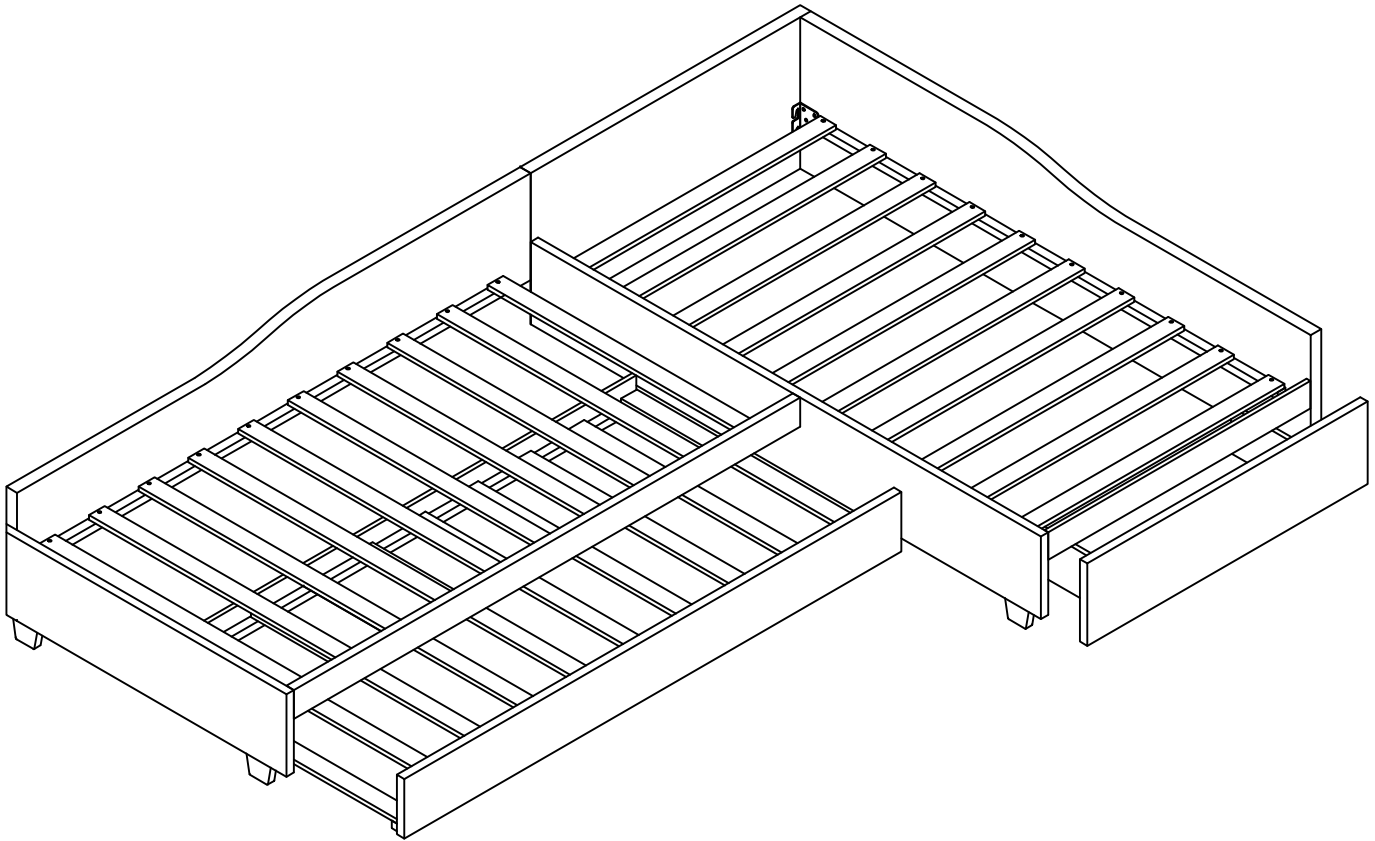


# ASSEMBLY INSTRUCTIONS



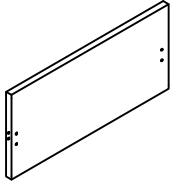
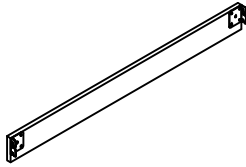
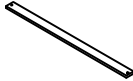

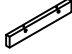

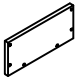
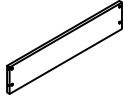
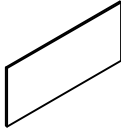
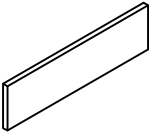
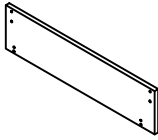
## IMPORTANT NOTE

- \*\*PLACE ALL PARTS ON A CLEAN AND SMOOTH SURFACE SUCH AS A RUG OR CARPET TO AVOID THE PARTS FROM BEING SCRATCHED**
- \*\* BEFORE YOU BEGIN , KINDY FOLLOW THE ASSEMBLY INSTRUCTIONS STEP BY STEP**
- \*\*DO NOT TIGHTEN ALL SCREWS AND BOLTS UNTIL THE BED IS FULLY SET-UP**

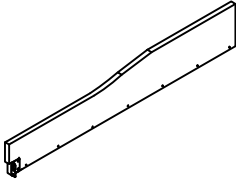
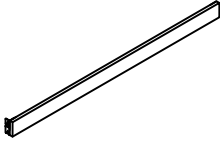
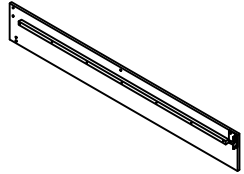
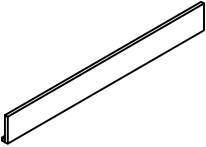
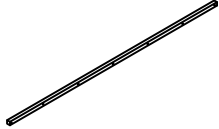
# ASSEMBLY INSTRUCTIONS

WF 298321 / WF 298322 / WF 298323

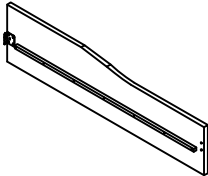
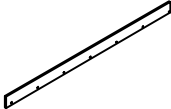

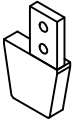


## PART LIST BOX 1: WF 298321

<p>1</p>  <p>Headboard Panel (1 pc)</p>	<p>2</p>  <p>Footboard Panel (1 pc)</p>	<p>3</p>  <p>Slat Roll (30 pcs) 985*60*15</p>
<p>4</p>  <p>Left Trundle Board (1pc)</p>	<p>5</p>  <p>Drawer Bottom Left Connector (1 pc)</p>	<p>6</p>  <p>Drawer Bottom Right Connector (2 pcs)</p>
<p>7</p>  <p>Drawer Side Panel (2 pcs)</p>	<p>8</p>  <p>Drawer Back Panel (1 pc)</p>	<p>9</p>  <p>Drawer Bottom Panel (1 pc)</p>
<p>10</p>  <p>Drawer Front Panel (1pc)</p>	<p>11</p>  <p>Trundle Bed Footboard (1 pc)</p>	

## PART LIST BOX 2: WF 298322

<p>12</p>  <p>Trundle Bed Left Side Rail (1 pc)</p>	<p>13</p>  <p>Trundle Bed Right Side Rail (1 pc)</p>	<p>14</p>  <p>Bed Left Side Rail (1 pc)</p>
<p>15</p>  <p>Trundle Front Panel (1 pc)</p>	<p>16</p>  <p>Trundle Side Rail Connector (1 pc)</p>	



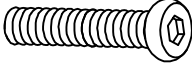
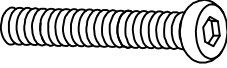
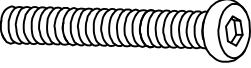
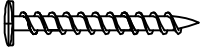
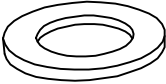
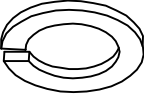

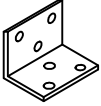


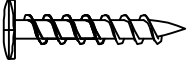
## PART LIST BOX 3: WF 298323

<p>17</p>  <p>Bed Right Side Rail (1 pc)</p>	<p>18</p>  <p>Trundle Back Panel (1 pc)</p>	<p>19</p>  <p>Bed Headboard Leg (2pcs) + Footboard Right Leg (1 pc)</p>
<p>20</p>  <p>Trundle Leg (2pcs) + Bed Footboard Left Leg (1 pc)</p>	<p>21</p>  <p>Trundle Back Panel Connector (1 pc)</p>	<p>22</p>  <p>Wheels (8 pcs) m41 x 25mm x 40mm</p>

# ASSEMBLY INSTRUCTIONS

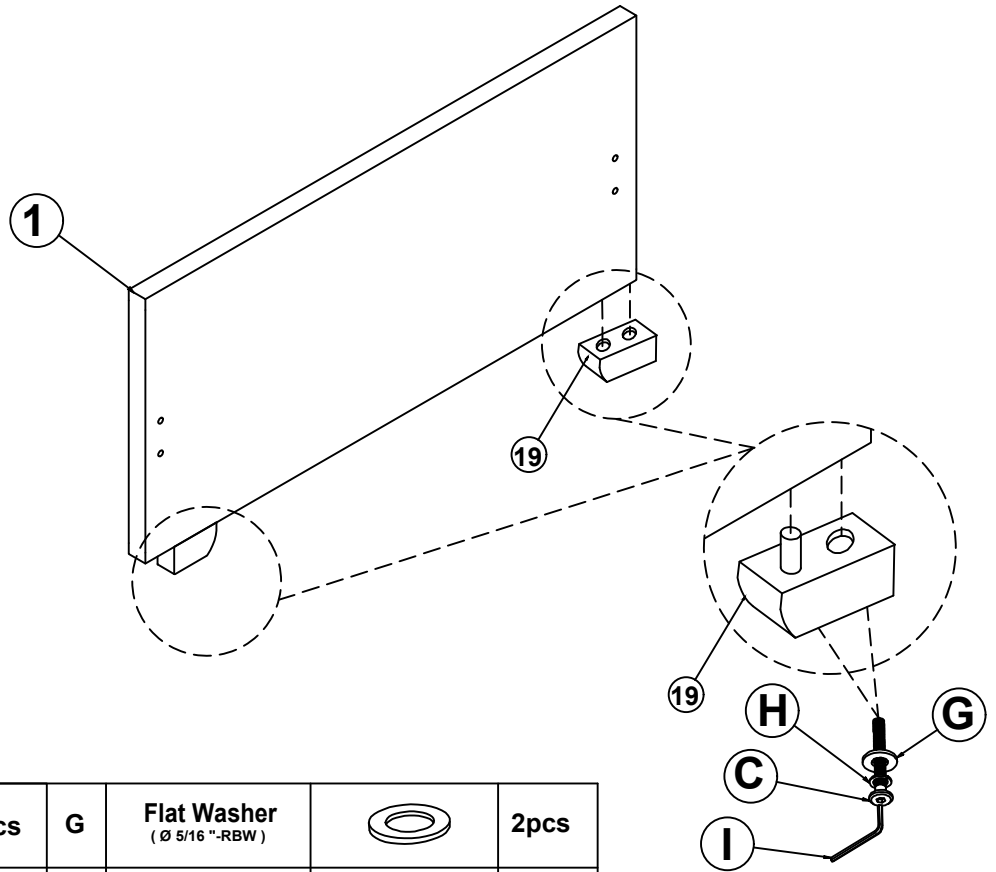
WF 298321 / WF 298322 / WF 298323





## HARDWARE LIST IN WF 298321

<p><b>A</b></p>  <p>(<math>\varnothing</math> 5/16 "X20mm) <b>Short Bolt (14pcs)</b></p>	<p><b>B</b></p>  <p>(<math>\varnothing</math> 5/16 "X38mm) <b>Long Bolt (8 pcs)</b></p>	<p><b>C</b></p>  <p>(<math>\varnothing</math> 5/16 "X45mm) <b>Long Bolt (3 pcs)</b></p>
<p><b>D</b></p>  <p>(<math>\varnothing</math> 5/16 "X50mm) <b>Long Bolt (7 pcs)</b></p>	<p><b>E</b></p>  <p>(<math>\varnothing</math> 5/16 "X60mm) <b>Long Bolt (7 pcs)</b></p>	<p><b>F</b></p>  <p>( m4x30mm-RBW) <b>Flat Head Screw (64 pcs)</b></p>
<p><b>G</b></p>  <p>(<math>\varnothing</math> 5/16 "-RBW) <b>Flat Washer (39 pcs)</b></p>	<p><b>H</b></p>  <p>(<math>\varnothing</math> 5/16 "-RBW) <b>Spring Washer (39 pcs)</b></p>	<p><b>I</b></p>  <p>(M4x75mm x32mm) <b>Allen Wrench (1 pc)</b></p>
<p><b>J</b></p>  <p>( 38mmx38mmx25mmx2mm) <b>Square Patch (4 pcs)</b></p>	<p><b>K</b></p>  <p>(<math>\varnothing</math>10x10mmx10mm) <b>Plastic Button (12 pcs)</b></p>	<p><b>L</b></p>  <p>( m4x38mm-RBW) <b>Flat Head Screw (12 pcs)</b></p>
<p><b>M</b></p>  <p>( m4x15mm-RBW) <b>Flat Head Screw (56 pcs)</b></p>		

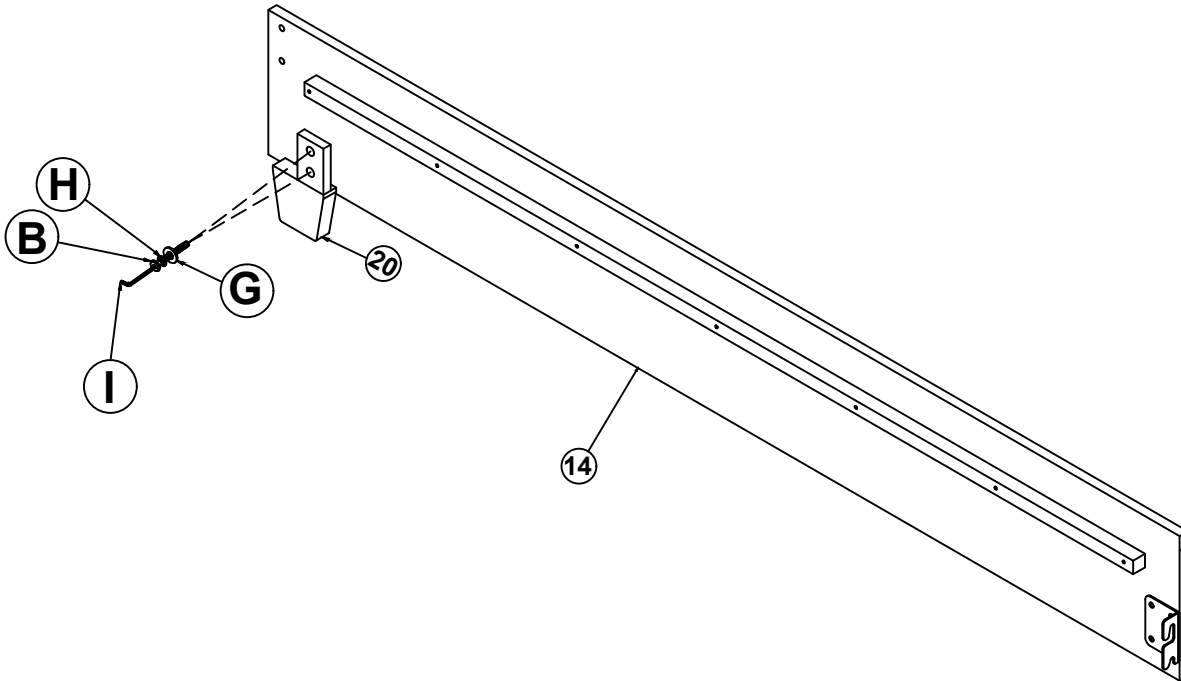
# ASSEMBLY INSTRUCTIONS





## STEP 1



C	<b>Bolt</b> (Ø 5/16 "X45mm)		2pcs	G	<b>Flat Washer</b> (Ø 5/16 "-RBW)		2pcs
H	<b>Spring Washer</b> (Ø 5/16 "-RBW)		2pcs	I	<b>Allen Wrench</b> (M4x75mm x32mm)		1pc

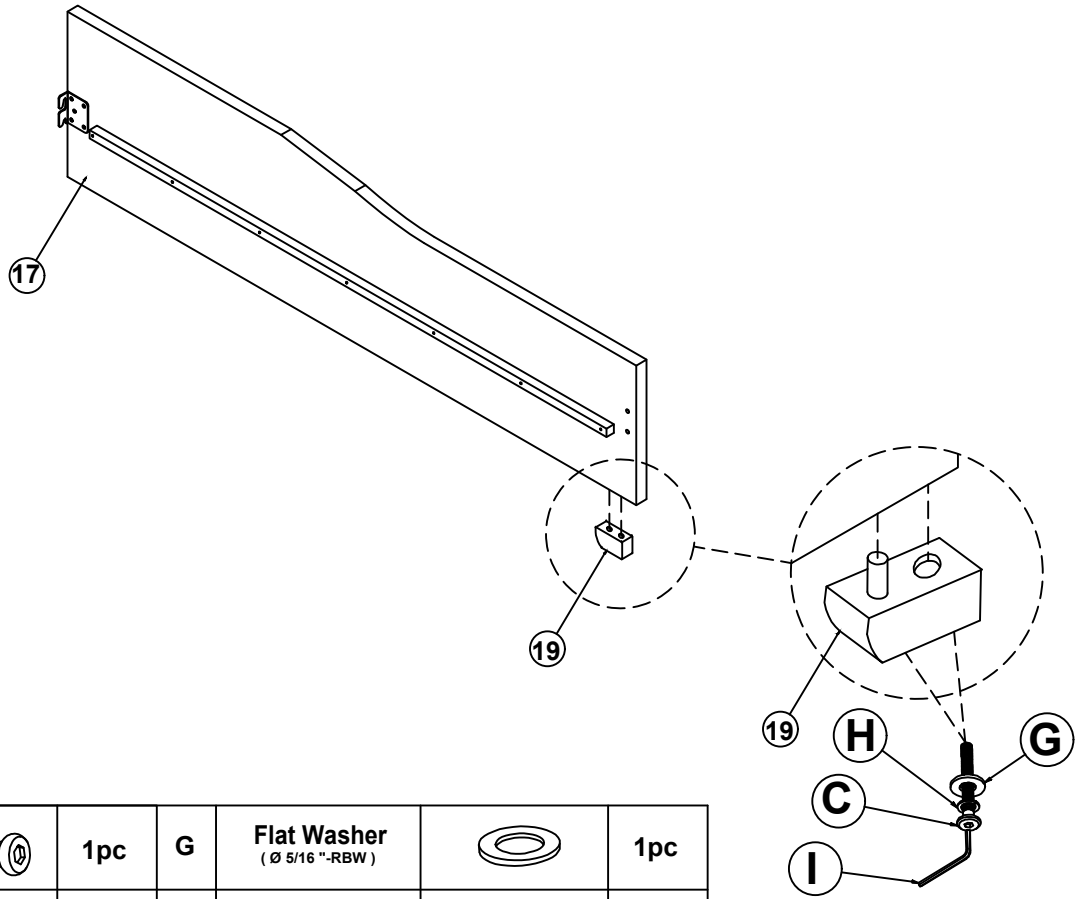
## STEP 2







B	<b>Bolt</b> (Ø 5/16 "X38mm)		2pcs	G	<b>Flat Washer</b> (Ø 5/16 "-RBW)		2pcs
H	<b>Spring Washer</b> (Ø 5/16 "-RBW)		2pcs	I	<b>Allen Wrench</b> (M4x75mm x32mm)		1pc

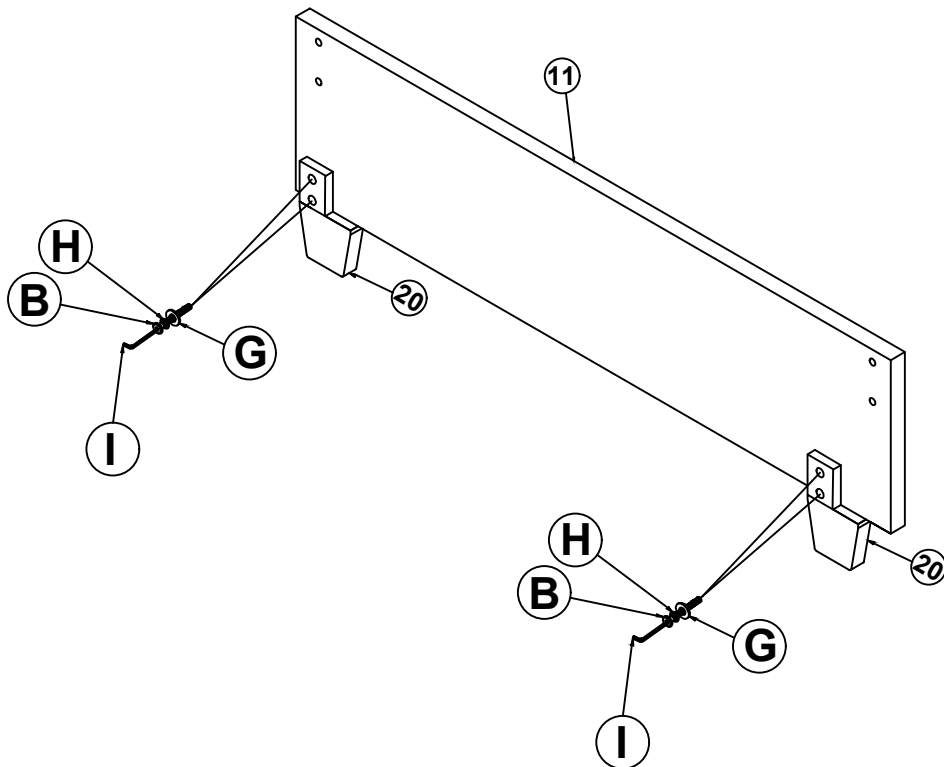
# ASSEMBLY INSTRUCTIONS





## STEP 3



C	<b>Bolt</b> (Ø 5/16 "X45mm)		1pc	G	<b>Flat Washer</b> (Ø 5/16 "-RBW)		1pc
H	<b>Spring Washer</b> (Ø 5/16 "-RBW)		1pc	I	<b>Allen Wrench</b> (M4x75mm x32mm)		1pc

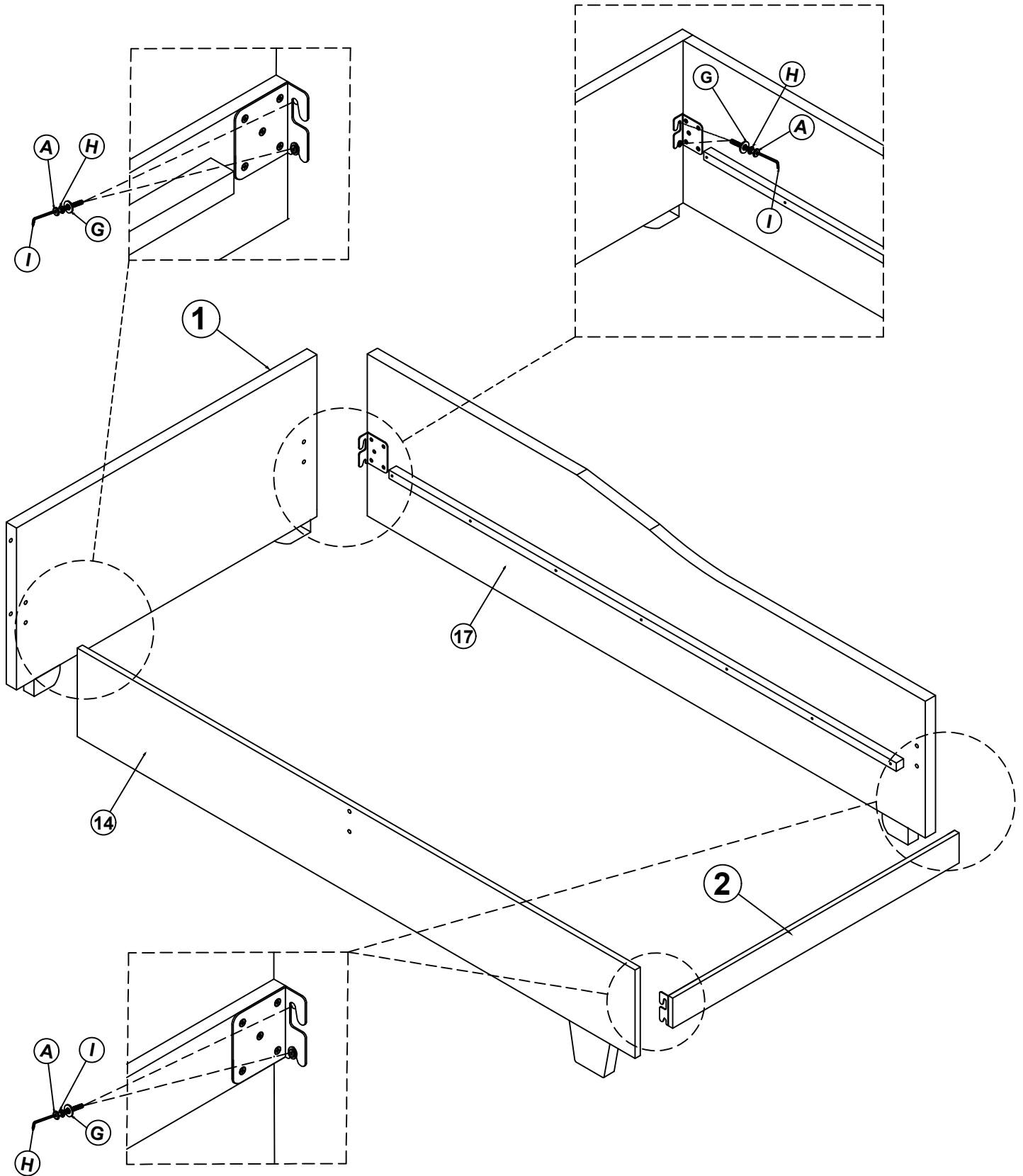
## STEP 4







B	<b>Bolt</b> (Ø 5/16 "X38mm)		4pcs	G	<b>Flat Washer</b> (Ø 5/16 "-RBW)		4pcs
H	<b>Spring Washer</b> (Ø 5/16 "-RBW)		4pcs	I	<b>Allen Wrench</b> (M4x75mm x32mm)		1pc

# ASSEMBLY INSTRUCTIONS

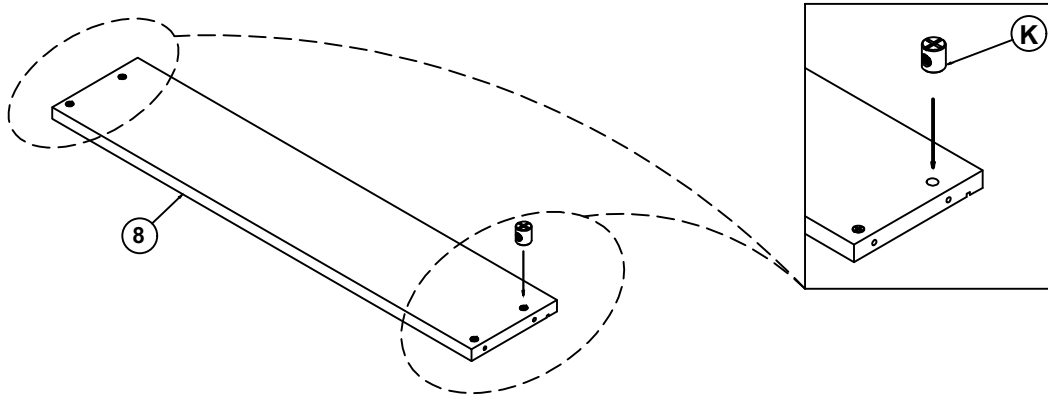
## STEP 5




<b>A</b>	<b>Bolt</b> (Ø 5/16 "X20mm)		<b>8pcs</b>	<b>G</b>	<b>Flat Washer</b> (Ø 5/16 "-RBW)		<b>8pcs</b>
<b>H</b>	<b>Spring Washer</b> (Ø 5/16 "-RBW)		<b>8pcs</b>	<b>I</b>	<b>Allen Wrench</b> (M4x75mm x32mm)		<b>1pc</b>

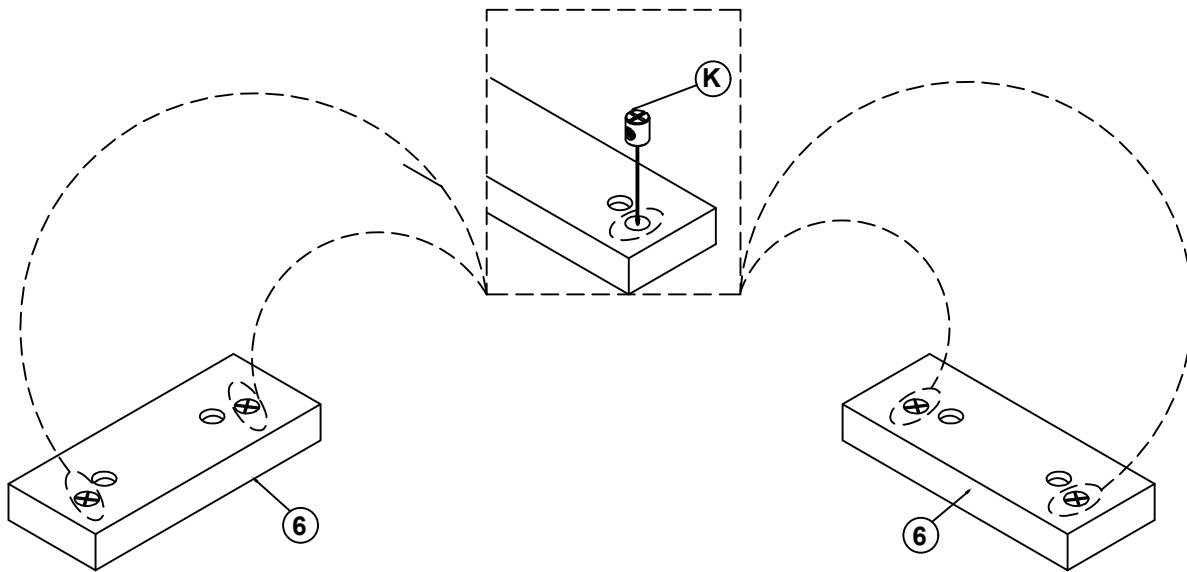
# ASSEMBLY INSTRUCTIONS

## STEP 6



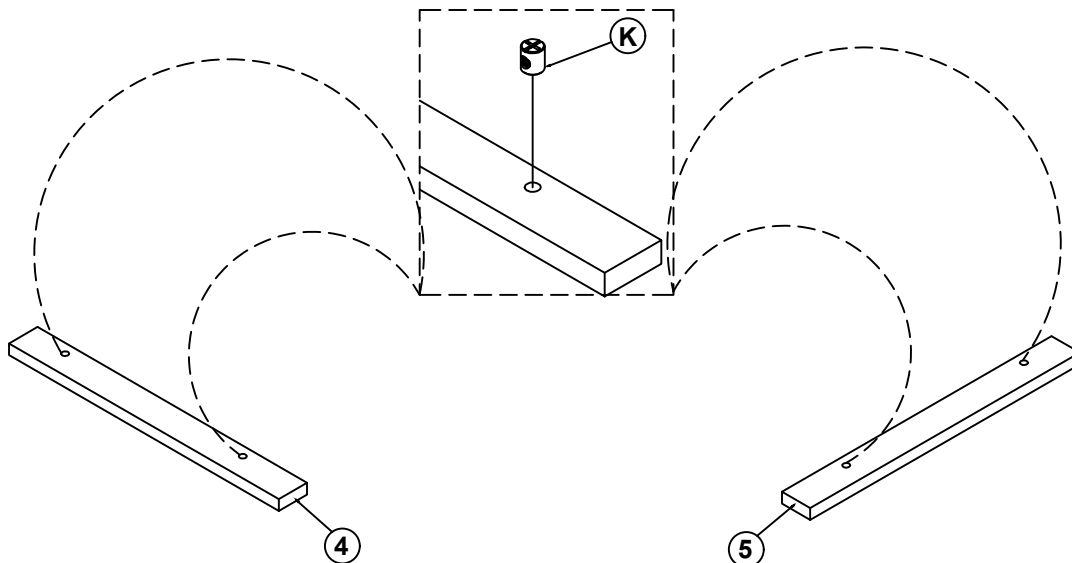
K	Plastic Button ( $\varnothing 10 \times 10 \text{mm} \times 10 \text{mm}$ )		4pcs
---	--	---	------


## STEP 7



K	Plastic Button ( $\varnothing 10 \times 10 \text{mm} \times 10 \text{mm}$ )		4pcs
---	--	---	------

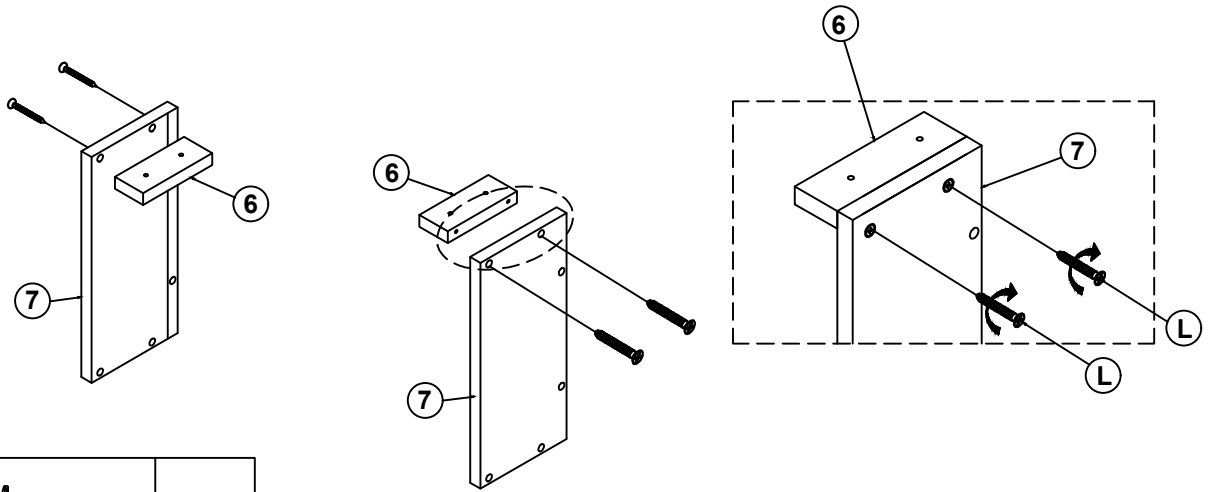
## STEP 8

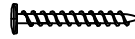


K	Plastic Button ( $\varnothing 10 \times 10 \text{mm} \times 10 \text{mm}$ )		4pcs
---	--	---	------

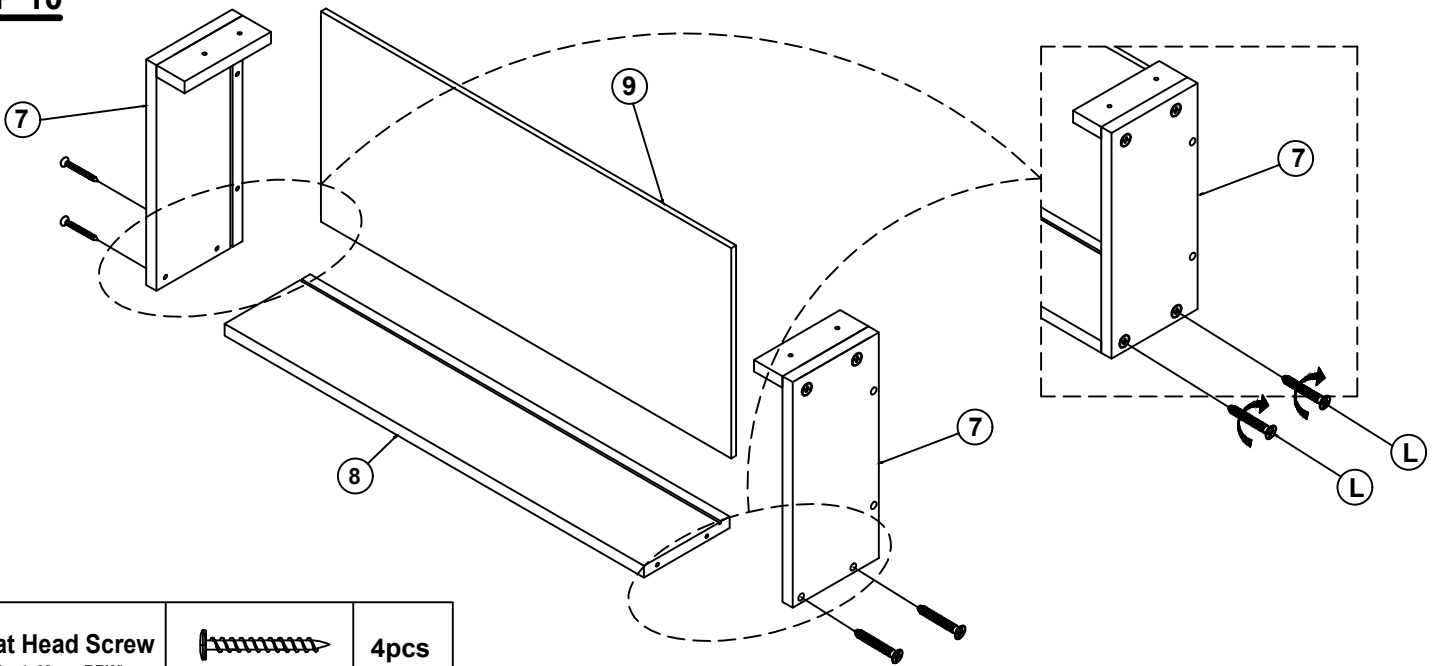
# ASSEMBLY INSTRUCTIONS

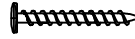
## STEP 9



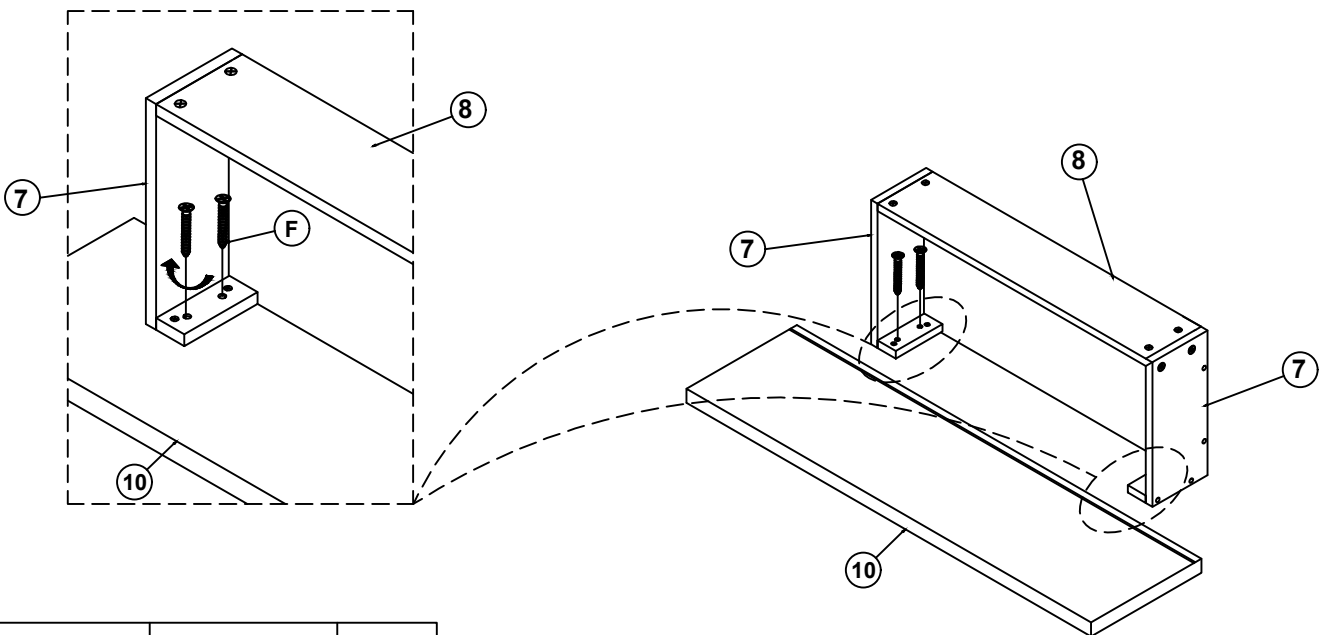
L	Flat Head Screw (m4x38mm-RBW)		4pcs
---	----------------------------------	---	------

## STEP 10



L	Flat Head Screw (m4x38mm-RBW)		4pcs
---	----------------------------------	---	------

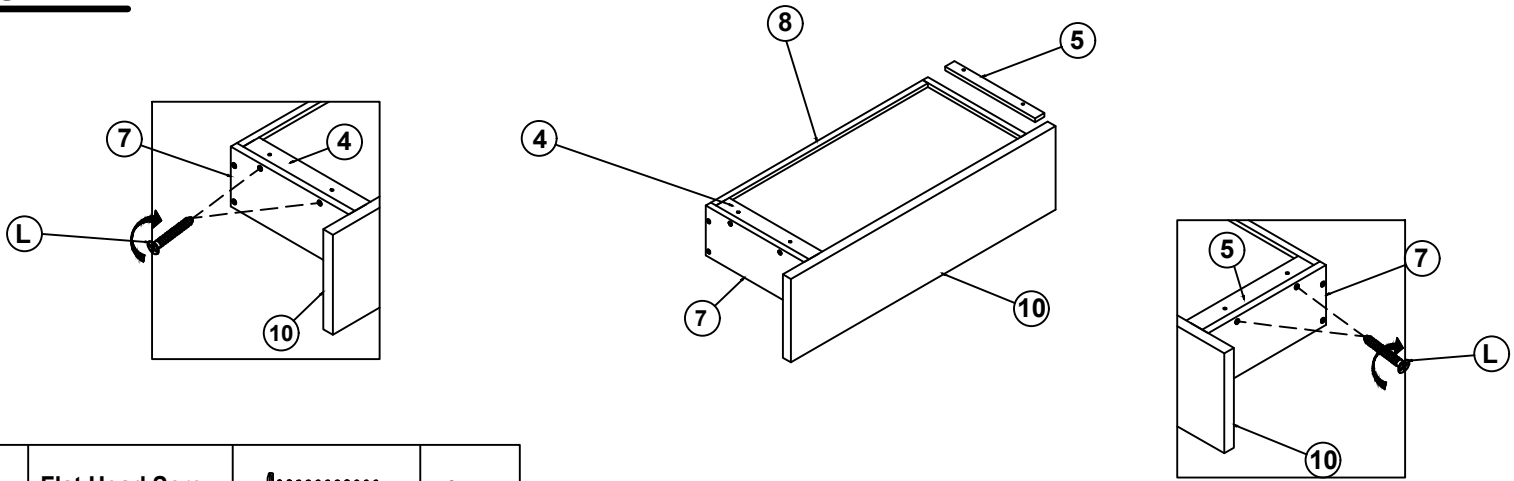
## STEP 11

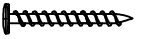


F	Flat Head Screw (m4x30mm-RBW)		4pcs
---	----------------------------------	---	------

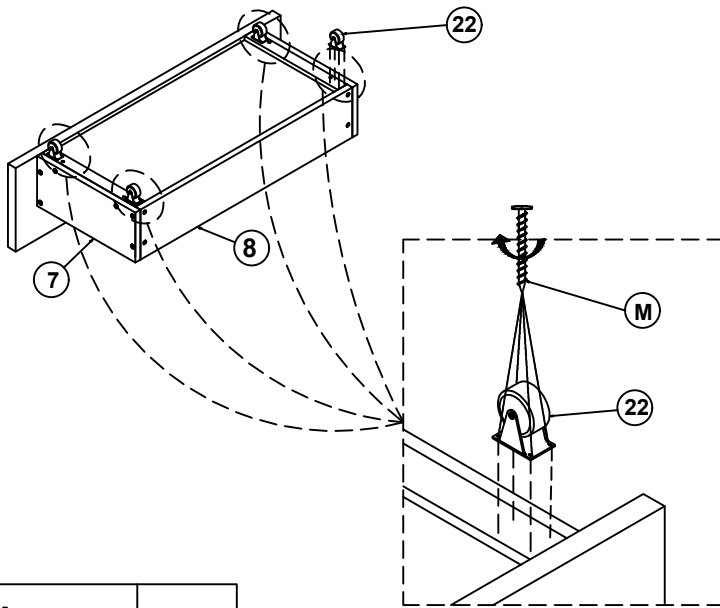
# ASSEMBLY INSTRUCTIONS

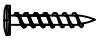
## STEP 12



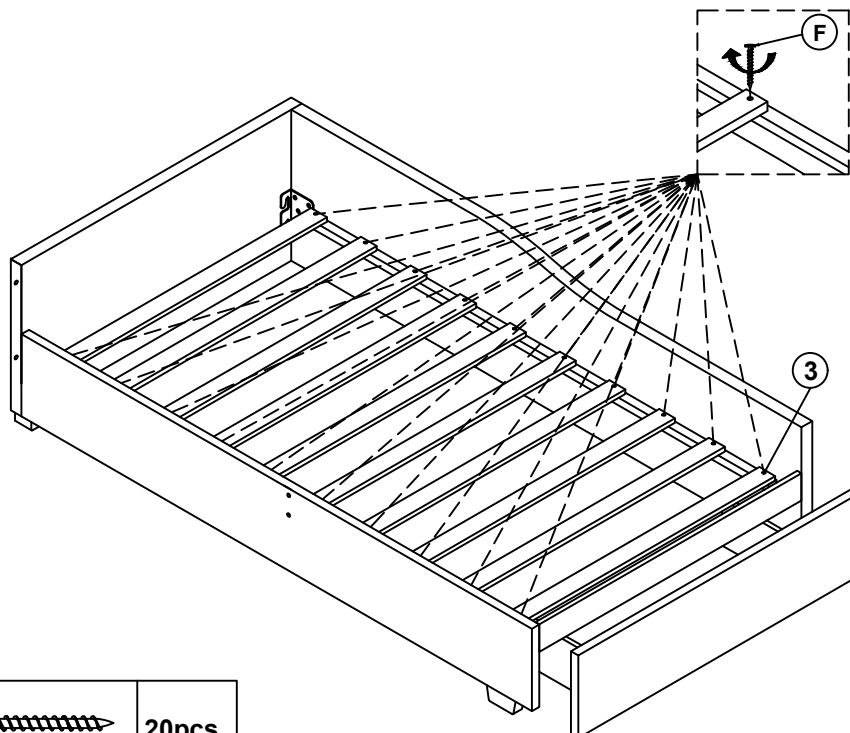
L	Flat Head Screw (m4x38mm-RBW)		4pcs
---	----------------------------------	---	------

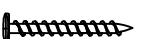
## STEP 13



M	Flat Head Screw (m4x15mm-RBW)		16pcs
---	----------------------------------	---	-------

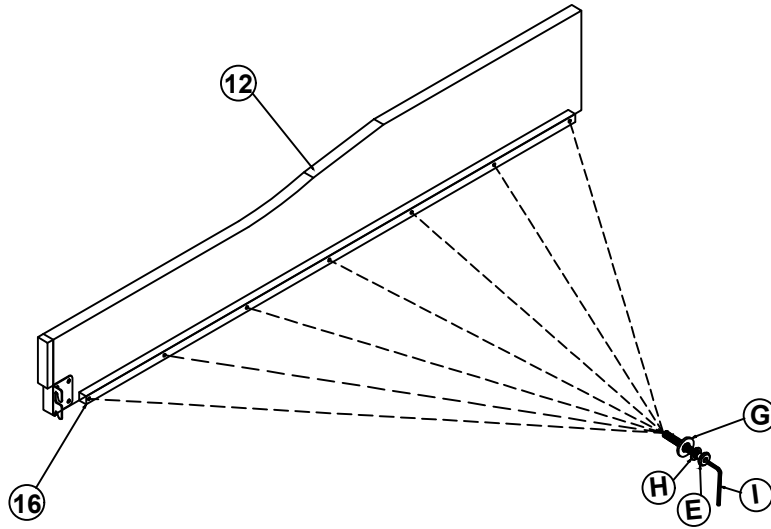
## STEP 14







F	Flat Head Screw (m4x30mm-RBW)		20pcs
---	----------------------------------	---	-------

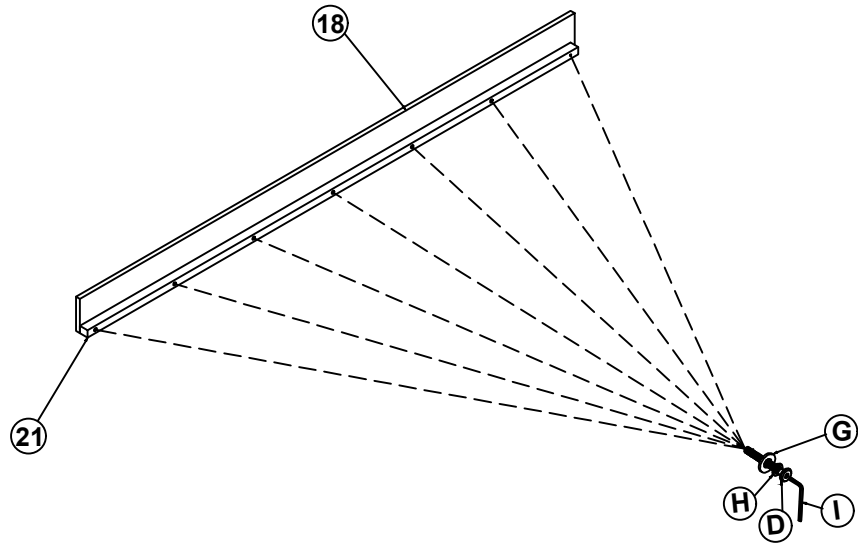
# ASSEMBLY INSTRUCTIONS





## STEP 15



E	<b>Bolt</b> (Ø 5/16 "X60mm)		7pcs	G	<b>Flat Washer</b> (Ø 5/16 "-RBW)		7pcs
H	<b>Spring Washer</b> (Ø 5/16 "-RBW)		7pcs	I	<b>Allen Wrench</b> (M4x75mm x32mm)		1pc

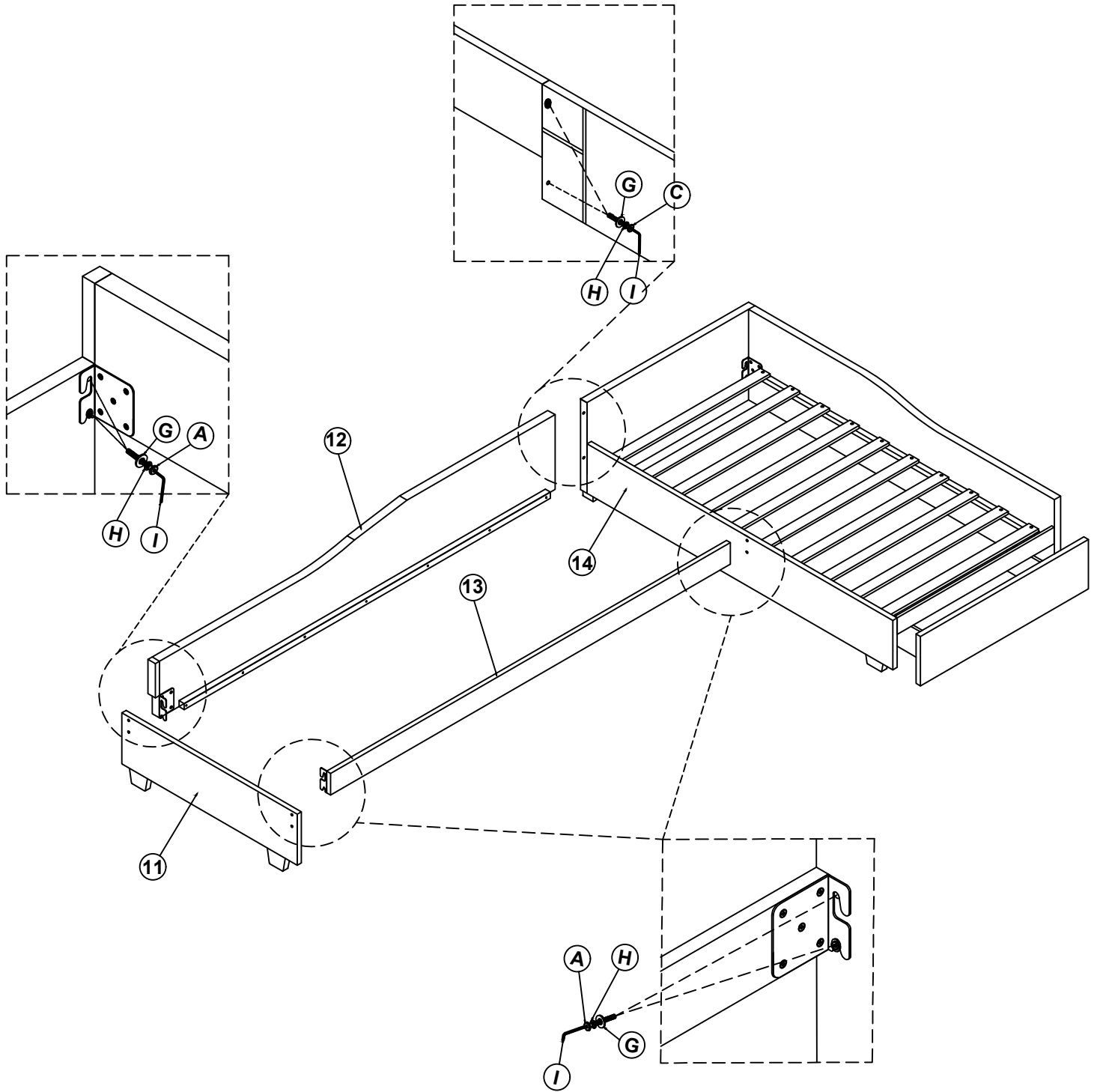
## STEP 16

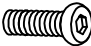






D	<b>Bolt</b> (Ø 5/16 "X50mm)		7pcs	G	<b>Flat Washer</b> (Ø 5/16 "-RBW)		7pcs
H	<b>Spring Washer</b> (Ø 5/16 "-RBW)		7pcs	I	<b>Allen Wrench</b> (M4x75mm x32mm)		1pc

# ASSEMBLY INSTRUCTIONS

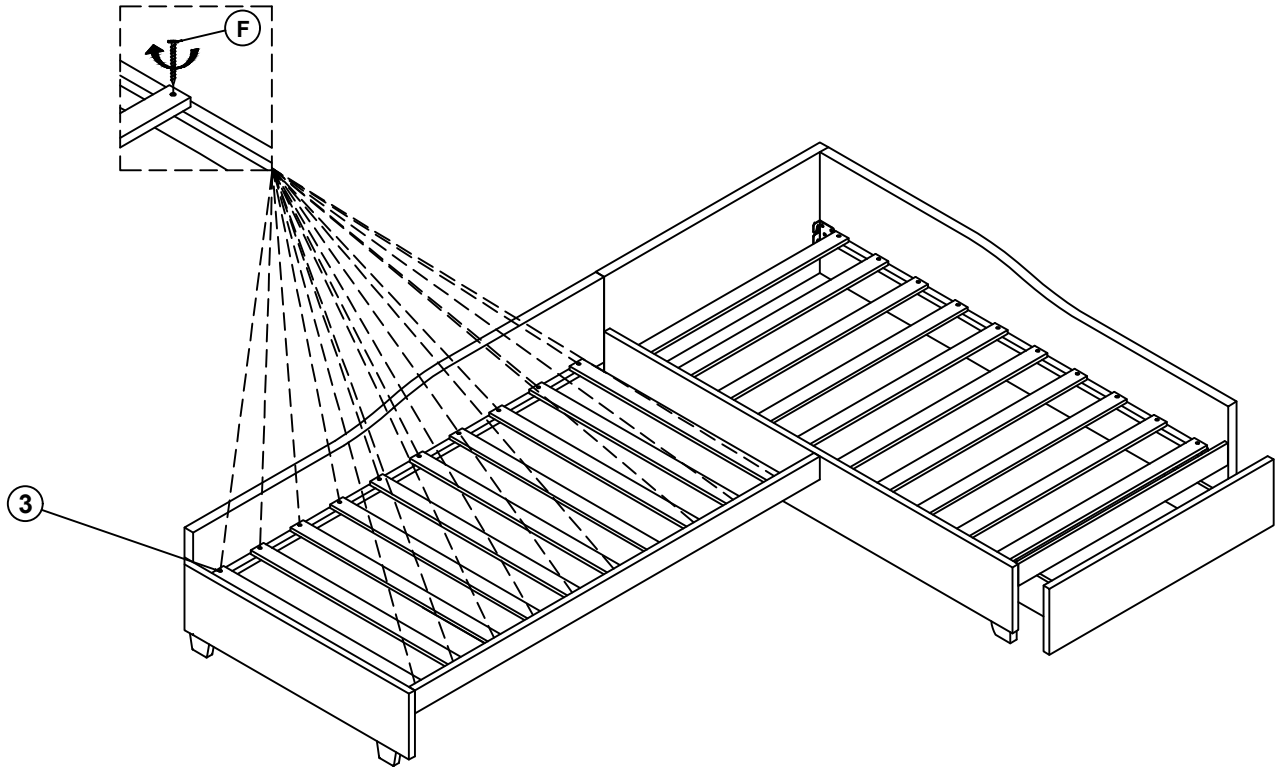
## STEP 17

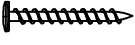


A	<b>Bolt</b> (Ø 5/16 "X20mm)		6pcs			
C	<b>Bolt</b> (Ø 5/16 "X38mm)		2pcs	G	<b>Flat Washer</b> (Ø 5/16 "-RBW)	 8pcs
H	<b>Spring Washer</b> (Ø 5/16 "-RBW)		8pcs	I	<b>Allen Wrench</b> (M4x75mm x32mm)	 1pc

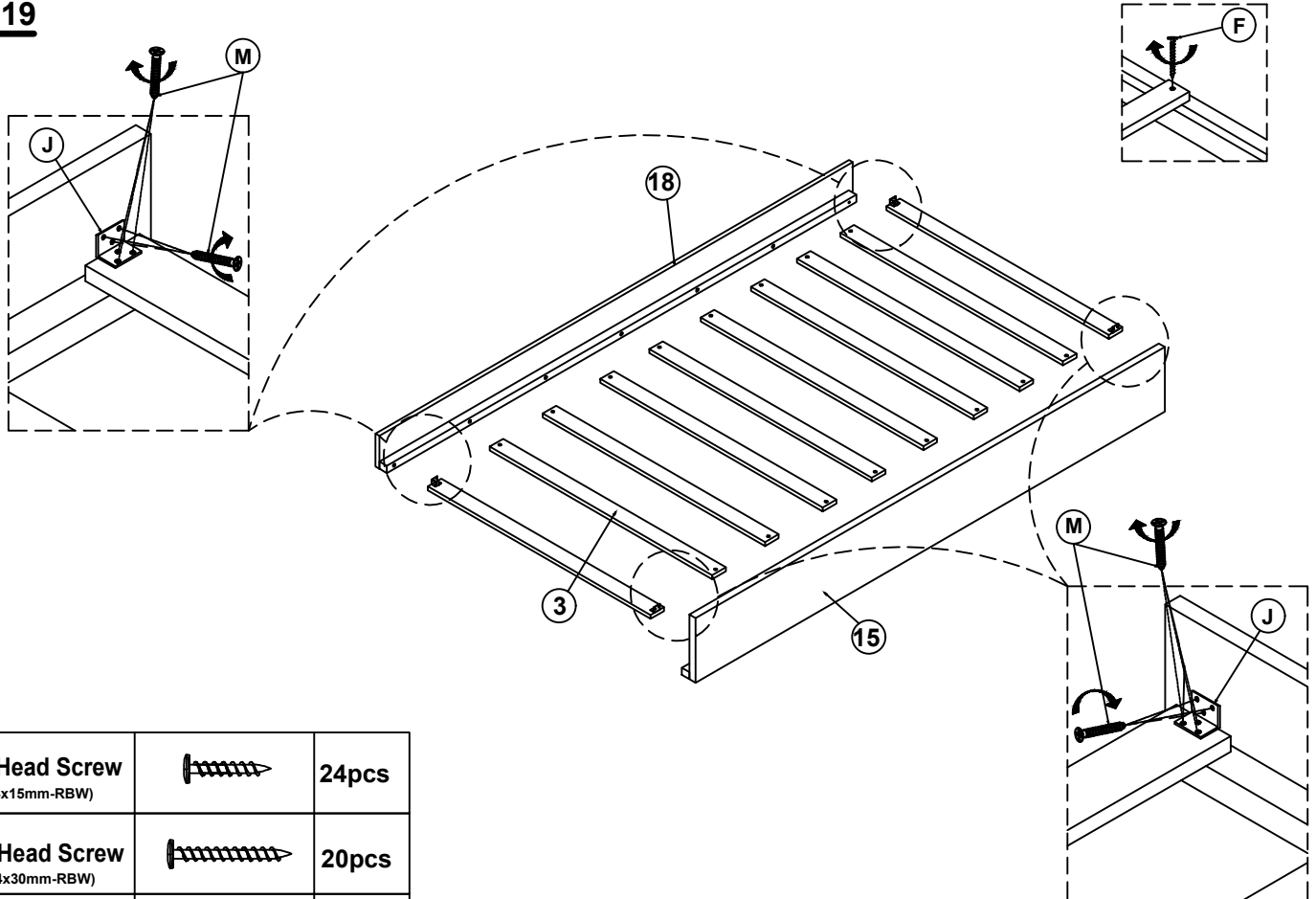
# ASSEMBLY INSTRUCTIONS

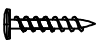
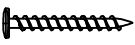

## STEP 18



F	Flat Head Screw (m4x30mm-RBW)		20pcs
---	----------------------------------	---	-------

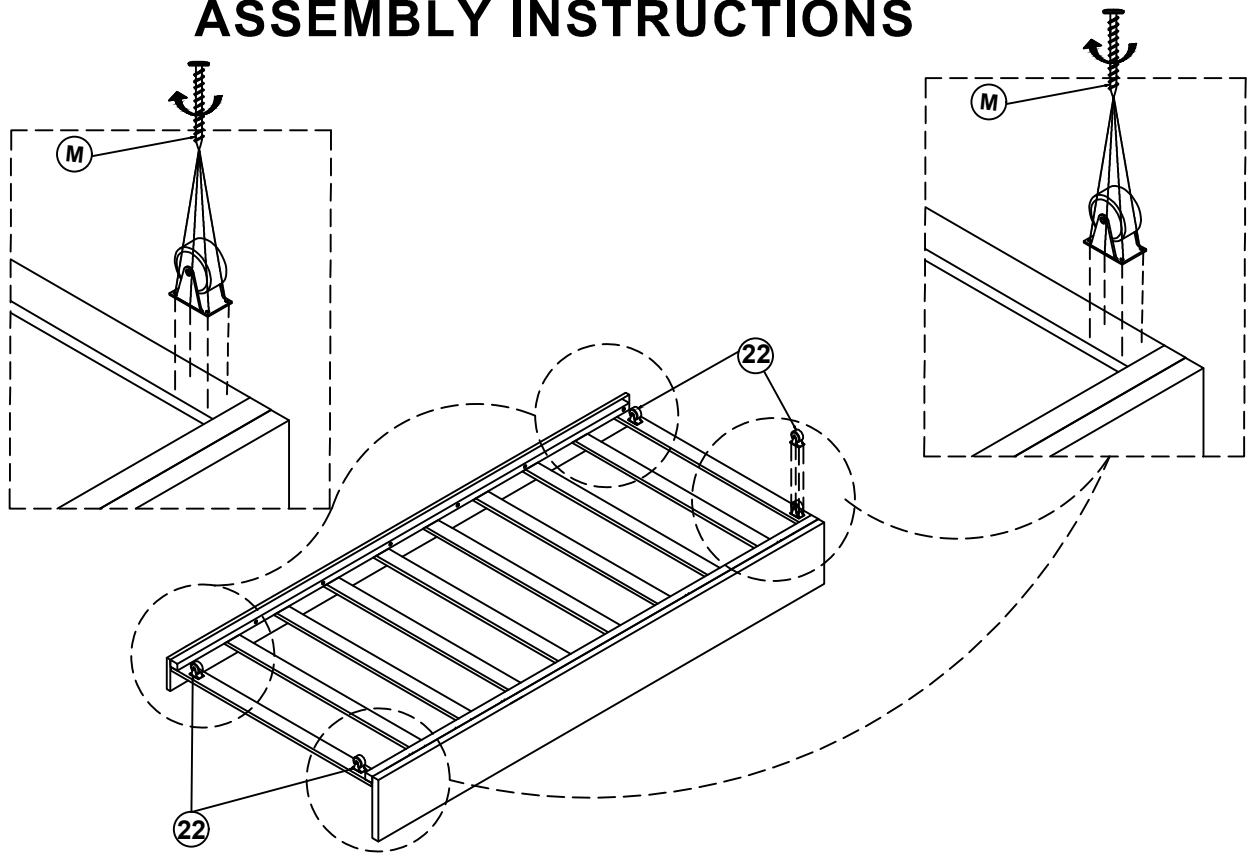
## STEP 19

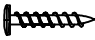


M	Flat Head Screw (m4x15mm-RBW)		24pcs
F	Flat Head Screw (m4x30mm-RBW)		20pcs
J	Square Patch (38mmx38mmx25mmx2mm)		4pcs

# ASSEMBLY INSTRUCTIONS

## STEP 20



M	Flat Head Screw (m4x15mm-RBW)		16pcs
---	----------------------------------	---	-------

## STEP 21

**COMPLETE**

