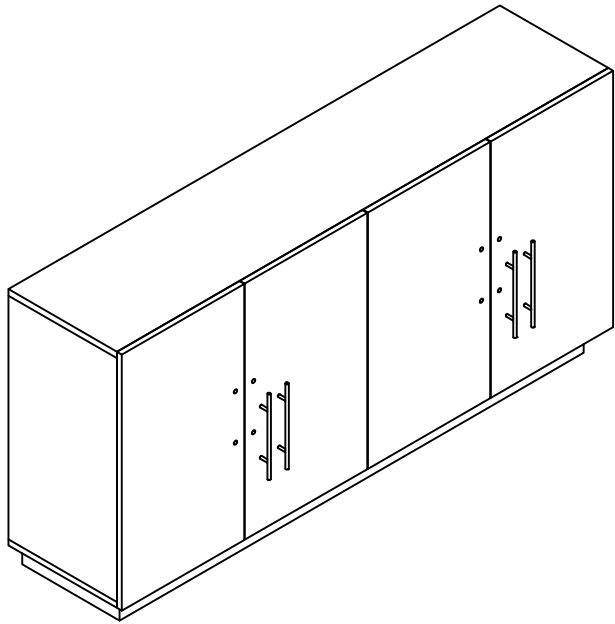
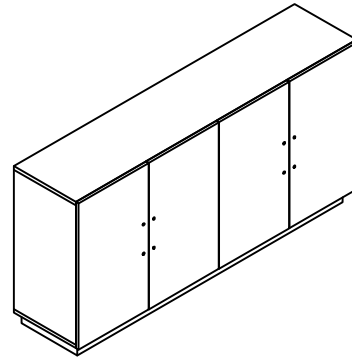


# Sideboard

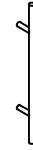


①



Pre-Assembled Sideboard

②



Handle×4

Ⓐ



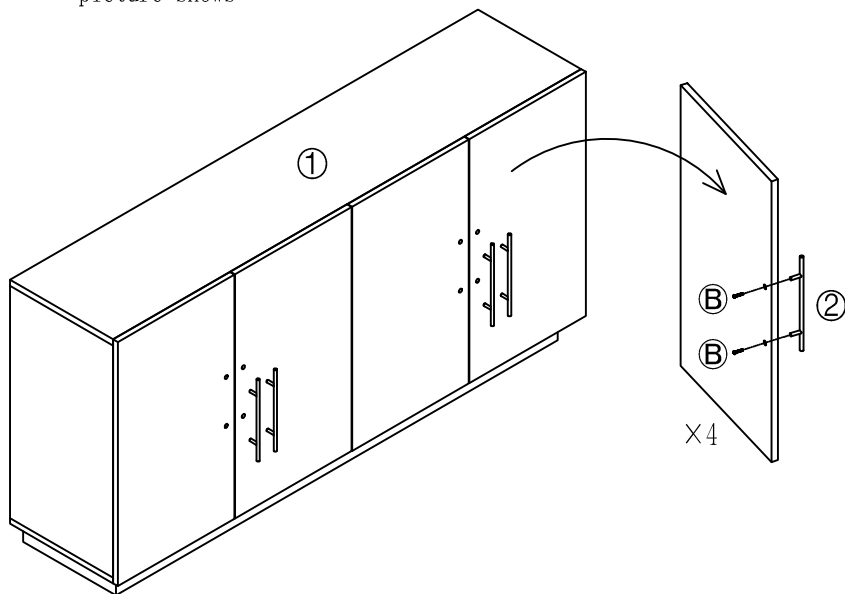
Screwdriver×1

Ⓑ



Screws×8

Step 1: Please tighten up the screws as picture shows



Please make sure all the screws are tighten up before using.

