

ASSEMBLY INSTRUCTIONS

Important: Retain this instruction for future reference:

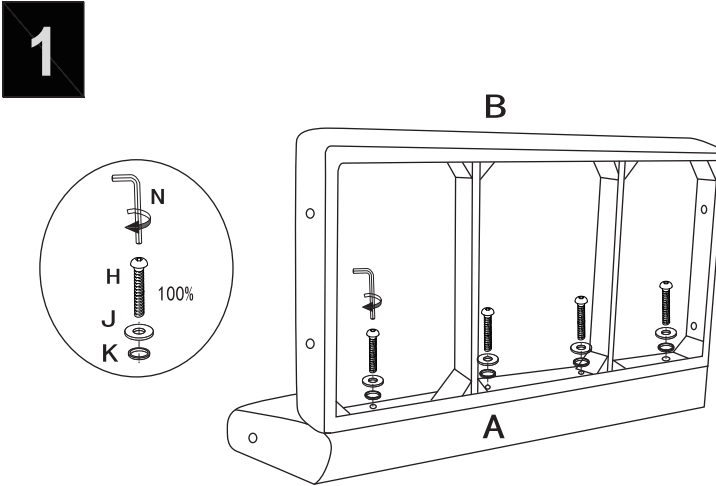
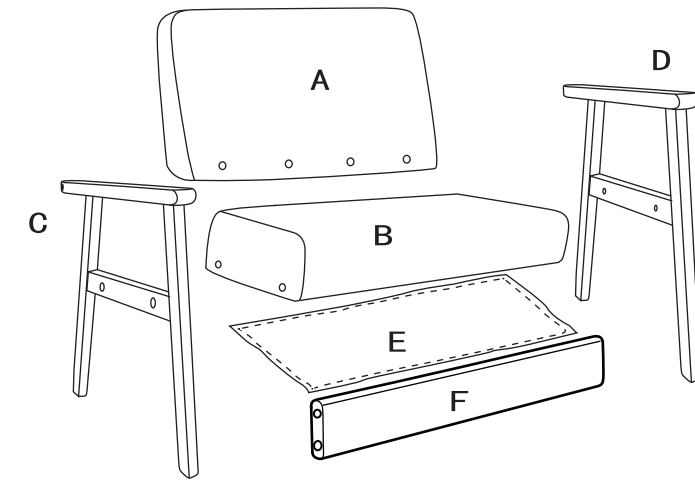
Read carefully before assembling.

Product to be assembled. Position in a stable way on a flat ground. Maximum recommended load: 200kg.

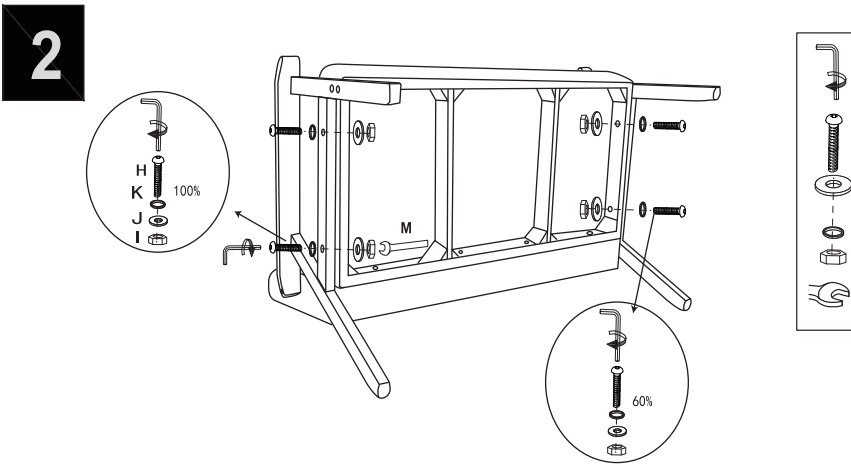
Check the fastening devices regularly. We decline all responsibility in the event of incorrect use, assembly, or adverse weather conditions.

Class of use: domestic.

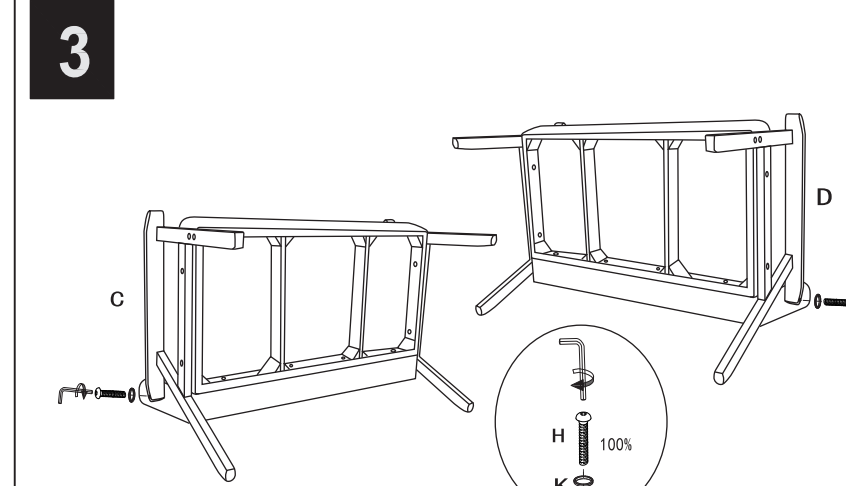
A	X1	B	X1	C	X1	D	X1								
E	X1	F	X1												
G	x4	H	x15	I	x4	J	x9	K	x15	L	x6	M	x1	N	x1
	M8x60														



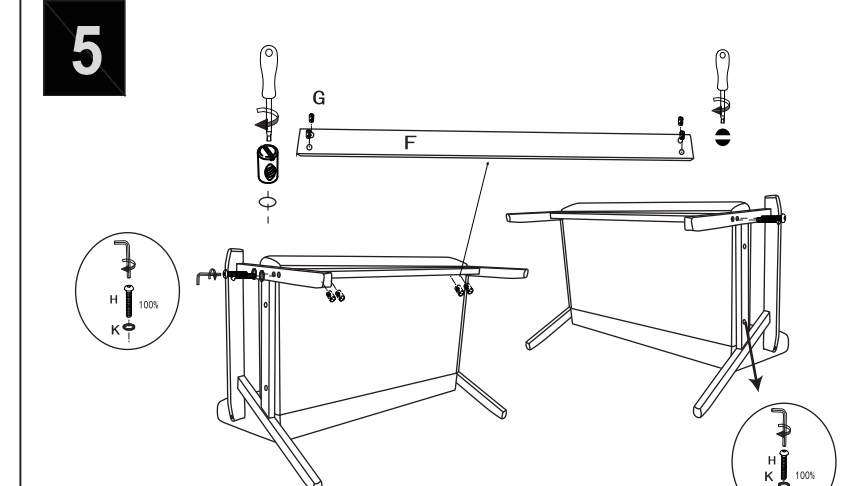
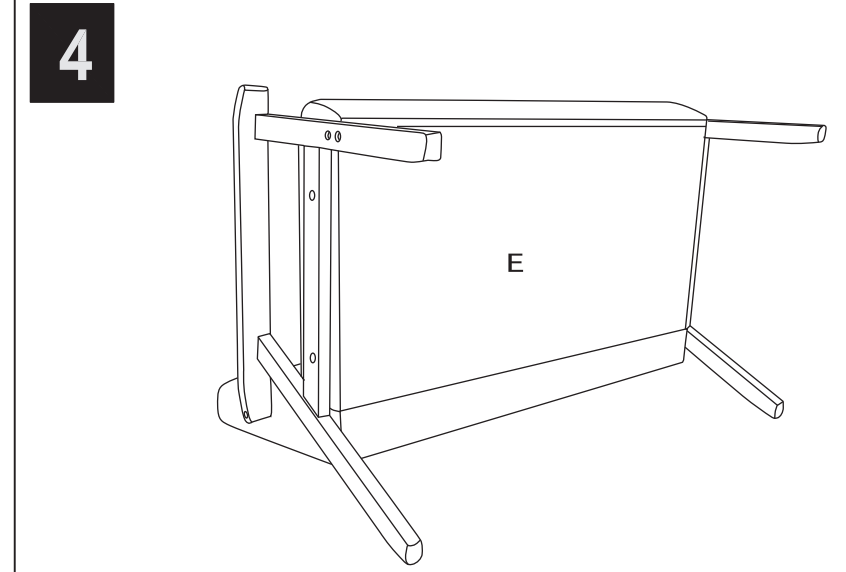
H	x4	J	x4	K	x4	N	x1
	M8x60						



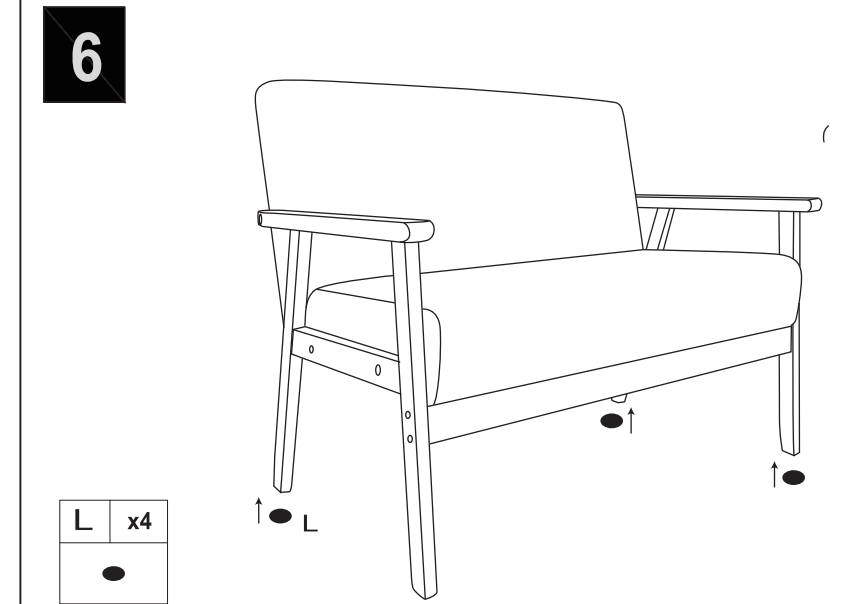
H	x4	J	x4	K	x4	I	x4	M	x1	N	x1
	M8x60										



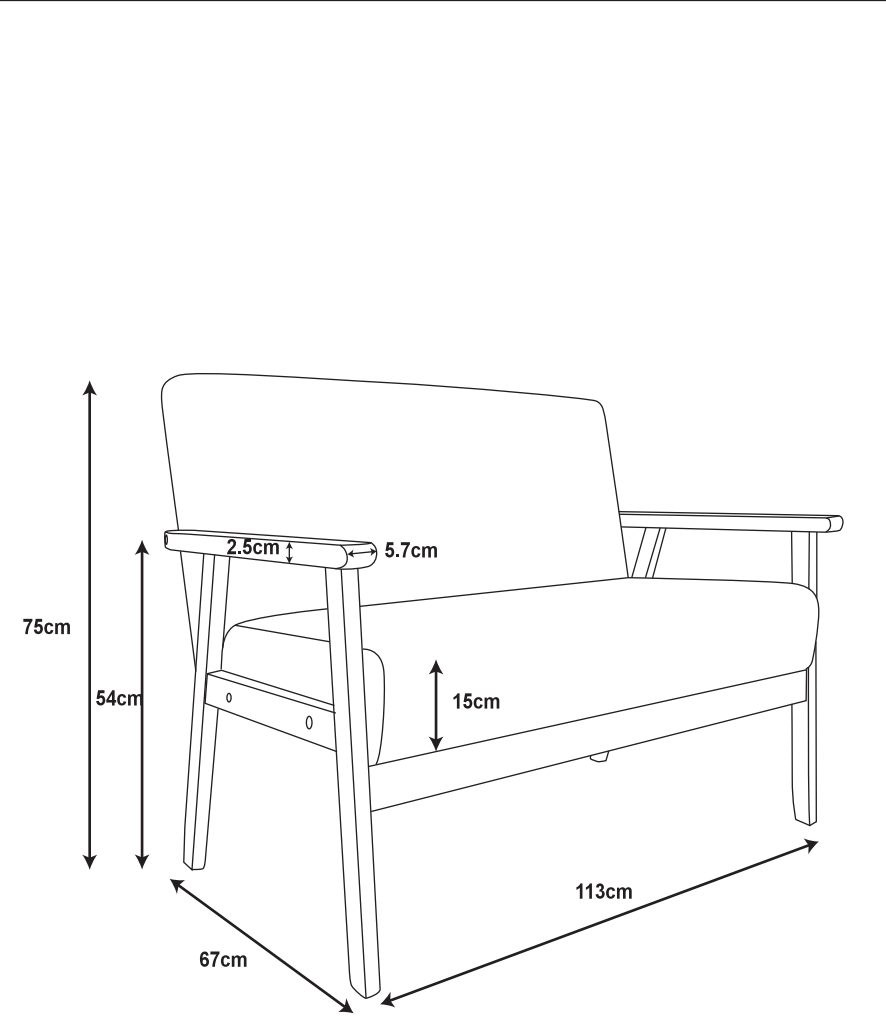
H	x2	K	x2	N	x1
	M8x60				

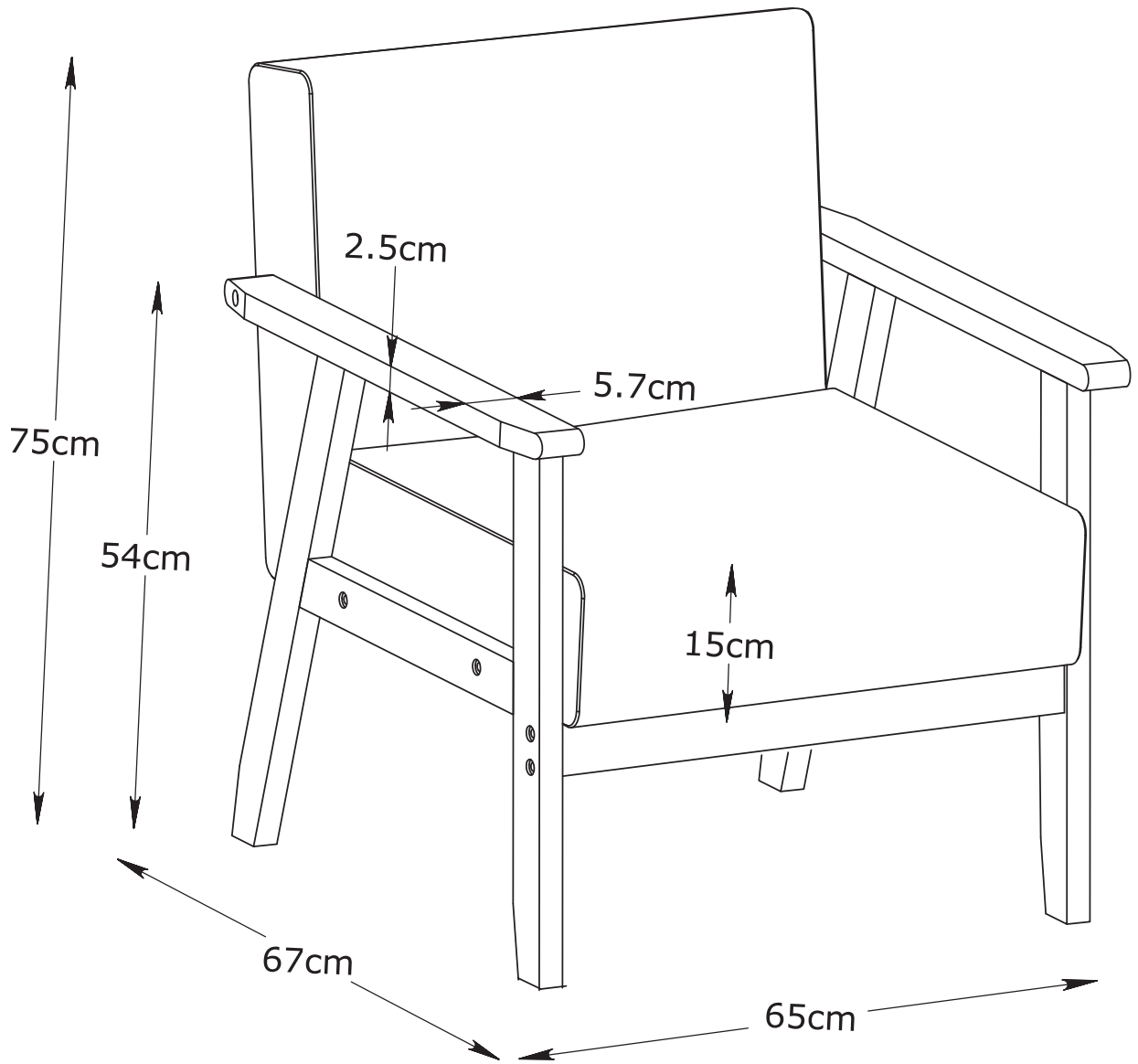


H	x4	G	x4	K	x4	N	x1
	M8x60						



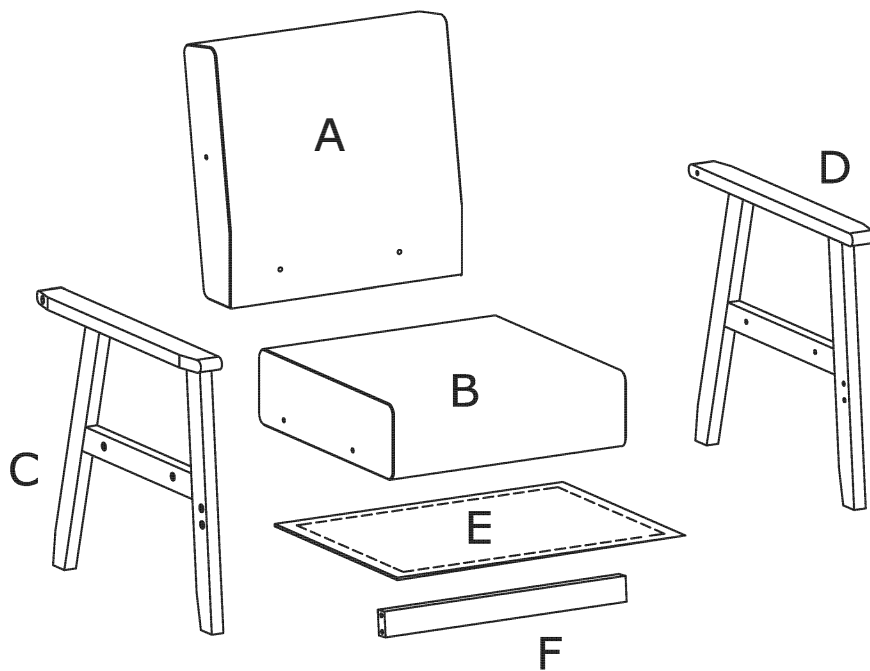
L	x4



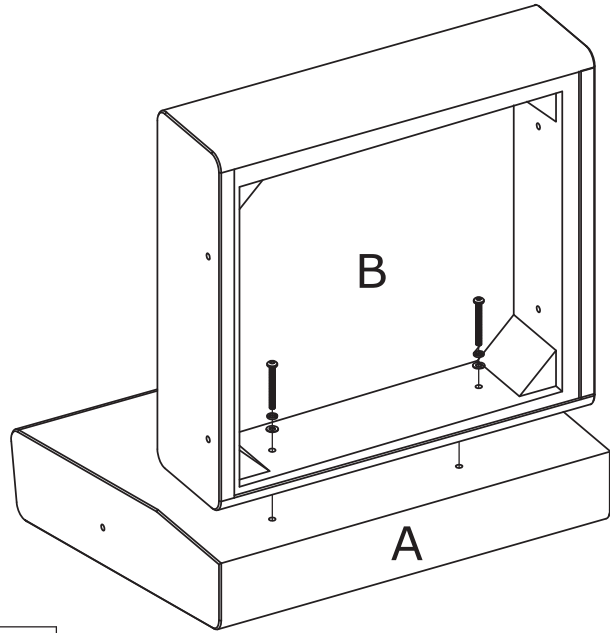
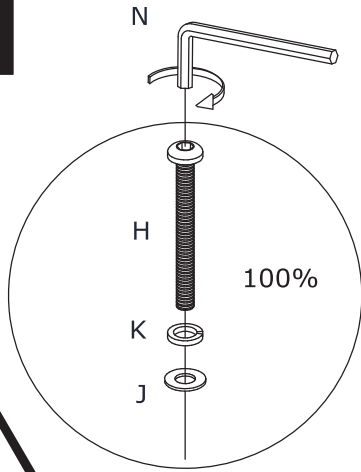


A	x1	B	x1	C	x1	D	x1								
E	x1	F	x1												
G	x4	H	x12	I	x4	J	x2	K	x12	L	x4	M	x1	N	x1


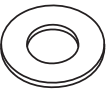


	40MIN		
--	-------	--	--



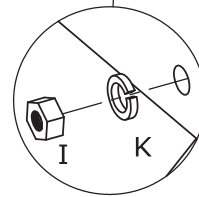
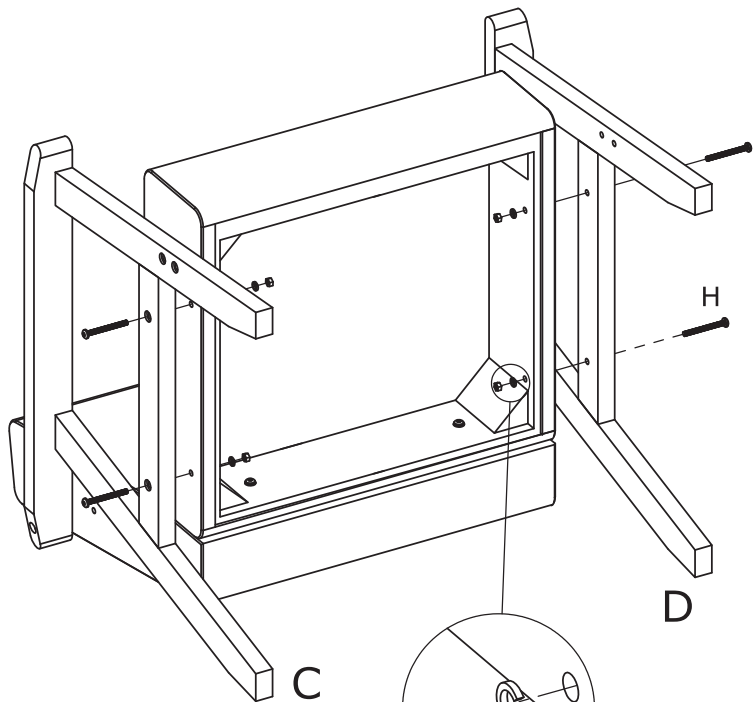
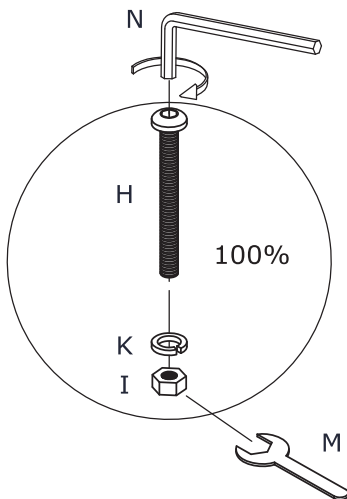
1



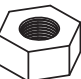




1. Insert 4 sets hardware into position first.
2. Tighten them in the same time then.

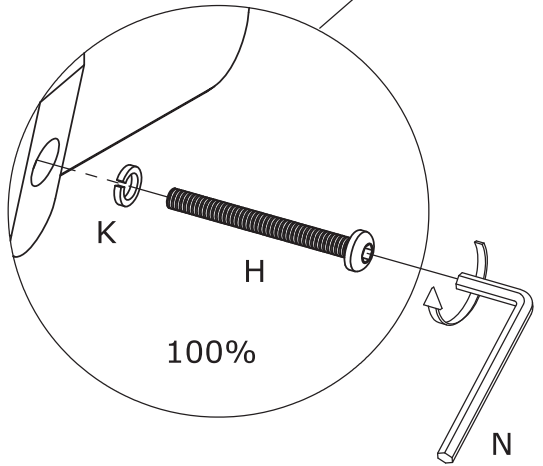
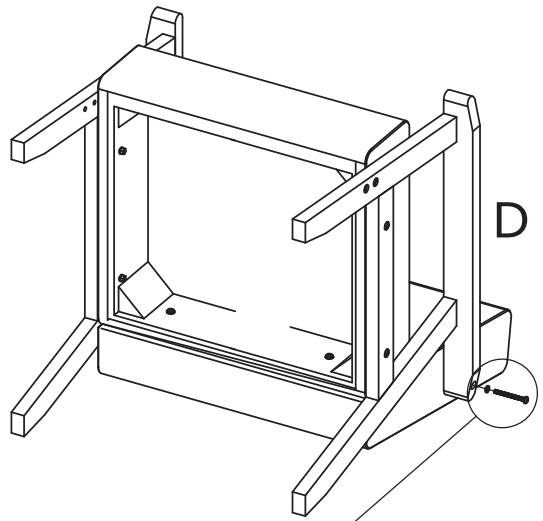
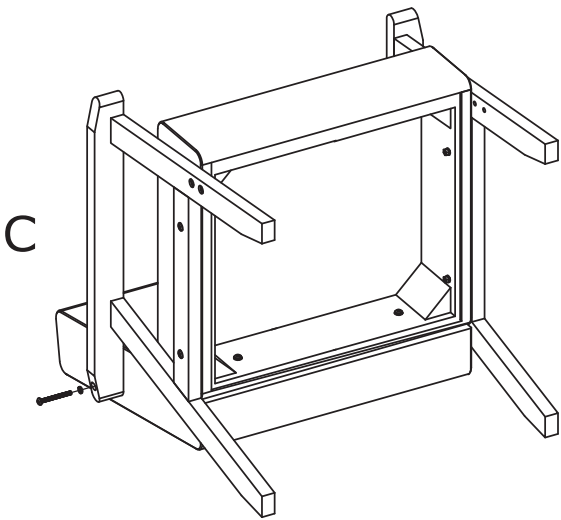
H	x2	J	x2	K	x2	N	x1
							




2



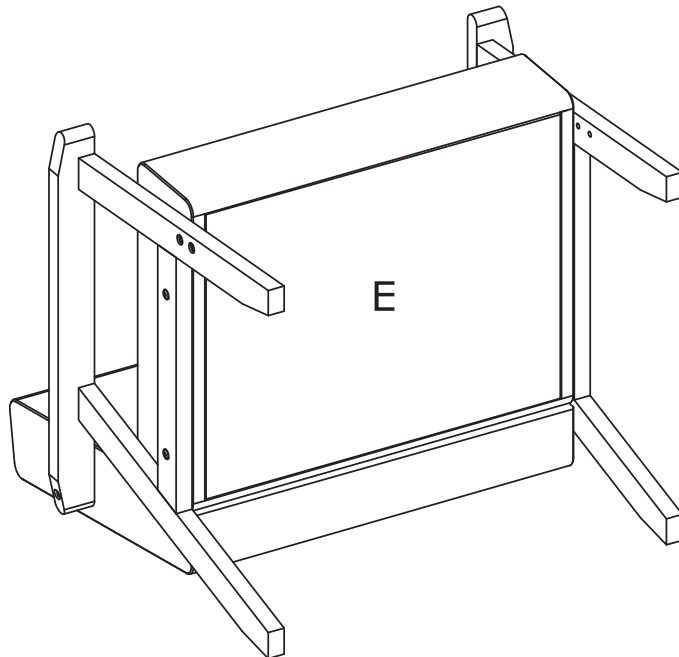
H	x4	K	x4	I	x4	M	x1	N	x1
									

3

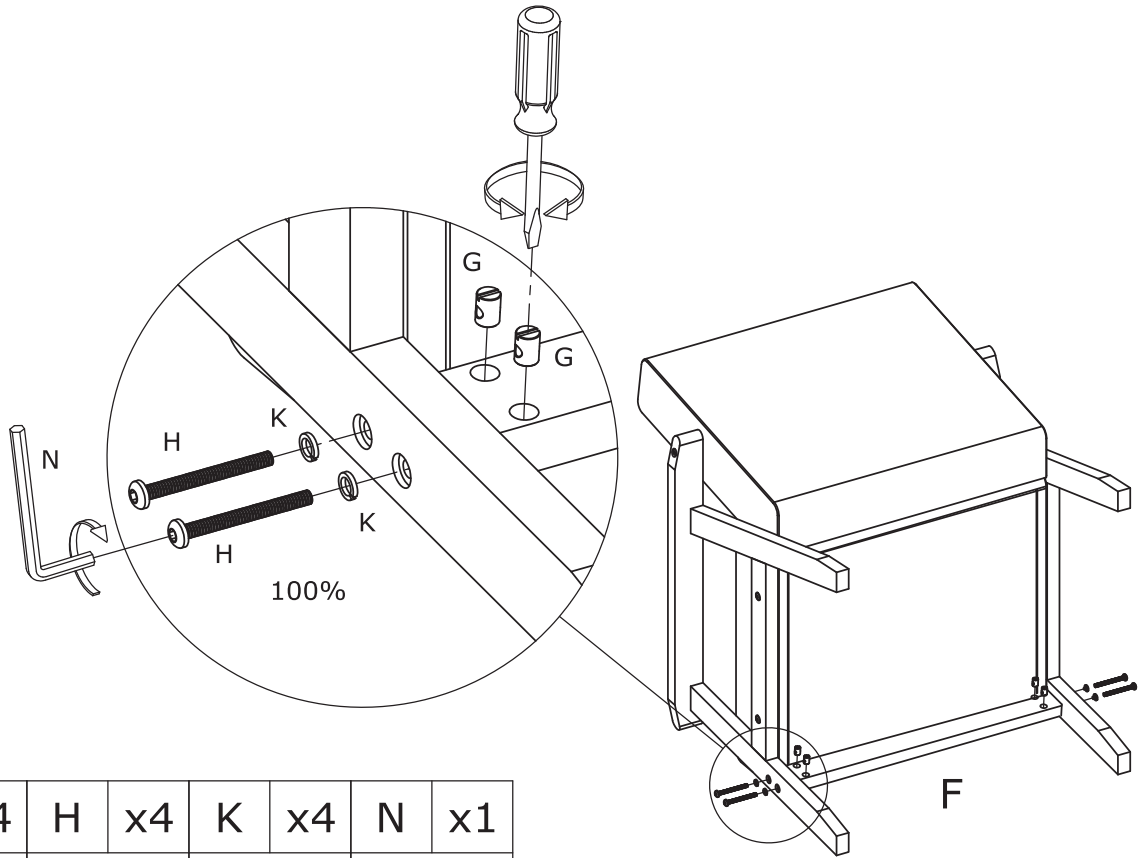





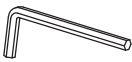
H	x2	K	x2	N	x1
	M8x60				

4

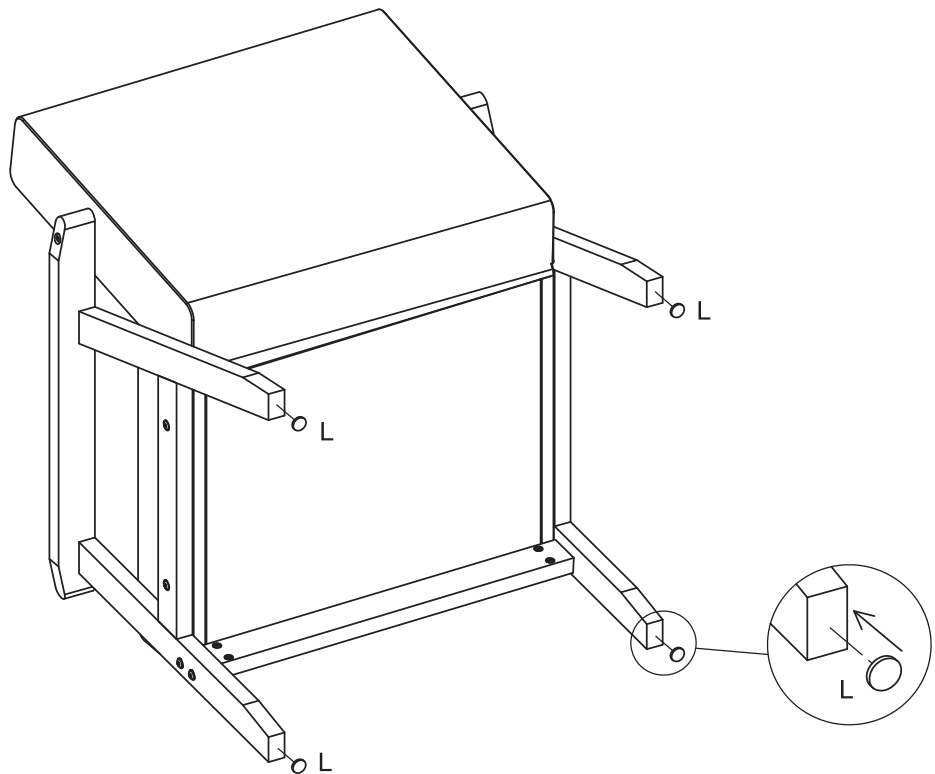



5



G	x4	H	x4	K	x4	N	x1
		 M8x60					


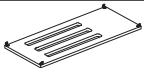

6




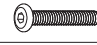




L	x4
	

ASSEMBLY INSTRUCTIONS

PARTS LIST

No.	DESCRIPTION	SKETCH	Q'TY
A	TOP FRAME		1PC
B	SHELF		1PC
C	LEGS		4PCS

HARDWARE LIST

NO.	DESCRIPTION	SKETCH	Q'TY
1	BOLT Ø1/4"x5/8"		4PCS
2	BOLT Ø1/4"x2-1/2"		8PCS
3	LOCK WASHER 1/4 "		12PCS
4	FLAT WASHER 1/4"x16mm		4PCS
5	FLAT WASHER 1/4"x19mm		8PCS
6	WRENCH 4MM		1PC

