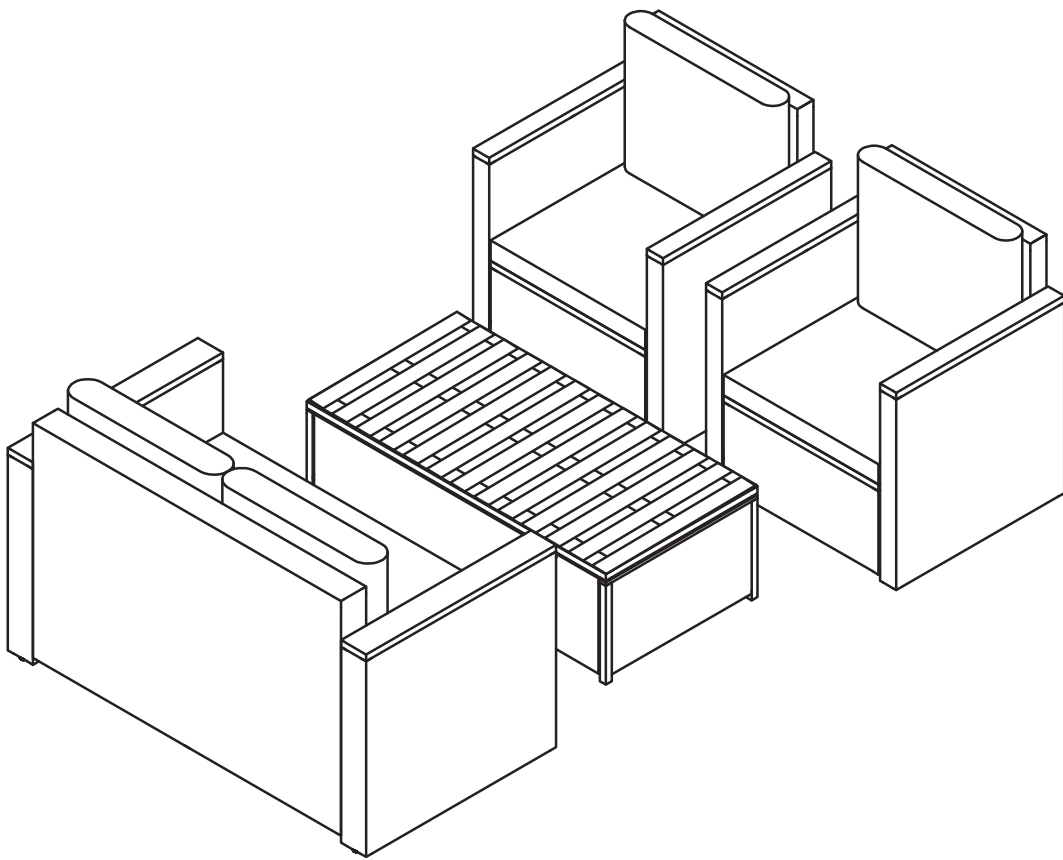


USE AND CARE GUIDE



Questions, problems, missing parts? Before returning to the store,
please contact our Customer Service

service@alphamarts.com

THANK YOU

We appreciate the trust and confidence you have placed in PHI VILLA through the purchase of our product. We strive to continually create quality products designed to enhance your home. Visit us online to see our full line of products available for your home improvement needs.

Thank you for choosing PHI VILLA!

Table of Contents

| | | | |
|---------------------------|---|----------------------------|-----|
| Table of Contents | 2 | Pre-assembly | 3-5 |
| Safety Information | 2 | Assembly | 6-8 |
| Warranty | 2 | Care and Maintenance | 9 |
| What is Covered | 2 | | |
| What is Not Covered | 2 | | |

Safety Information

- Tighten each bolt firmly and properly. Do not completely tighten screws until all screws are started.
- Some parts may contain sharp edges. Wear protective gloves as necessary.
- Children under the age of 16 should not be engaged in the assembly, removal or disassembly of the product. Children under the age of 10 should be supervised by a competent adult while using this furniture.
- Please keep children out of the assembly area during assembly.
- This set is heavy, and may require two adults for safe assembly.
- Never use this product as a support. Do not shake, lean, or climb on the product at any time.



DANGER : Do not allow children to play with plastic wraps or small parts to prevent potential choking hazard.



CAUTION: Read all the instructions before assembly. Failure to do so may result in faulty assembly and potential injury!

Warranty

LIMITED WARRANTY

This warranty is a limited warranty, and applies to the original purchase is required. This is a residential warranty and does not apply to commercial use. This collection carries a (1) year limited warranty and is valid from original date of purchase to the original owner (proof of purchase required).

WHAT IS COVERED

We warrant the frame to be free of Manufacturing defects to the original purchaser for one year.

WHAT IS NOT COVERED

This warranty does not cover commercial use, hardware, acts of nature, fire, freezing and abusive.

In addition, purchased parts are not covered under this warranty.

We reserve the right to make substitutions with similar merchandise, if the model in question is no longer in production.

For a copy of our full limited warranty, please contact our customer service team.

Pre-assembly (continued)

Assemble the item on a soft, non-abrasive surface, such as carpet or cardboard to avoid damaging the item. Seek assistance to assemble bulky or heavy items.



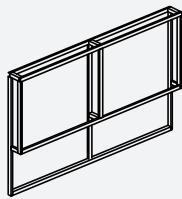
NOTE: Identify all parts packed in the carton against the parts list.
Remove all the protective material carefully and **DO NOT** use a knife to prevent scratching the furniture.

PACKAGE CONTENTS

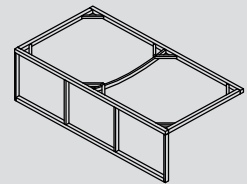


NOTE: Hardware not shown to actual size.

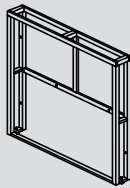
A
X1



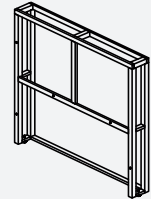
B
X1



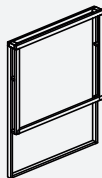
C
X3



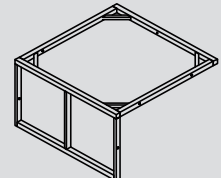
D
X3



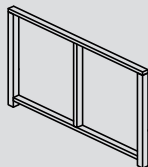
E
X2



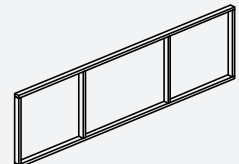
F
X2



G
X2



H
X2



Pre-assembly (continued)

Assemble the item on a soft, non-abrasive surface, such as carpet or cardboard to avoid damaging the item. Seek assistance to assemble bulky or heavy items.



NOTE: Identify all parts packed in the carton against the parts list. Remove all the protective material carefully and DO NOT use a knife to prevent scratching the furniture.

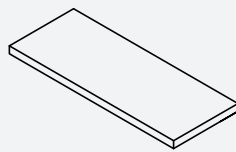
PACKAGE CONTENTS



NOTE: Hardware not shown to actual size.

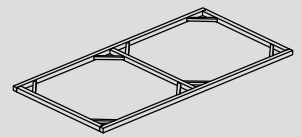
J

X1



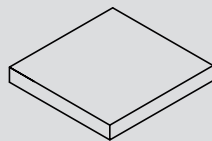
K

X1



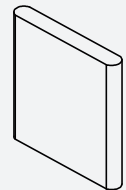
Q

X2



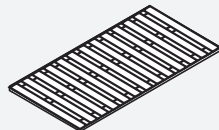
X

X4
M6x70mm



W

X1
M6x20mm



Z

X1
M6x15mm



1

X28
M6x40mm



2

X12
M6x30mm



Pre-assembly (continued)

Assemble the item on a soft, non-abrasive surface, such as carpet or cardboard to avoid damaging the item. Seek assistance to assemble bulky or heavy items.



NOTE: Identify all parts packed in the carton against the parts list.
Remove all the protective material carefully and DO NOT use a knife to prevent scratching the furniture.

PACKAGE CONTENTS



NOTE: Hardware not shown to actual size.

3

X6
M6x100mm



4

X6
M4



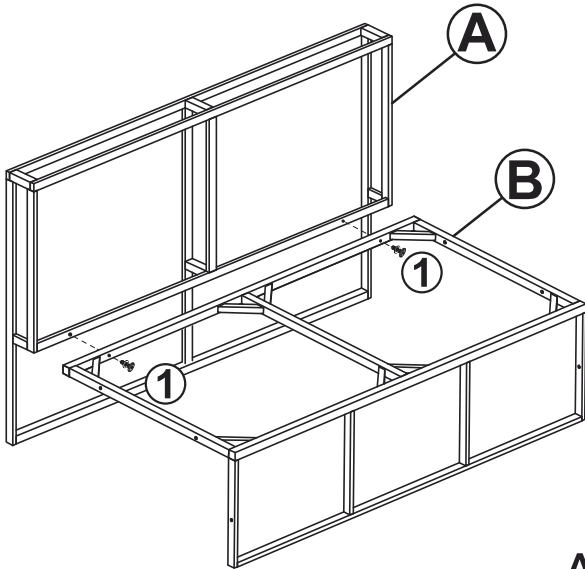
5

X2
M4



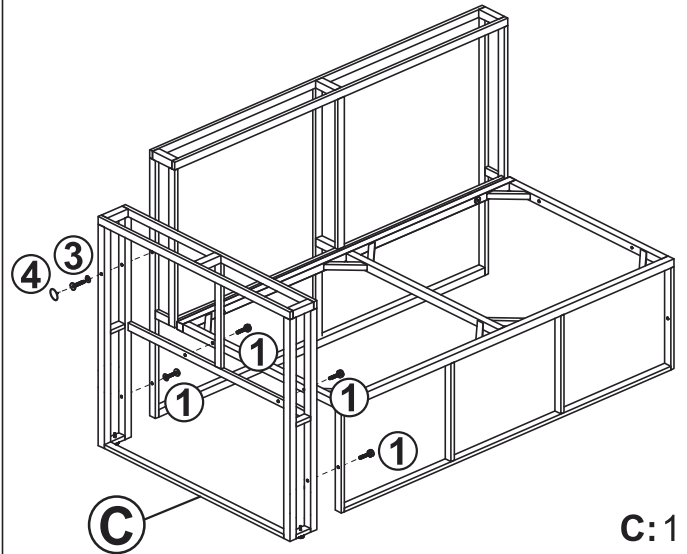
Assembly

1



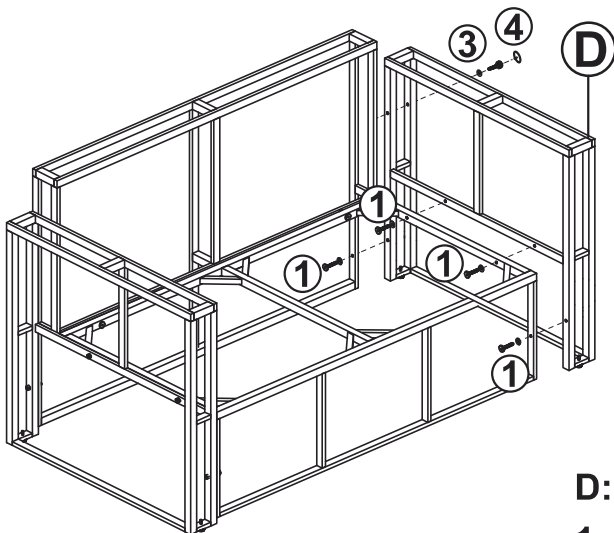
A: 1
B: 1
1: 2

2



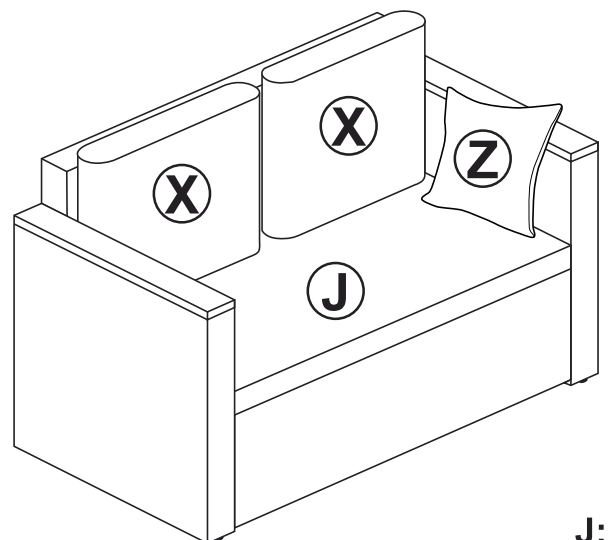
C: 1
1: 4
3: 1
4: 1

3



D: 1
1: 4
3: 1
4: 1

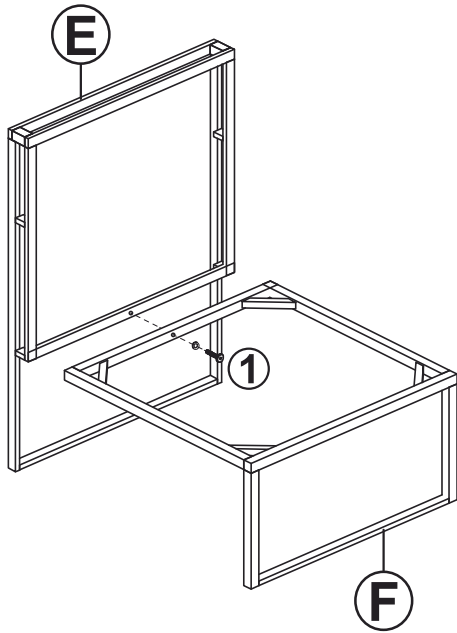
4



J: 1
X: 2
Z: 1

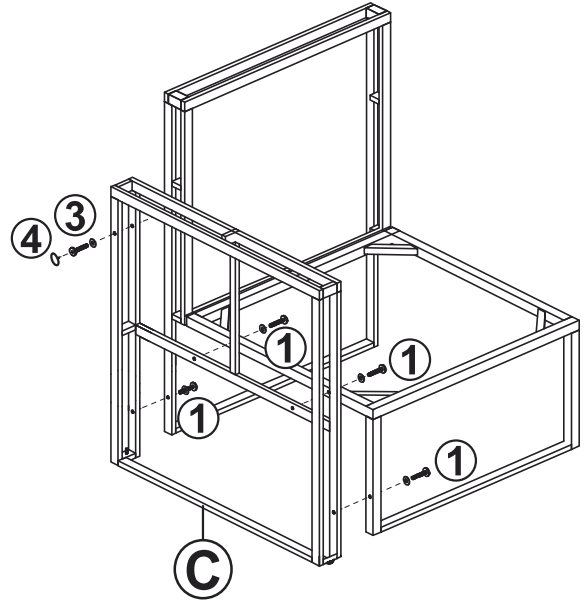
Assembly

5



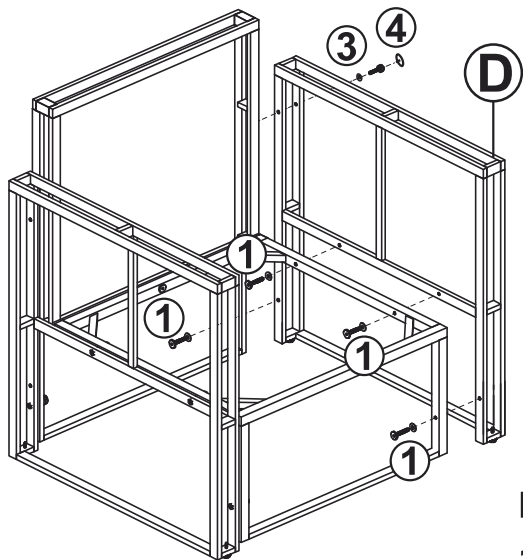
E: 1
F: 1
1: 1

6



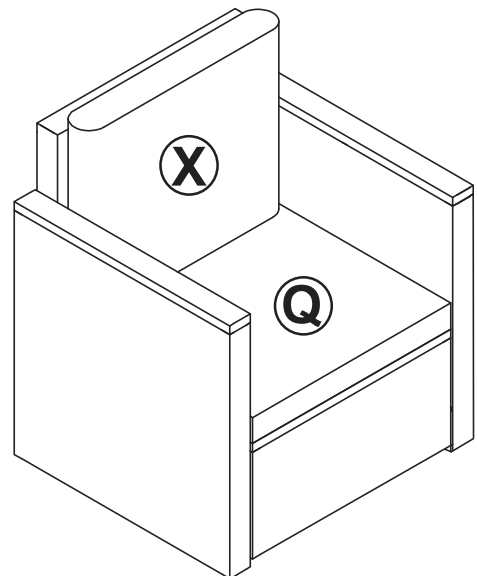
C: 1
1: 4
3: 1
4: 1

7



D: 1
1: 4
3: 1
4: 1

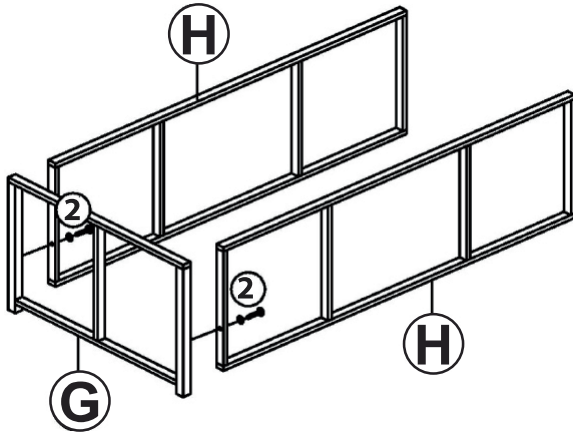
8



Q: 1
X: 1

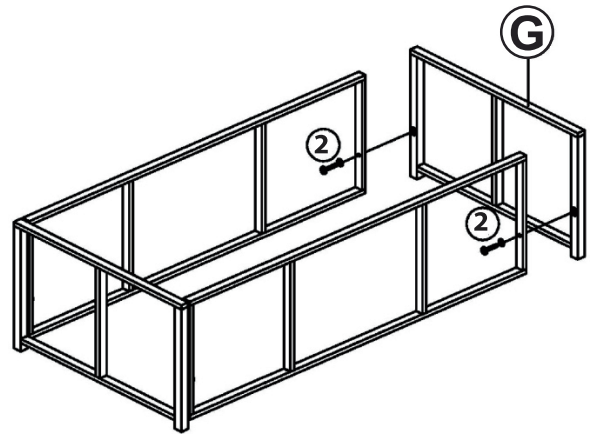
Assembly

9



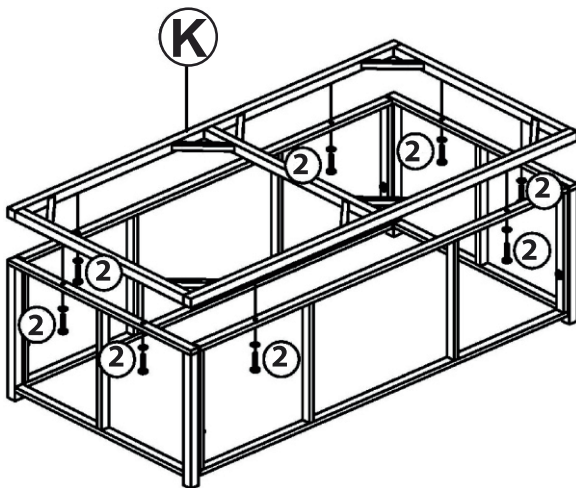
G: 1
H: 2
2: 2

10



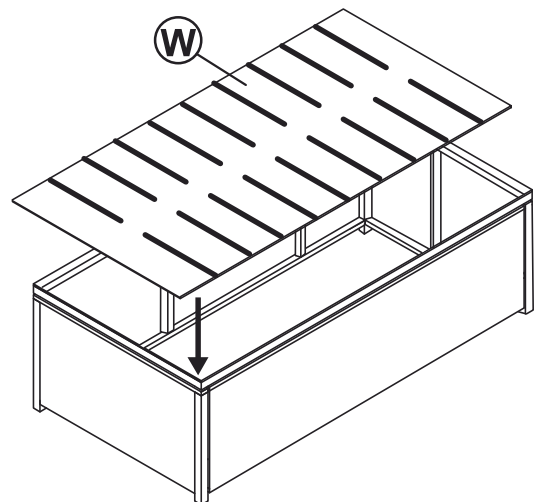
G: 1
2: 2

11



K: 1
2: 2

12



W: 1

Cleaning and Maintenance

- Clean the furniture with damp cloth, rinse thoroughly. Dry frame parts completely. Do not use bleach, acid or other solvents on the wicker or metal parts.
- Inspect and tighten all **SCREW** on a regular basis to ensure proper performance and safety.
- In order to prolong the life and beauty of your product, we recommend storing it in a dry and protected area during off season periods.

The surface of wooden furniture can may become rough from exposure to rain water.

This is a normal occurrence which develops from the fact that the wooden fibres on the surface of the furniture stand up when they get wet. If this happens, you can lightly sand down the surface by using sandpaper and then reapply the oil to the affected areas. The original shape and color will be restored by doing this.



WARNING

Wood as a natural material intends to swell and shrink depending on its environment.

The wood will be damaged if the environment conditions change quickly and intensively (e.g. from rain to direct sun). Therefore it is highly recommended to cover or protect wooden products from rain, moisture and direct sun when not in use.

Questions, problems, missing parts? Before returning to the store
please contact our Customer Service

service@alphamarts.com

1-877-606-2818