








Wooden Storage Shed







Before You Start

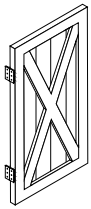
-  Please read all instructions carefully.
-  Retain instructions for future reference.
-  Separate and count all parts and hardware.
-  Read through each step carefully and follow the proper order.
-  We recommend that, where possible, all items are assembled near to the area in which they will be placed in use, to avoid moving the product unnecessarily once assembled.
-  Always place the product on a flat, steady and stable surface.
-  Keep all small parts and packaging materials for this product away from babies and children as they potentially pose a serious choking hazard.



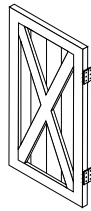
Return / Damage Claim Instructions

-  **DO NOT discard the box / original packaging.**
In case a return is required, the item must be returned in original box. Without this your return will not be accepted.
-  **Take a photo of the box markings.**
A photo of the markings (text) on the side of the box is required in case a part is needed for replacement. This helps our staff identify your product number to ensure you receive the correct parts.
-  **Take a photo of the damaged part (if applicable).**
A photo of the damage is always required to file a claim and get your replacement or refund processed quickly. Please make sure you have the box even if it is damaged.
-  **Send us an email with the images requested.**
Email us directly from marketplace where your item was purchased with the attached images and a description of your claim.

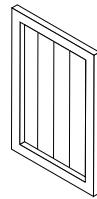
① x1



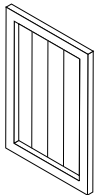
② x1



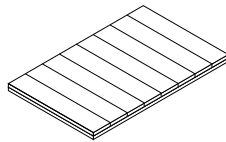
③ x1



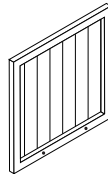
④ x1



⑤ x1



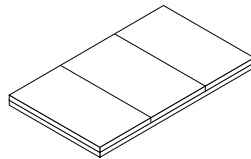
⑥ x1



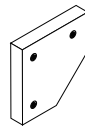
⑦ x1



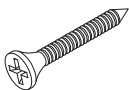
⑧ x1



⑨ x4



A x7+1



M3.5*55

B x22+2



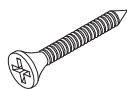
M3.5*40

C x1



M3.5*45

D x12+1



M3.0*16

E x2

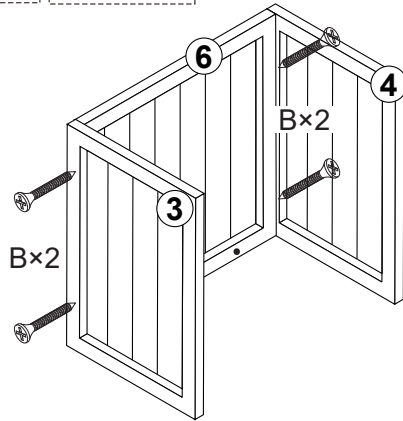
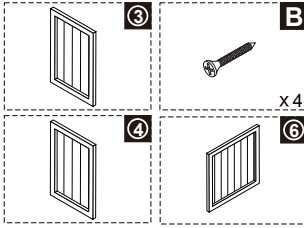


F x8+1

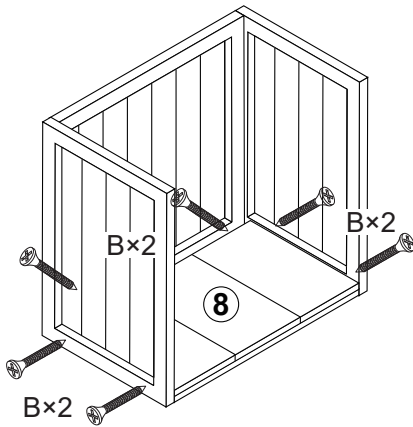
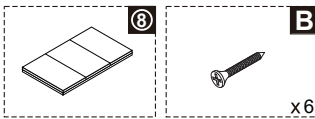


M3.0*16

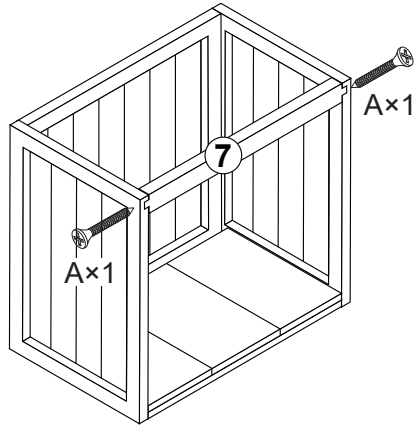
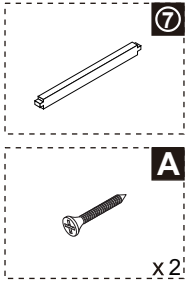
01



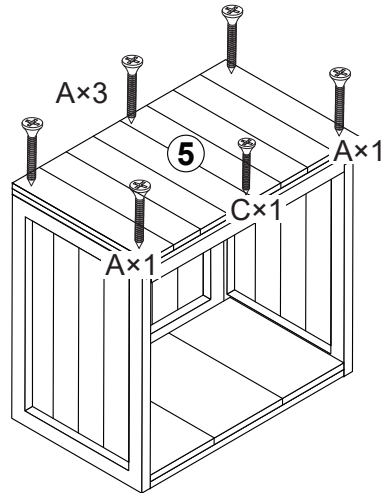
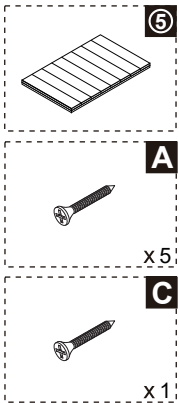
02



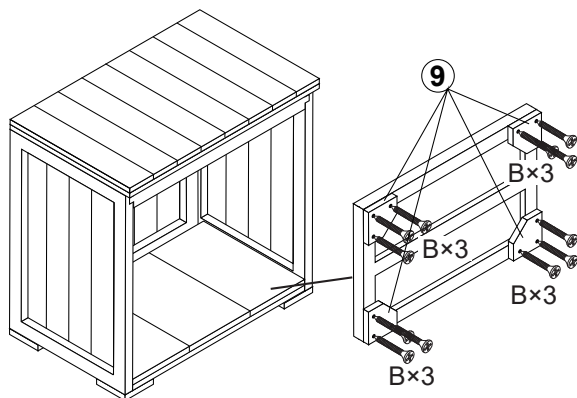
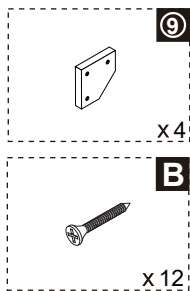
03



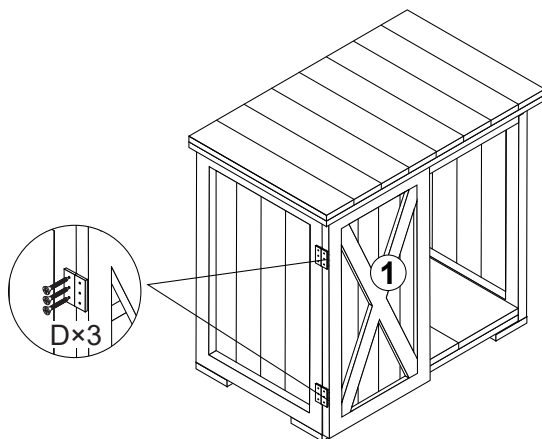
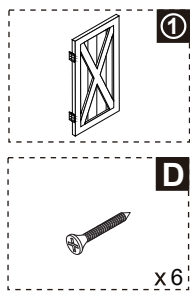
04



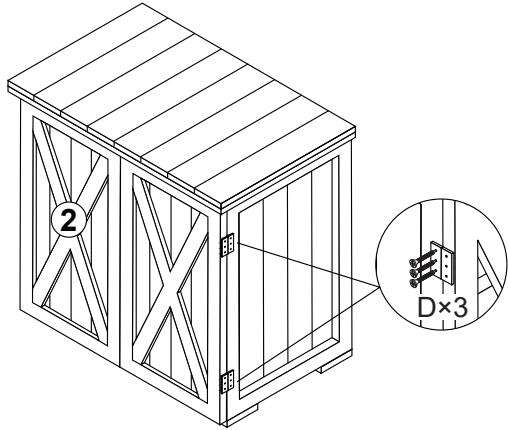
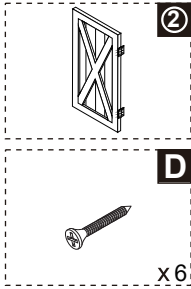
05



06



07



08

