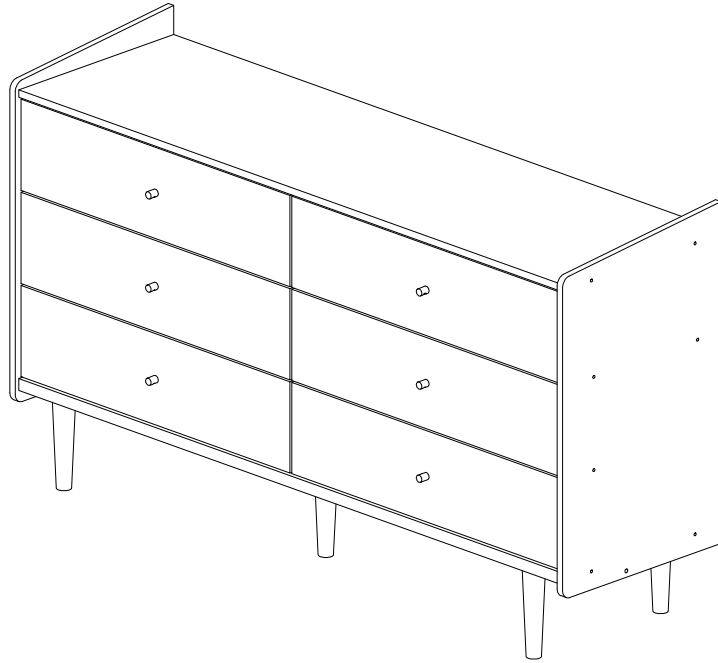
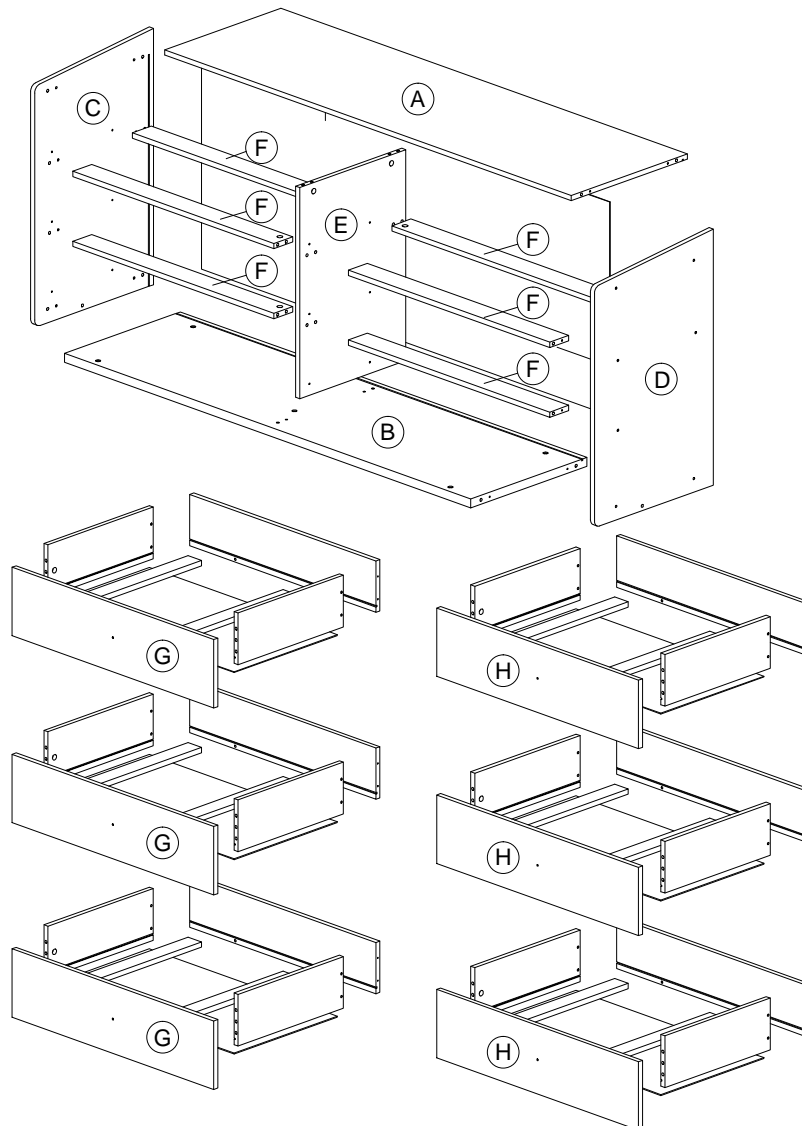


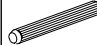


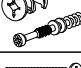

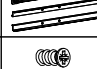

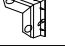
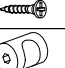



Assembly Instruction




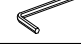



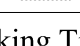



Part List



Assembly Instruction

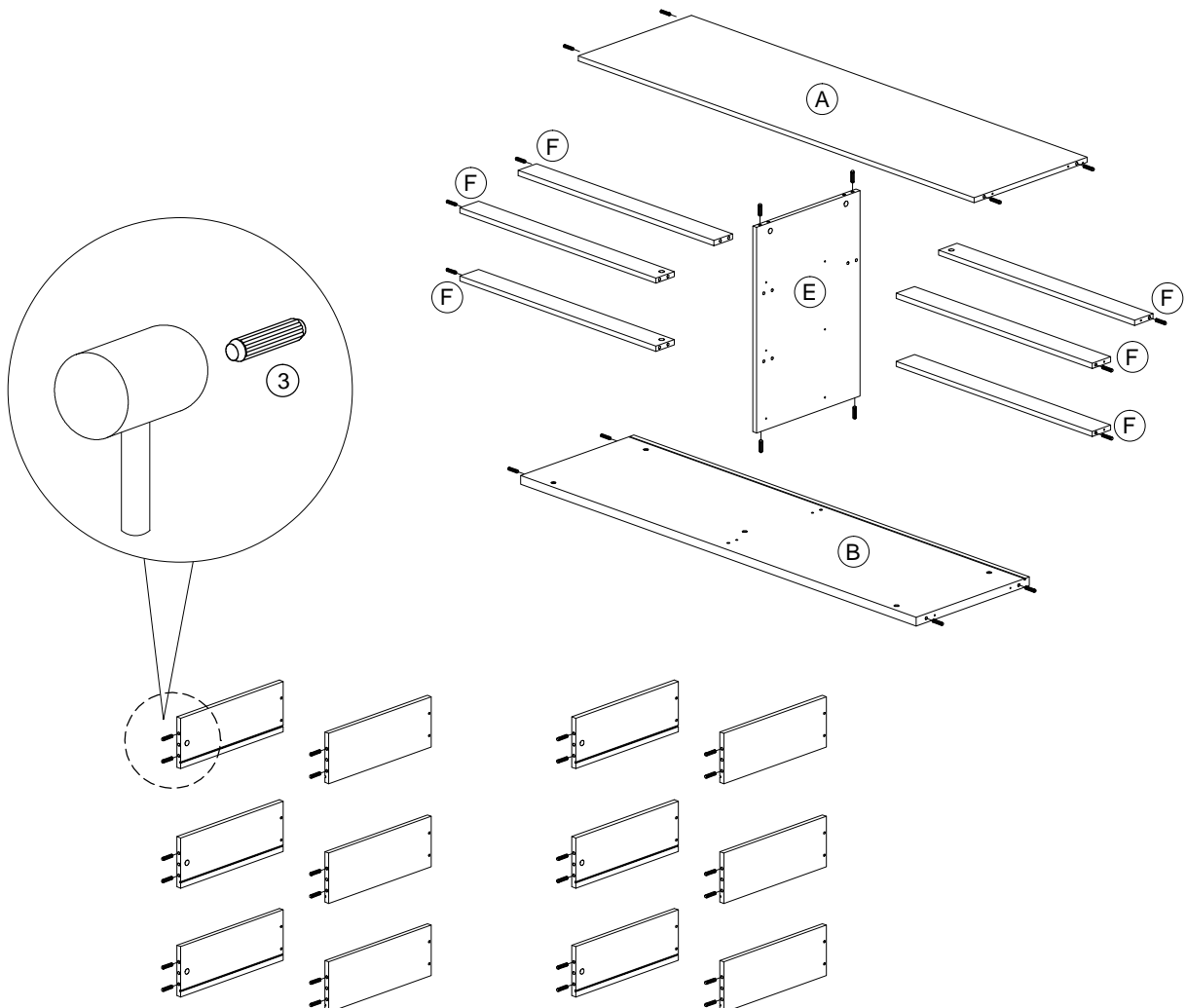
<i>Hardware List</i>			
No.	SHAPE	DESCRIPTION	Qty.
1		8x50mm Wood Dowel	3 Pcs
2		15MM (DOUBLE) Myfix Minifix	3 Sets
3		8x25mm Wood Dowel	42 Pcs
4		15MM Myfix Minifix	26 Sets
5		M4x38mm Screw	42 Pcs
6		Drawer Slide = 300mm	6 Sets
7		M5x8mm Screw (Euro Screw)	24 Pcs
8		M3.5x16mm Screw	36 Pcs
9		Z Bracket	2 Pcs
10		M3x16mm Screw	4 Pcs
11		Handle Wood Ø15x20mm Handle Screw (M4 x 25mm)	6Sets
12		Nail	8 Pcs

13		Wooden Leg Ø46 x 30mm (H 185mm)	5Pcs
14		Metal Crossbar 1505 x 25 x 25	1Pc
15		JCBC - Blot M6x40mm	2Pcs
16		L Key	1Pc
17		M4x65mm Screw	2 Pcs
18		M5x40mm Screw	14 Pcs
19		15mm Minifix Cap	12 Pcs
20		Screw Cap	14 Pcs
21		M6x50mm Screw	5Pcs

Packing Tipping Restraint

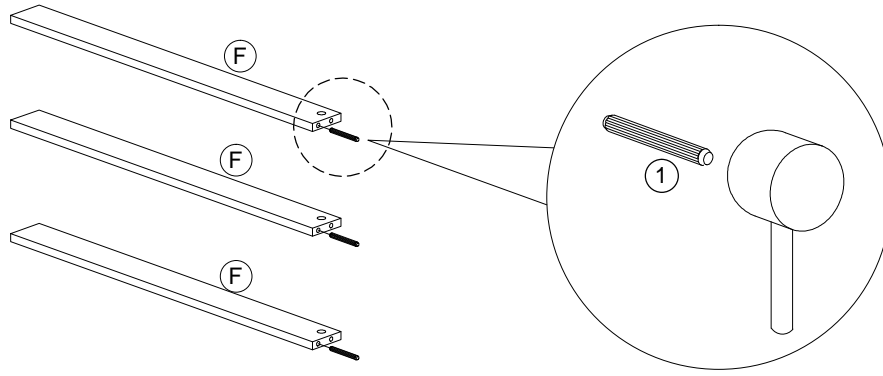
<i>Hardware List</i>			
No.	SHAPE	DESCRIPTION	Qty.
1		M3.5x15mm Screw	2Pcs
2		Safety Strap	2Pcs
3		Wall Plug	2Pcs
4		M4x30mm Screw	2Pcs
5		Flat Washer 6x19x2mm	4Pcs

STEP 1

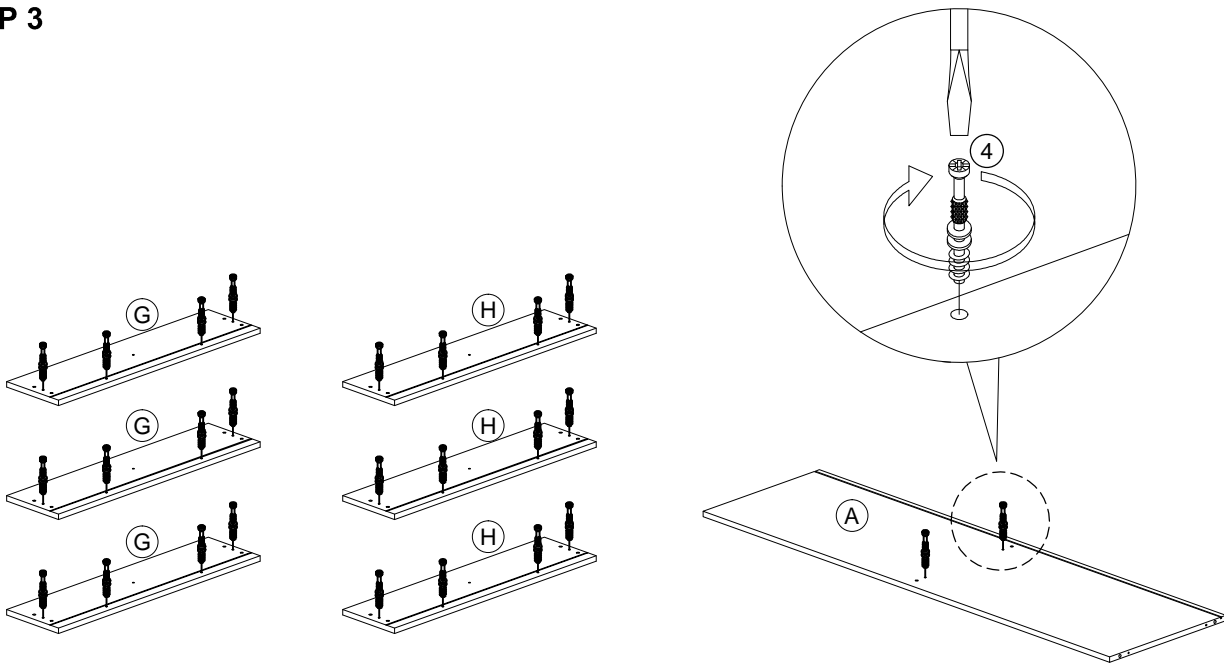


Assembly Instruction

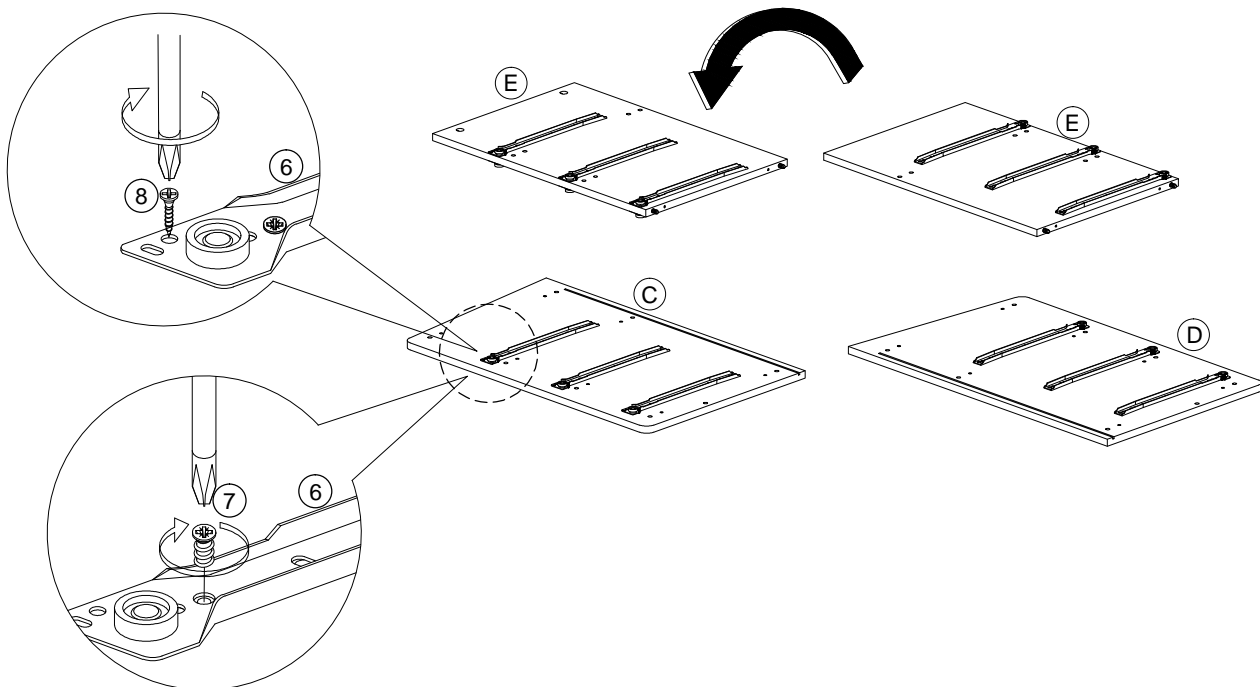
STEP 2



STEP 3

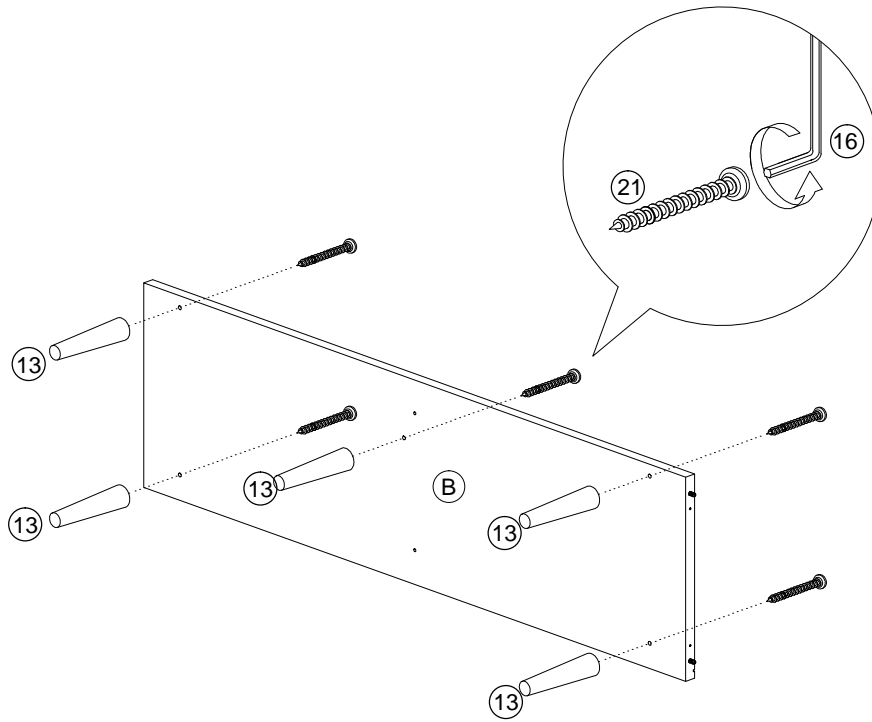


STEP 4

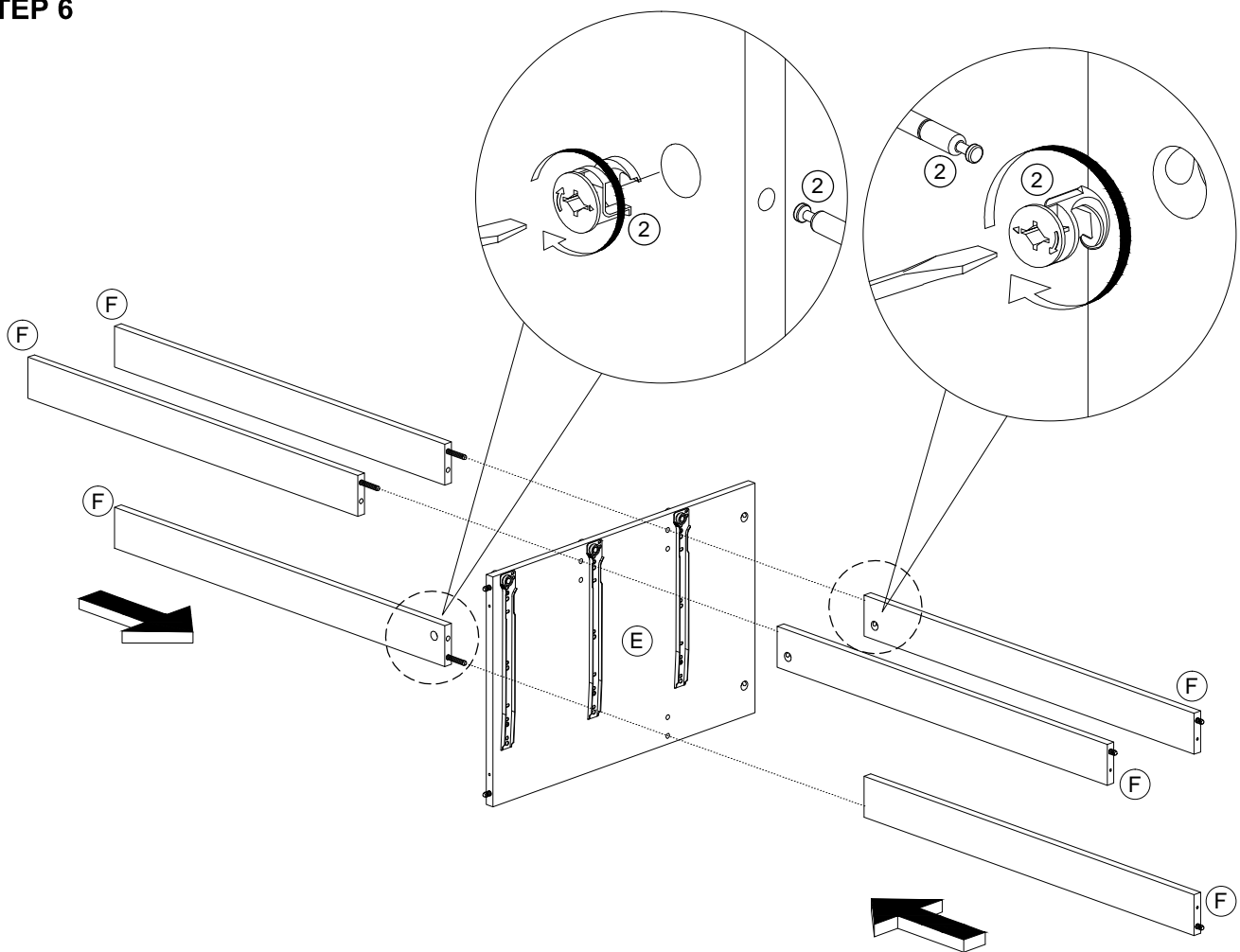


Assembly Instruction

STEP 5

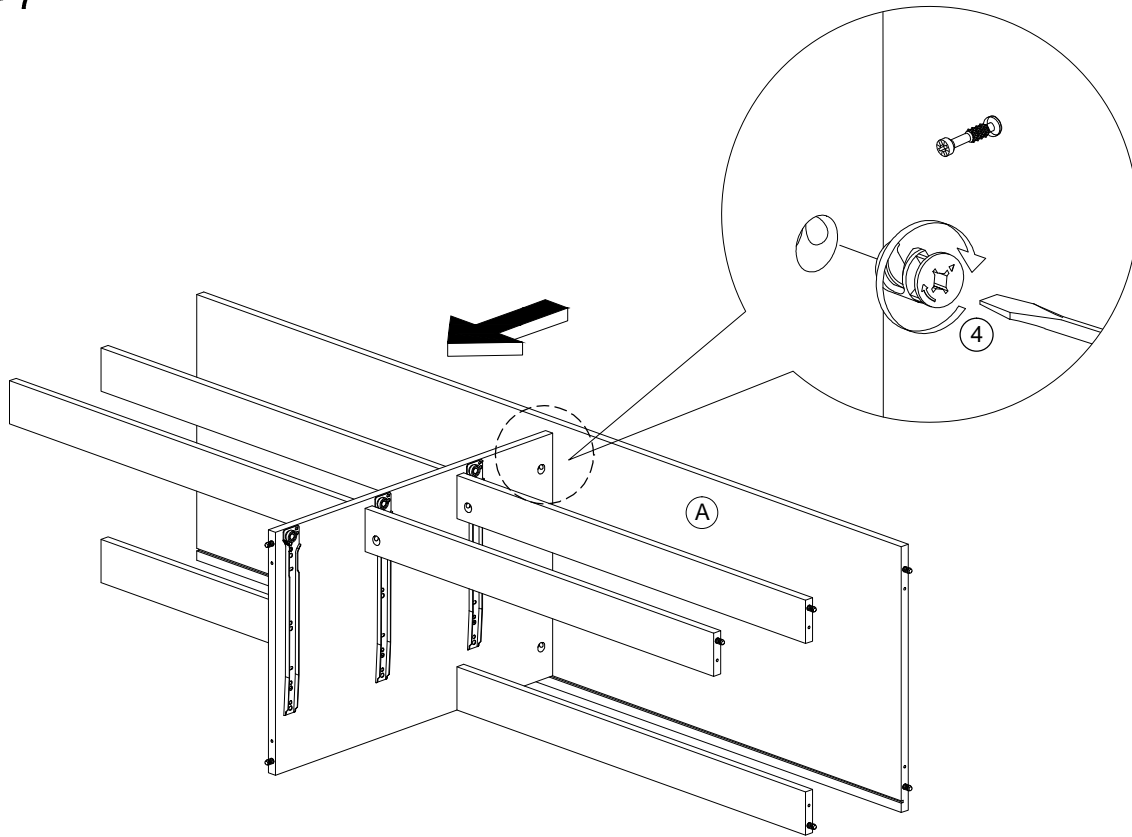


STEP 6

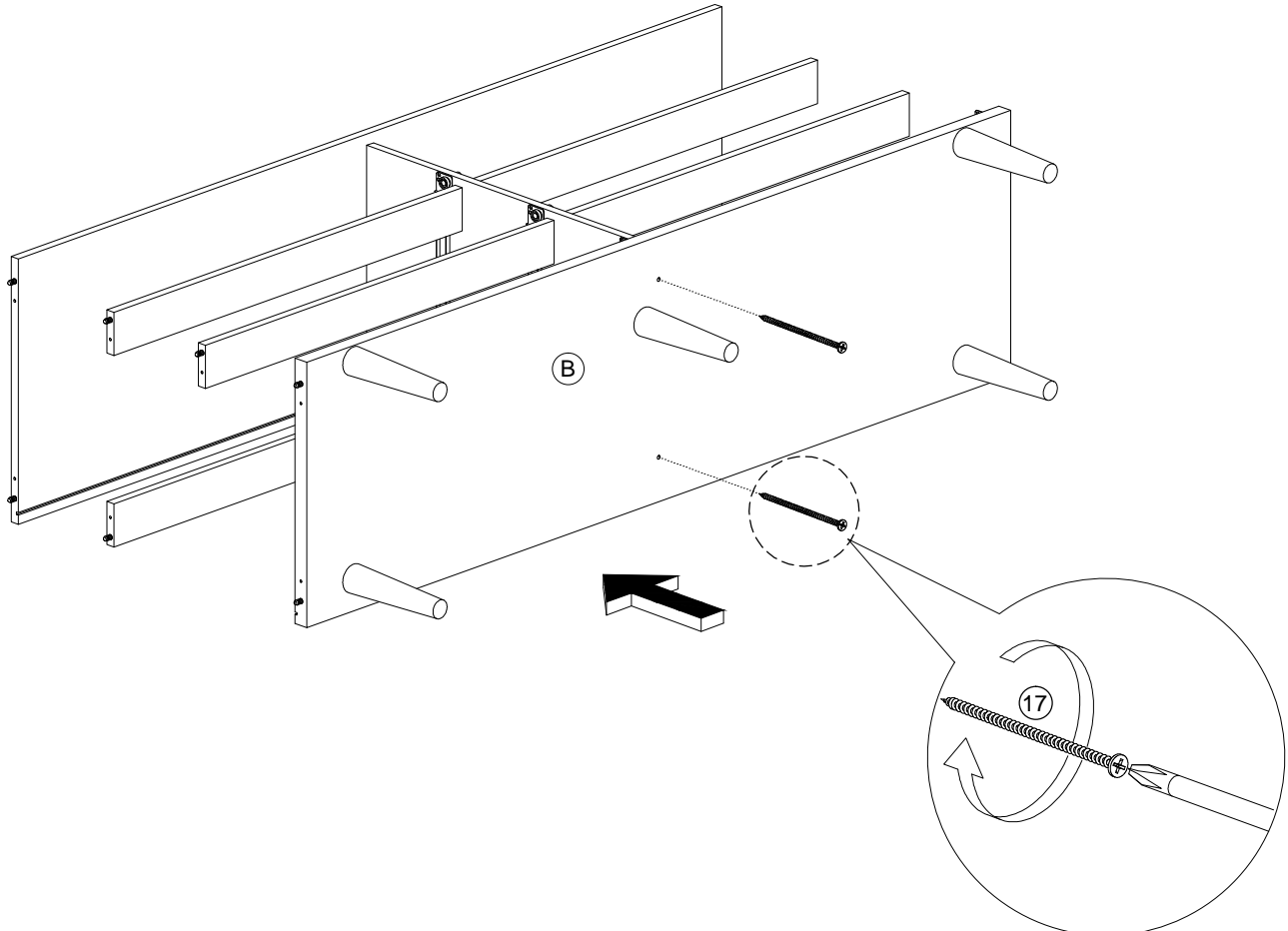


Assembly Instruction

STEP 7

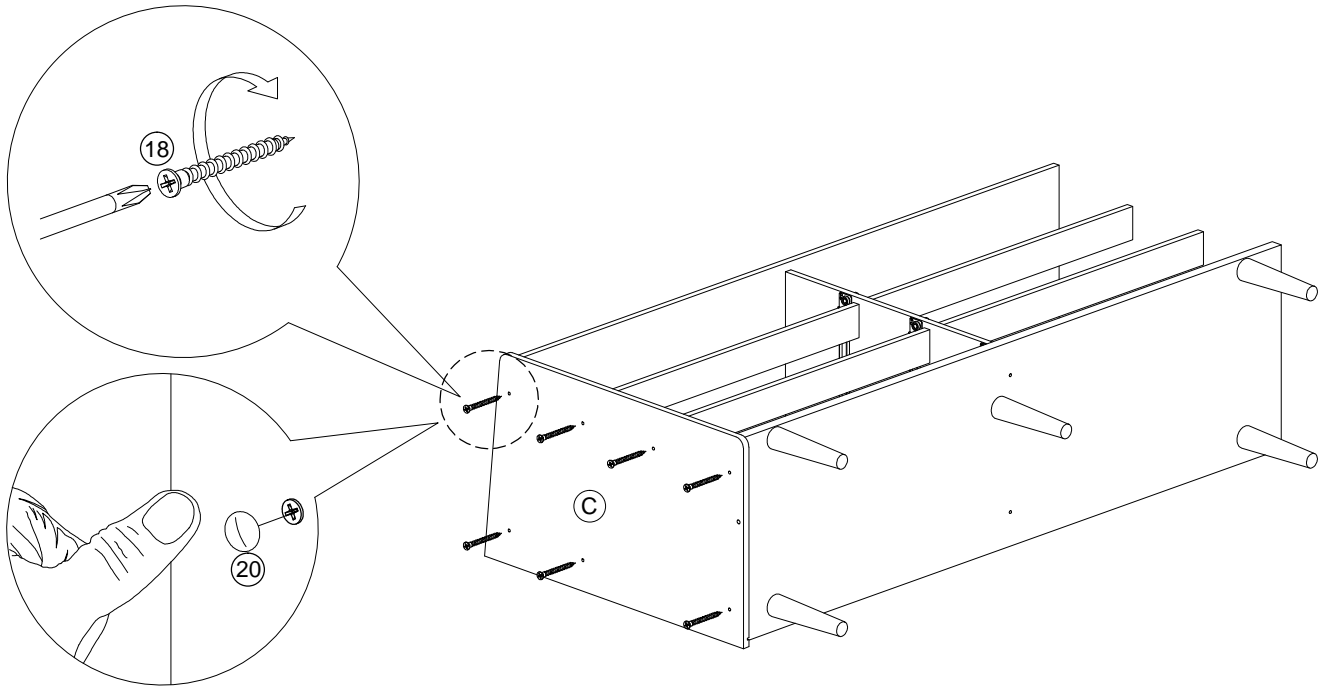


STEP 8

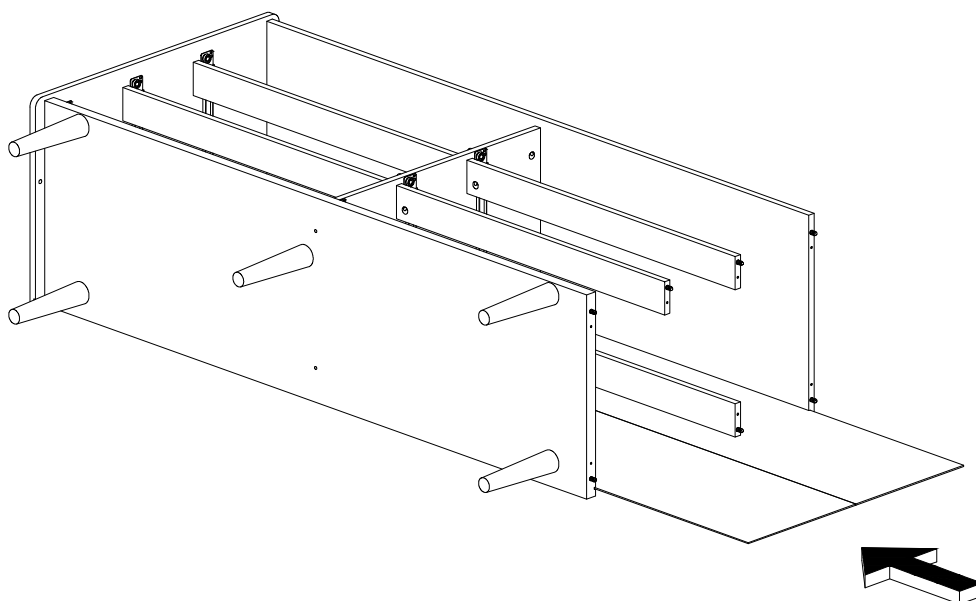


Assembly Instruction

STEP 9

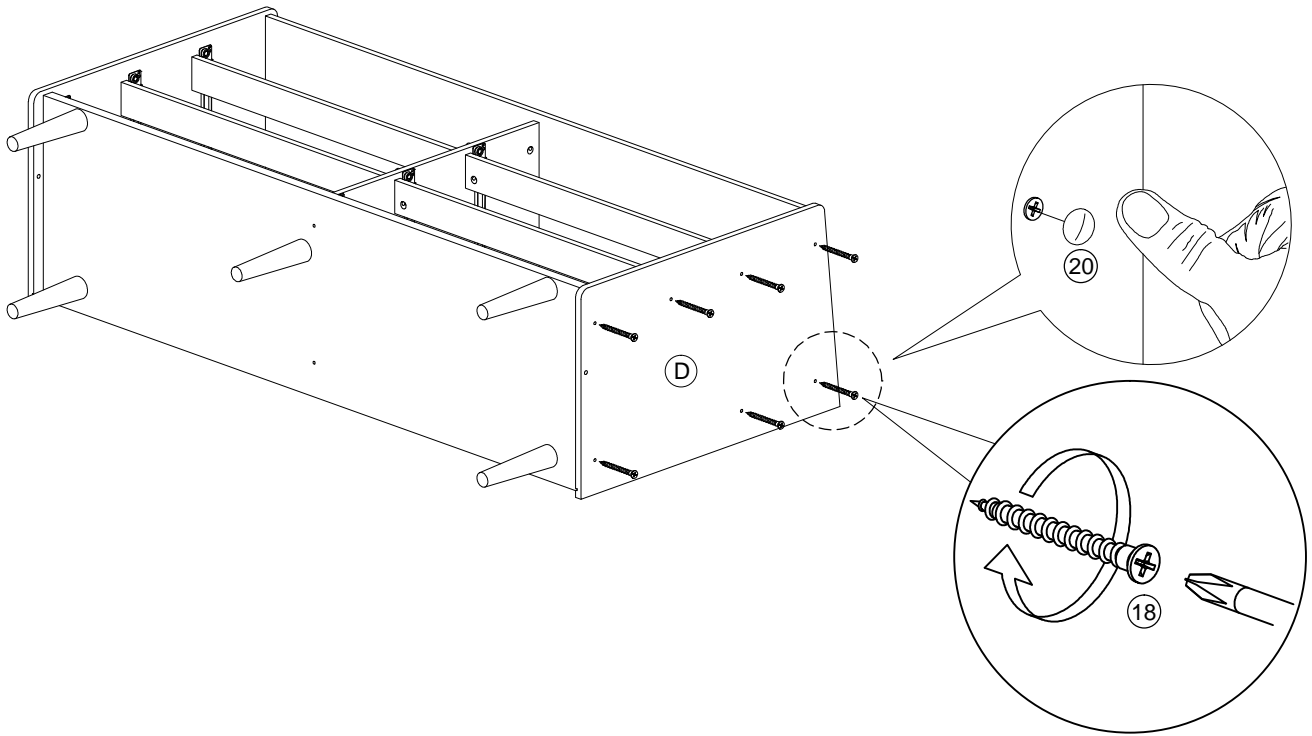


STEP 10

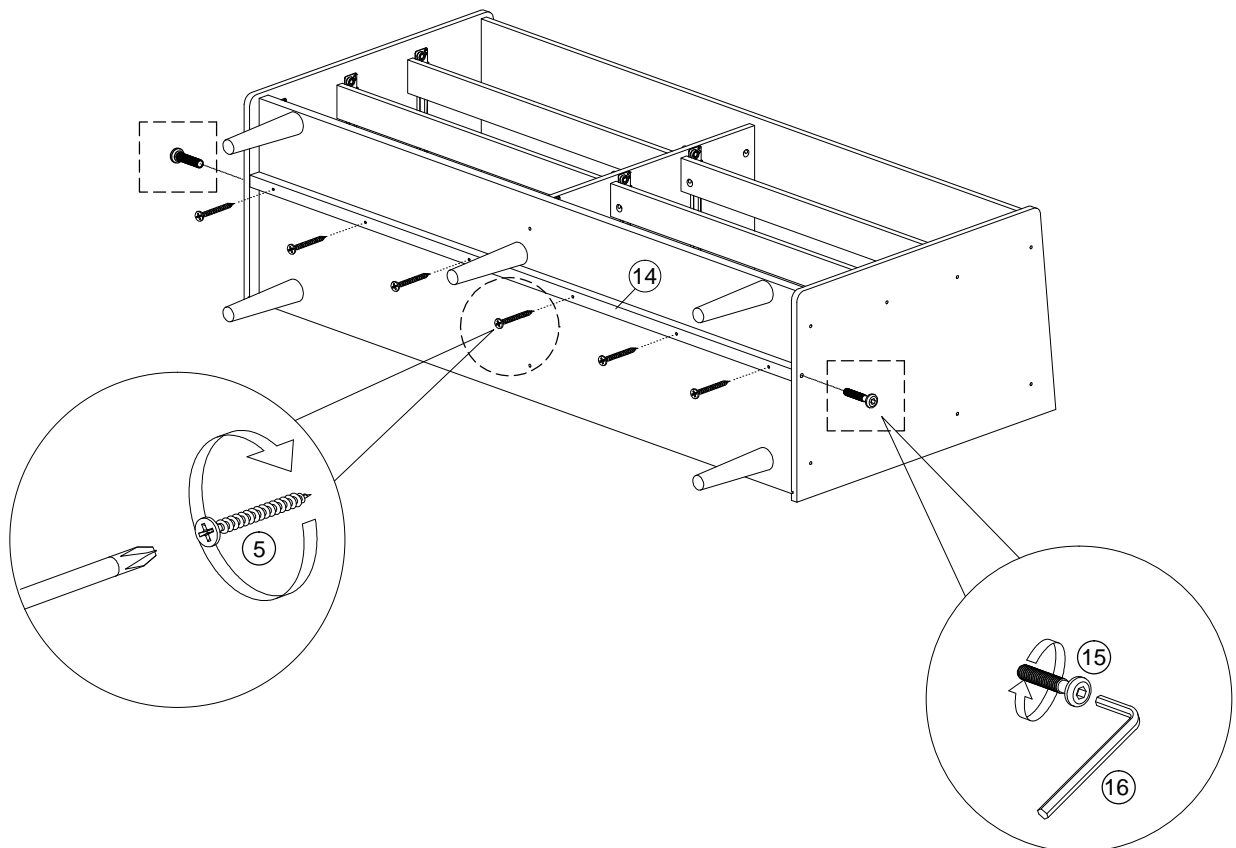


Assembly Instruction

STEP 11

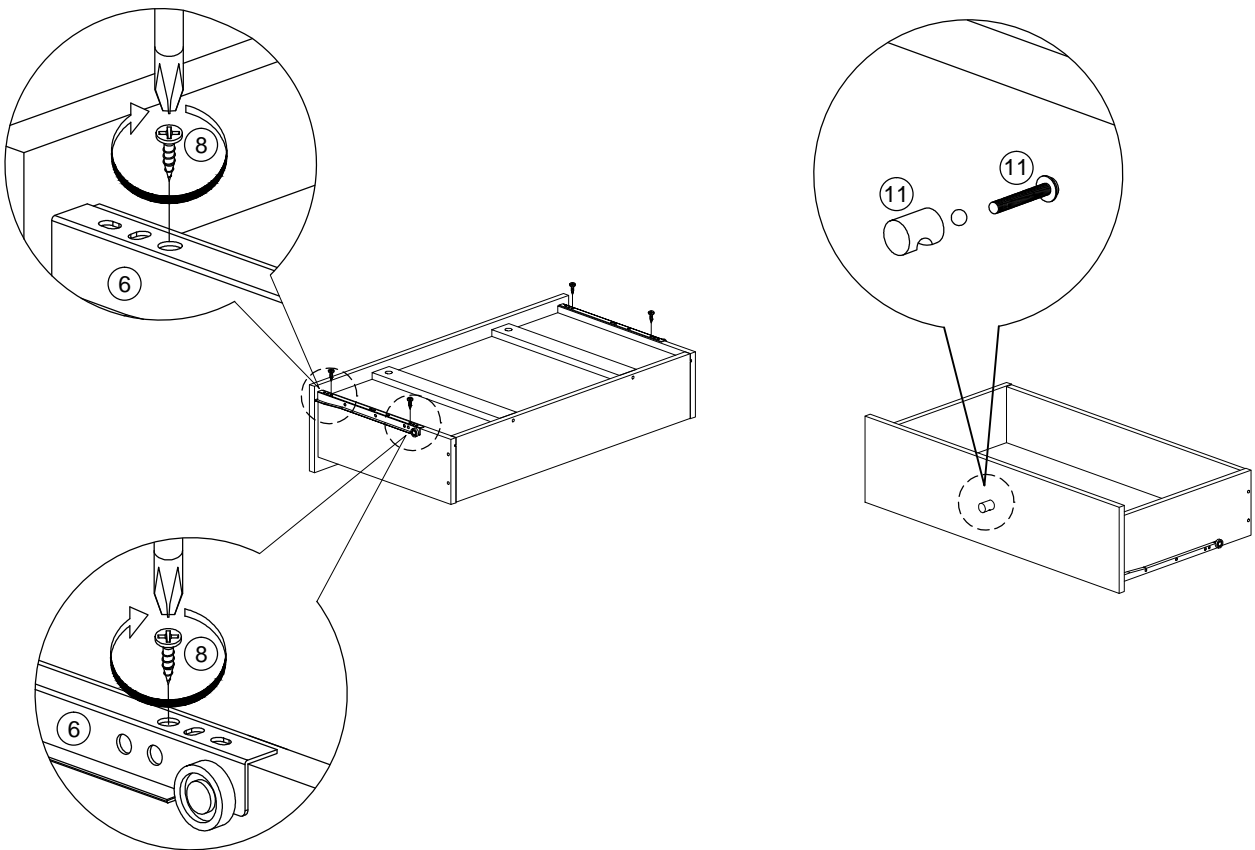
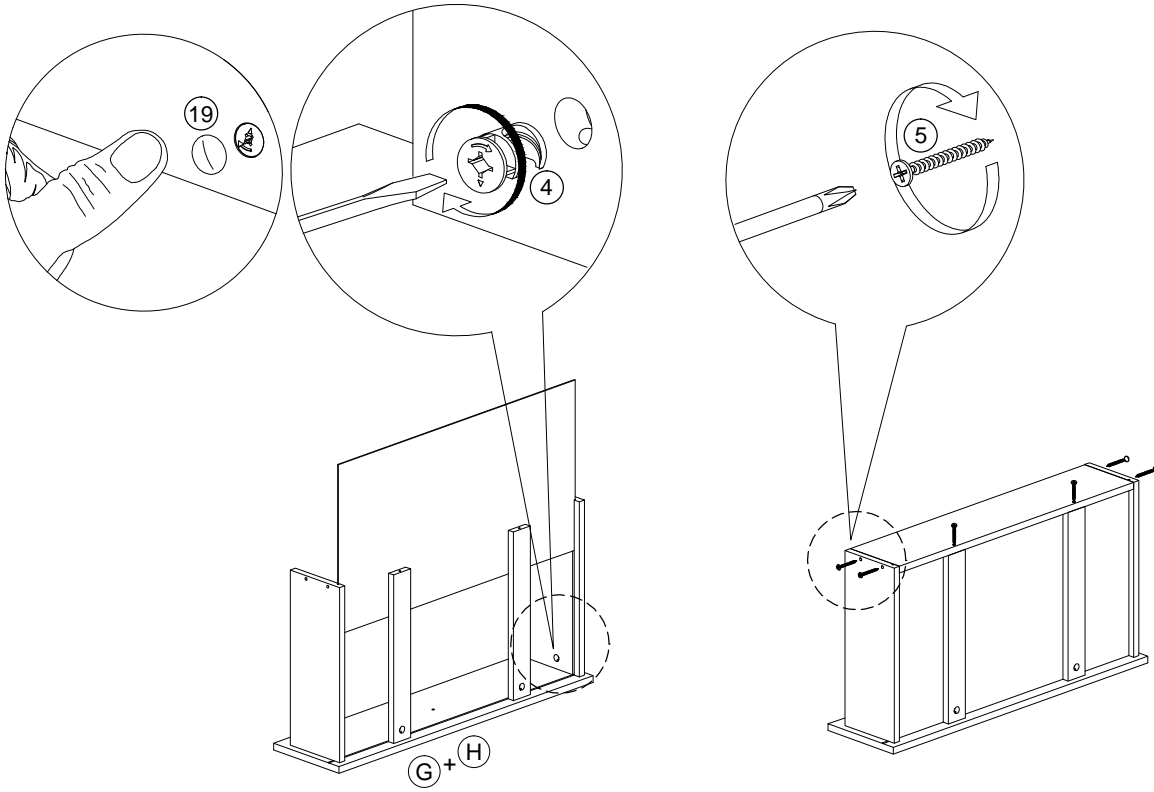


STEP 12



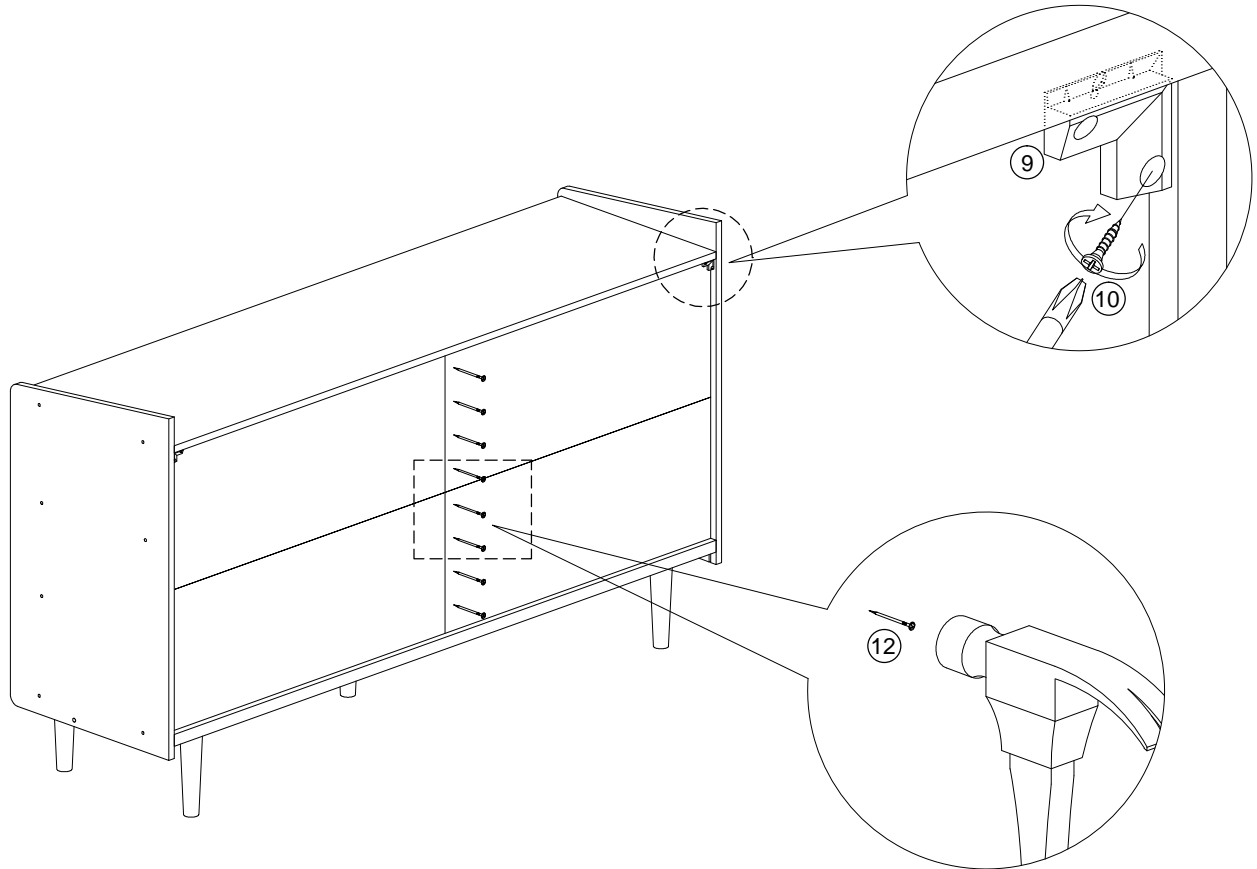
Assembly Instruction

STEP 13

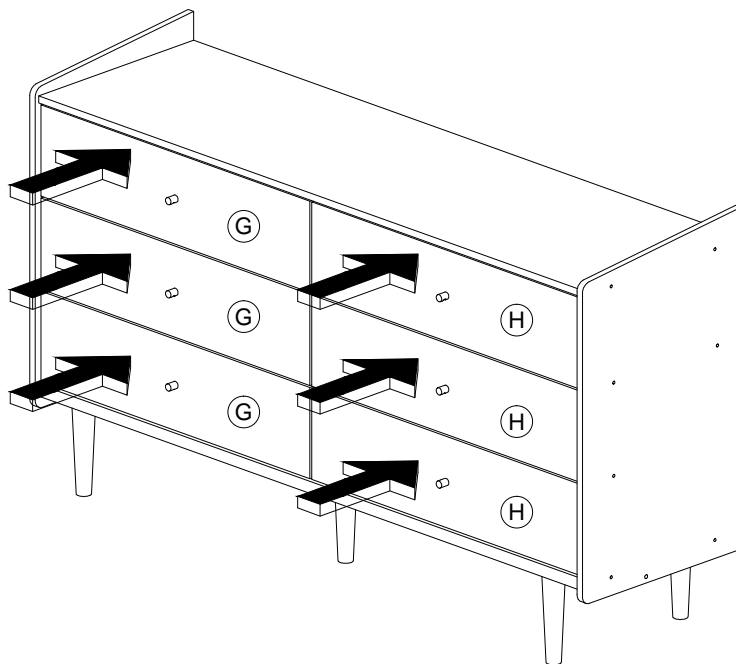


Assembly Instruction

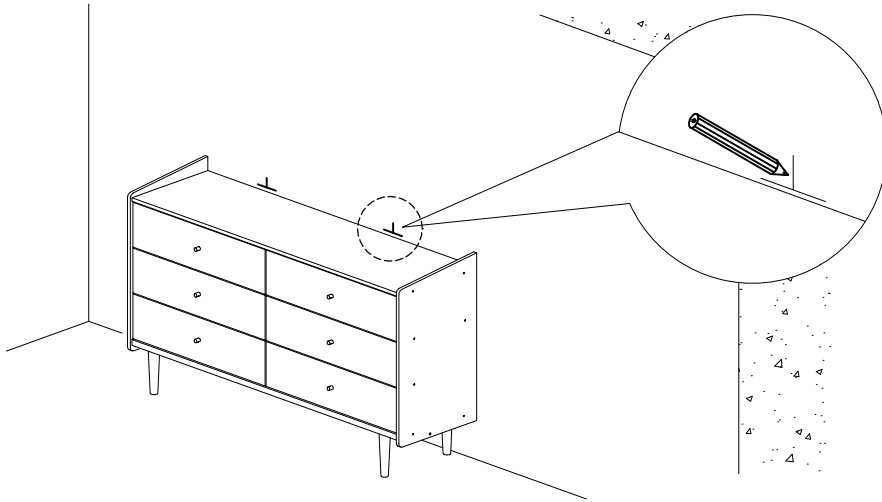
STEP 14



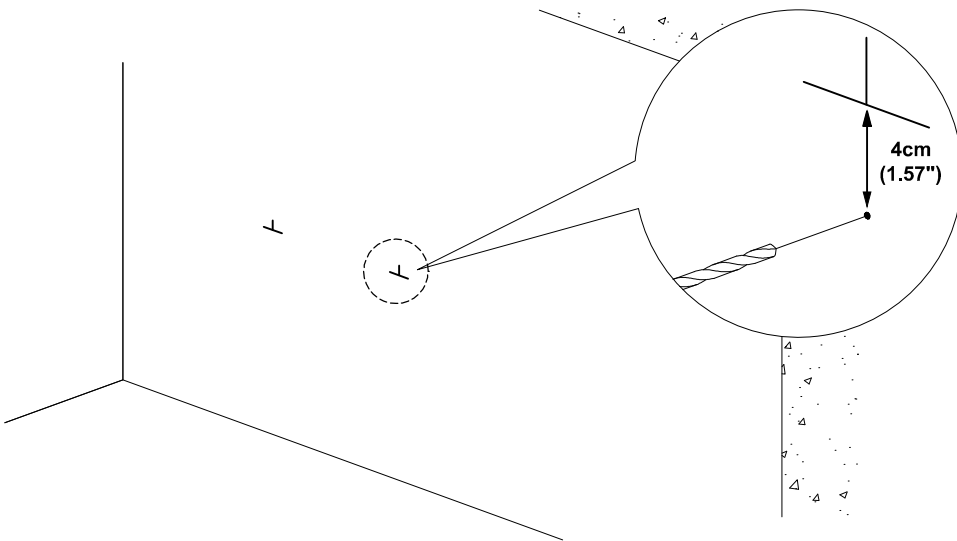
STEP 15



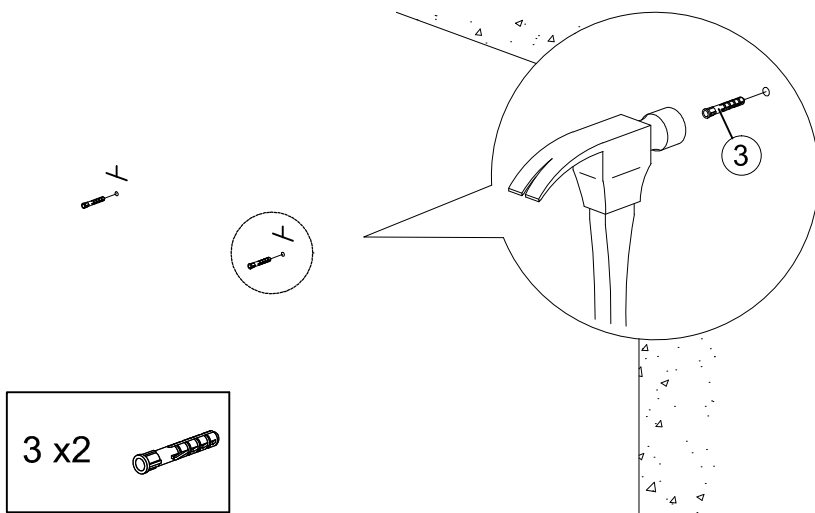
FURNITURE TIPPING RESTRAINT



1. First mark the wall with pencil as in diagram.

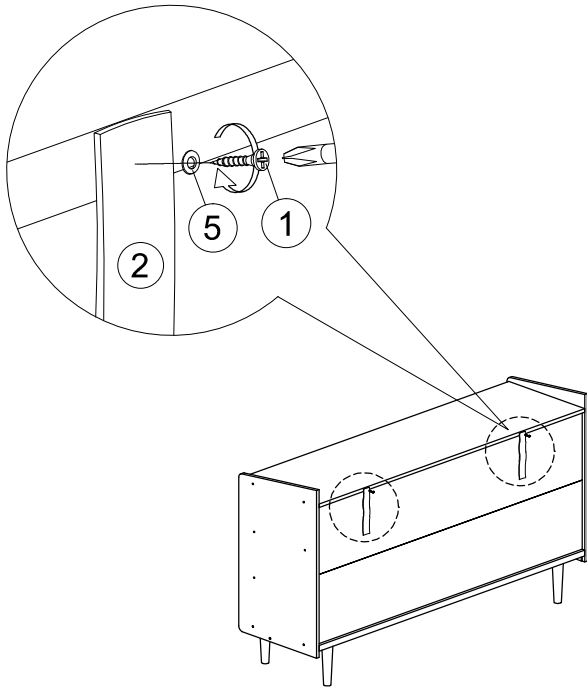


2. Drill small hole at the pencil mark.

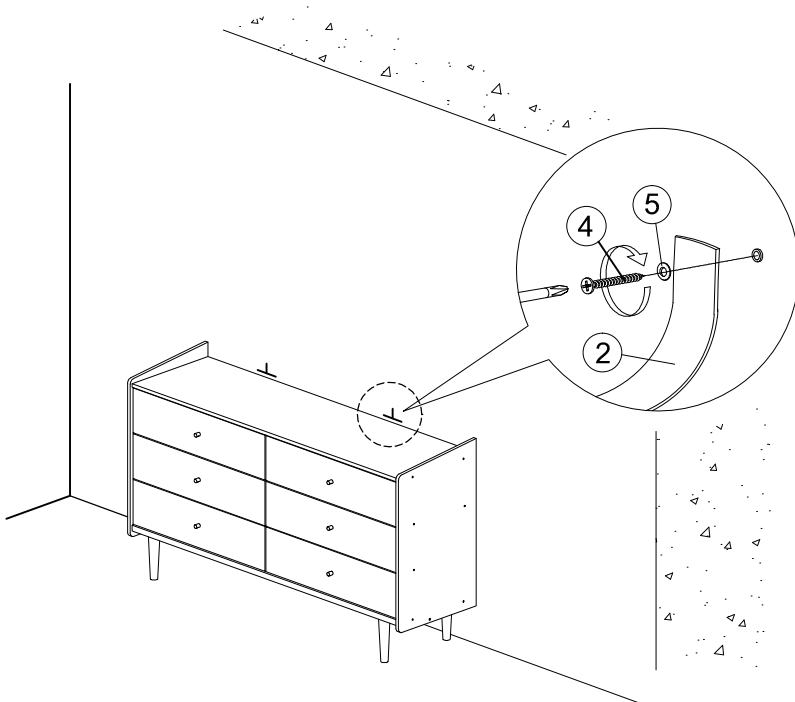
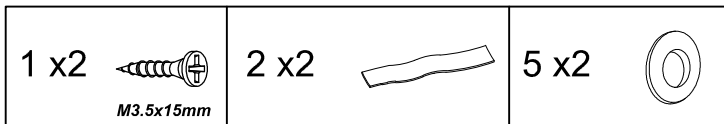


3. Insert plastic wall plug (3).

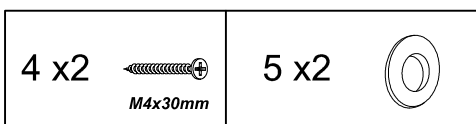
FURNITURE TIPPING RESTRAINT

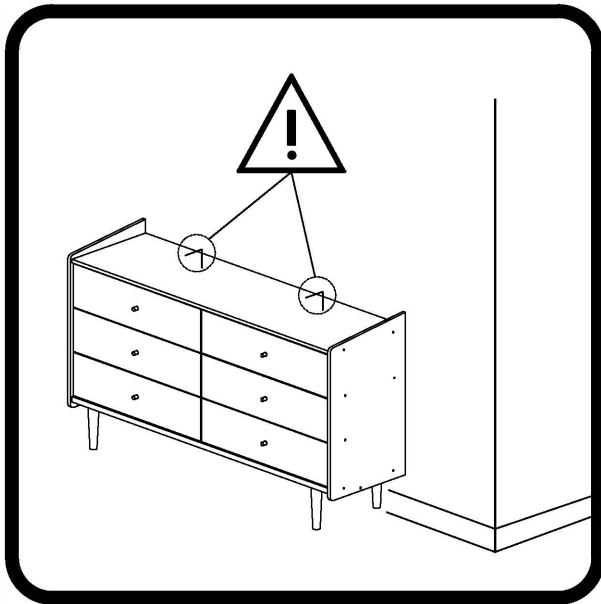


4. Add safety strap (2), washer (5) using 3.5x15mm screw (1) to back of cabinet.



5. Finally, attach safety strap (2) and washer (5) using 4x30mm screw (4) to the wall.





⚠ WARNING	
	<p>Children have died from furniture tipover. To reduce the risk of furniture tipover:</p> <ul style="list-style-type: none">• ALWAYS install tipover restraint provided.• NEVER put a TV on this product.• NEVER allow children to stand, climb or hang on drawers, doors, or shelves.• NEVER open more than one drawer at a time.• Place heaviest items in the lowest drawers. <p><i>This is a permanent label. Do not remove!</i></p>
	



Anti-Topple hardware included for added safety and stability