

BRIZO®

HYDRATI® 2|1 SHOWER

IN2ITION®

■ H2Okinetic® 2-In-1 Shower

FEATURES:

- Touch-Clean® Nozzles
- MagnaTite® Docking
- H₂Okinetic® Technology Hand Shower
- Certified Dual Check Valves

STANDARD SPECIFICATIONS:

- Maximum 2.5 gpm @ 80 psi, 9.5 L/min @ 550 kPa (86200-▲-2.5, 86201-▲-2.5, 86275-▲-2.5, 86280-▲-2.5)
- Maximum 1.75 gpm @ 80 psi, 6.6 L/min @ 550 kPa (86201-▲, 86280-▲, 86220-▲)
- Shower head and hand shower all in one
- 3-way diverter - showerhead only, handshower only, shower head and hand shower.
- Integrated hand shower docks securely into shower head with MagneDock® technology
- Four-setting push button handshower - H₂Okinetic® Spray, H₂Okinetic® Spray w/Massage, Massage Spray and Pause (86200-▲-2.5, 86201-▲, 86201-▲-2.5, 86275-▲-2.5, 86280-▲, 86280-▲-2.5)
- Five-setting hand shower - H₂Okinetic® Spray, Full Body Spray, Full Body Spray w/ Massage, Massage and Pause (86220-▲ only)
- 60" (1524 mm) stretchable finished metal hose stretches to 82" (2083 mm) for extra reach

WARRANTY

- Parts and Finish - Lifetime limited warranty; or for commercial purchasers, 10 years for multi-family residential (apartments and condominiums) and 5 years for all other commercial uses, in each case from the date the product is received by the original purchaser or their authorize representative (installation contractor, etc.).
- Please go to www.brizo.com for the complete details of our limited warranty.



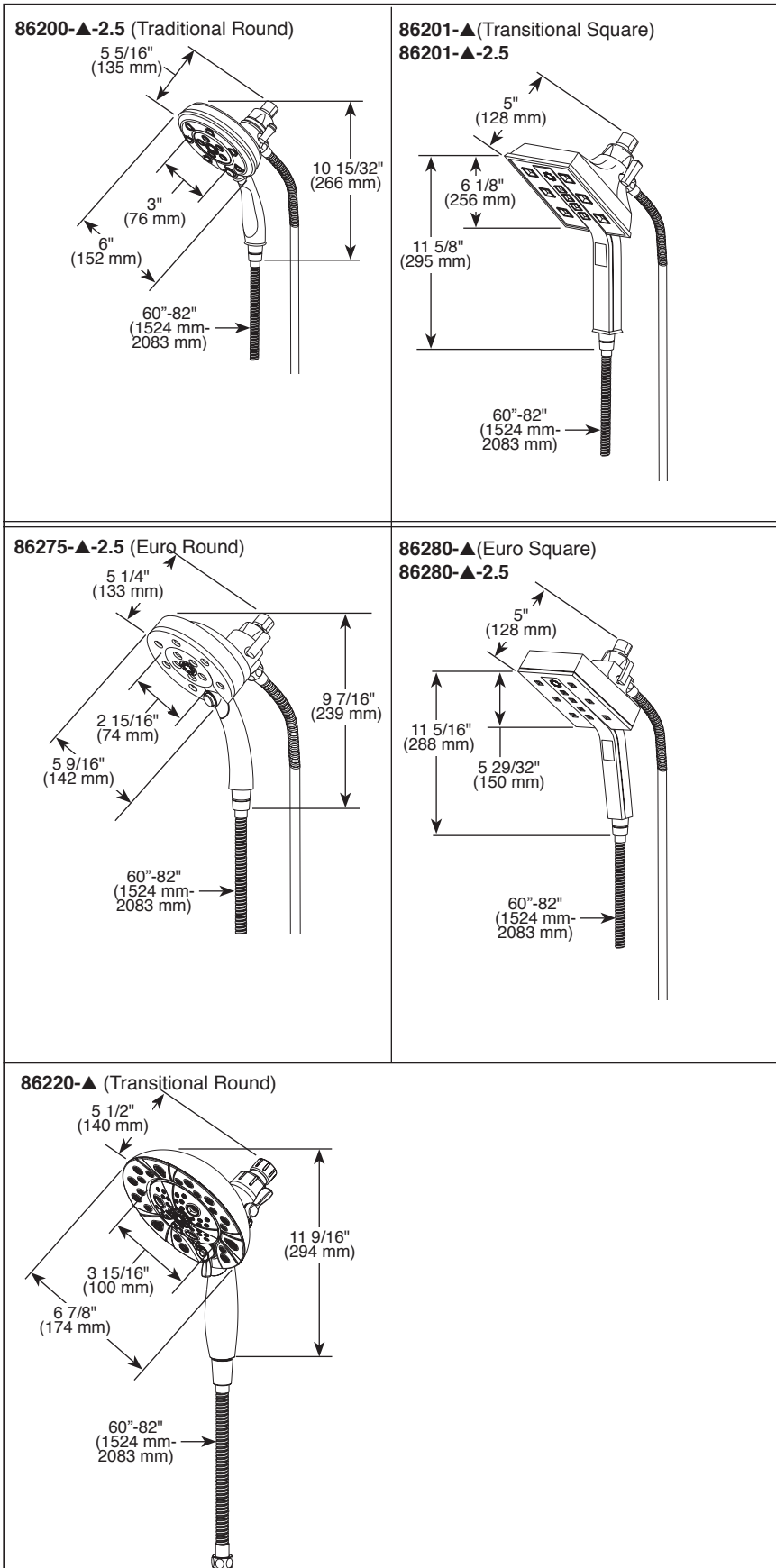
COMPLIES WITH:

- ASME A112.18.1 / CSA B125.1 ♦
- EPA WaterSense® -Applies to 86201-▲, 86280-▲, and 86220-▲ only

- ♦ Your Brizo hand shower incorporates a backflow protection system that has been tested to be in compliance with ASME A112.18.3 and ASME A112.18.1/CSA B125.1. It incorporates two certified check valves in series, which operate independently and are integral, non-serviceable parts of the wand assembly.

Brizo Kitchen & Bath Faucet Company

55 E. 111th Street, Carmel, IN 46280
350 South Edgeware Road, St. Thomas, ON N5P 4L1
© 2025 Brizo Kitchen & Bath Faucet Company



▲ Designate proper finish suffix

Brizo Kitchen & Bath Company reserves the right (1) to make changes in specifications and materials, and (2) to change or discontinue models, both without notice or obligation. Dimensions are for reference only. See current full-line price book or www.brizo.com for finish options and product availability.

BSP-B-86200 Rev. F