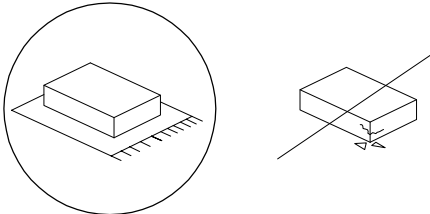
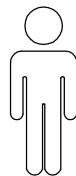
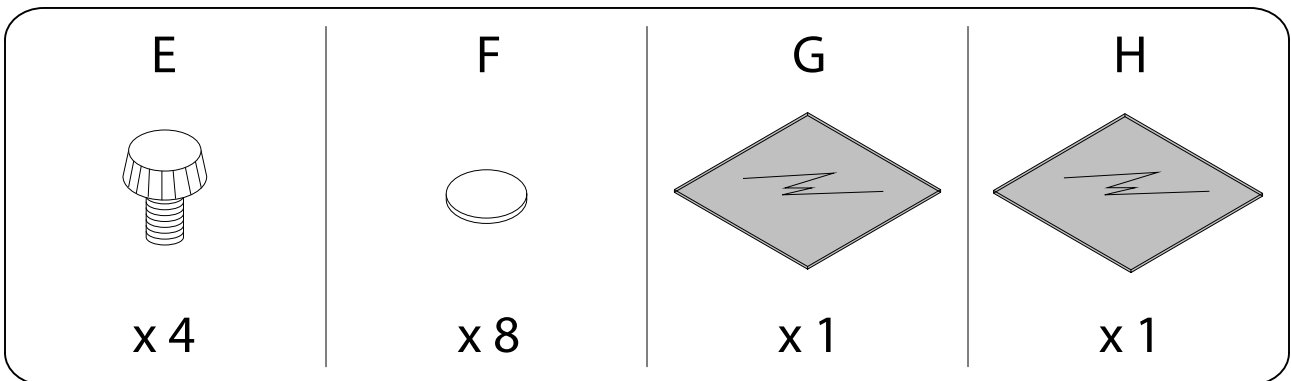
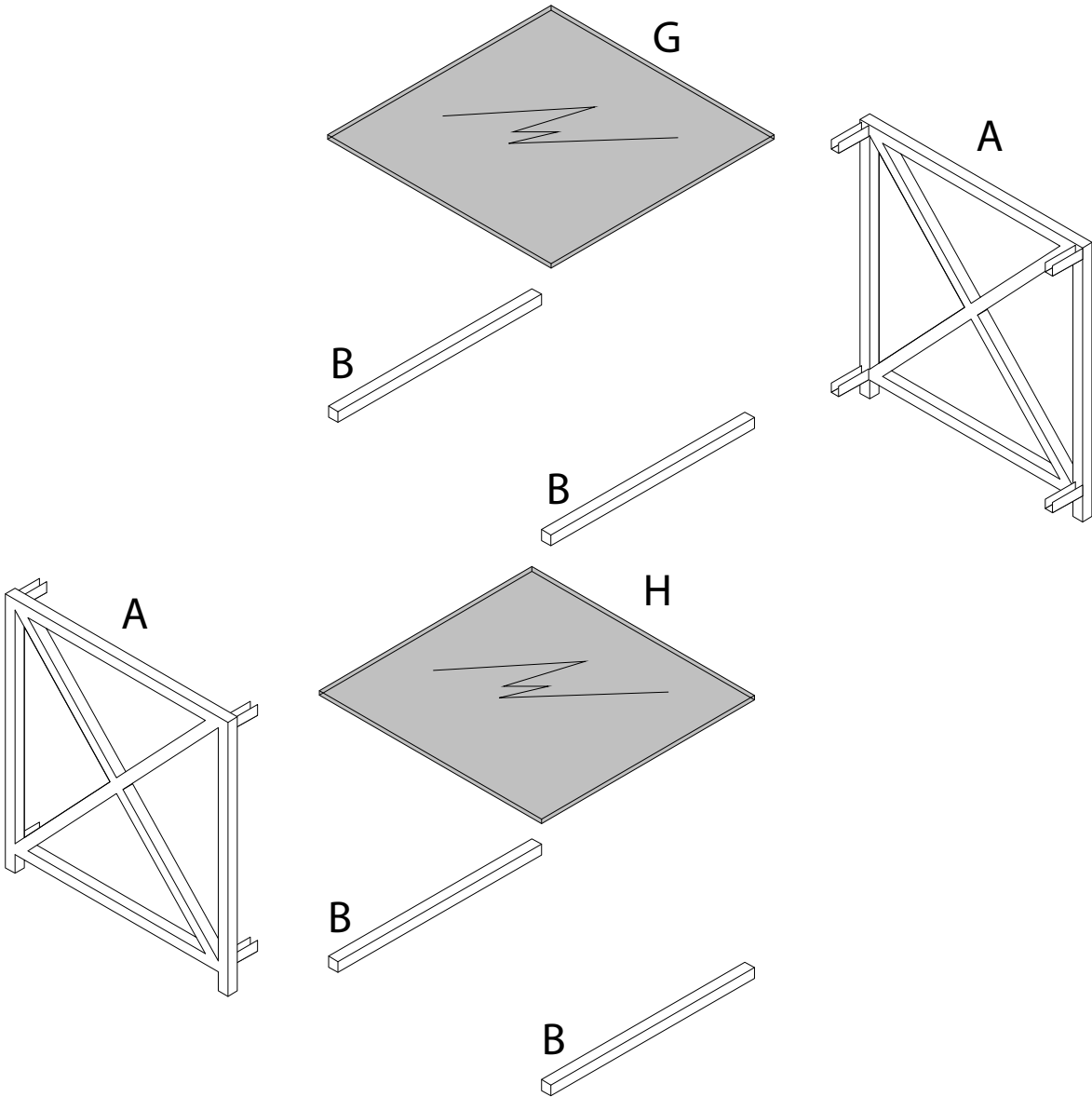
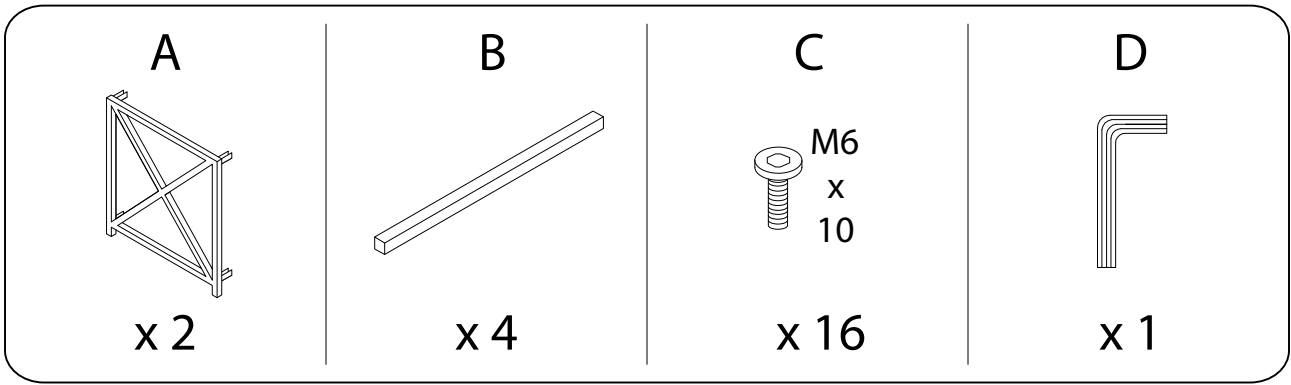
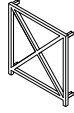
	<p>20'</p>
		
		<p>1</p>



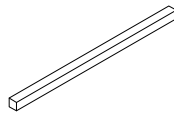
1

A



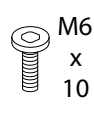
x 2

B



x 4

C



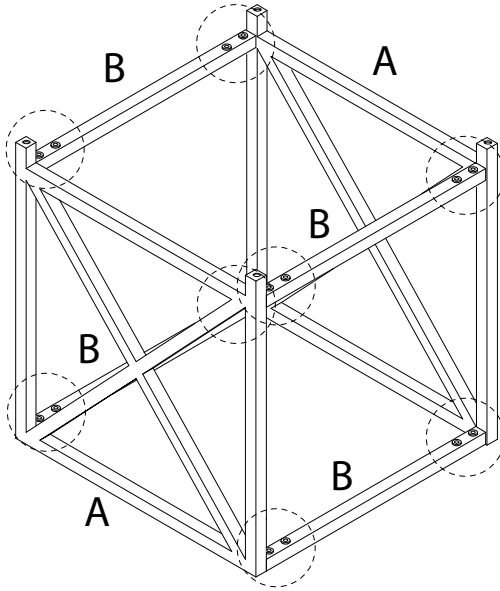
M6
x
10

x 16

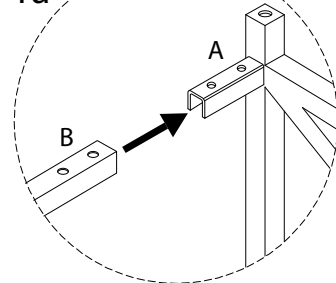
D



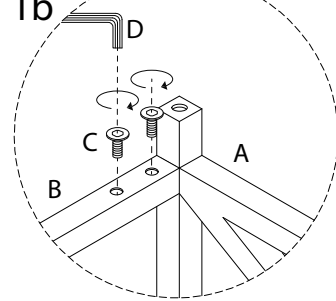
x 1



1a



1b

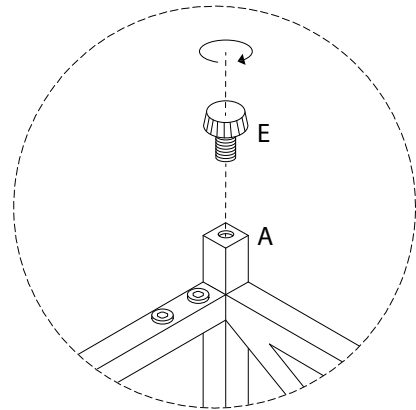
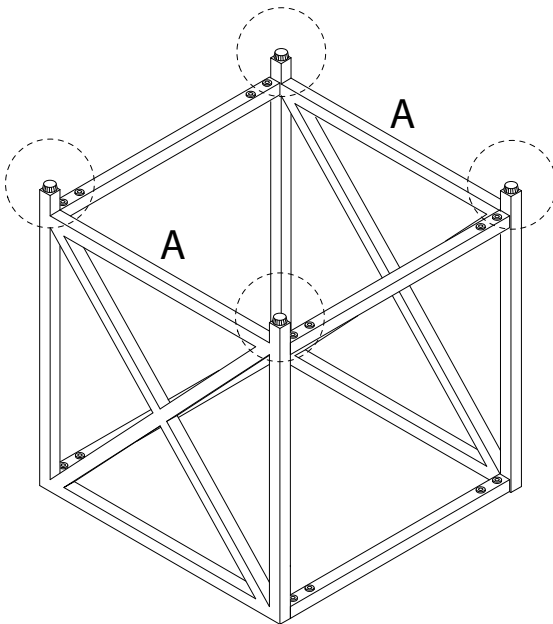


2

E



x 4

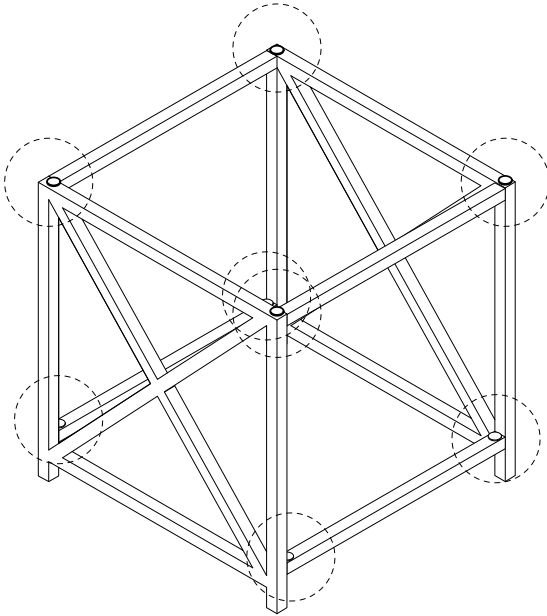


3

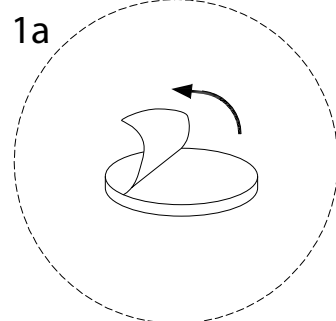
F



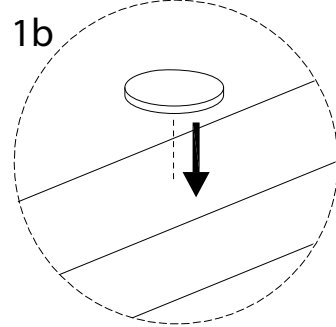
x 8



1a

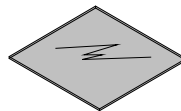


1b

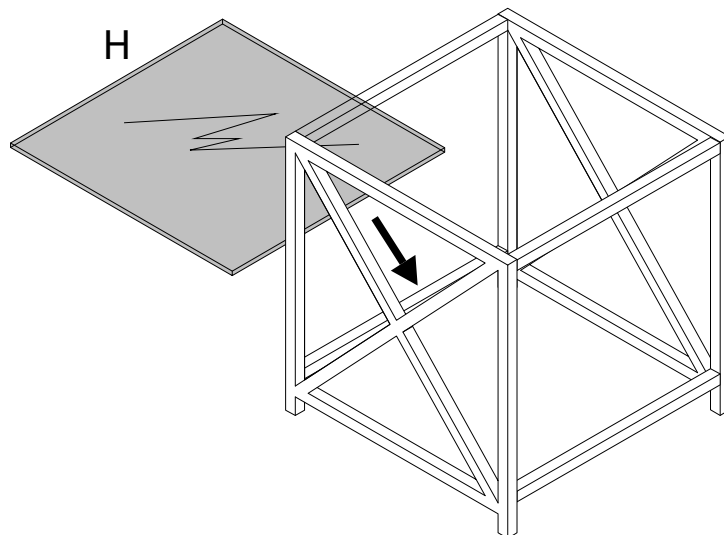


4

H



x 1



5

