

NOTICE

- * Please make sure that you have all parts indicated and they are in good condition before you begin assembly of this item. Refer to part list and hardware list below for guidance.
- * This item should be assembled on a soft surface to prevent scratching the finish during assembly.
- * This item may require periodic tightening.
- * If you are having difficulty, our friendly Customer Care team is always here to help. Please email customersupport@safavieh.com








PREPARATION

- * Before beginning assembly of product, make sure all parts are present. Compare parts with part contents list and hardware contents list.
- * If any part is missing or damaged, do not attempt to assemble the product.
- * Estimated Assembly Time: 10 minutes.
- * Tools Required for Assembly (Included): Allen Key
- * Tools Required for Assembly (Not Included): Screw Driver

CARE AND MAINTENANCE

Adhesive felt pads should always be applied to areas of furniture which make direct contact with flooring, said application will prevent damage to the furniture and or surfaces on which the furniture lies. Object placed on articles of furniture should rest on non abrasive material as to prevent damage to the wood finish. Objects whose composition consists of plastic and rubber are known to discolor and damage the wood surfaces on which they rest. Wipe up spills immediately and avoid common hazards such as hot dishes, harsh solvents and abrasives. Cleaning should be done with a soft lint free cotton cloth dampened with water or furniture polish. On highly used surfaces we recommend applying a quality paste wax which should be used on a regular basis to provide additional protection from scratches and spills. How often you apply the wax depends on how much wear the furniture receives.

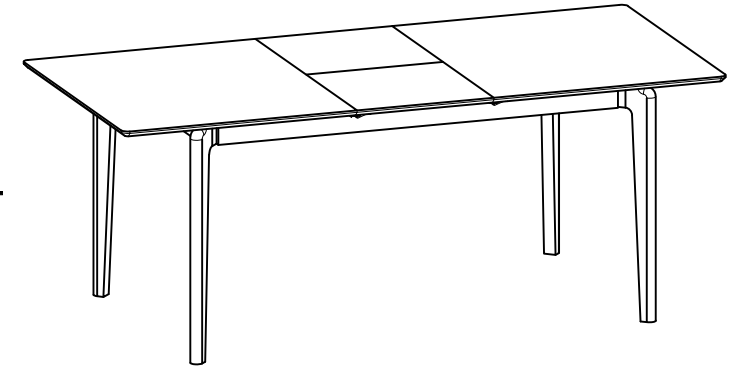
Part List and Hardware List

PIECE	DESCRIPTION	PICTURE	
A	TABLE TOP		1x
B	TABLE LEG		4x
HW1	M8X60MM JCBB		8x
HW2	SPLIT WASHER M8 x 8.5MM		8x
HW3	FLAT WASHER M8 x 8.5MM		8x
HW4	ALLEN KEY		1x
	SCREW DRIVER		NOT INCLUDED

SAFAVIEH FURNITURE

ITEM : DTB4304A

DIMENSION : W76.37"x D35.4"x H29.52"



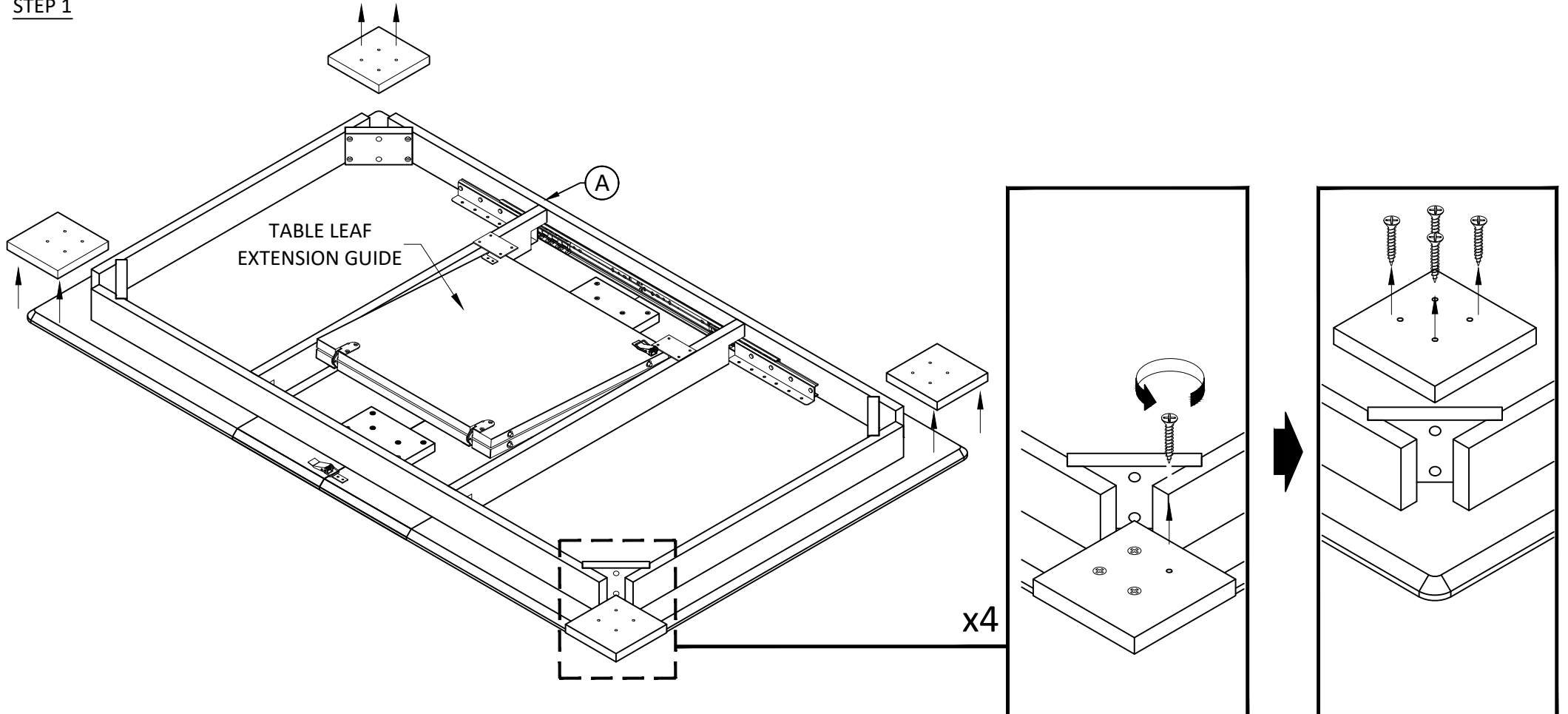
WARNING

Weight Capacity- 225 LBS
Warning: Do not stand on Table
Warning: Do not over torque Bolts

PREPARATION

- * Before beginning assembly of product, make sure all parts are present. Compare parts with contents list and hardware contents list.
- * If any part is missing or damaged, do not attempt to assemble the product.
- * Estimated Assembly Time: 10 minutes.
- * Tools Required for Assembly (Included): Allen Key
- * Tools Required for Assembly (Not Included): Screw Driver
- * If you are having difficulty, our friendly Customer Care team is always here to help. Please email customersupport@safavieh.com

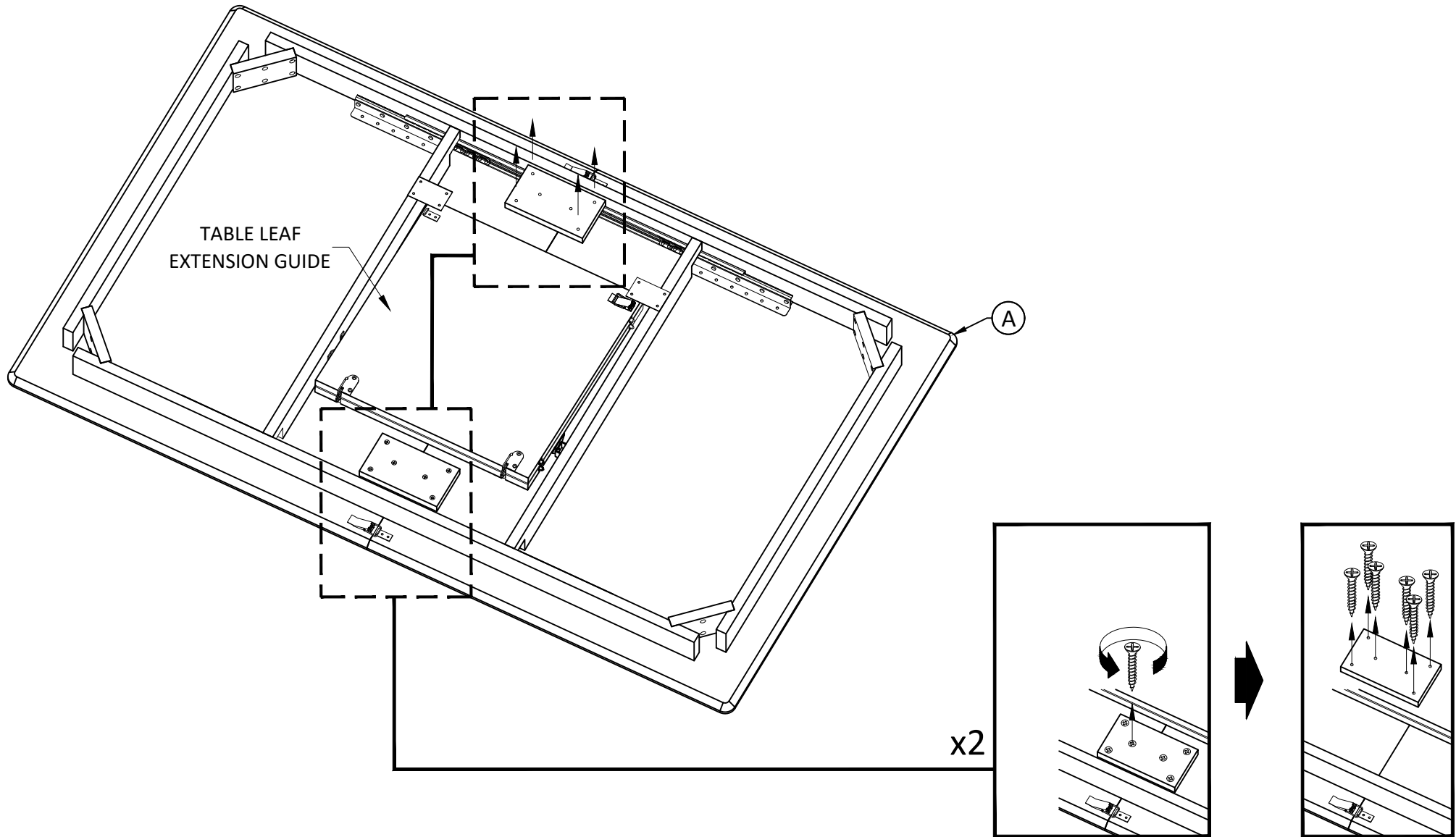
STEP 1



Take all the parts out.

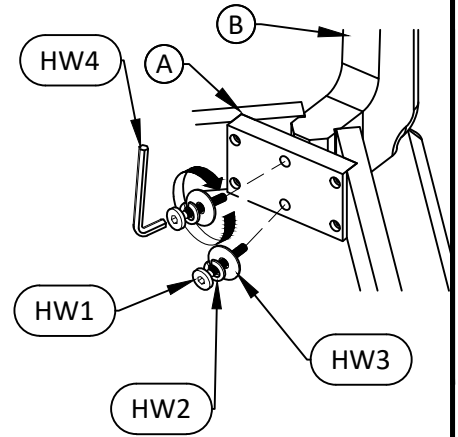
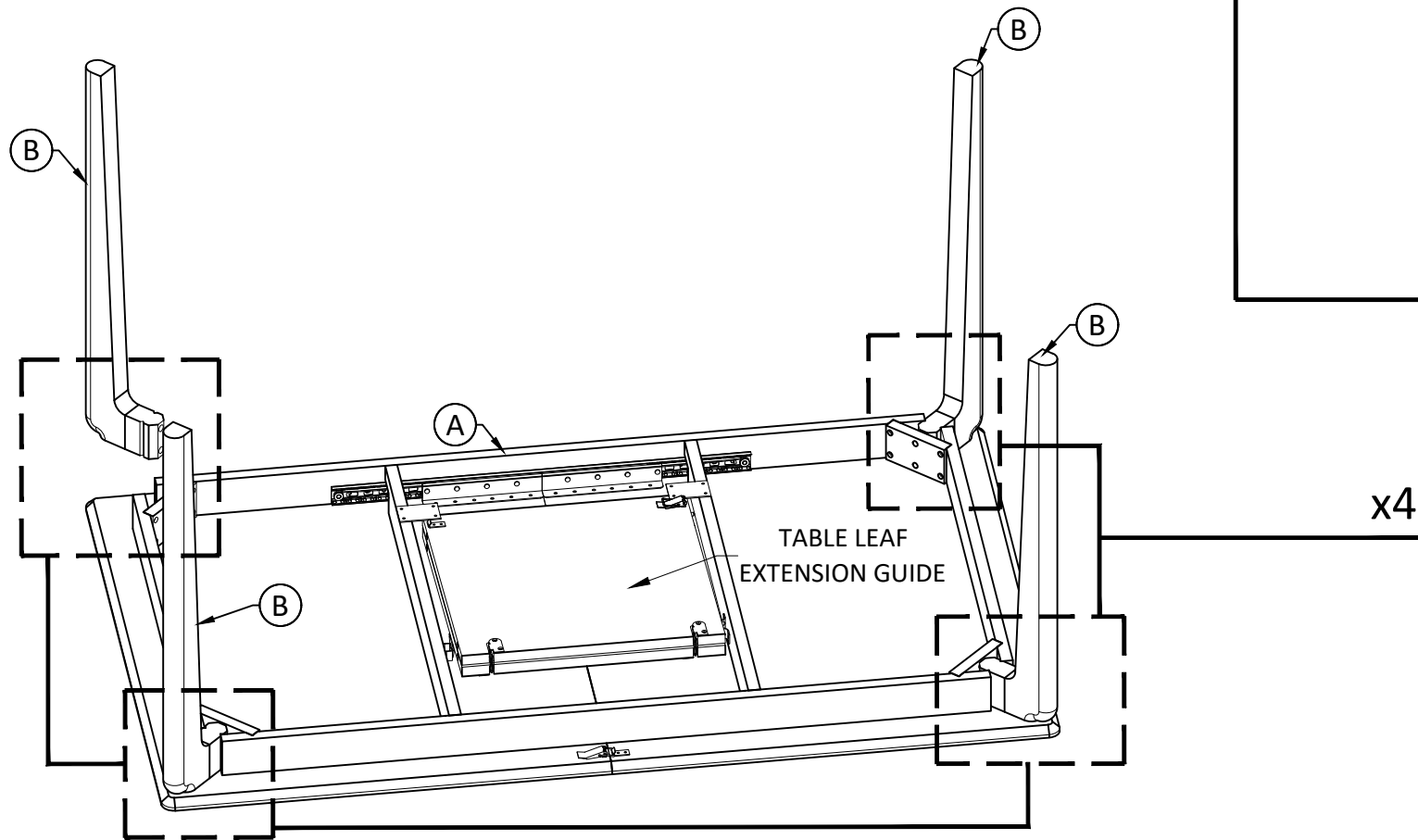
Remove the screw from all corner block as shown. The corner and panel blocks are pre-installed to protect the unit during shipping. After removing them in Step 1, please discard both the blocks and screws. These components are not required for final assembly.

STEP 2



Remove the screw from all panel block as shown. The corner and panel blocks are pre-installed to protect the unit during shipping. After removing them in Step 2, please discard both the blocks and screws. These components are not required for final assembly.

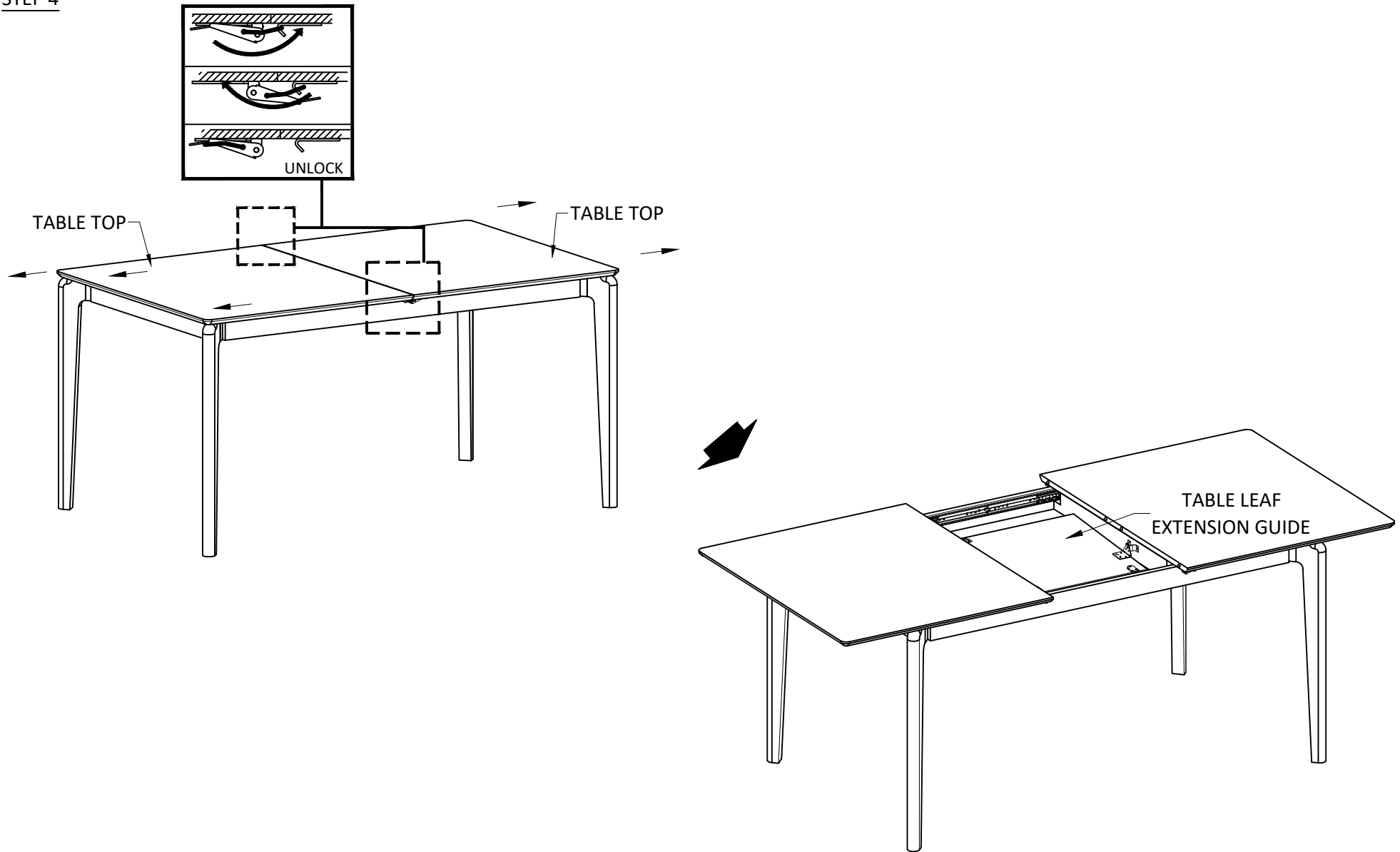
STEP 3



Attach connection the Table Leg(B) onto the Table Top(A) as shown.

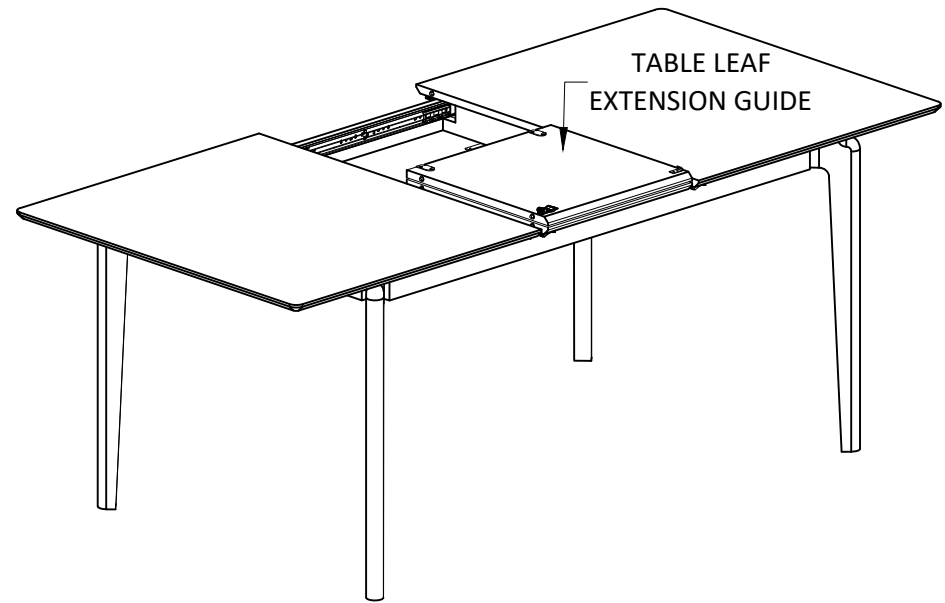
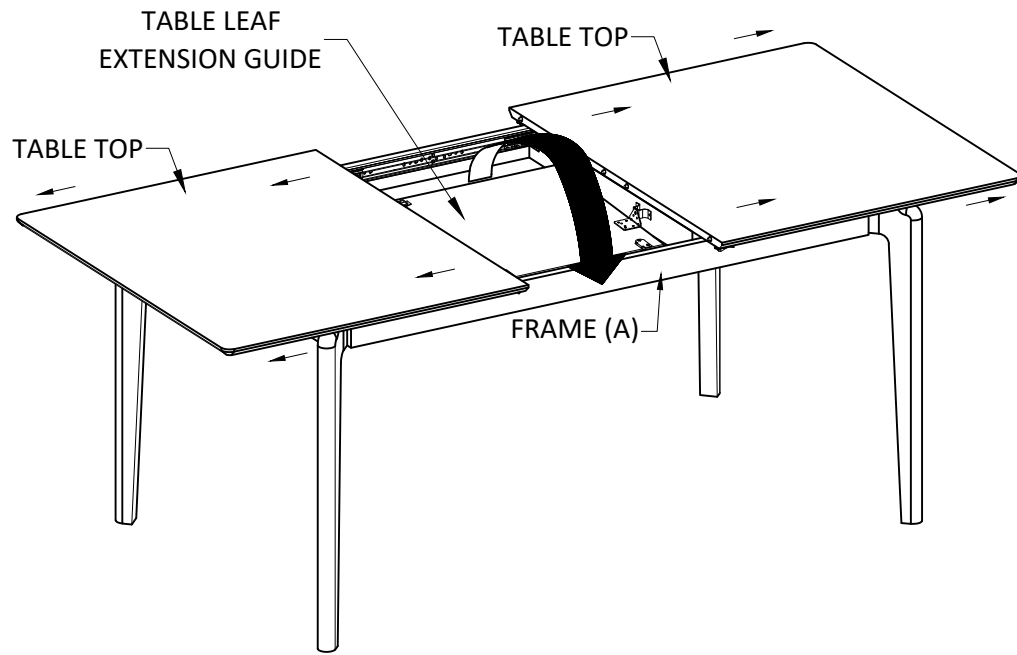
Position Table Leg(B) with holes facing to corner block holes of table frame. Insert Split Washer(HW2), Flat Washer(HW3) & JCBB Bolt(HW1) then tighten with Allen Key (HW4) provided. Repeat Step 2 for other 3 legs assembly.

STEP 4



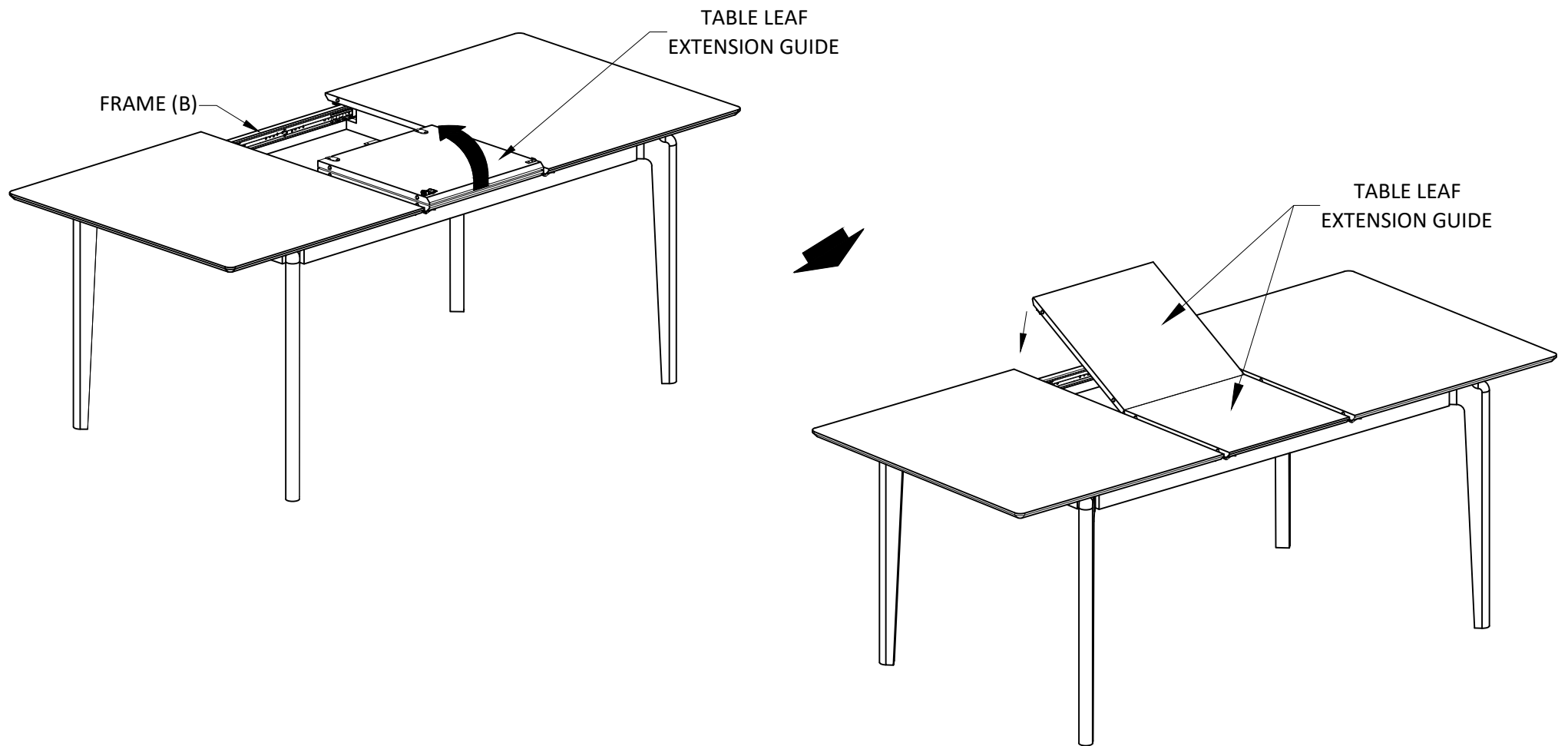
To Extend/ Open
Pull out the Table Top as shown with the arrow before unlock.

STEP 5



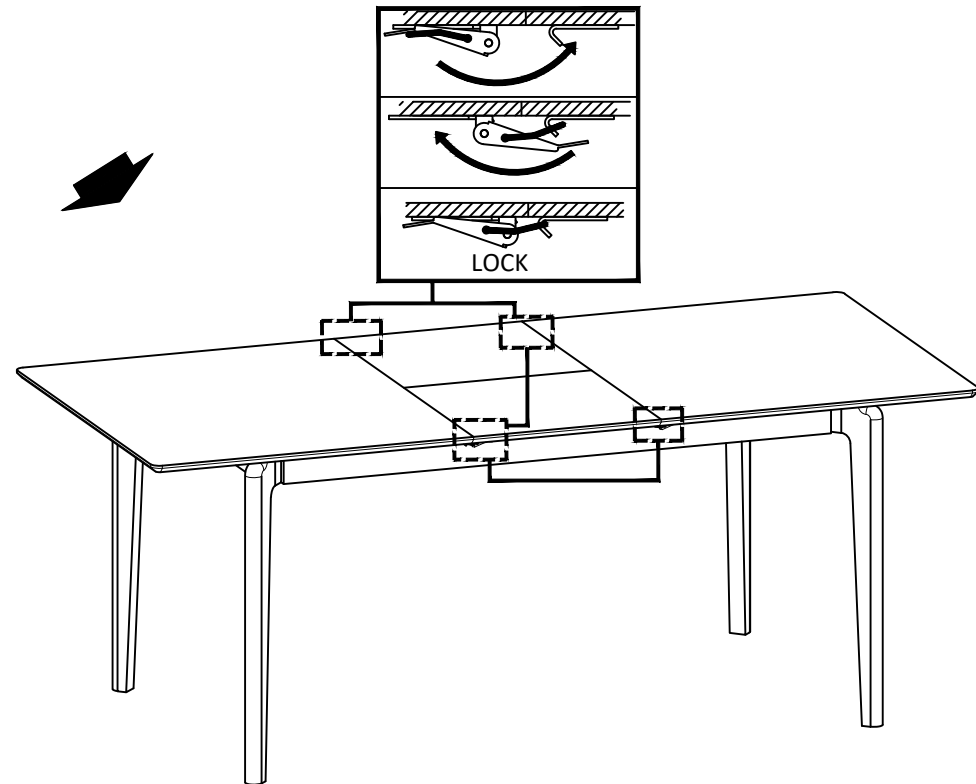
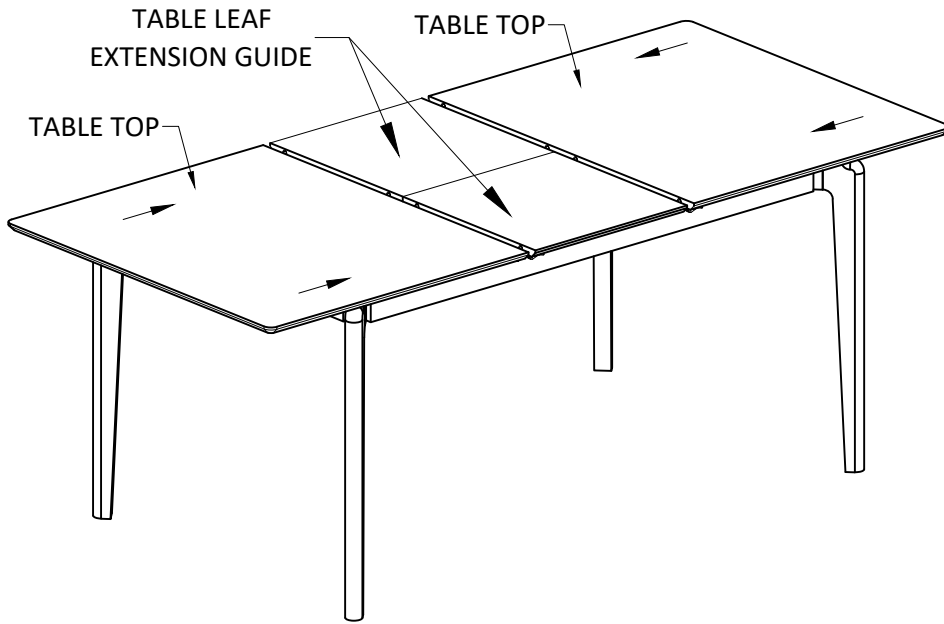
Follow the arrow to rotate the Table Leaf Extension Guide to the Frame(A) as shown.

STEP 6



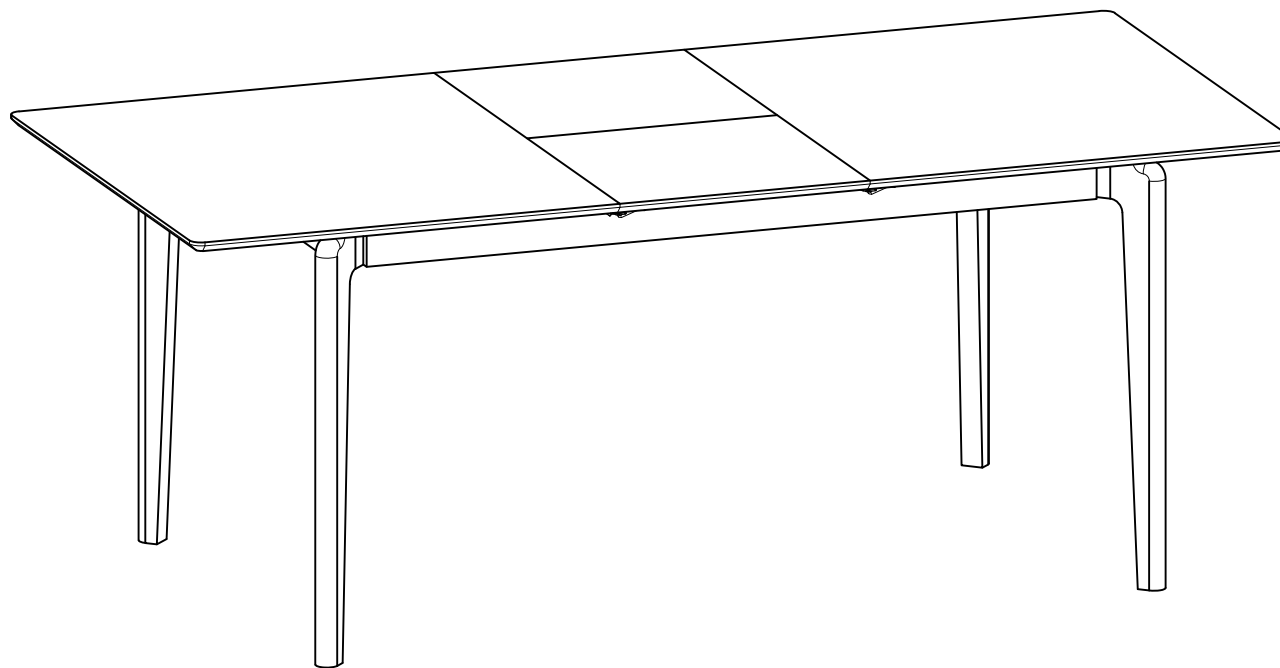
Follow the arrow to open the Table Leaf Extension Guide to the Frame(B) as shown.

STEP 7

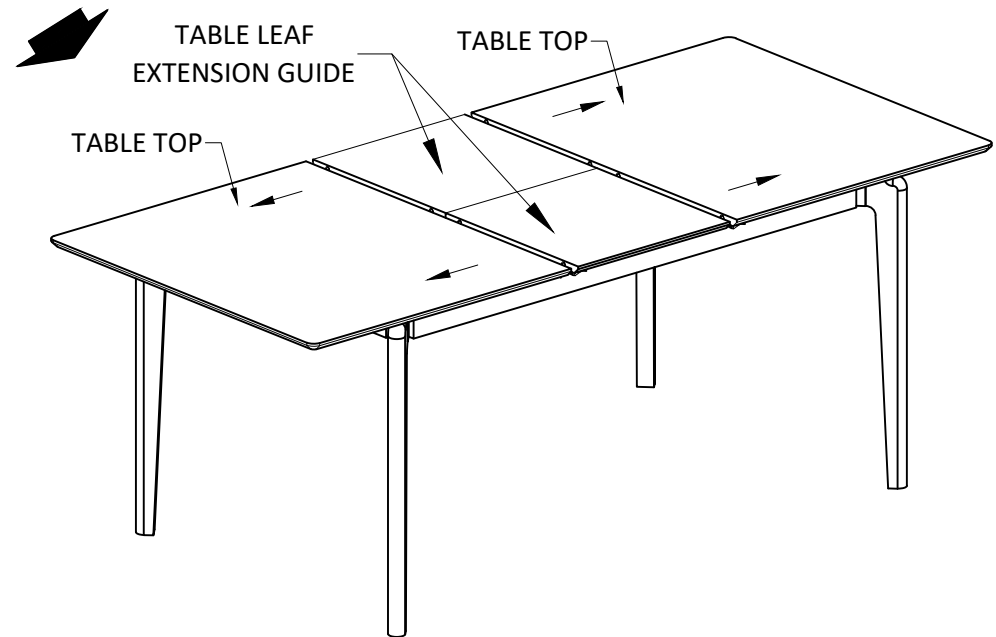
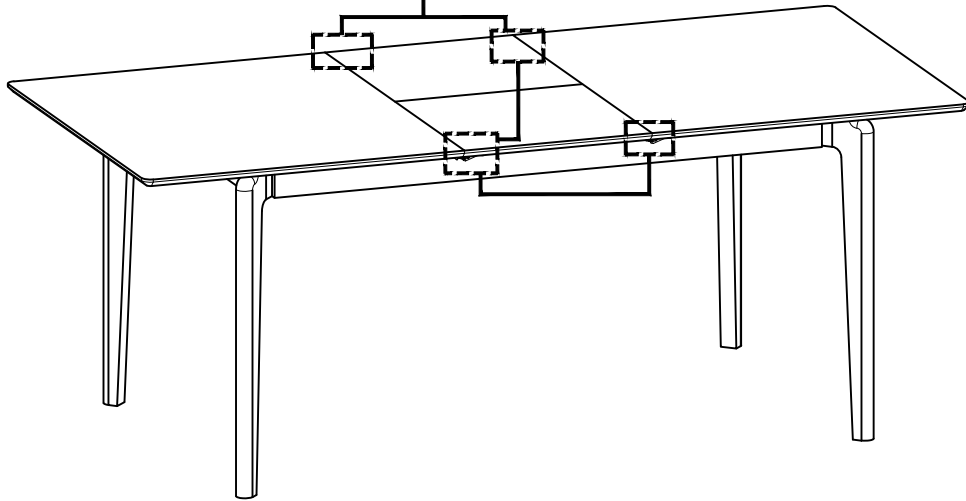
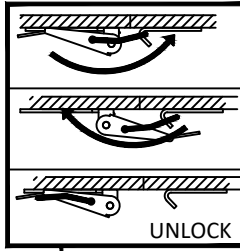


After the Table Leaf Extension Guide to the Frame(B). Then follow the arrow pull in the Table Top to Table Leaf Extension Guideas shown and lock it.

STEP 8



STEP 1



To Retract/ Close
Pull out the Table Top as shown with the arrow before unlock.

STEP 2

TABLE LEAF
EXTENSION GUIDE

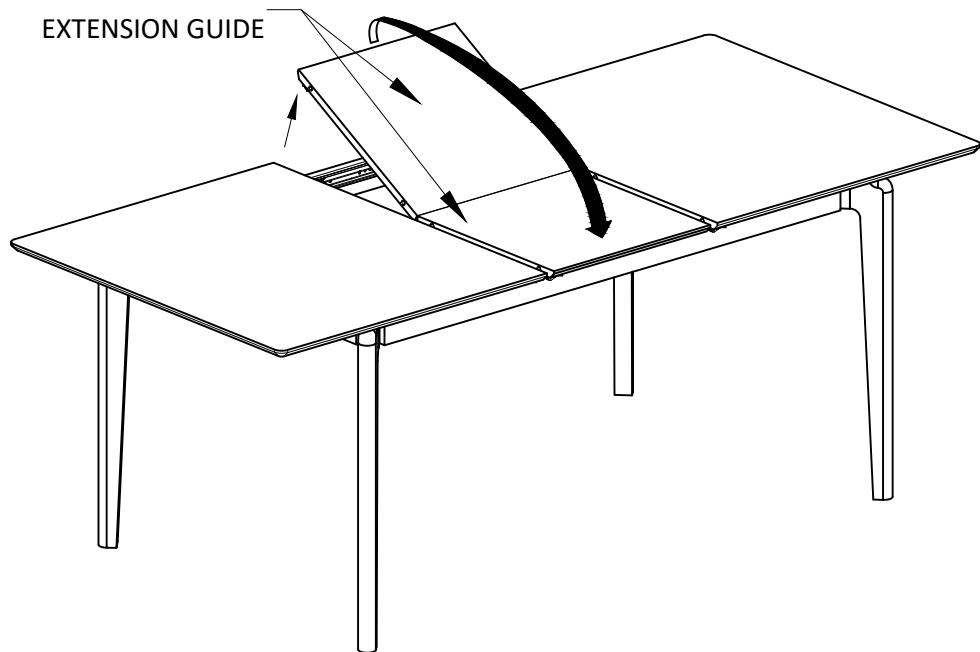
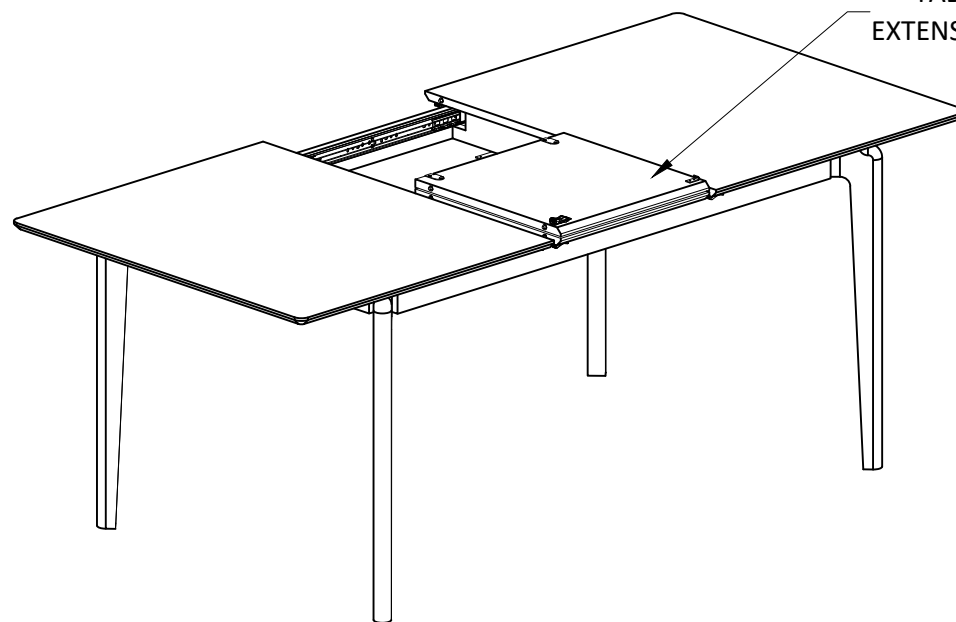


TABLE LEAF
EXTENSION GUIDE



Follow the arrow to fold the Table Leaf Extension Guide together as shown.

STEP 3

TABLE LEAF
EXTENSION GUIDE

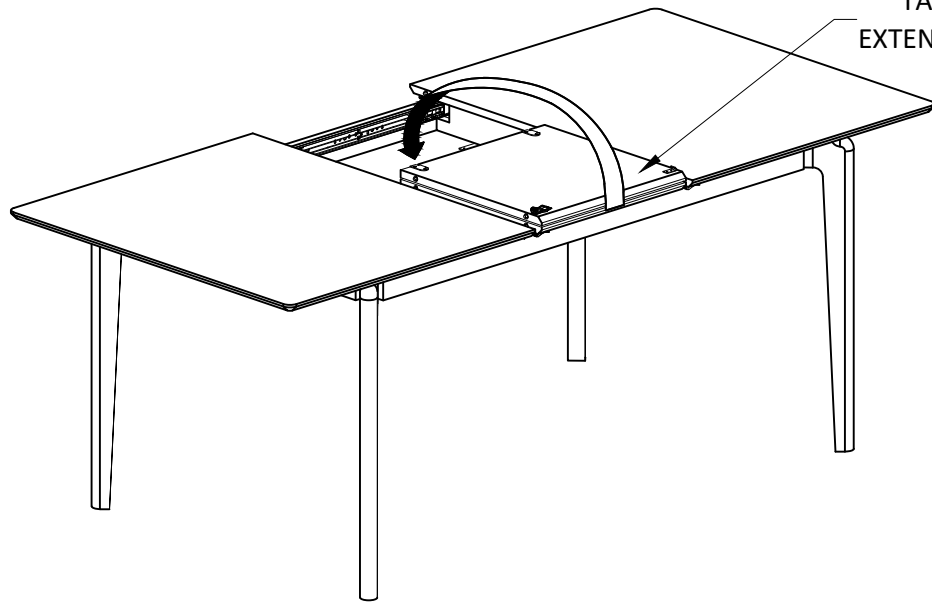
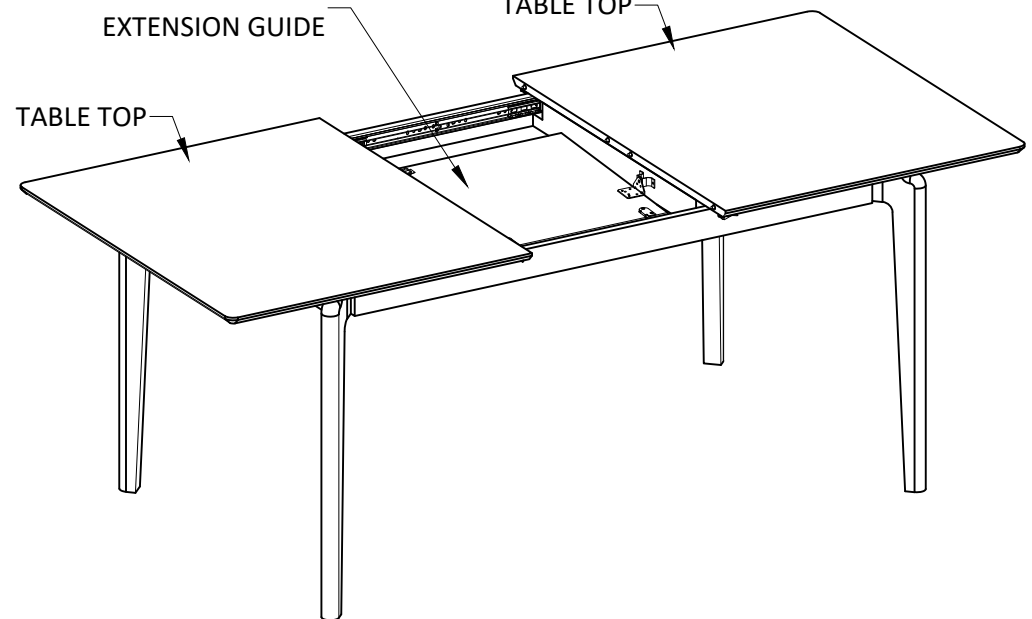


TABLE LEAF
EXTENSION GUIDE

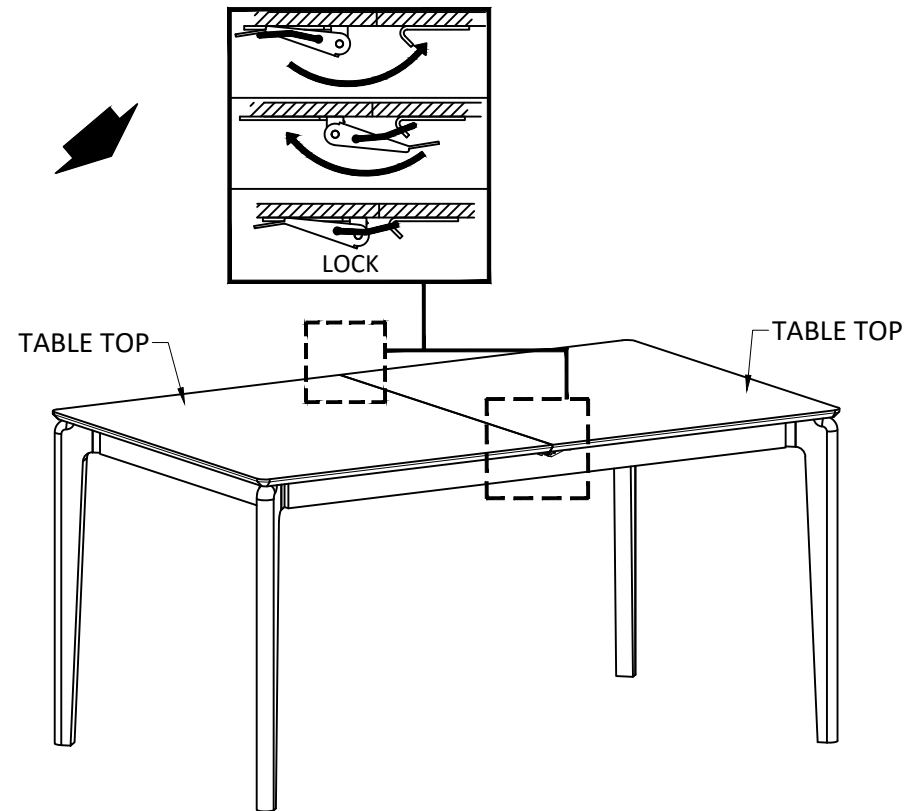
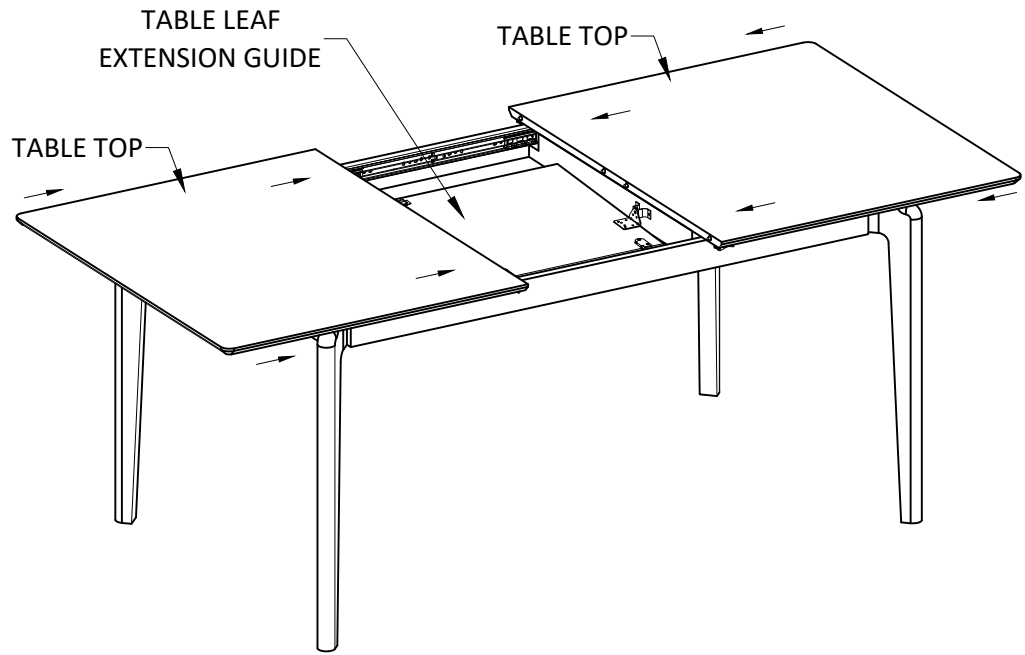
TABLE TOP

TABLE TOP



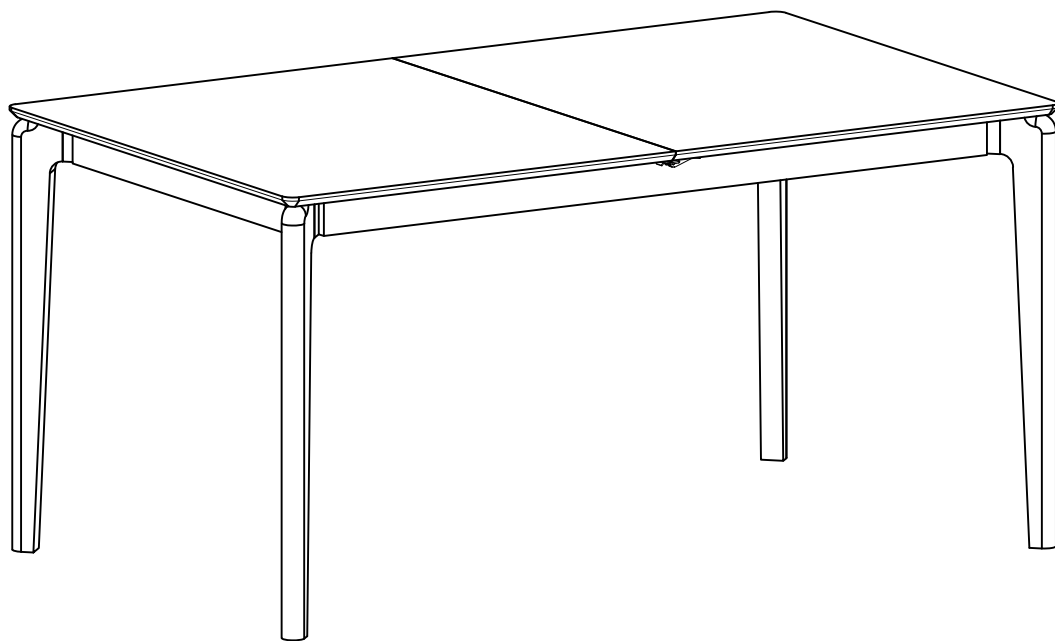
Follow the arrow to rotate the Table Leaf Extension Guide about 180° as shown.

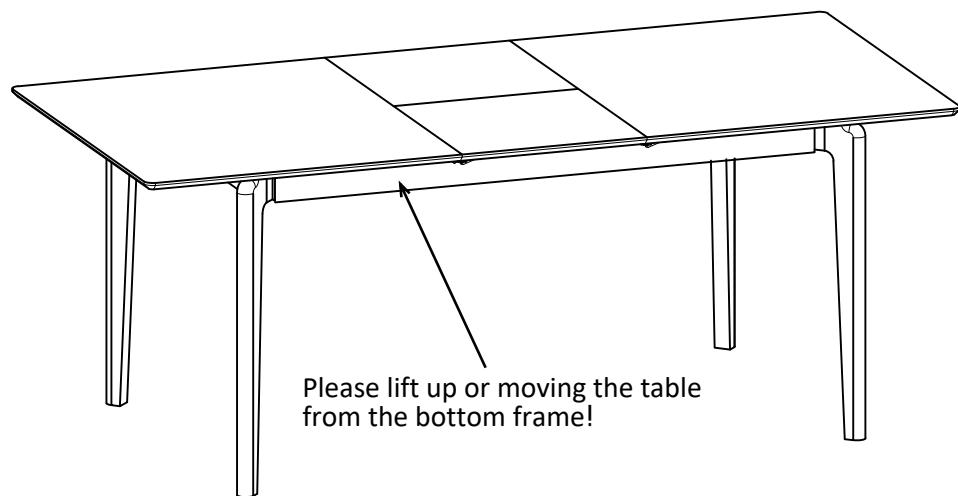
STEP 4



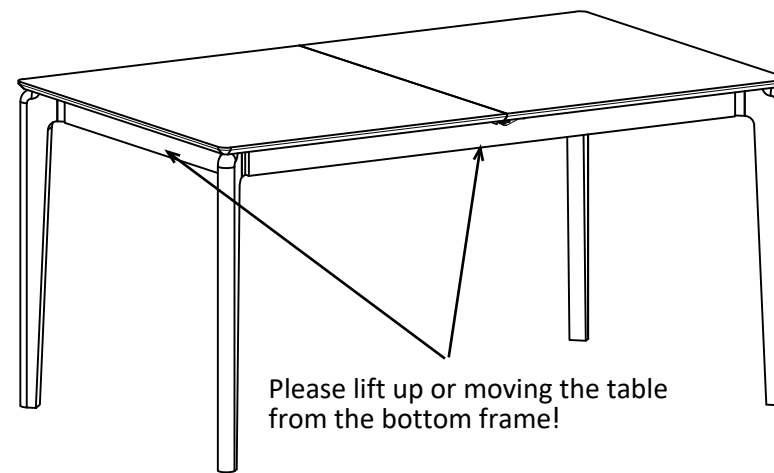
Pull in the Table Top together as shown with the arrow and then lock it.

STEP 5





Please lift up or moving the table
from the bottom frame!



Please lift up or moving the table
from the bottom frame!

WARNING:
When lifting the table, please lift it from the bottom frame;