

## WARNING

- \* Switch off the main electrical supply from the main fuse box / circuit breaker before installation.
- \* Inspect item carefully before attempting to install.
- \* If there is any damages or obvious defects, do not install.
- \* Item may not be returned once it has been installed.

## CARE AND MAINTENANCE

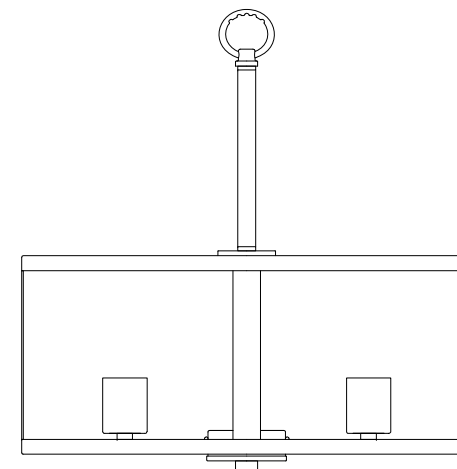
- \* To clean the outside of the fixture, use a dry or slightly dampened clean cloth (use clean water, never a solvent) to wipe the surface of the fixture.
- \* To clean the inside of the fixture, first disconnect power to the fixture by turning off the circuit breaker or by removing the fuse at the fuse box. Next, use a dry or slightly dampened clean cloth (use clean water, never a solvent) to wipe the interior surface of the fixture.
- \* Do not use any cleaners with chemical, solvents or harsh abrasives. Use only a dry soft cloth to dust or wipe carefully.

## NOTICE& IMPORTANT SAFETY INSTRUCTIONS

- \* Please make sure that you have all parts indicated before you begin assembly of this item
- \* This item should be assembled on a soft surface to prevent scratching the finish during assembly
- \* To reduce the risk of fire, electrical shock or injury to persons or property, please follow the guideline below for safe use and installation
- \*The external flexible cable or cord of this luminaire cannot be replaced  
If the cord is damaged, the luminaire shall be destroyed

# Owner Manual

Product Dimensions:16"L X 16"W X 22-94"H



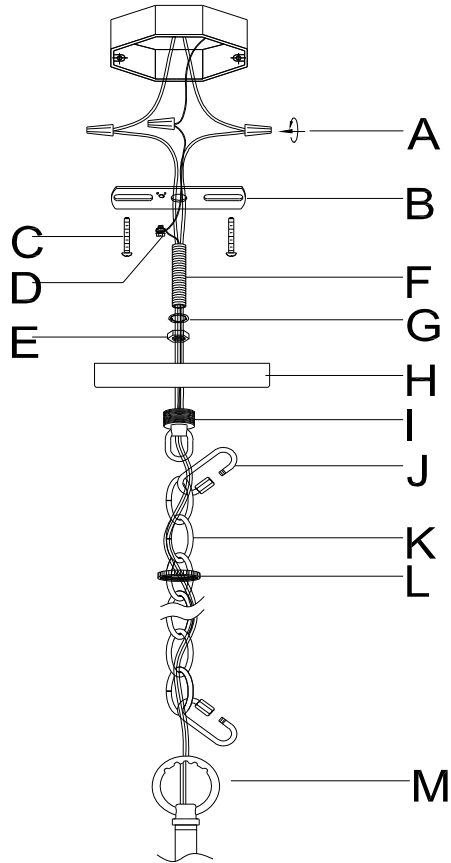
### Part List and Hardware List

PIECE	DESCRIPTION	PICTURE	QUANTITY	PIECE	DESCRIPTION	PICTURE	QUANTITY	PIECE	DESCRIPTION	PICTURE	QUANTITY
A	Wire		x3	G	Knurled Nut		x1	M	Loop		x1
B	Mounting Bar		x1	H	Canopy		x1	N	Fixture Body		x1
C	Mounting Screws		x2	I	Collar loop		x1	O	Clear Glass		x4
D	Ground Screw		x1	J	Quick link		x2	P	Metal Board		x4
E	Nex Nut		x1	K	Chain		x1	Q	Finial		x8
F	Nipple		x1	L	Collar loop ring		x1	R	Phillips Screwdriver		x1
								S	Bulb		x4

## PREPARATION

- \* Before beginning assembly of product, make sure all parts are present. Compare parts with package contents list and hardware contents list.
- \* If any part is missing or damaged, do not attempt to assemble the product.
- \* Estimated Assembly Time: 20 minutes.
- \* Tools Required for Assembly (not included): Screwdriver, Junction box
- \* If you are having difficulty, our friendly Customer Care team is always here to help.

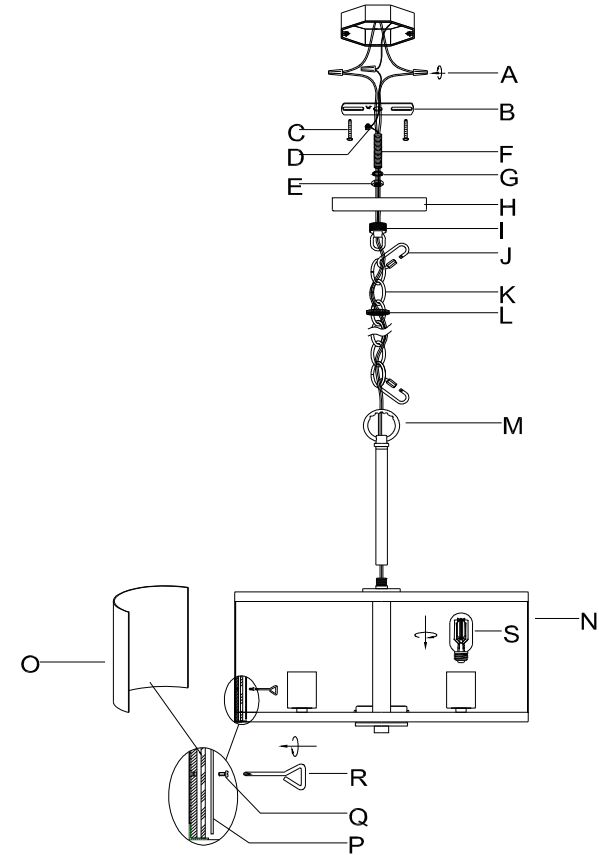
**NOTE: PLEASE USE TYPE "A" BULB MAX 40-WATT OR LED BULB MAX 9-WATT, THERE ARE 4PCS LED 4-WATT BULB IN THE BOX**



### Step 1:

Place the Canopy (H) onto the Hanging Loop (I) Screw the Nipple (F) into the threaded portion of the Hanging Loop (I) and fix it by turning the Canopy Nut (F) clockwise till tight.

Attach the Closable Link (J) onto the Hanging Loop (I).



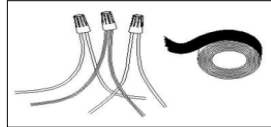
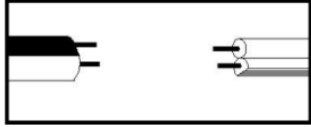
### Step 2:

Thread the Loop (M) to top of Frame (N). Attach the Quick link (J) onto the Loop (M).

Place the Clear Glass (O) on the Frame (N), secure with Metal Board (P) and tighten the Finial (Q) with Phillips Screwdriver (R).

## PREPARATION

- \* Before beginning assembly of product, make sure all parts are present. Compare parts with package contents list and hardware contents list.
- \* If any part is missing or damaged, do not attempt to assemble the product.
- \* Estimated Assembly Time: 20 minutes.
- \* Tools Required for Assembly (not included): Screwdriver, Junction box
- \* If you are having difficulty, our friendly Customer Care team is always here to help.



### Step 3

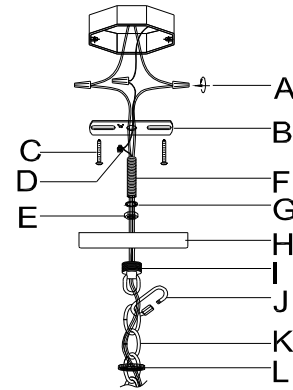
Make wire connections, with wire nut(C)

Connect fixture neutral wire (ribbed) to the outlet box neutral wire (usually white) using a wire nut. Connect fixture hot wire (smooth with markings) to the outlet box hot wire (usually black) using a wire nut.

**CAUTION:** Do not reverse the hot and neutral connections

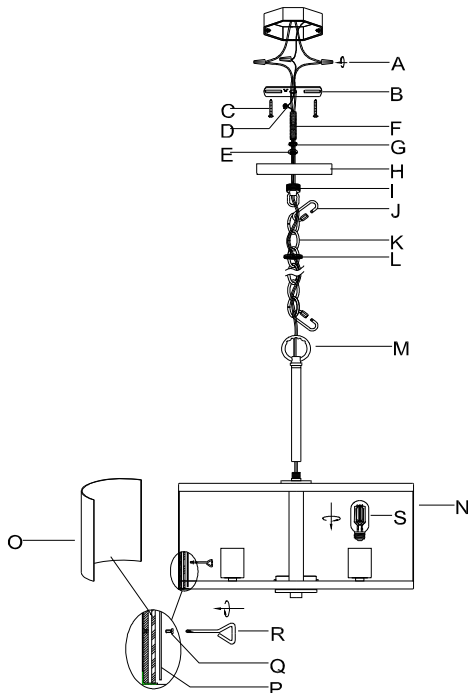
Grounding Instructions:

Wrap ground wire from outlet box around green ground screw(Q) on mounting bracket, no less than 2" from wire end. Tighten ground screw. If fixture is supplied with a ground wire, connect to outlet ground wire with a wire nut.



### Step 4

Separate the Mounting Bar(B) from the Canopy (H) by unscrewing the Collar loop ring(L). Install the Mounting Bar (B) to the junction box with Mounting Screws (C).



### Step 5:

Install the Mounting Bar (B) to the junction box with Mounting Screws (C). Attach the Canopy (H) to the junction box and fix it by turning the Collar loop ring (L) clockwise.