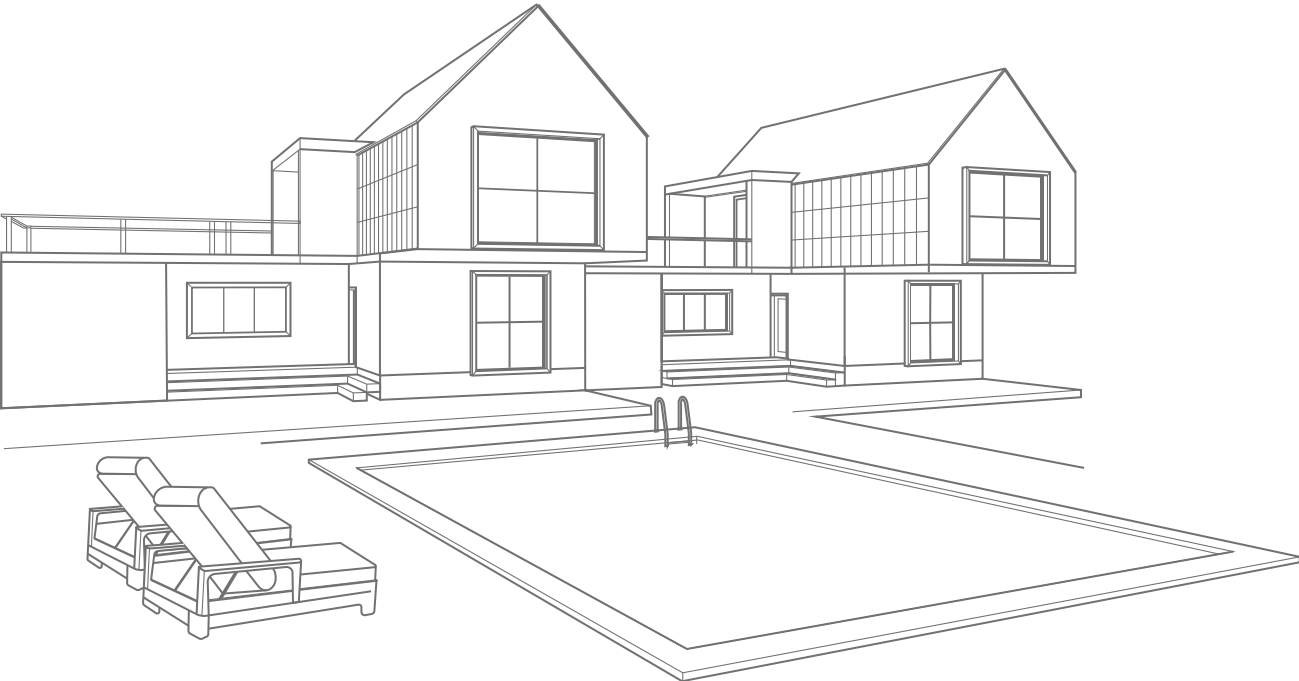
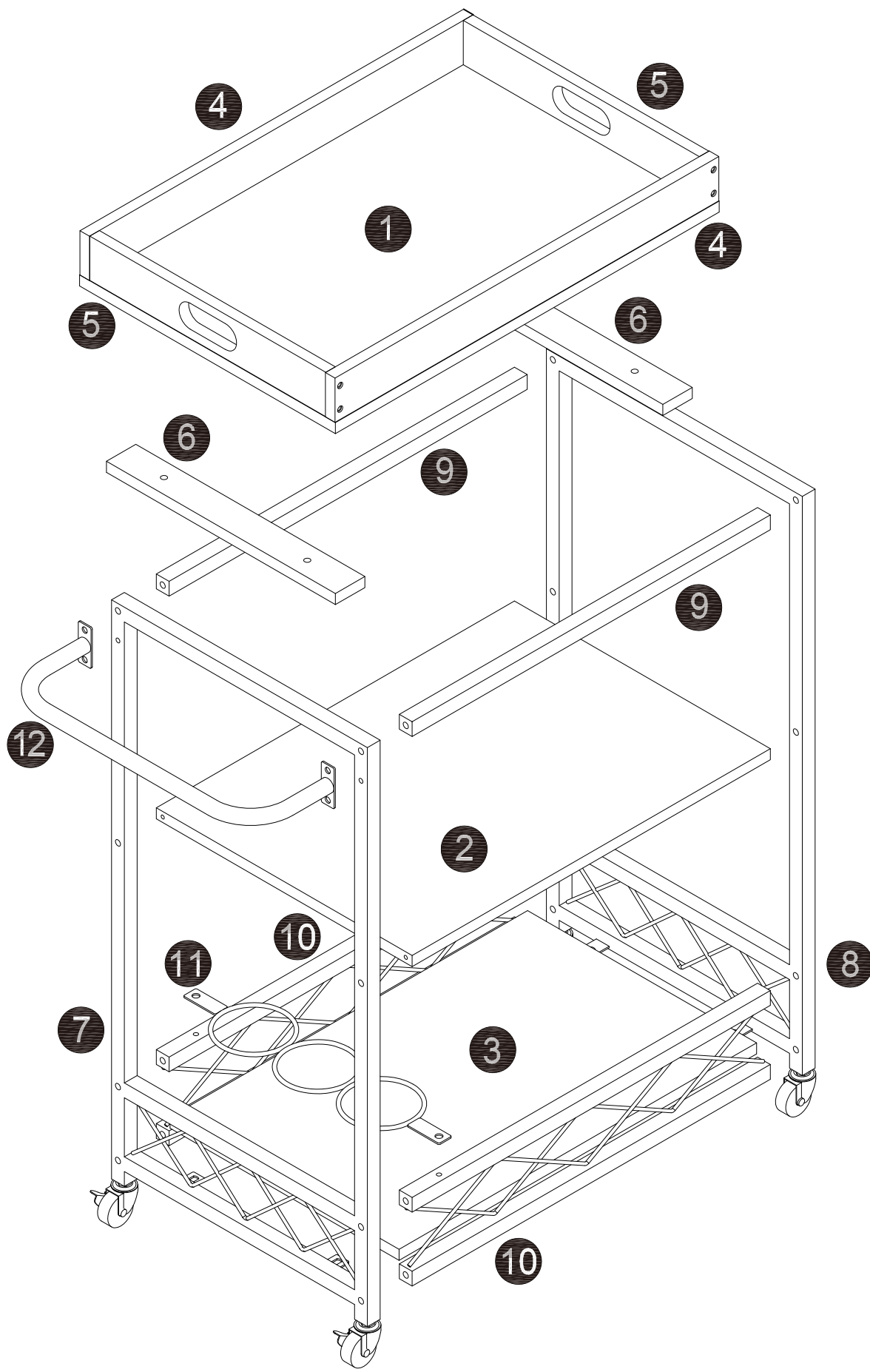
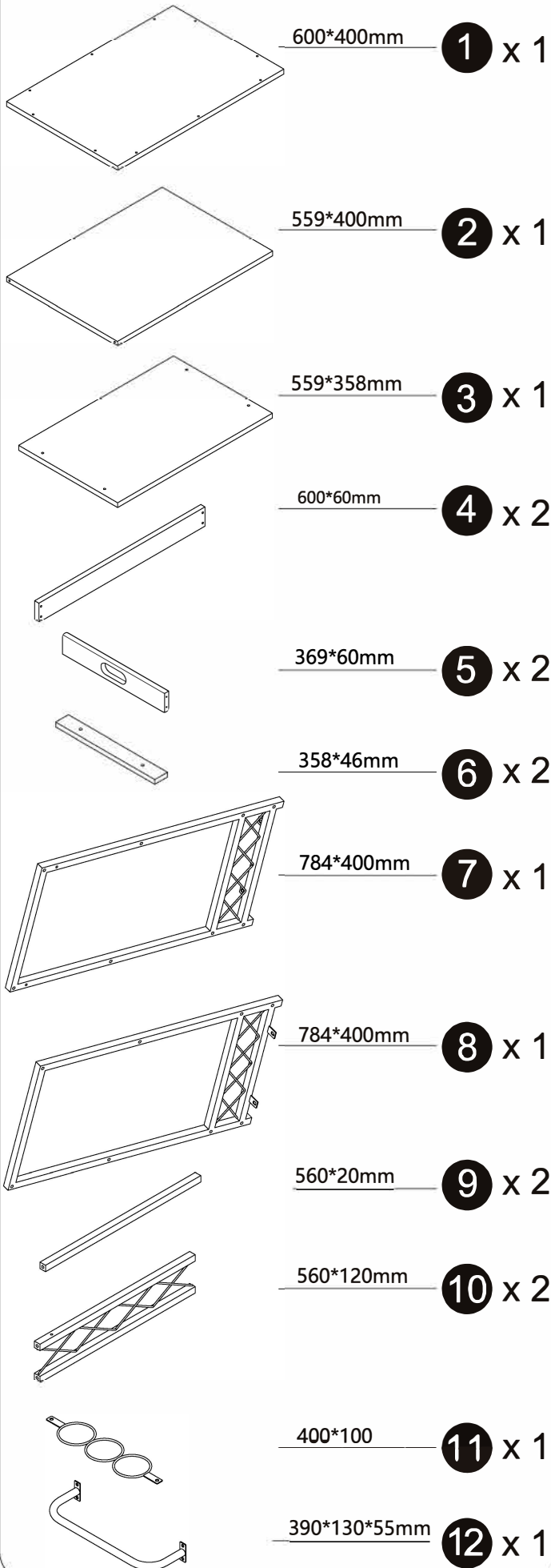


Bar Carts



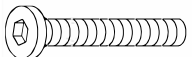

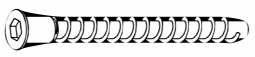


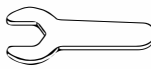
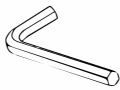




Components ▶

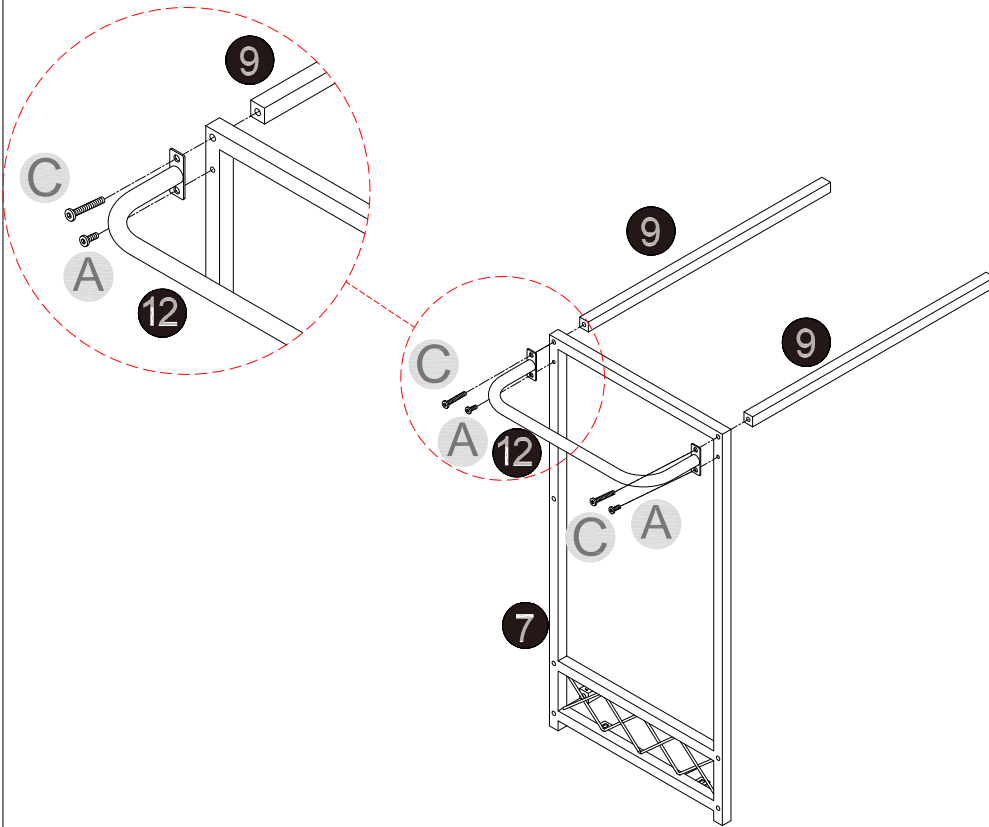


Screws & Tools ▶

A		M6*12mm	x 8
B		M6*25mm	x 4
C		M6*40mm	x 12
D		φ4*40mm	x 18
E		φ7*50mm	x 4
F			x 2
G			x 2
H			x 1
I		4mm	x 1

Check all the components & screws before assembly.
Do not install in case part is missing, contact us to get.

Step 1:

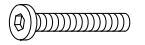


A M6*12mm



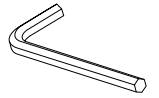
2pcs

C M6*40mm

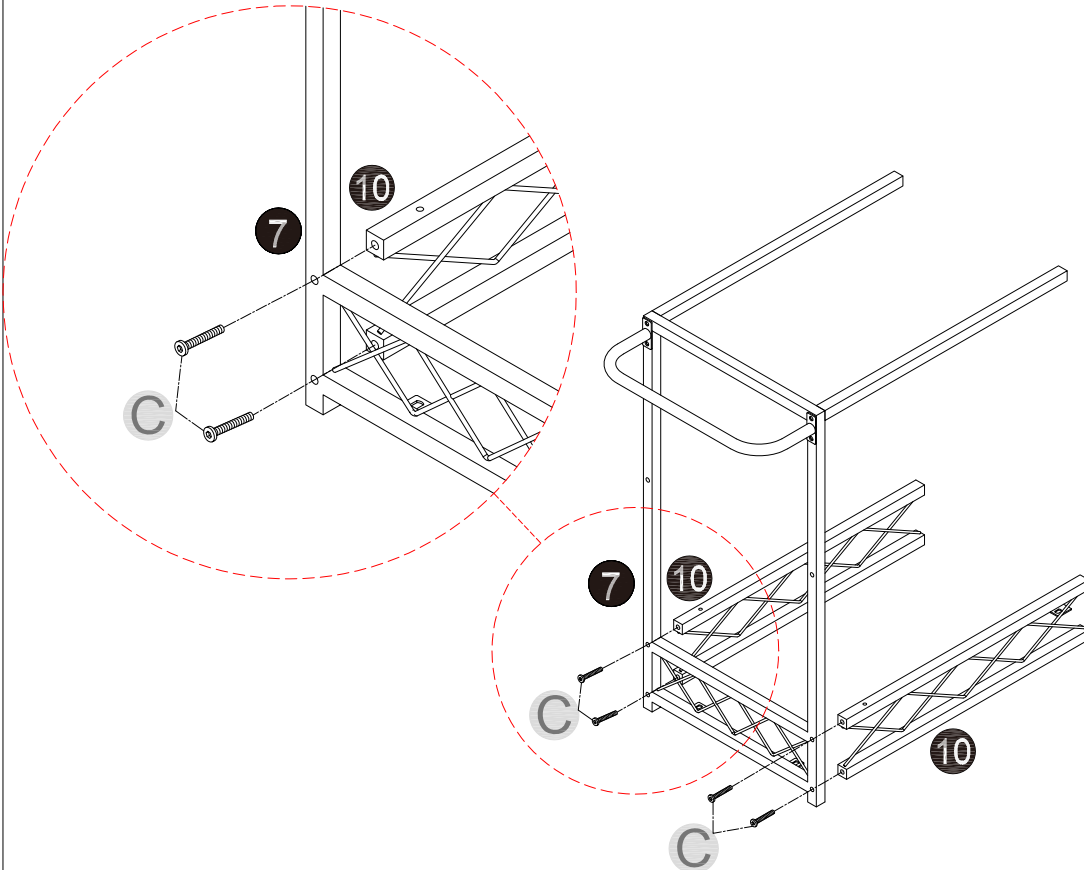


2pcs

I 4mm



Step 2:

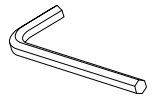


C M6*40mm



4pcs

I 4mm



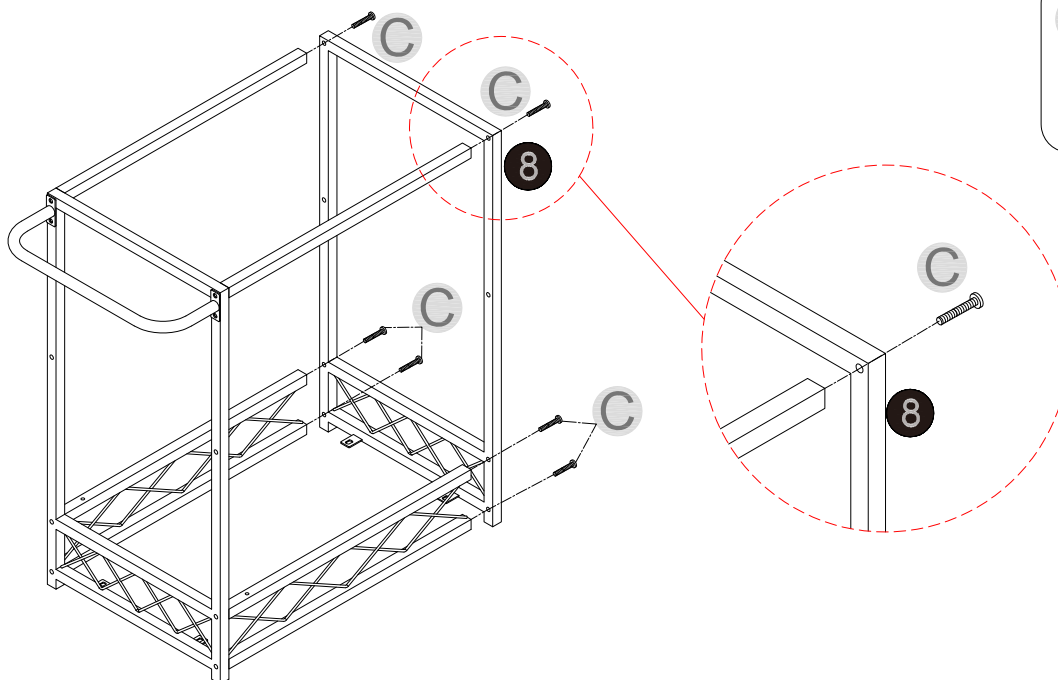
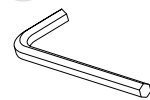
Step3:

C M6*40mm



6pcs

I 4mm



Step4:

F



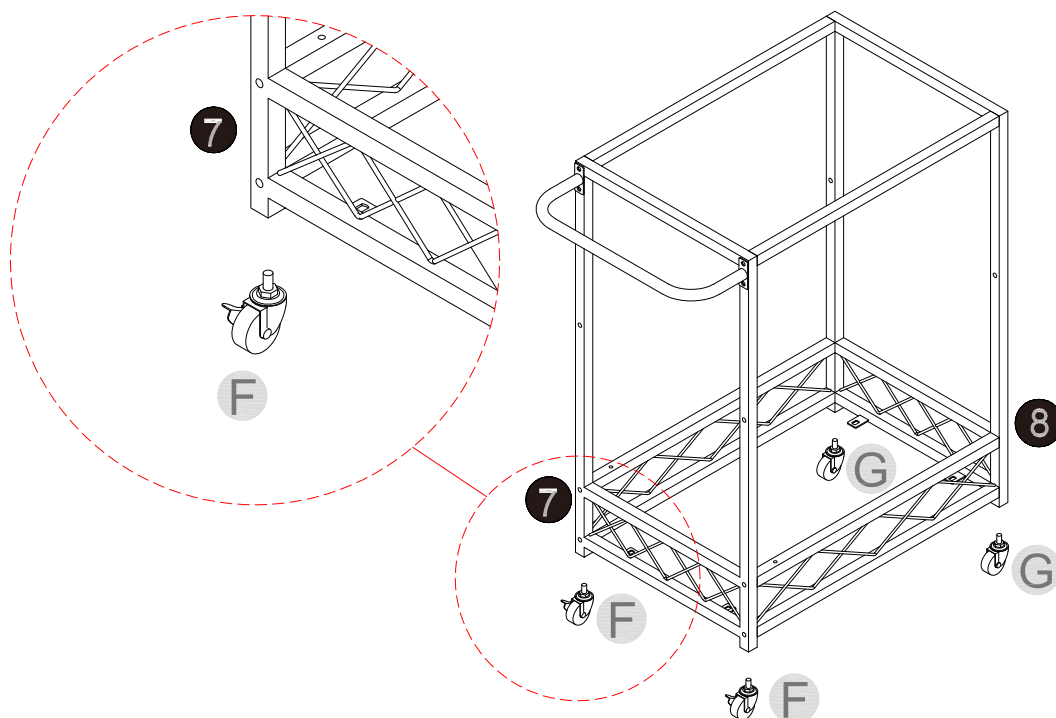
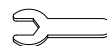
2pcs

G



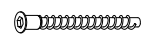
2pcs

H



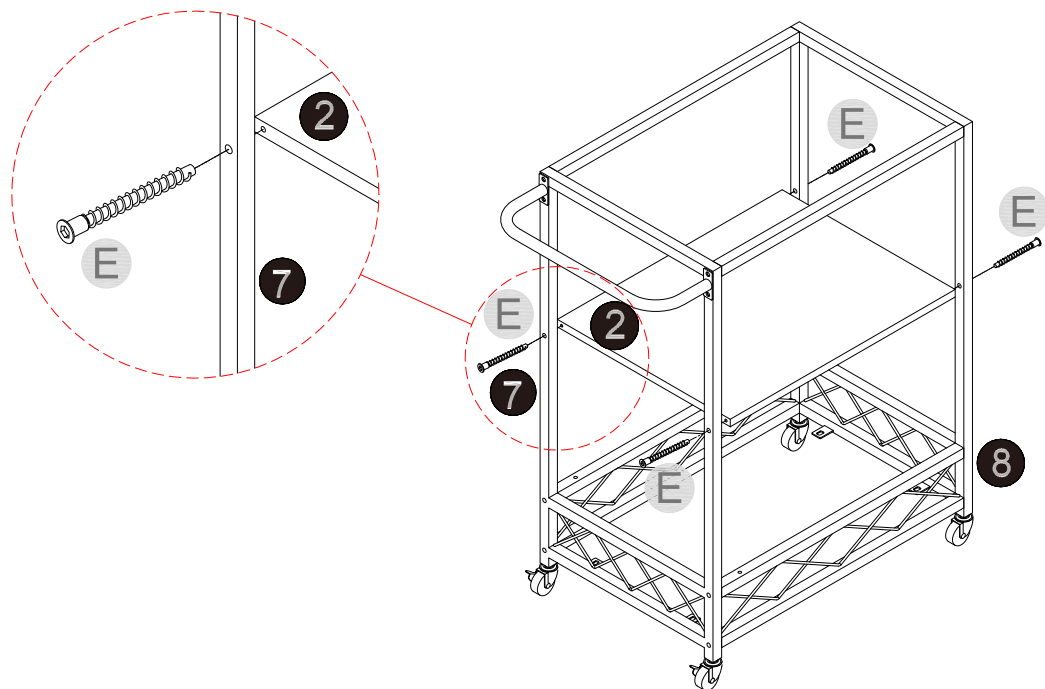
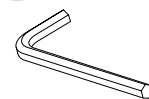
Step5:

E $\phi 7*50\text{mm}$



4pcs

I 4mm



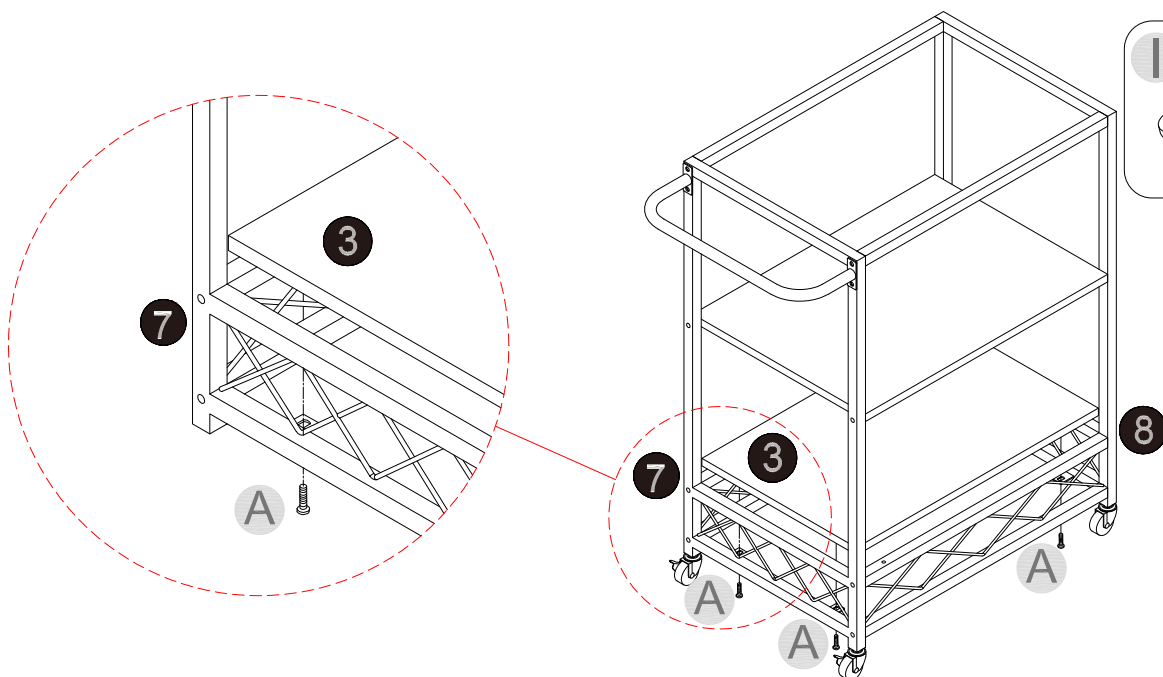
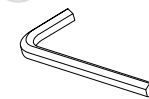
Step6:

A M6*12mm

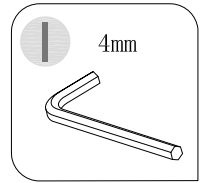
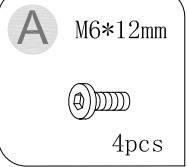
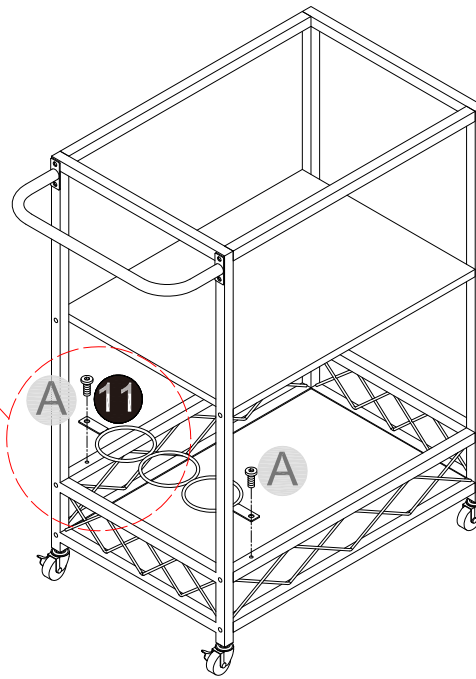
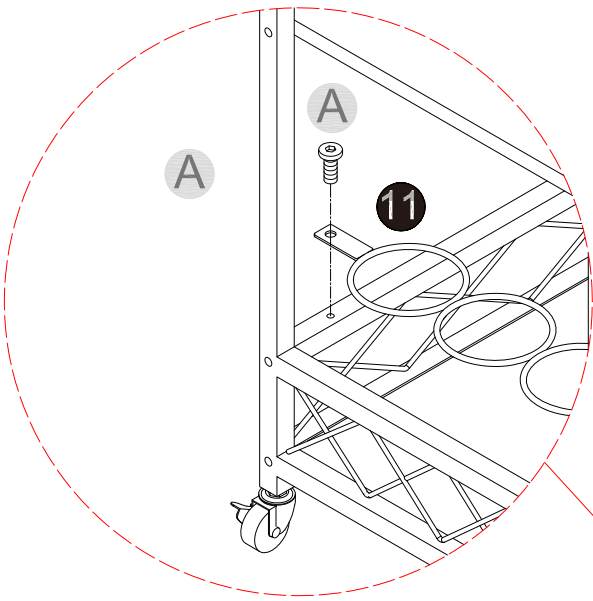


4pcs

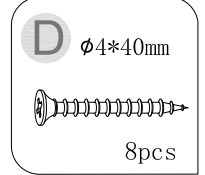
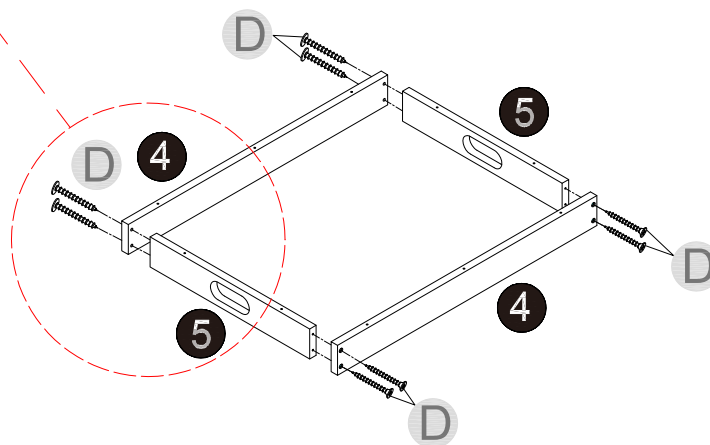
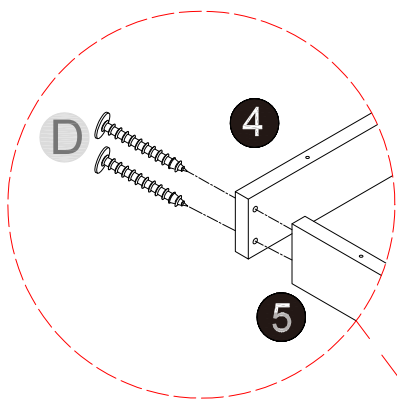
I 4mm



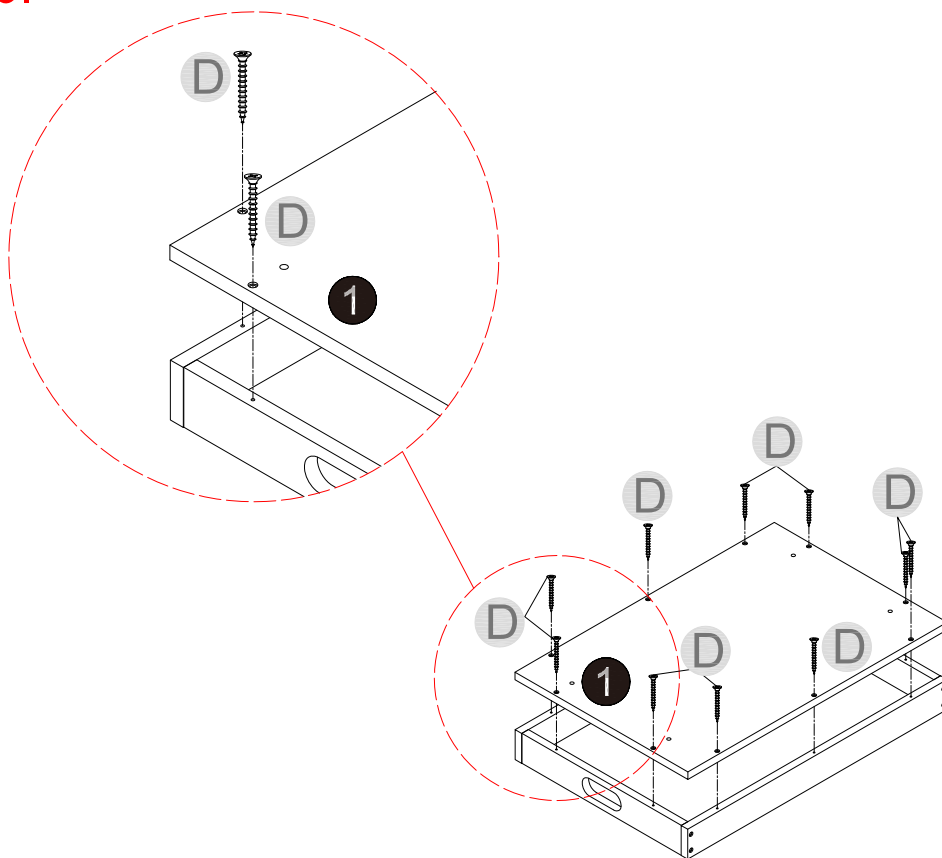
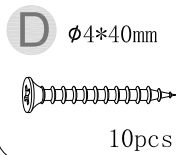
Step7:



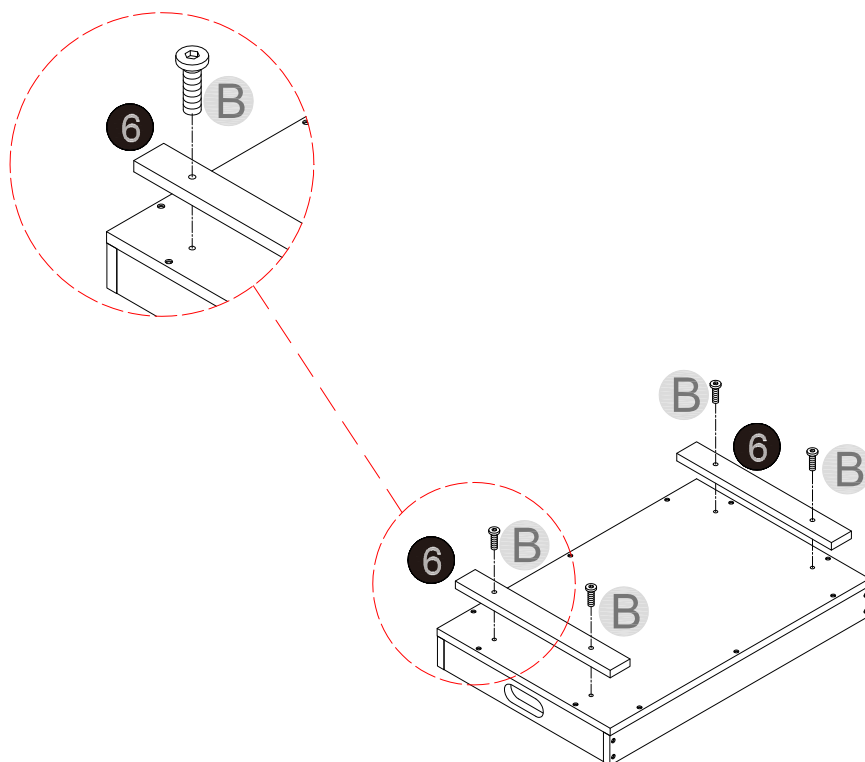
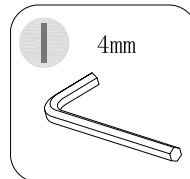
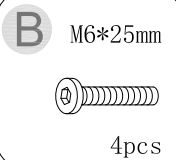
Step8:



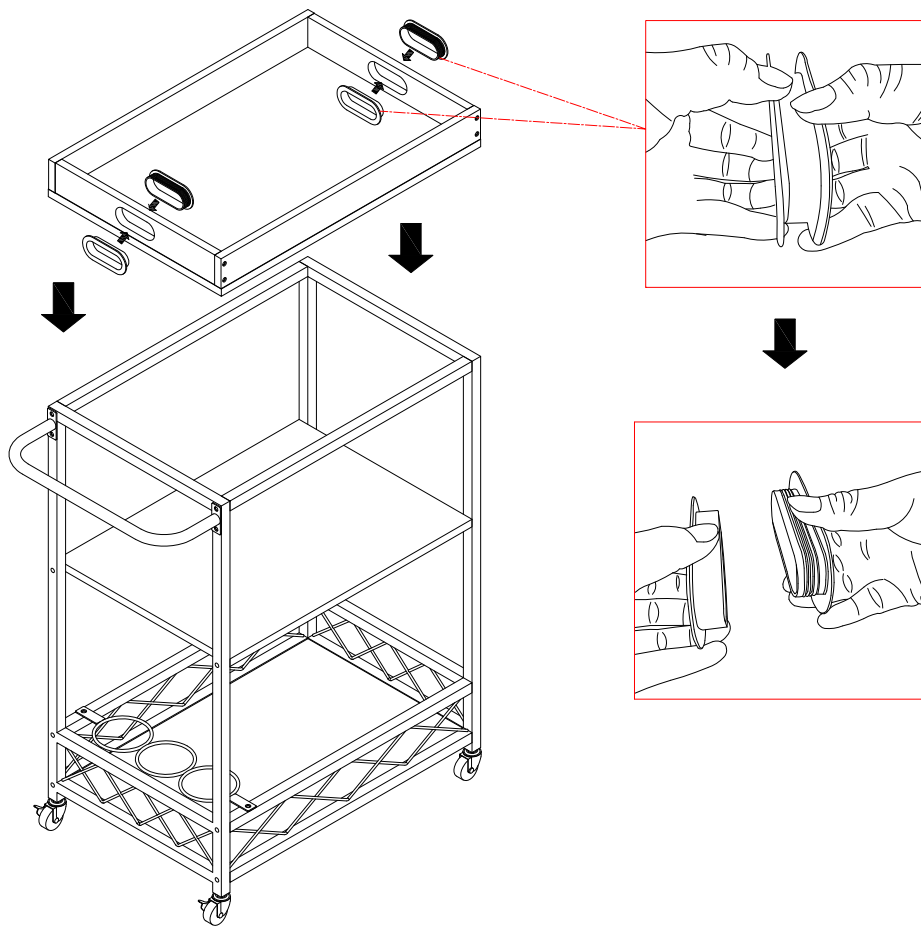
Step9:



Step10:



Step11:



Step12:

