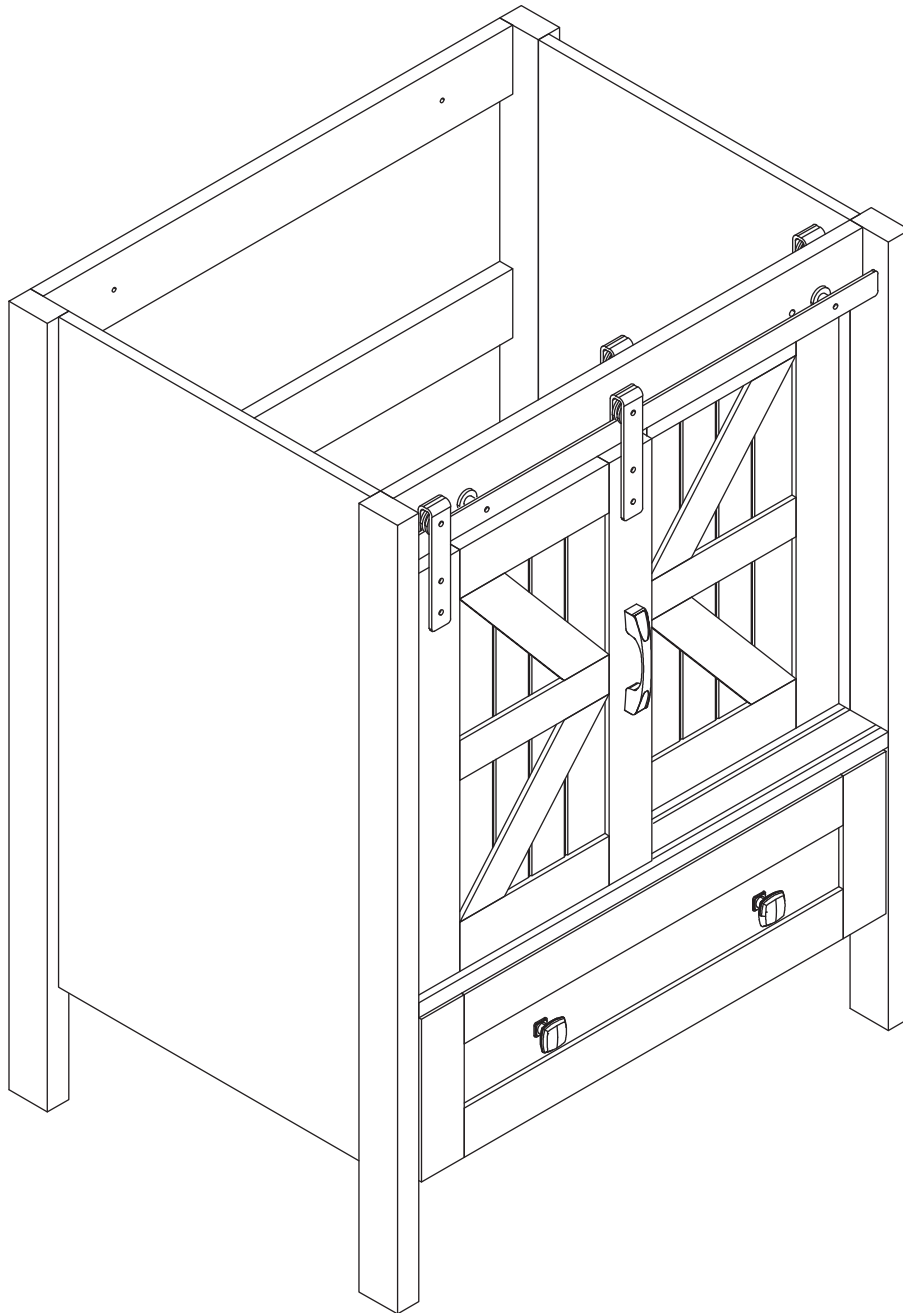


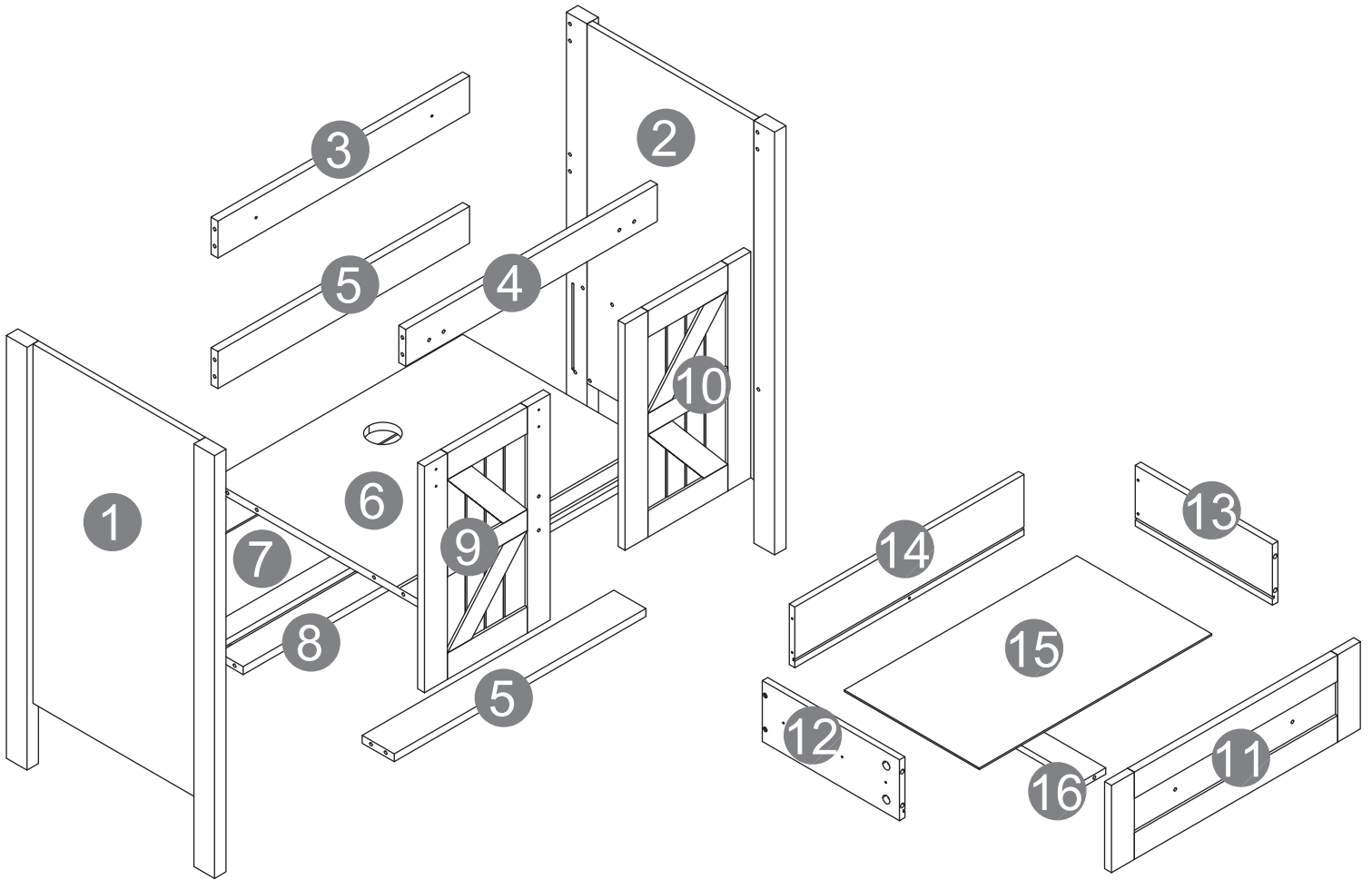
Assembly Instructions

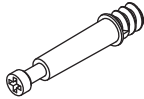

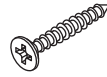
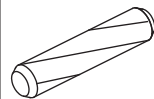




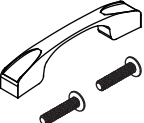

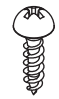

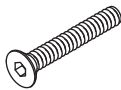

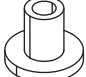
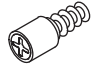
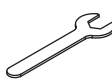
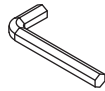
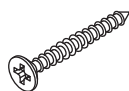
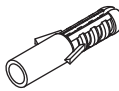
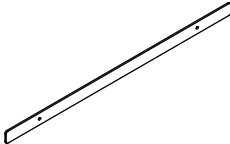


If there is any problem with the item, please call us for more service instead of returning the item directly.

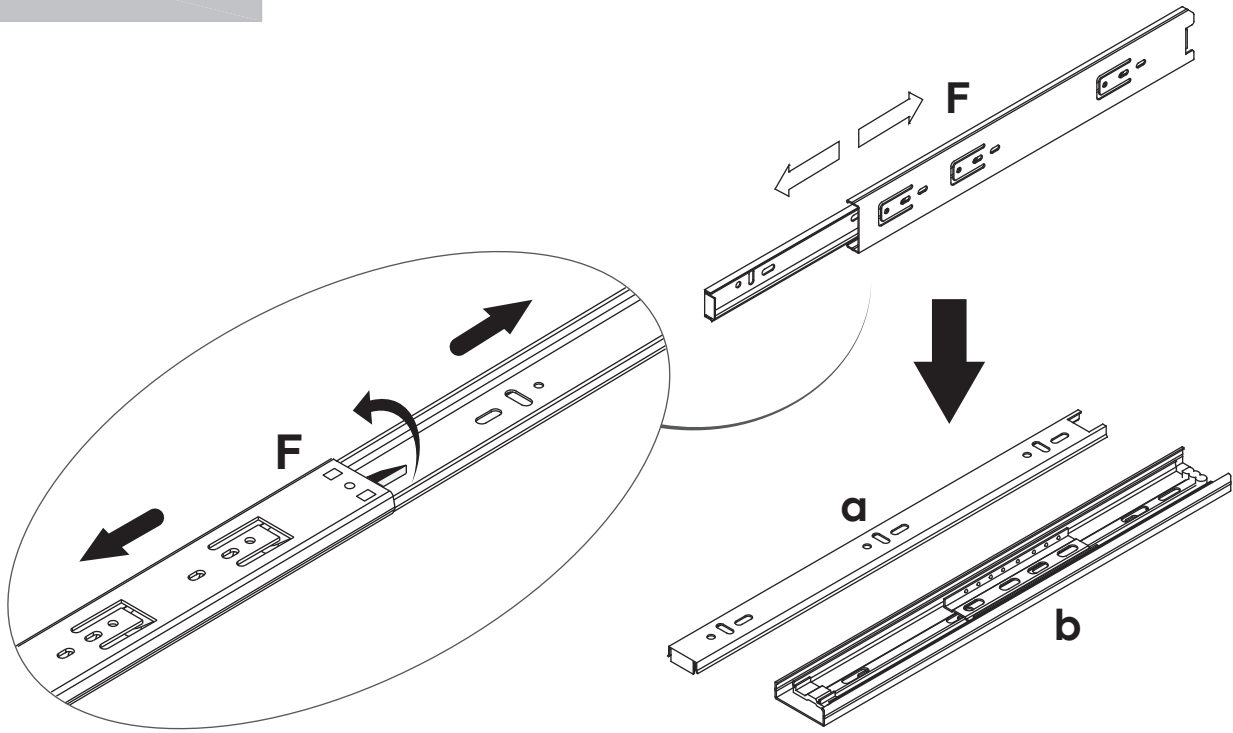
HARDWARE LIST

- ① x1 ② x1 ③ x1 ④ x1 ⑤ x2 ⑥ x1 ⑦ x1 ⑧ x1 ⑨ x1
 ⑩ x1 ⑪ x1 ⑫ x1 ⑬ x1 ⑭ x1 ⑮ x1 ⑯ x1

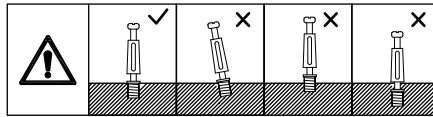


| | | | | | | | |
|---|---|---|---|--|---|---|---|
|  |  |  |  |  |  |  |  |
| A = 29 | B = 29 | C = 5 | D = 4 | E = 12 | F = 2 | G = 6 | H = 2 |
|  |  |  |  |  |  |  |  |
| I = 1 | J = 1 | K = 8 | L = 4 | M = 4 | N = 4 | O = 4 | P = 4 |
|  |  |  |  |  | | | |
| Q = 1 | R = 1 | S = 2 | T = 2 | U = 2 | | | |

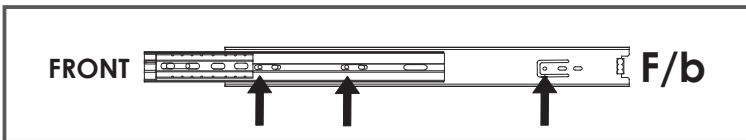
STEP 1



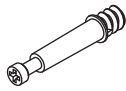
STEP 2



Note: Please make sure the screws are not too loose or too tight, or skewed.



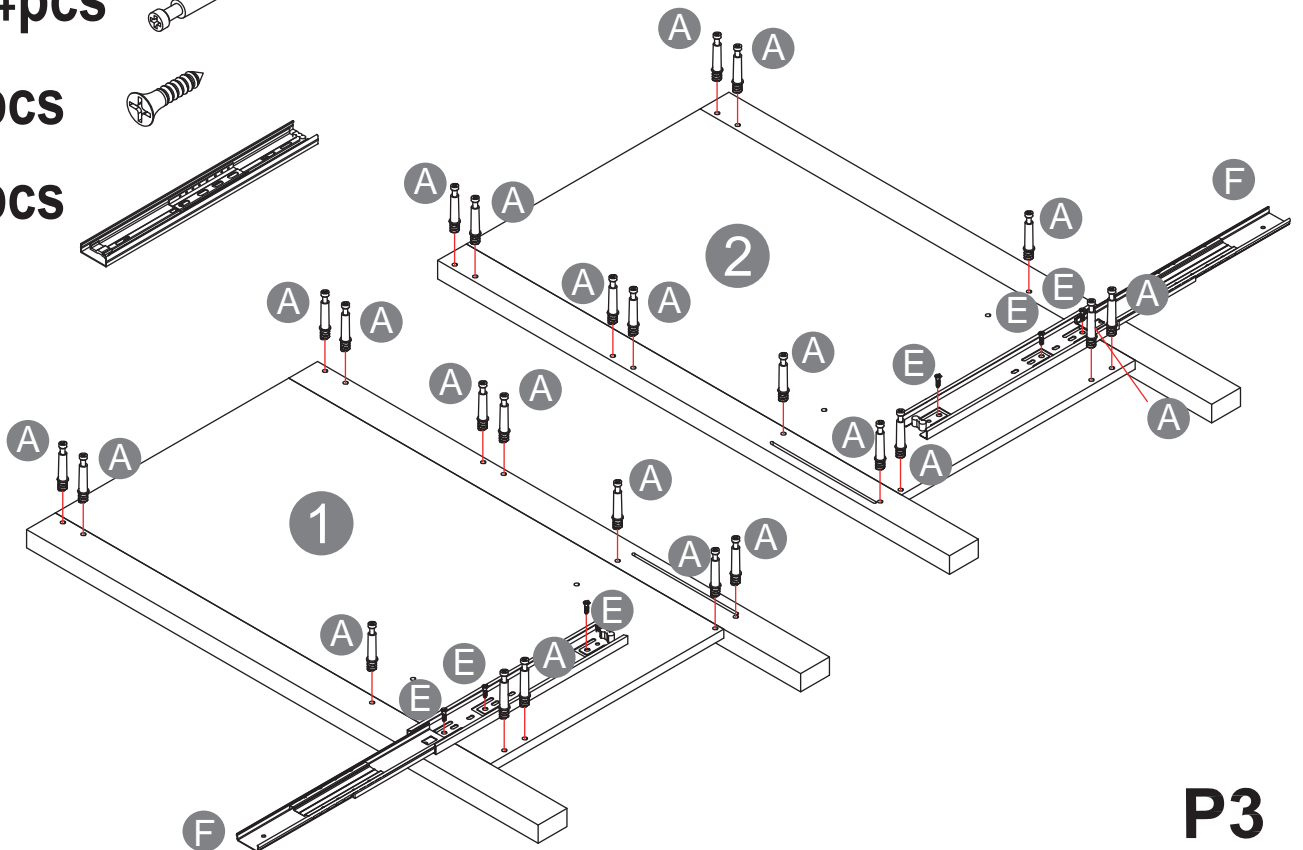
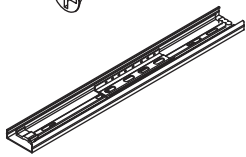
A x24pcs



E x6pcs



F/b x2pcs

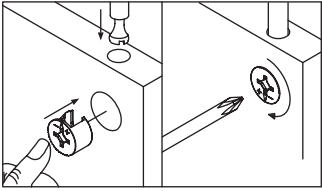
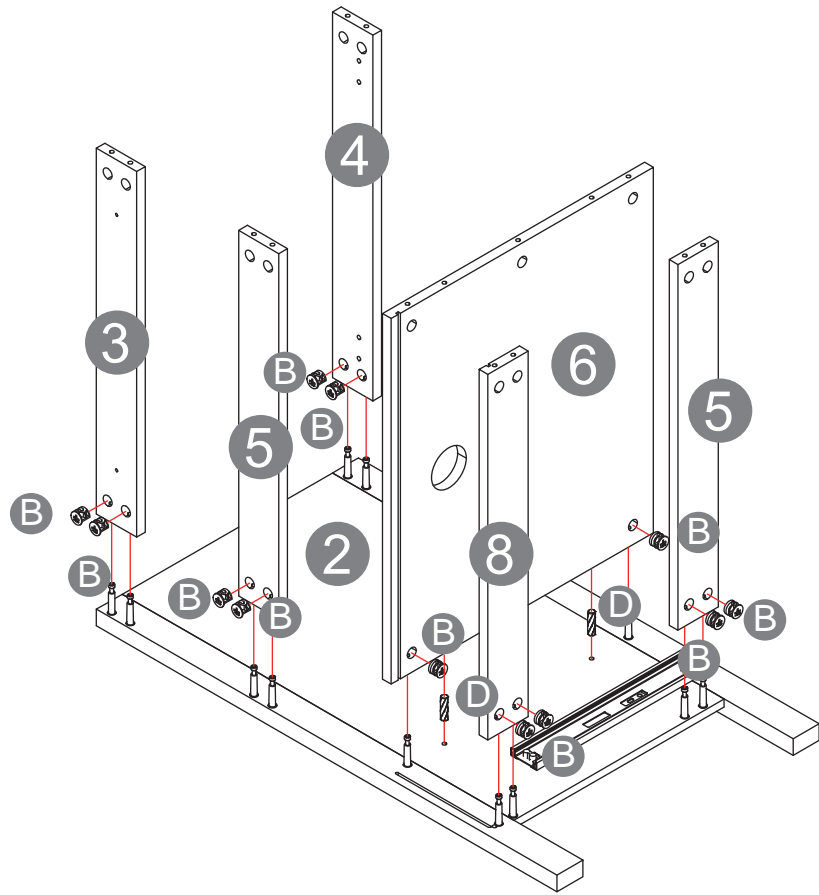
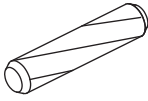


STEP 3

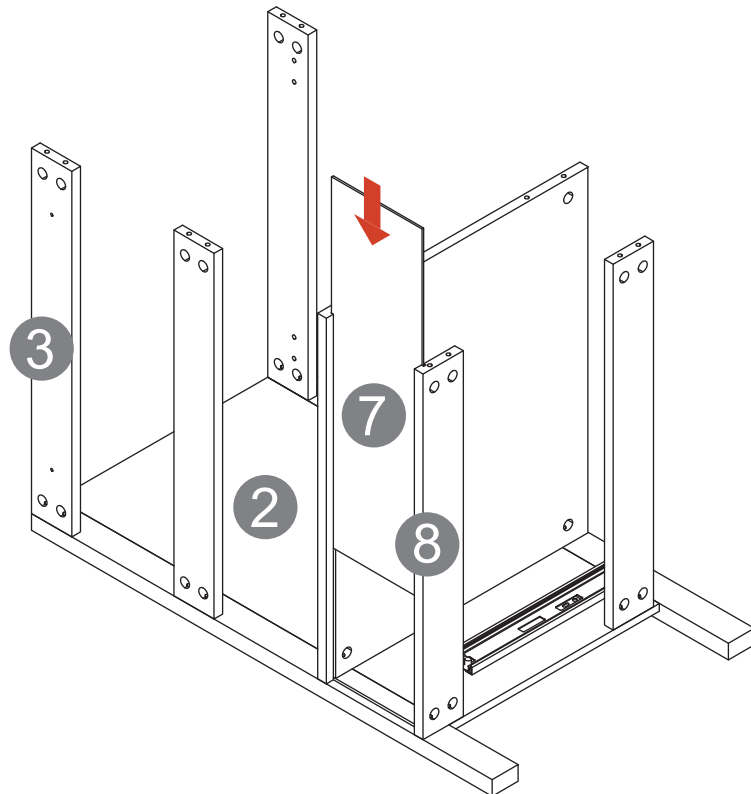
B x12pcs



D x2pcs



STEP 4

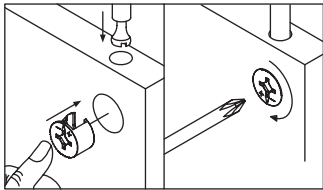
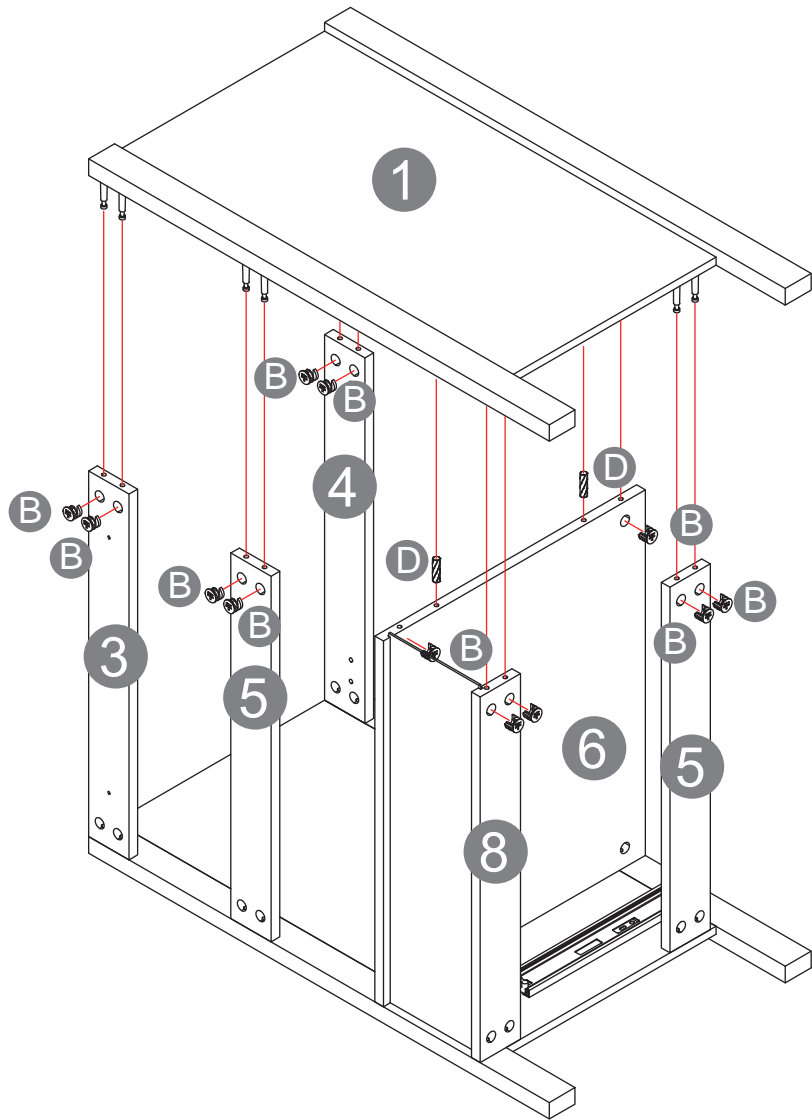
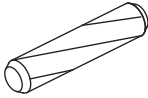


STEP 5

B x12pcs

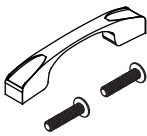


D x2pcs



STEP 6

I x1pc



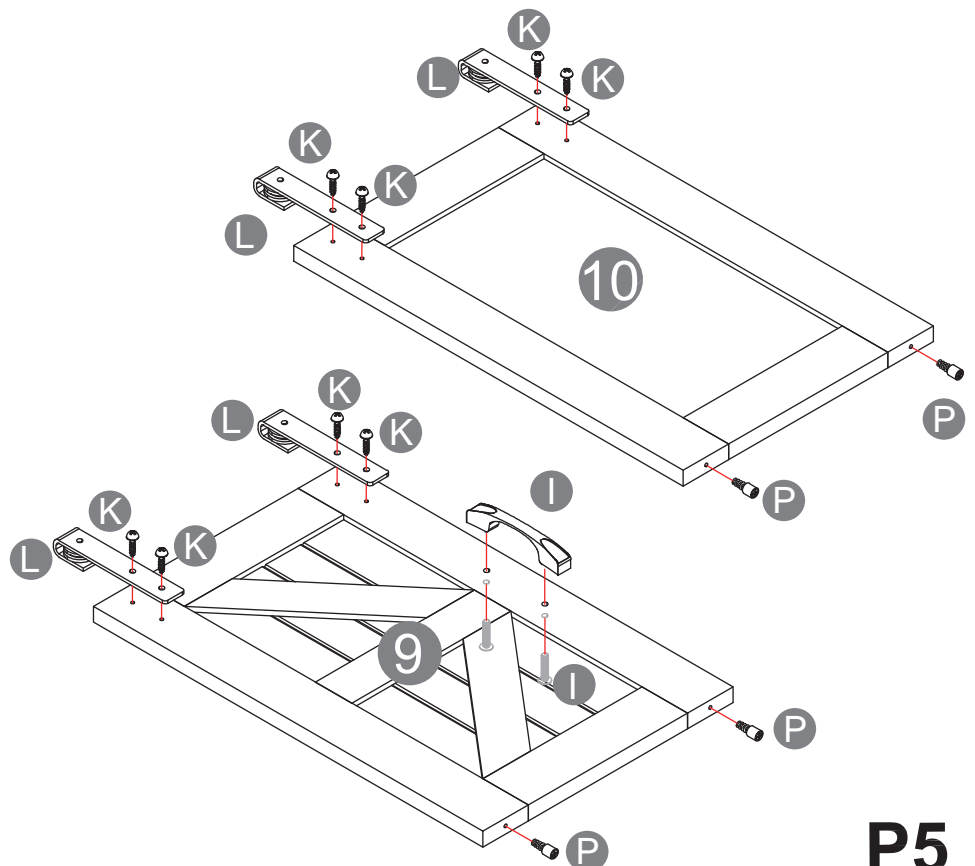
K x8pcs



L x4pcs



P x4pcs

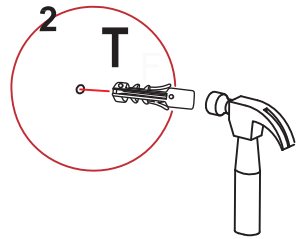
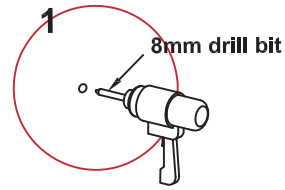
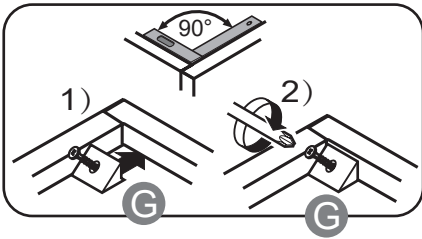
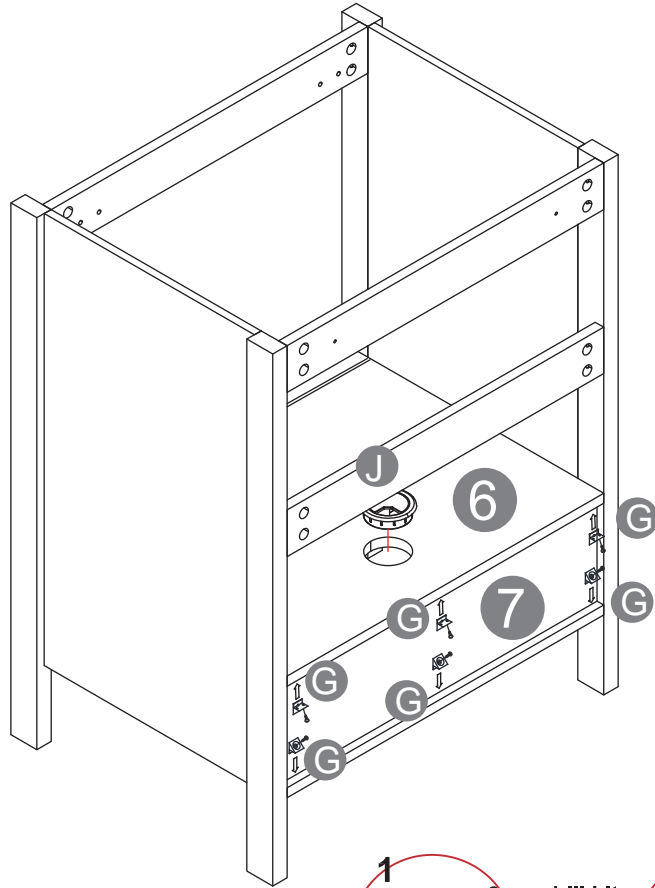


STEP 7

J x1pc

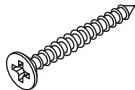


G x6pcs

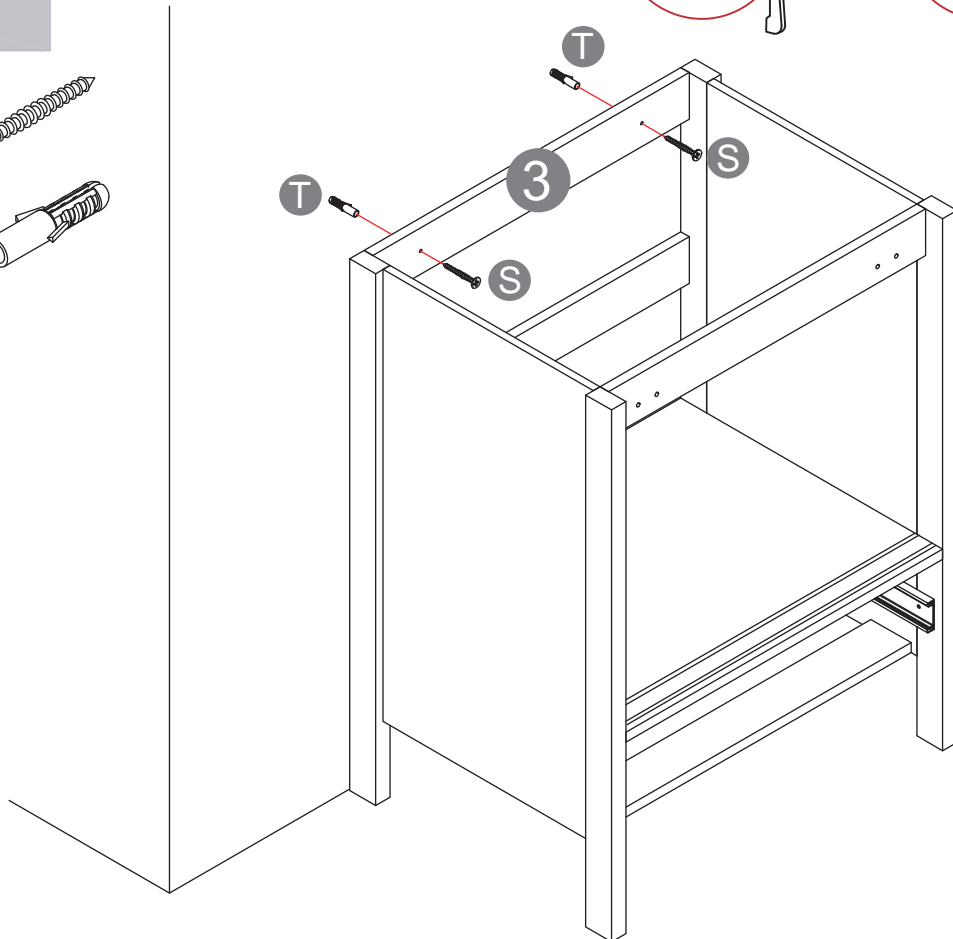
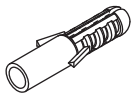


STEP 8

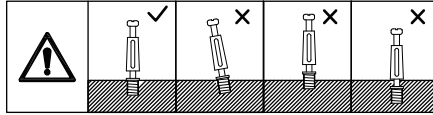
S x2pcs



T x2pcs

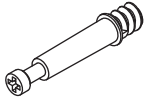


STEP 9

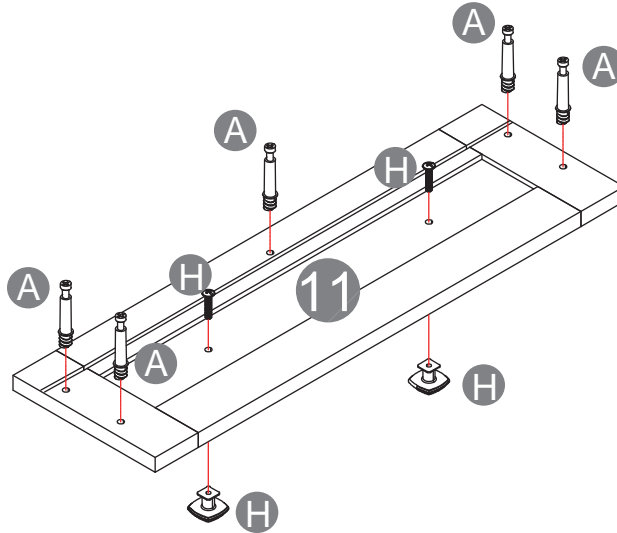
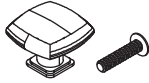


Note: Please make sure the screws are not too loose or too tight, or skewed.

A x5pcs

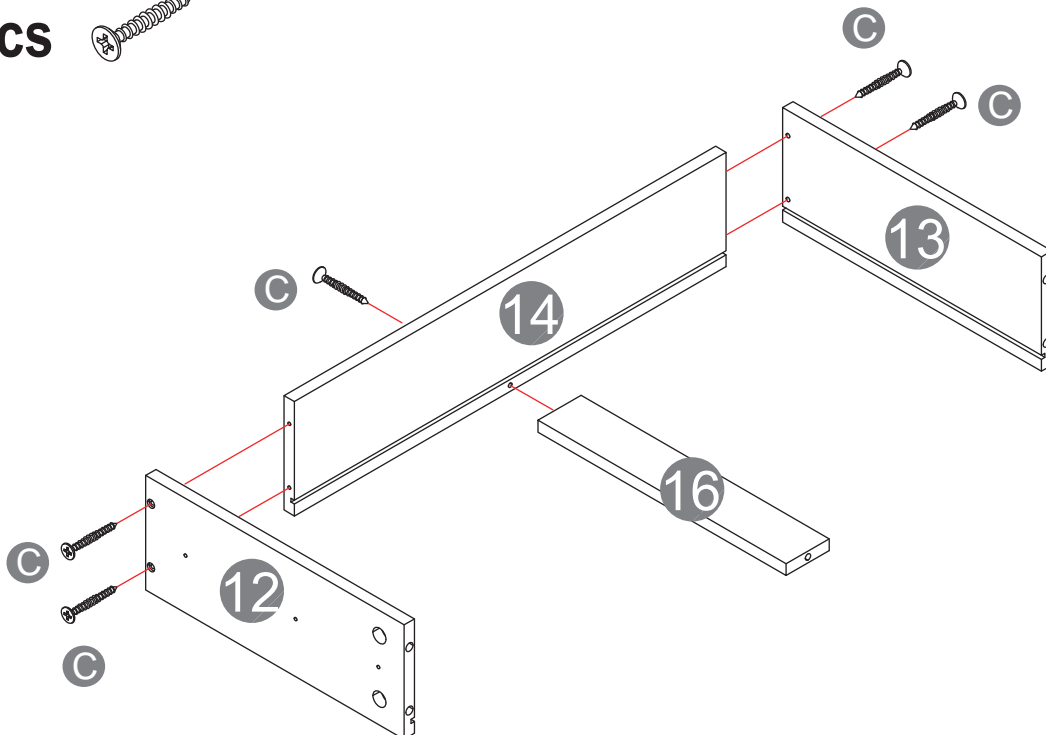
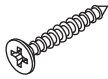


H x2pcs

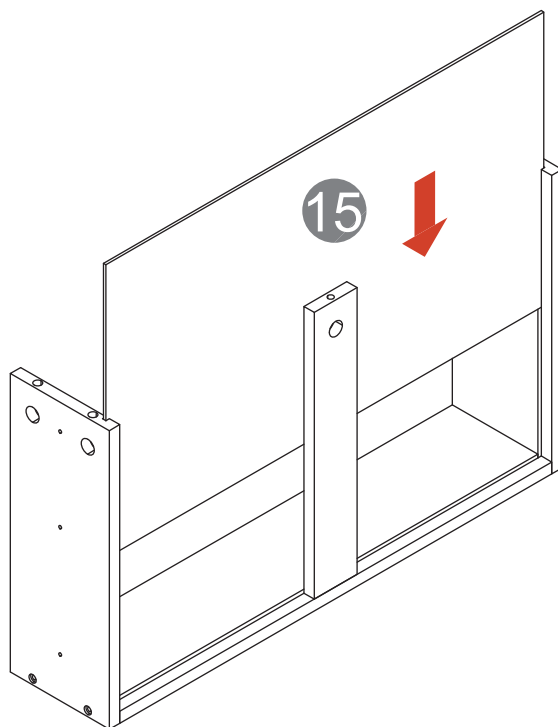


STEP 10

C x5pcs

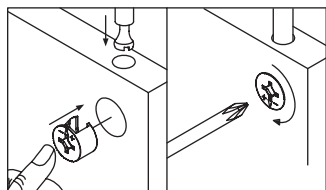
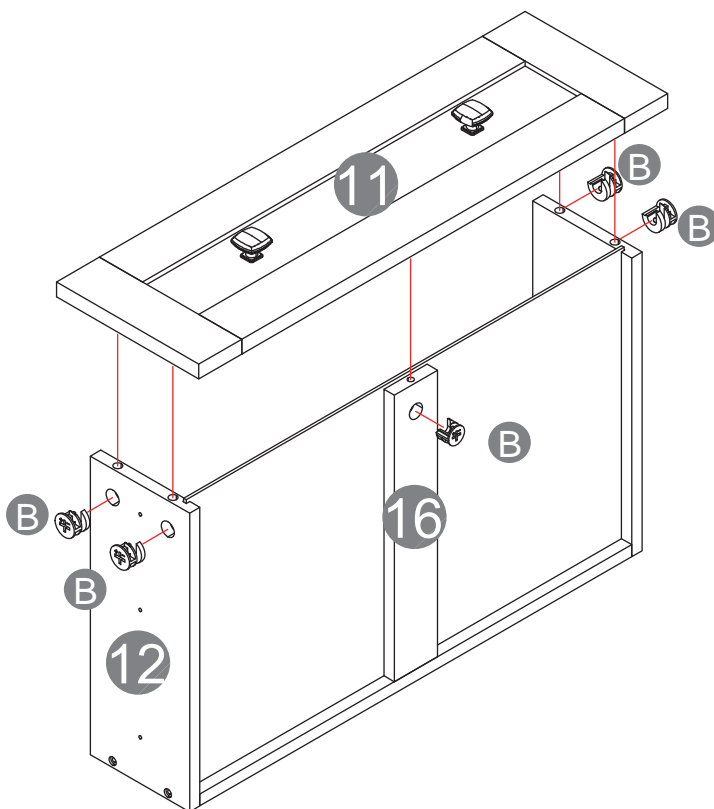


STEP 11



STEP 12

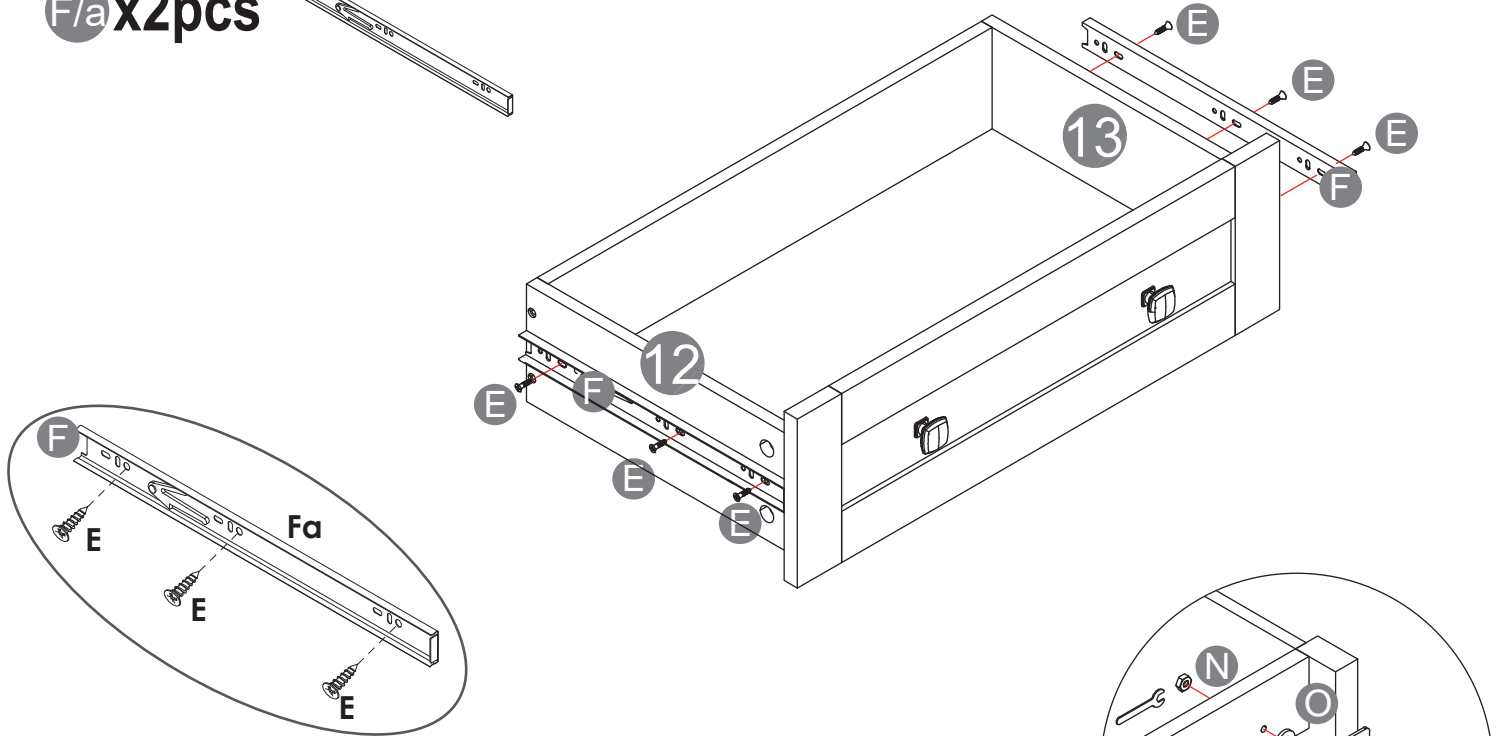
B x5pcs 



STEP 13

E x6pcs 

F/a x2pcs 



STEP 14

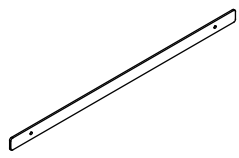
M x2pcs 

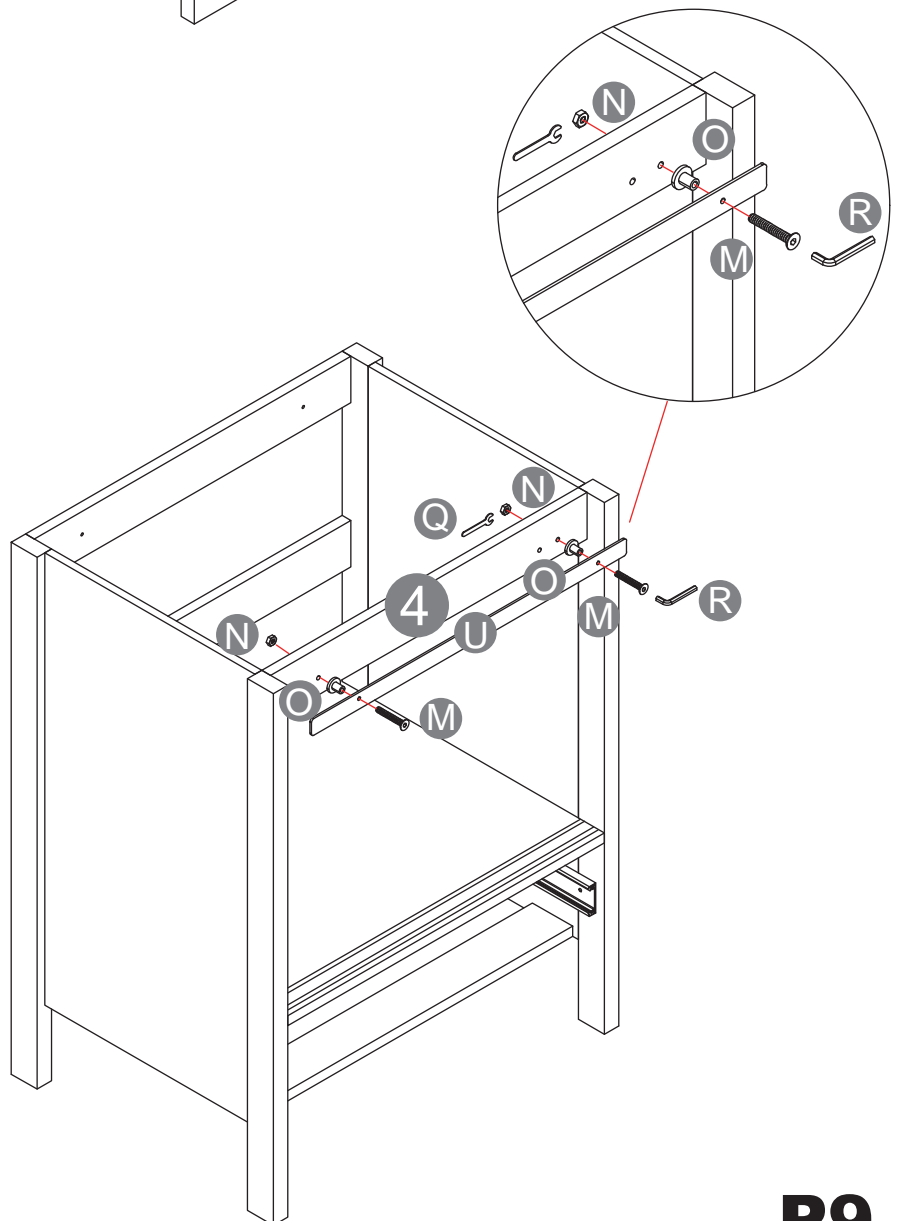
N x2pcs 

O x2pcs 

Q x1pc 

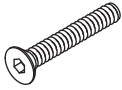
R x1pc 

U x1pcs 



STEP 15

M x2pcs



N x2pcs



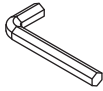
O x2pcs



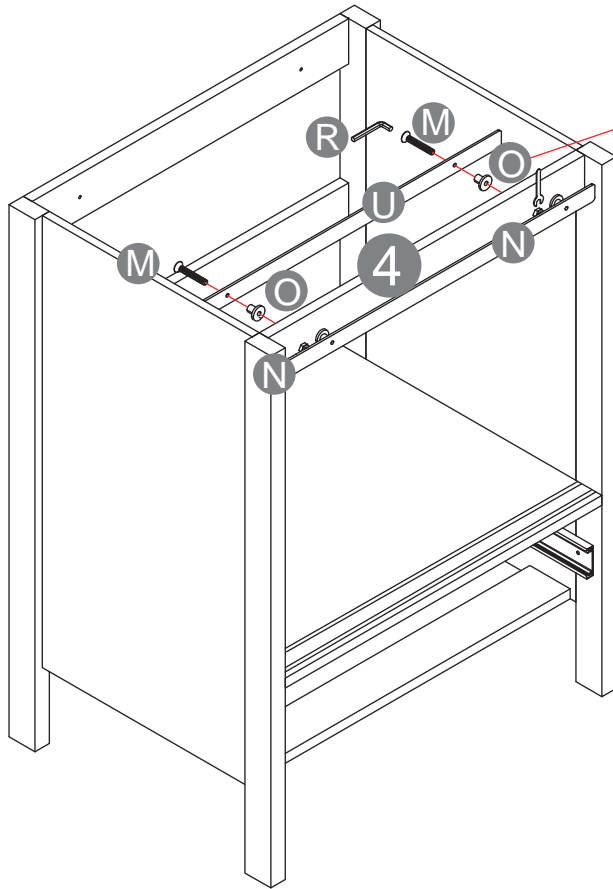
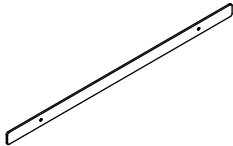
Q x1pc



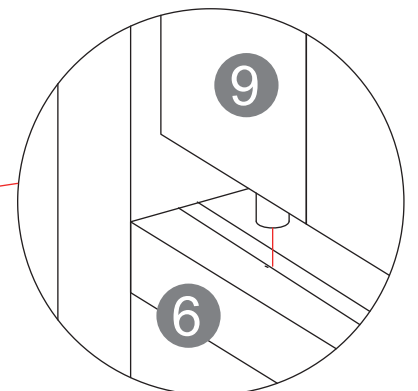
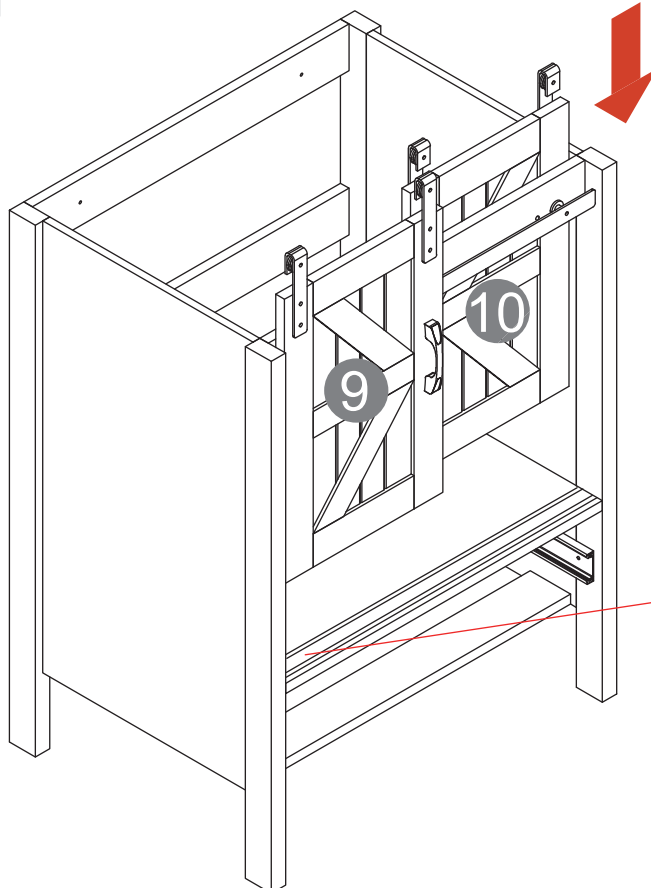
R x1pc



U x1pc



STEP 16



STEP 17

