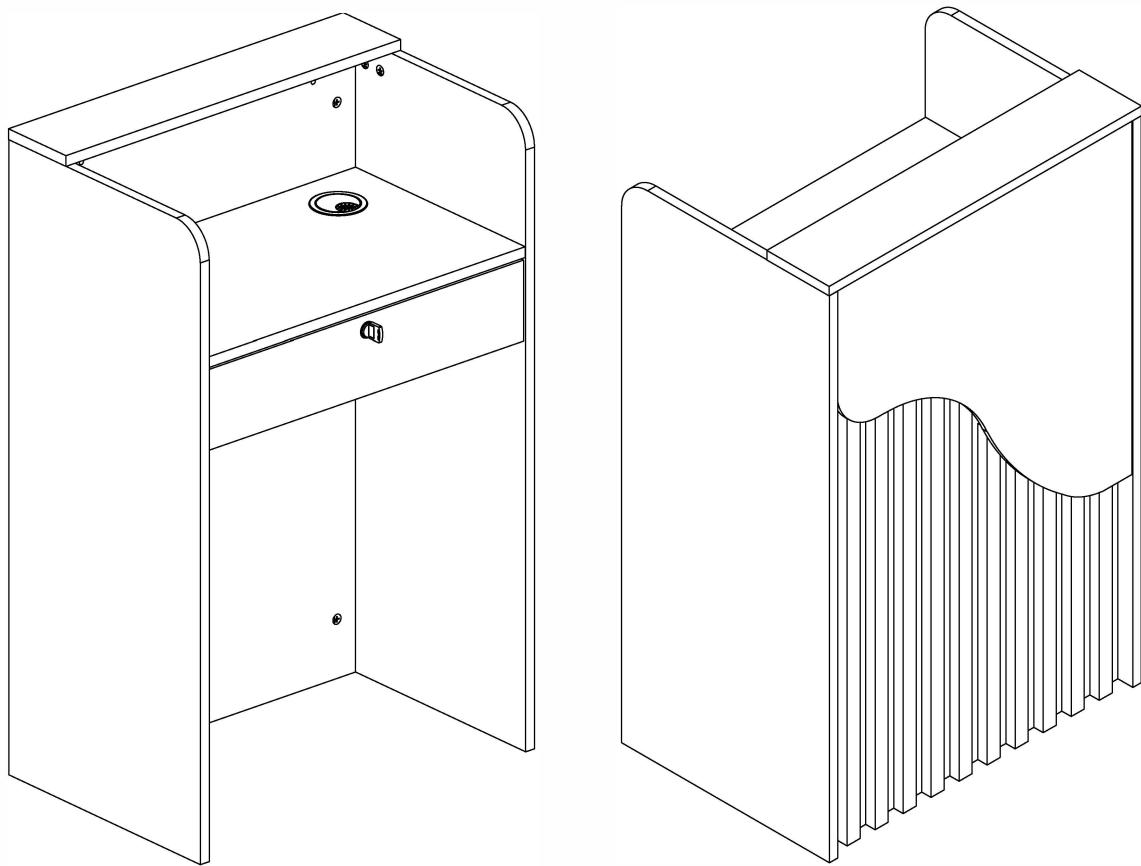


# Assembly Instruction



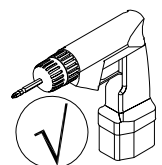
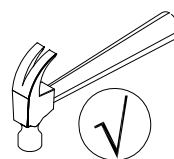
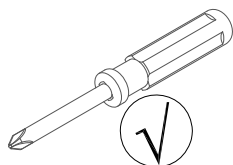
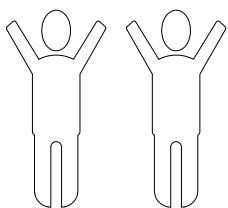
# Thank you for purchasing our quality product.

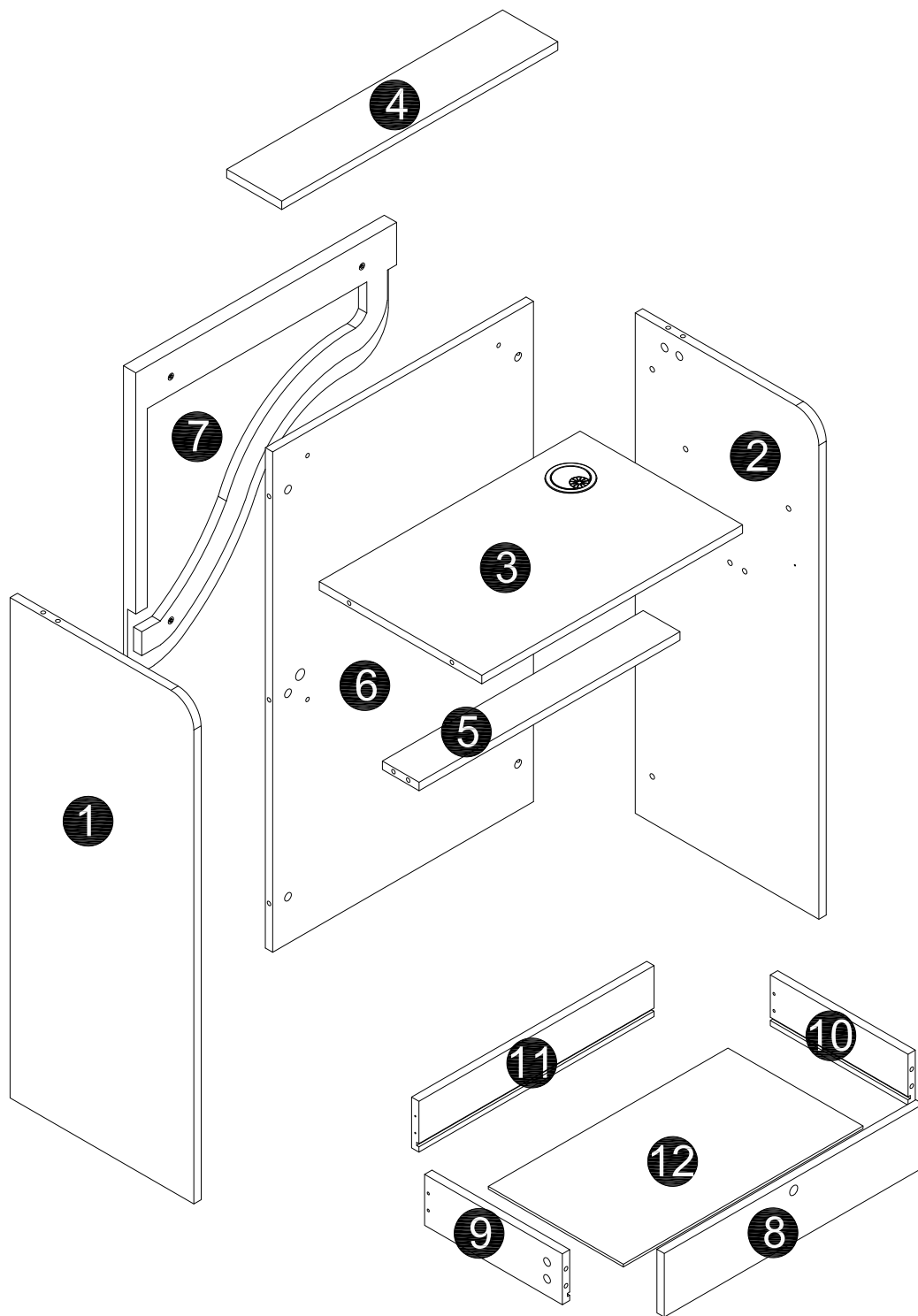
## Before Beginning & Caution

- Please take the time to read instructions ,cover to cover.
- Unpack ,inspect and check all bags and components to ensure you have all parts.
- We strongly recommend that you keep children away from the work area to avoid swallowing by mistake due to playing.
- Do not assemble on flooring or carpet, assemble on a clean and non-abrasive surface.
- Save all packing materials until assembly is completed.
- Please dispose of plastic bags safely.
- If you keep the hardware in a bowl or a special area during assembly,you will be less likely to lose them.
- Do not use products unless all screws are tight.

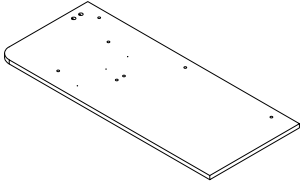
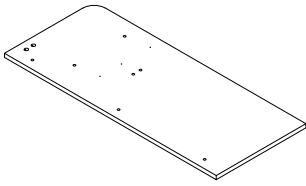
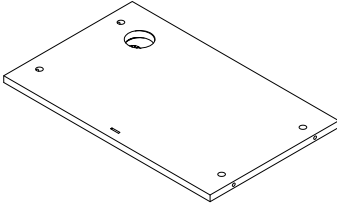
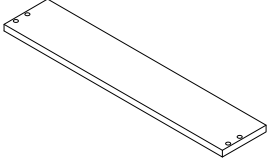
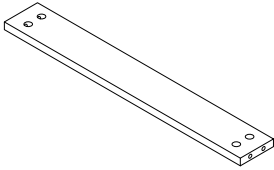
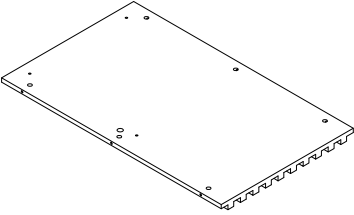
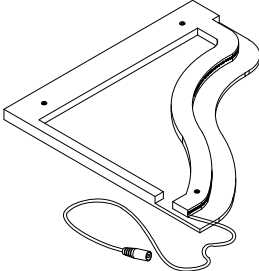
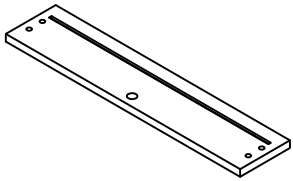
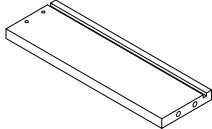
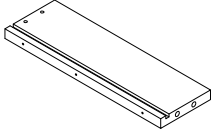
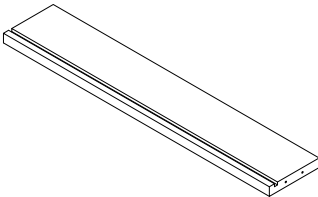
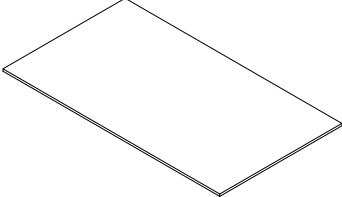
## Care & Maintenance

- Dust and pick up spills using a clean ,non-colored ,lint-free cloth.
- Stains may be removed with damp cloth.
- Keep away sharp and chemical stuff from product to avoid serious damaging.

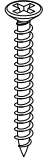




# PARTS LIST

<b>1</b>  x1	<b>2</b>  x1	<b>3</b>  x1	<b>4</b>  x1
<b>5</b>  x1	<b>6</b>  x1	<b>7</b>  x1	<b>8</b>  x1
<b>9</b>  x1	<b>10</b>  x1	<b>11</b>  x1	<b>12</b>  x1

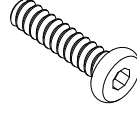
# HARDWARE LIST



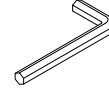
Ø8\*M4\*30mm  
A×4 PCS



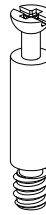
Ø7\*M3.5\*12mm  
B×12 PCS



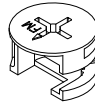
M6\*25mm  
C×3 PCS



M6  
D×1 PC

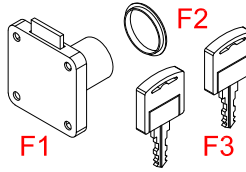


E1×22PCS



E2×22PCS

E



F1

F2

F3

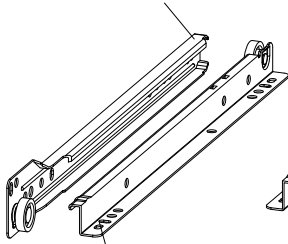
F x1PC



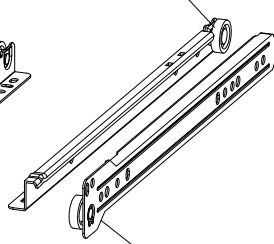
Ø6\*M3.5\*16mm  
G×4PCS

H1(CL)x1PC

H2(DR)x1PC

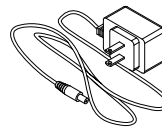


H1(DL)x1PC

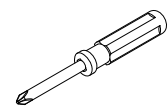


H2(CR)x1PC

H



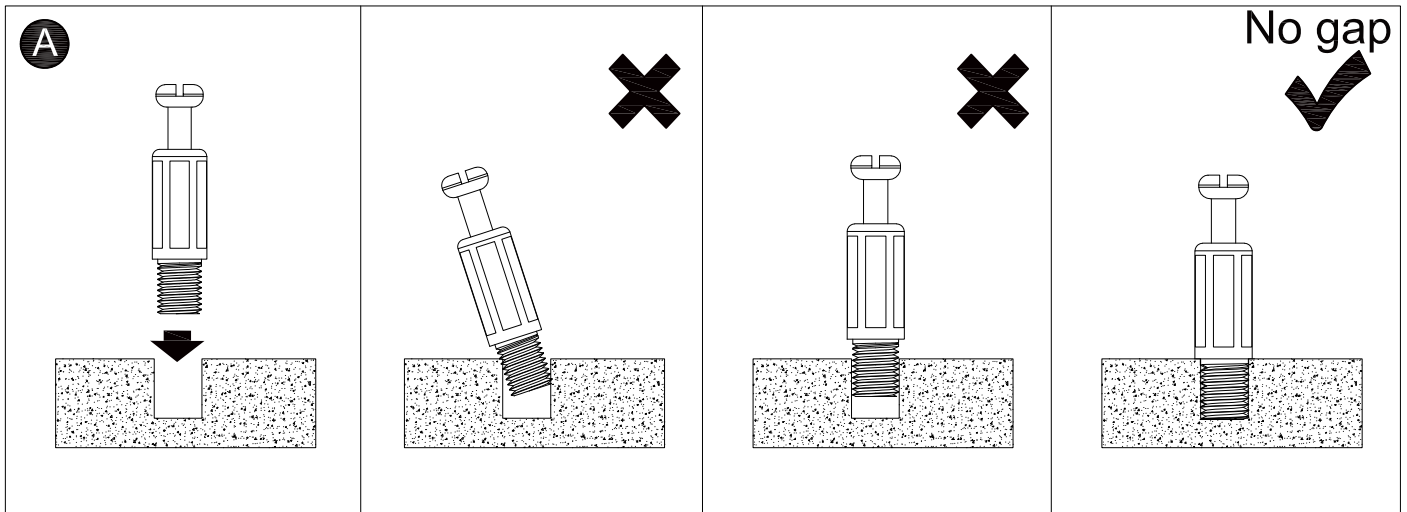
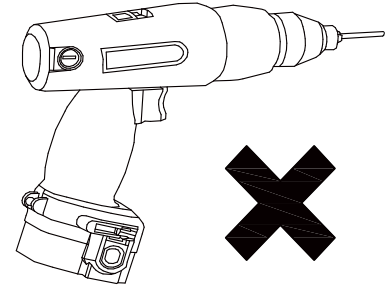
I x1PC



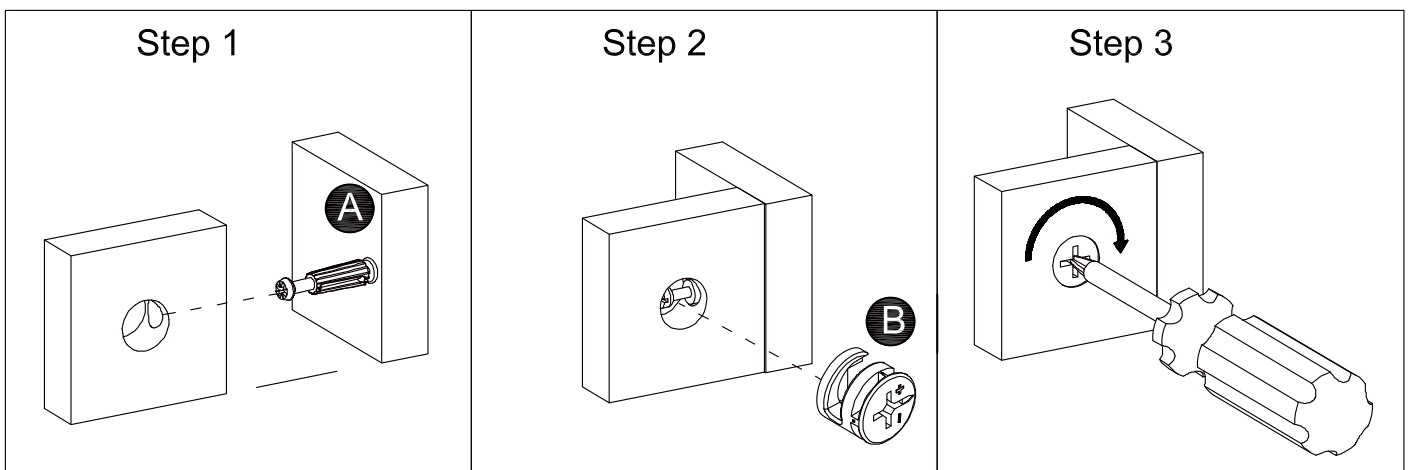
J×1PC

## Installation of Cams and Pins

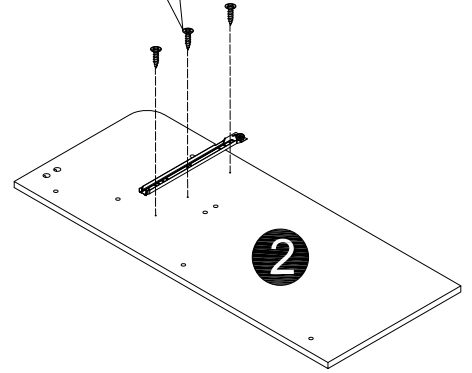
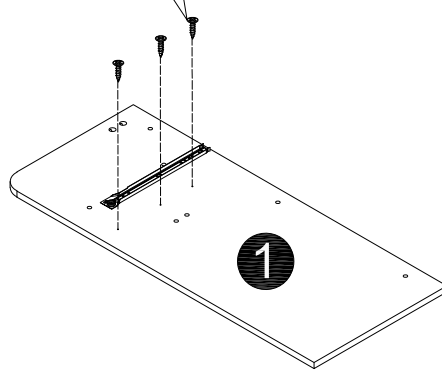
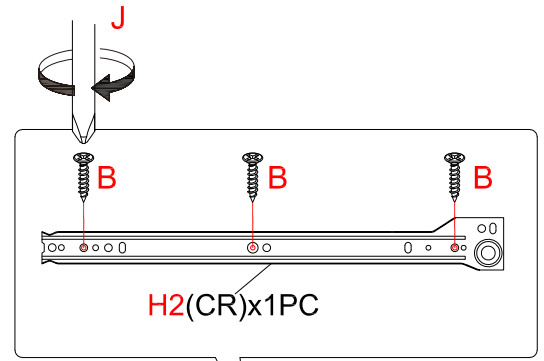
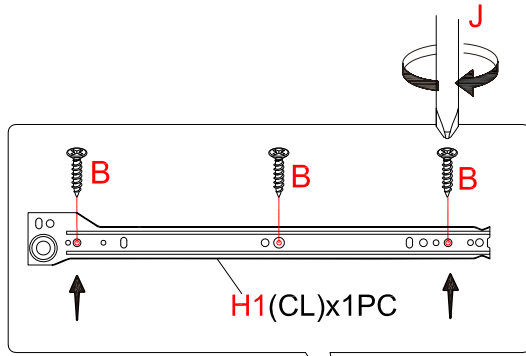
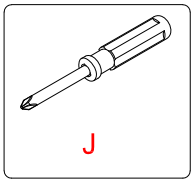
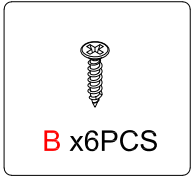
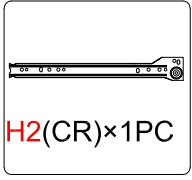
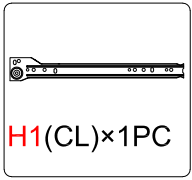
Read each step carefully before starting. Each step of instruction should be performed in the correct order. If these steps are not followed in sequence, assembly difficulties may occur.



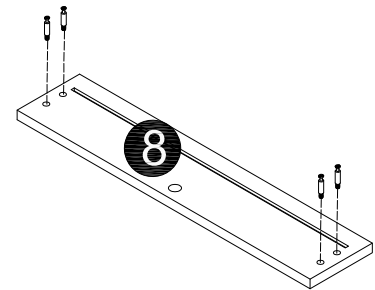
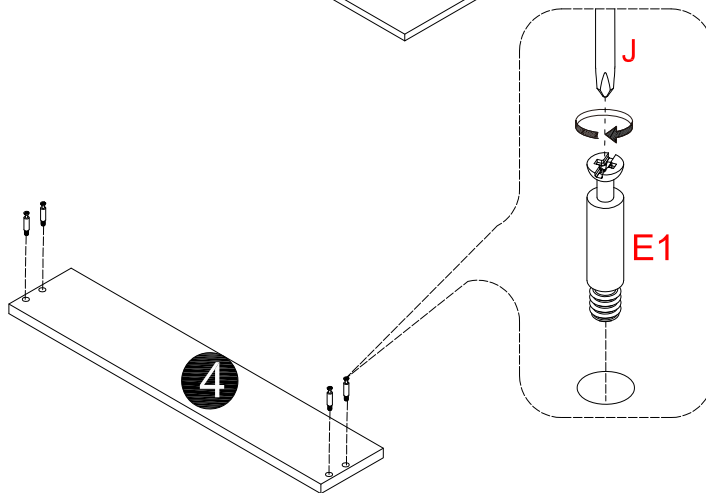
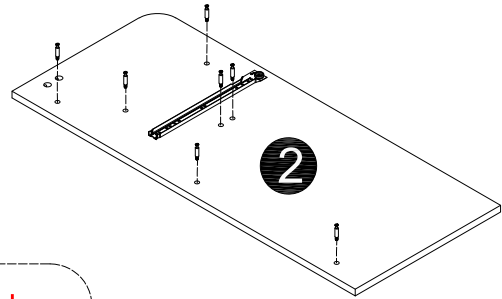
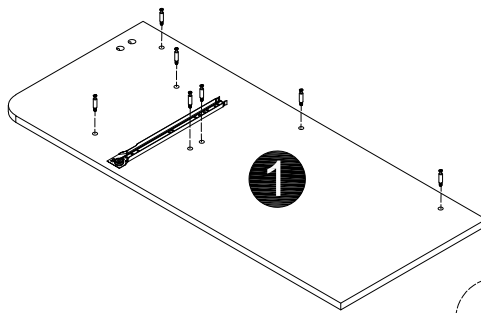
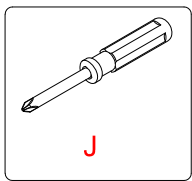
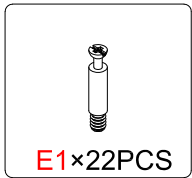
Screw the pin into the hole. Set the cams correctly by aligning the head of the cams with the lock pins. Lock the cam by turning the cam head with a screwdriver until it is tightened. Please do not use an electric screwdriver to assemble the unit.



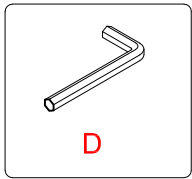
# STEP 1



# STEP 2

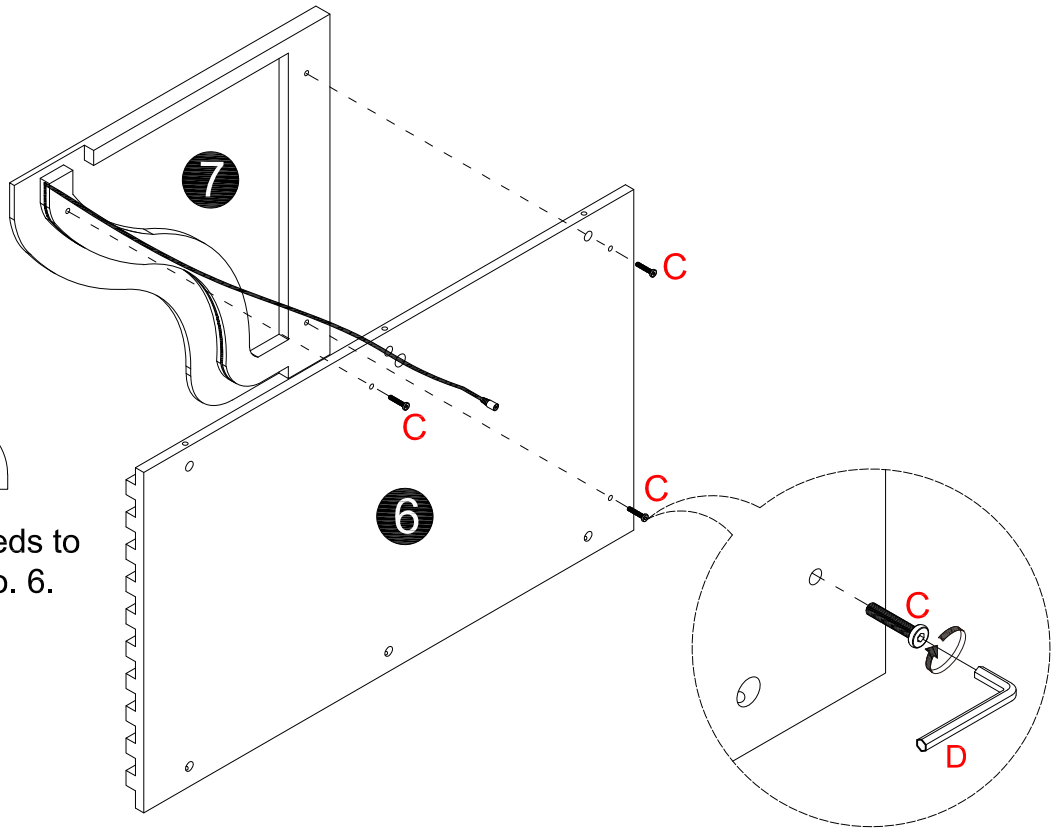


### STEP 3

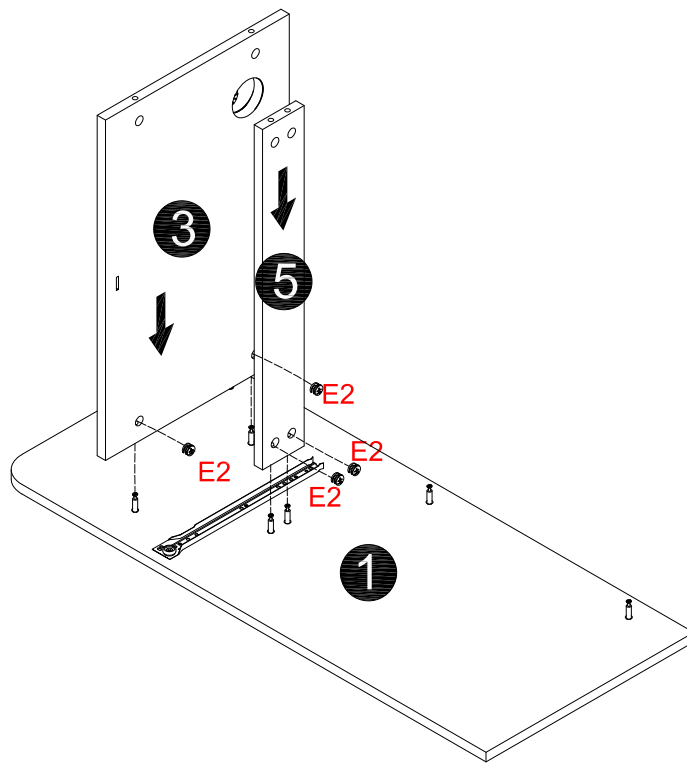
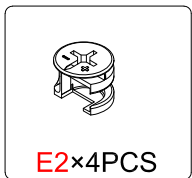


**Attention**

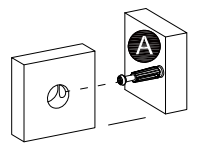
The light strip plug needs to pass through Panel No. 6.



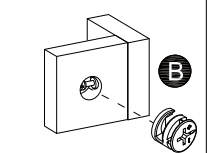
### STEP 4



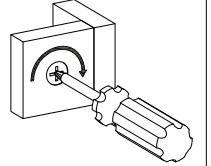
### STEP 1



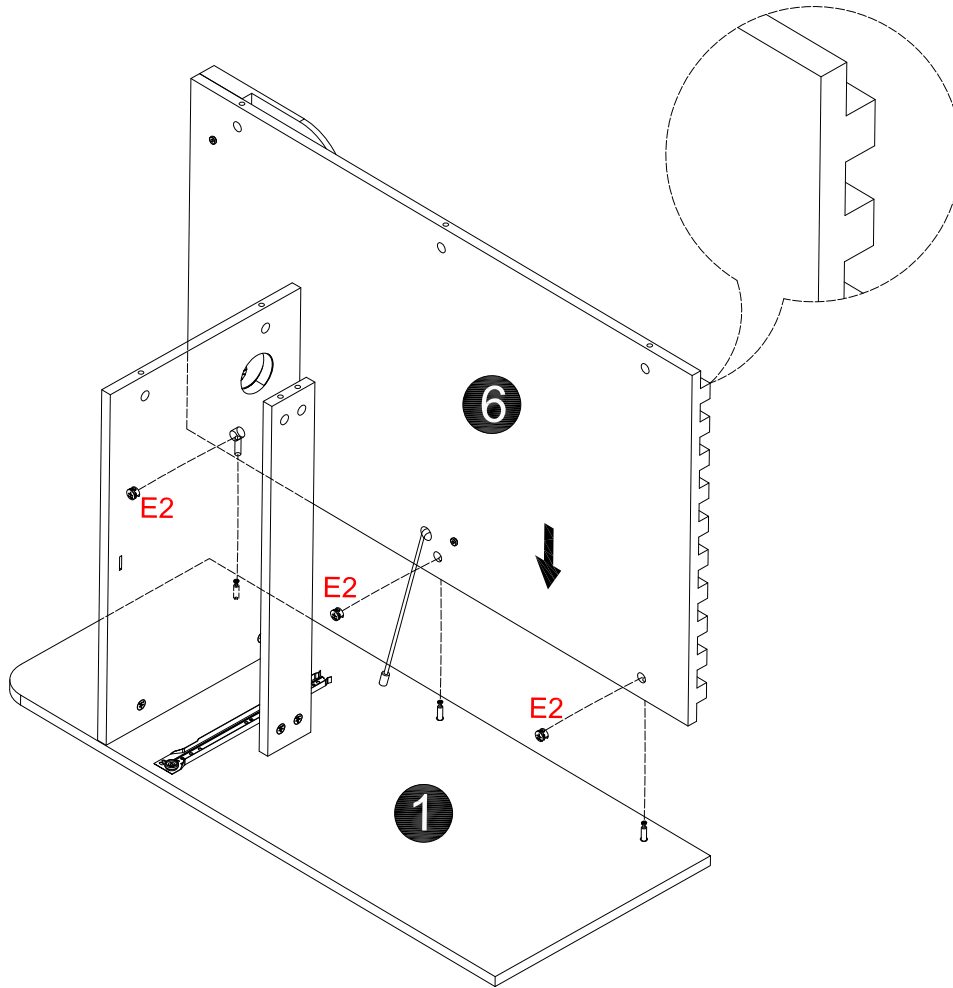
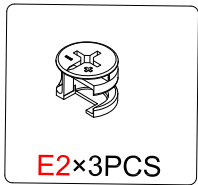
### STEP 2



### STEP 3



# STEP 5

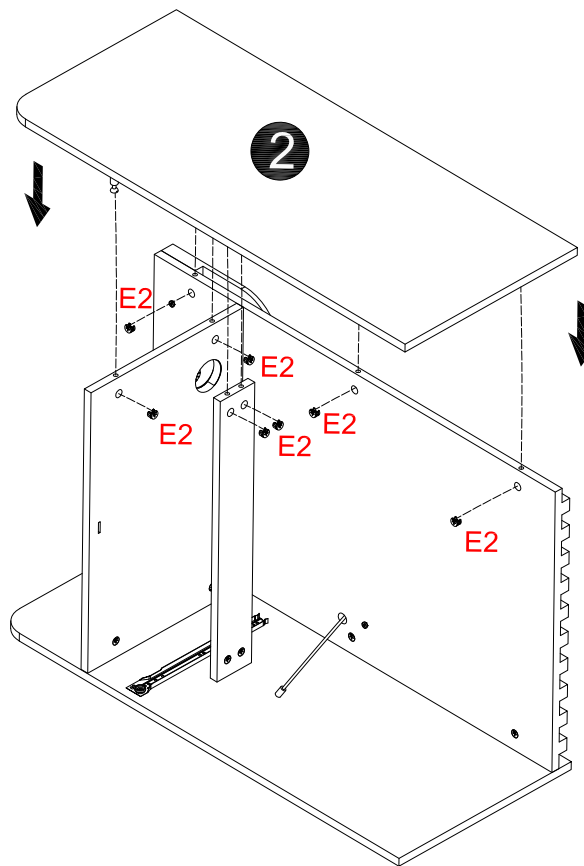
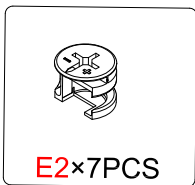


**STEP 1**

**STEP 2**

**STEP 3**

# STEP 6



**STEP 1**

**STEP 2**

**STEP 3**

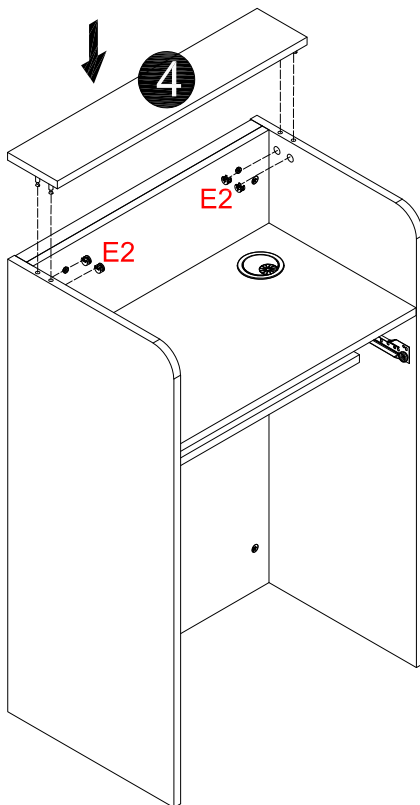
## STEP 7



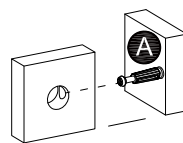
E2×4PCS

**Attention**

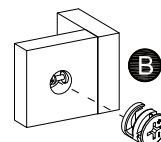
Board 4 has front/back sides



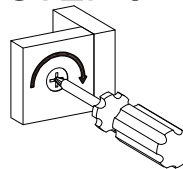
## STEP 1



## STEP 2



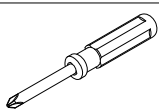
## STEP 3



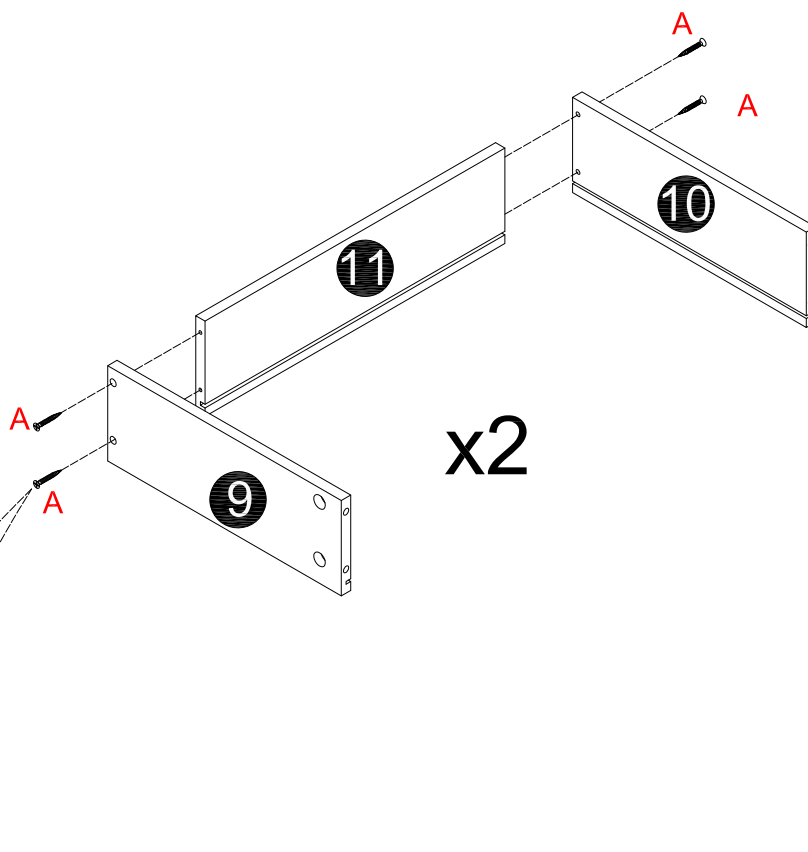
## STEP 8



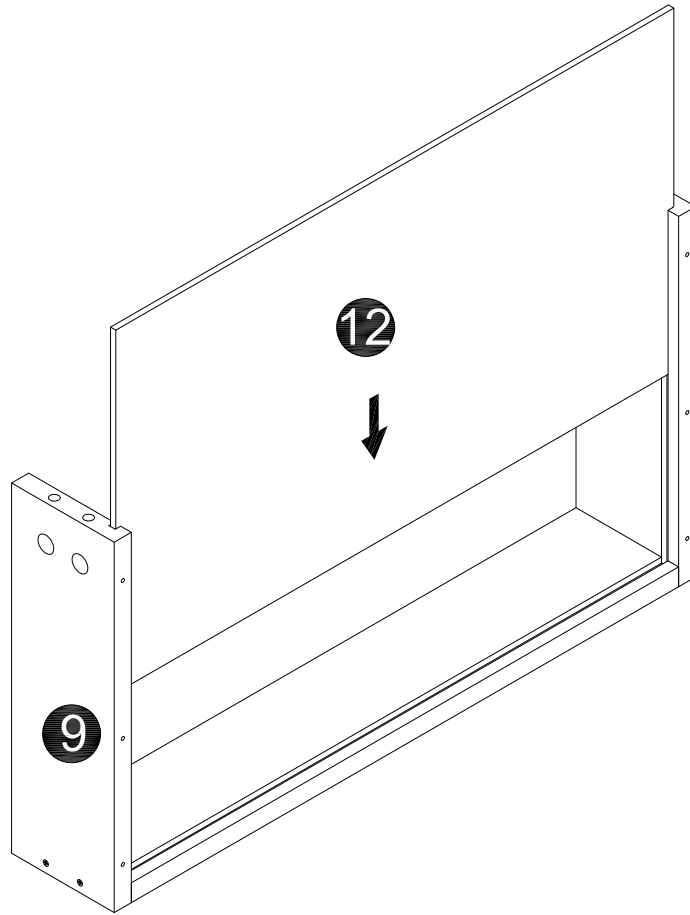
Ø8\*M4\*30mm  
A×4PCS



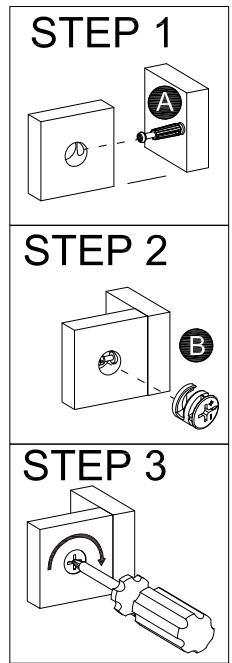
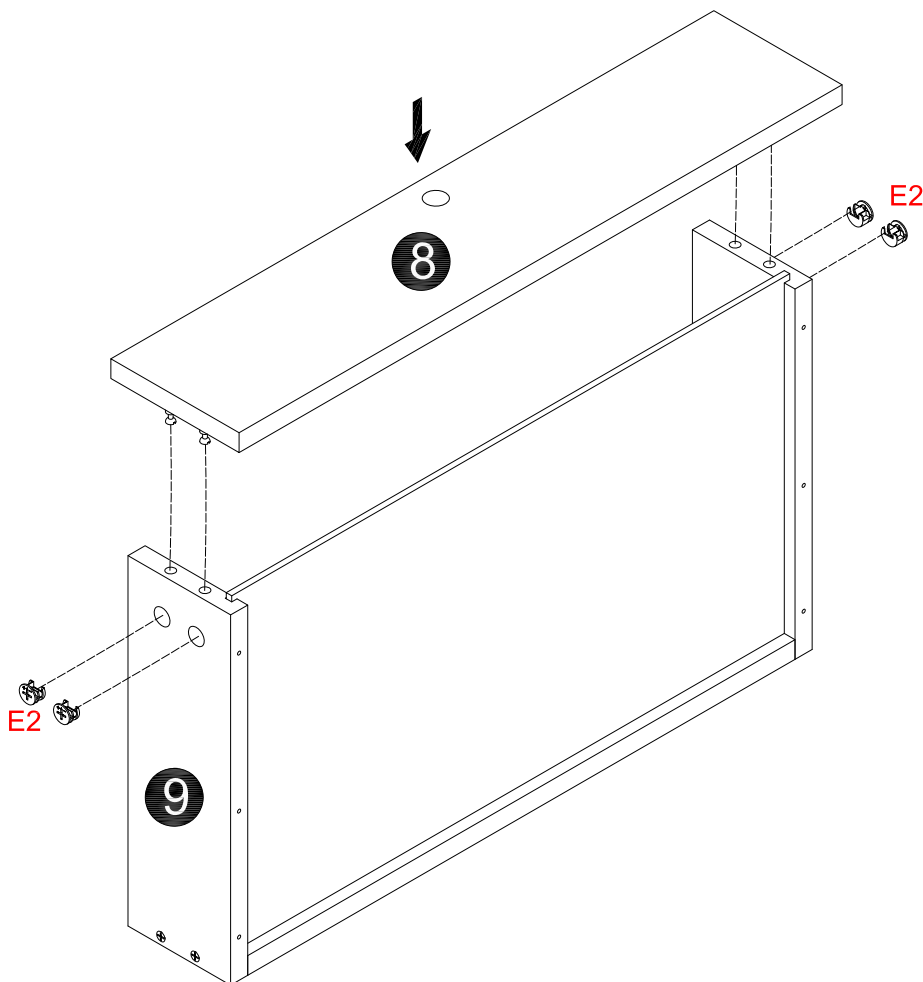
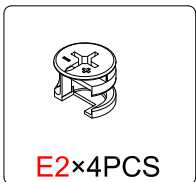
J



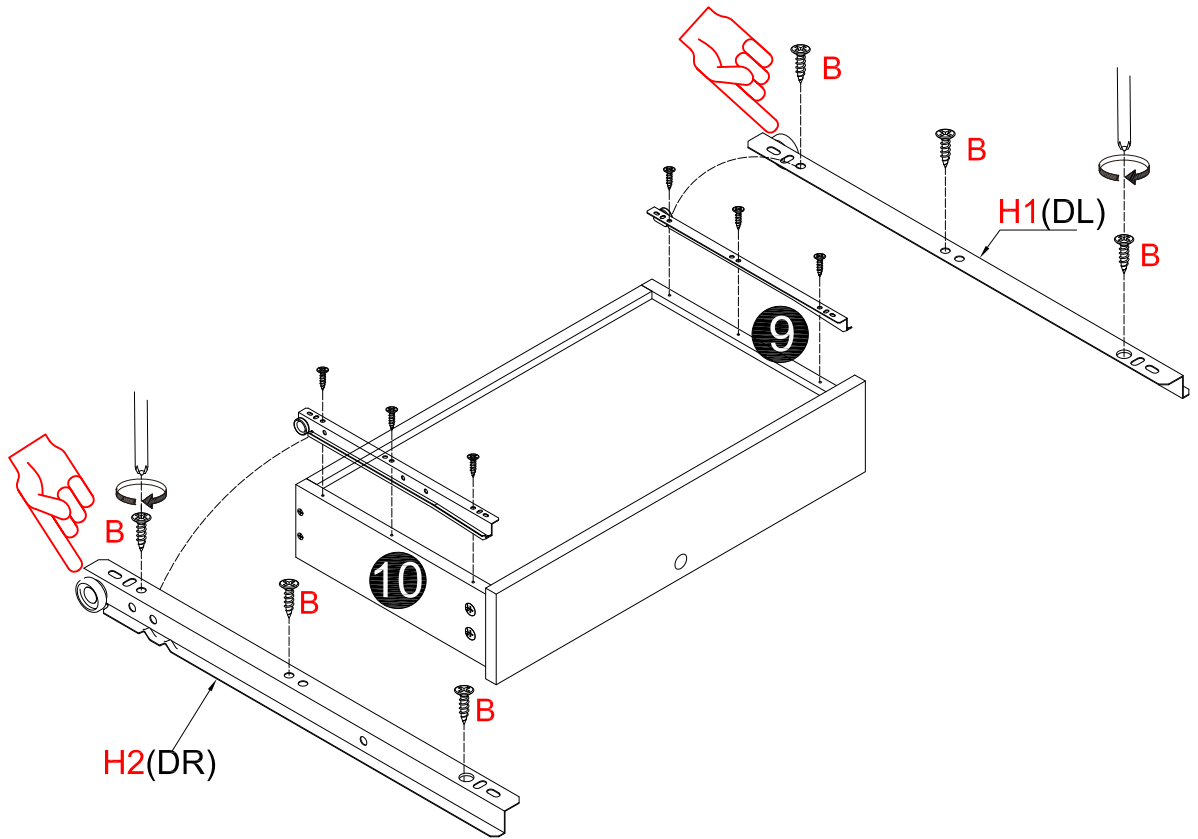
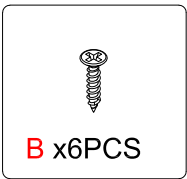
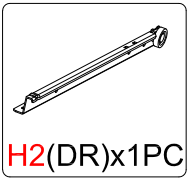
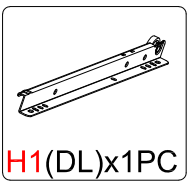
# STEP 9



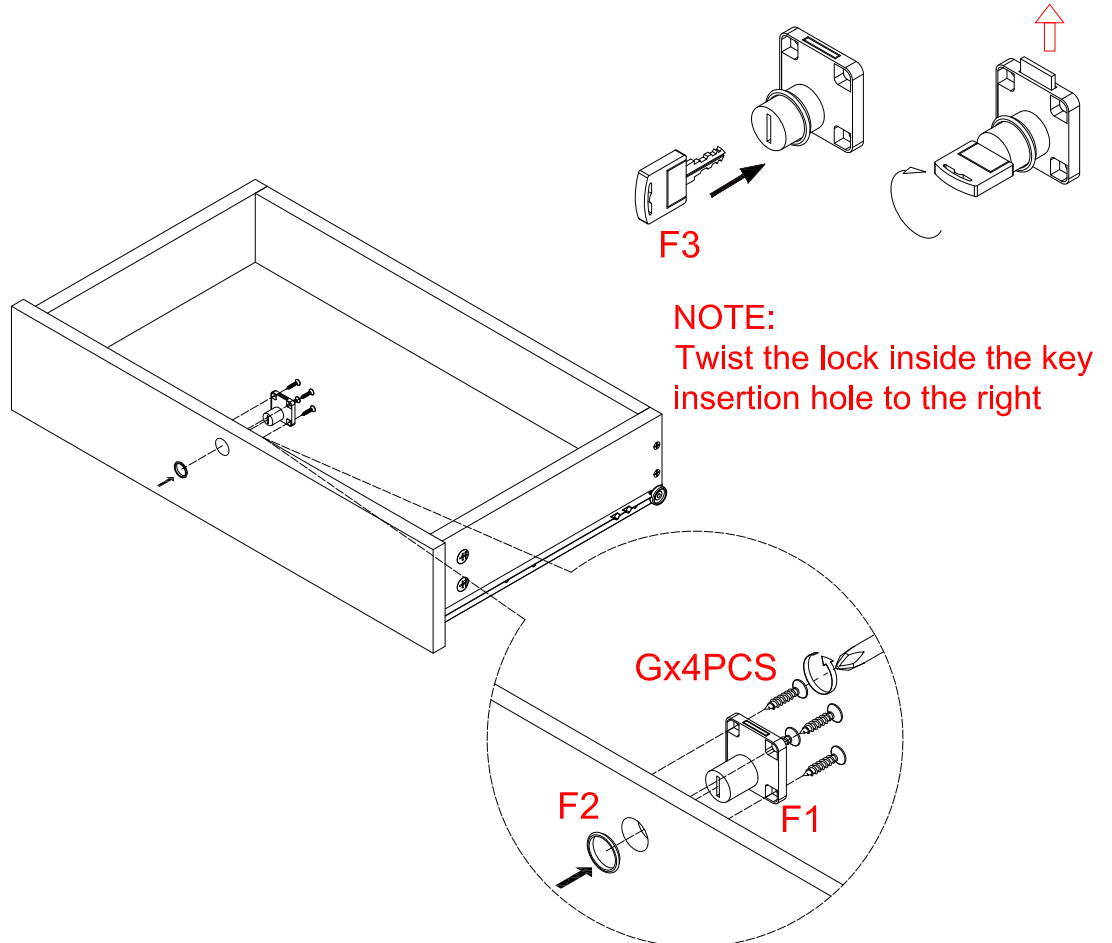
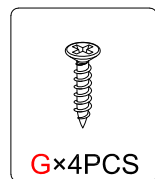
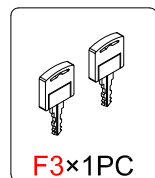
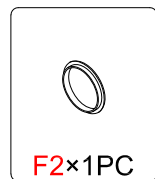
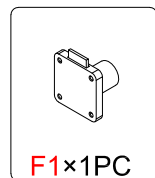
# STEP 10



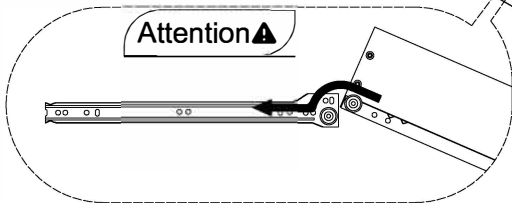
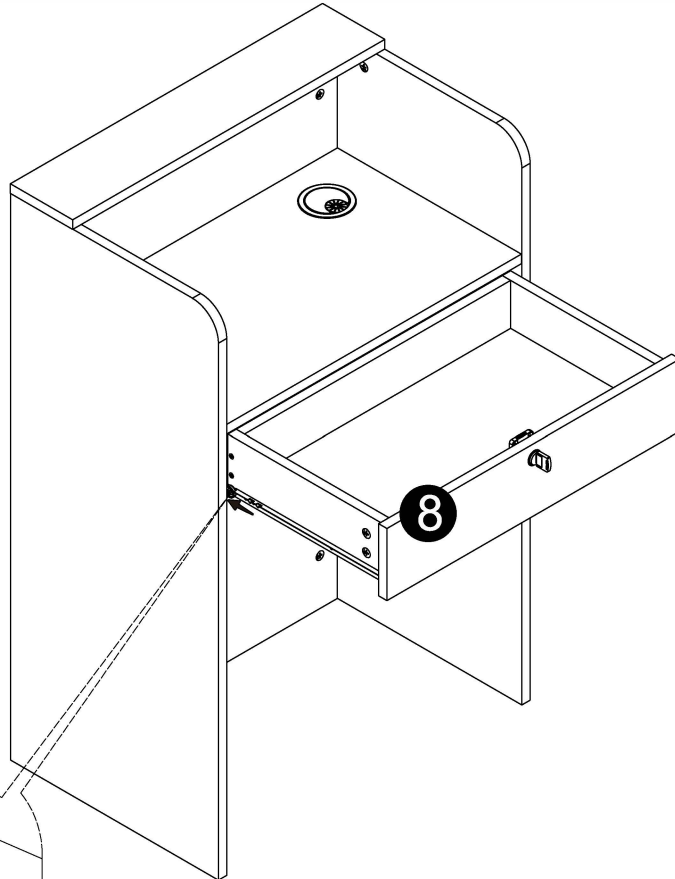
## STEP 11



## STEP 12



# STEP 13



# STEP 14

