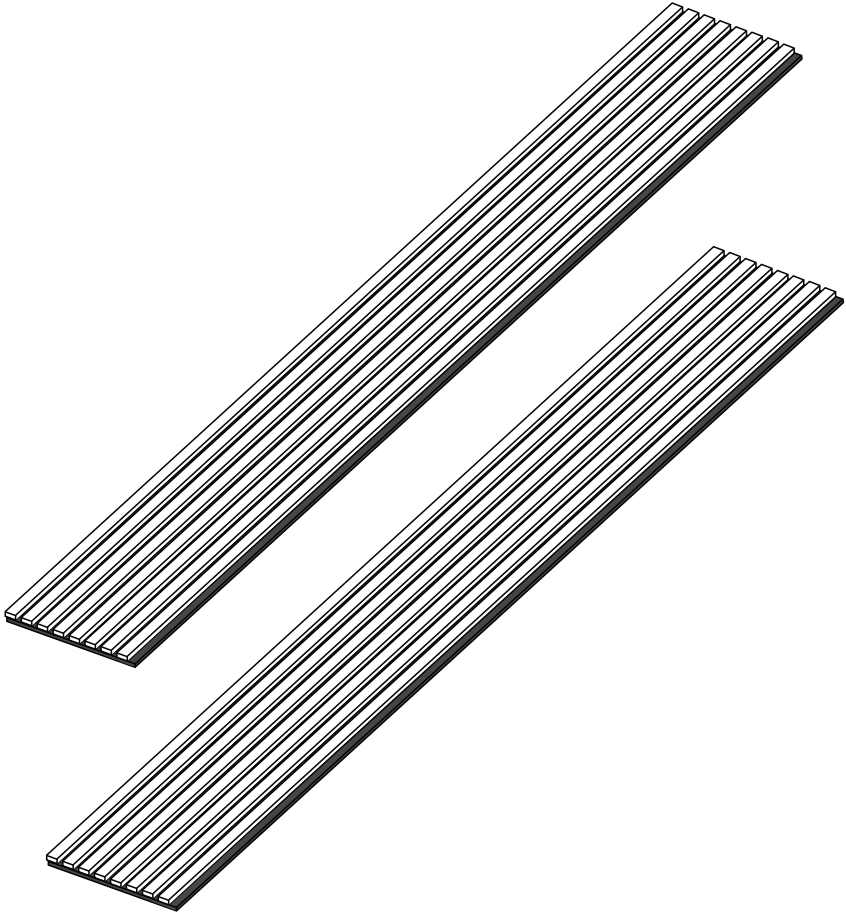


3D Wall Panels Instruction Manual

NV028-DX

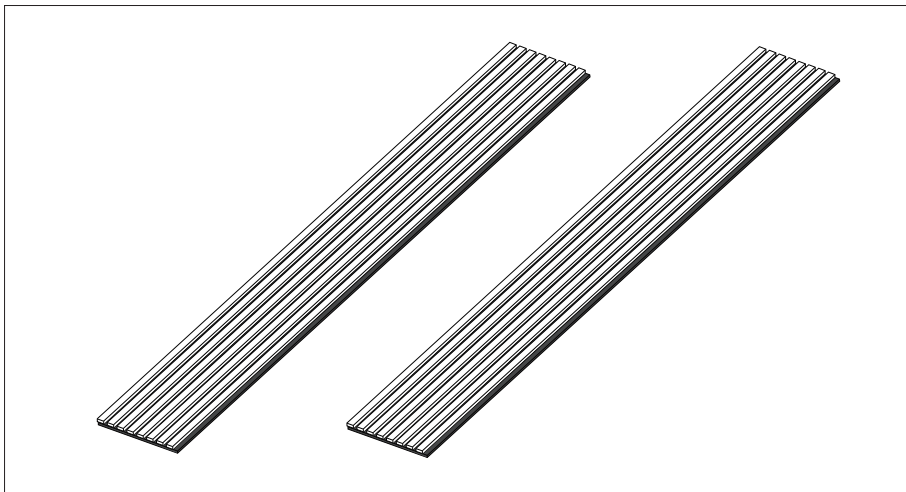


Customer Service Email: help@EverythingSupport.com

Toll free : (855)208-0668 (MON-FRI 9:00am-6:00pm Eastern Time)

Package Included

3D wall panels ----- 2pcs



Prior to installation: review the quality. If the wall panels is damaged, please contact our customer service.

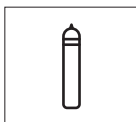
You may need



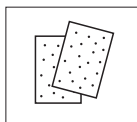
Caulking Gun



Tape Measure



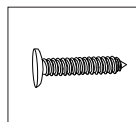
Silicone



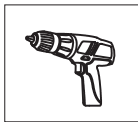
Sandpaper



Pencil



Screw



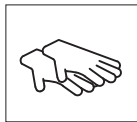
Drill



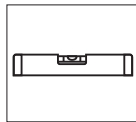
Jig Saw



Safety Goggles



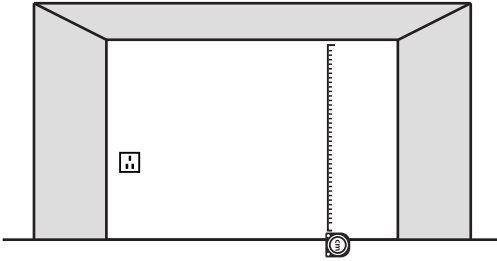
Cut Resistant
Gloves



Spirit Level

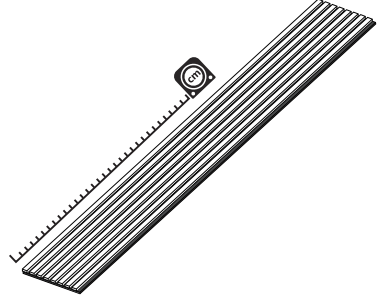
STEP 1

Measure total wall height and width



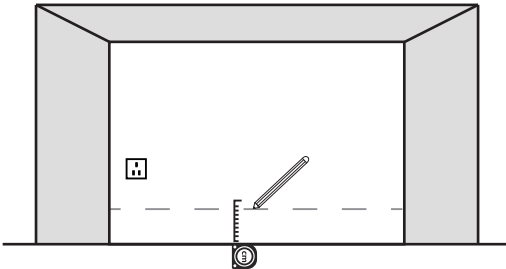
STEP 2

Measure wall panel length and width



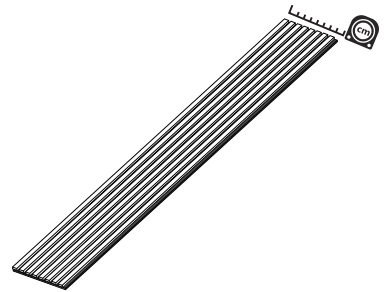
STEP 3

Remaining wall height mark with a pen



STEP 4

Measure the width of the wall plate with a tape measure



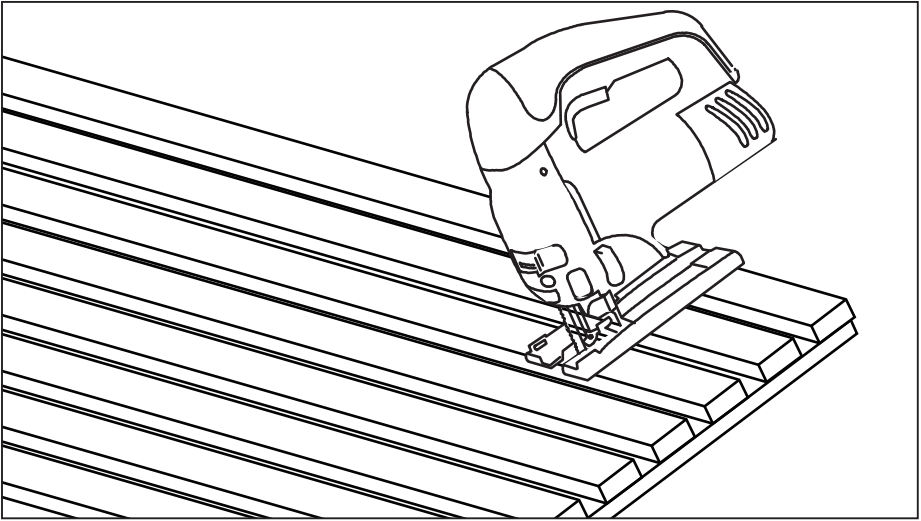
Total wall height - wall panels = remaining wall height

Tip: It is necessary to reserve in advance the location of items that are fixed on the wall and cannot be moved, such as sockets, TVs, etc.

STEP 5

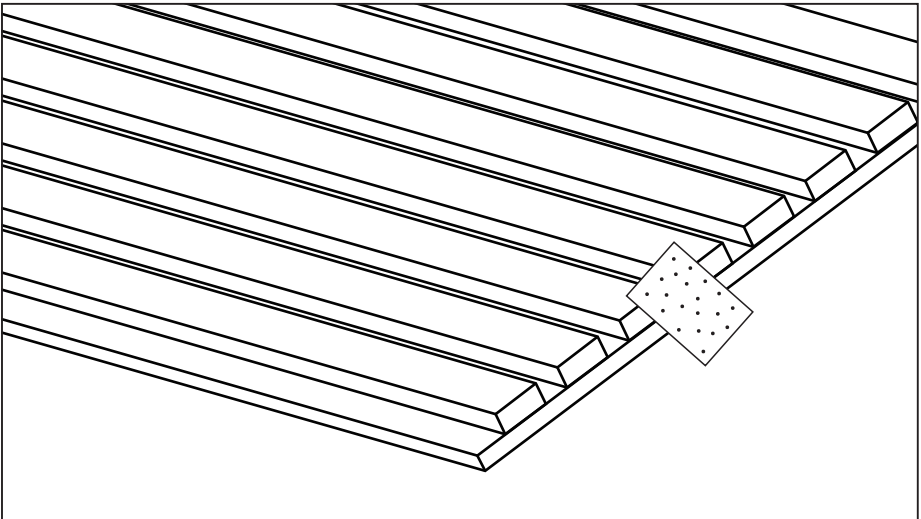
Use a Jig Saw to cut out the required panel

Tip: Be cautious when doing this step



STEP 6

Sand the rough edges with sandpaper



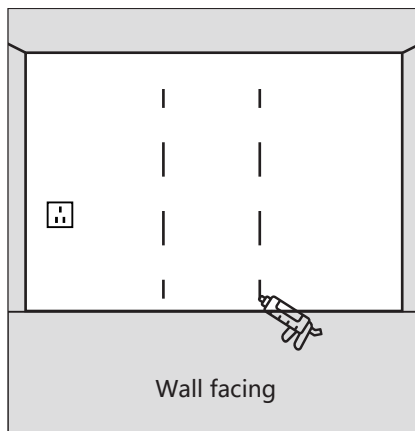
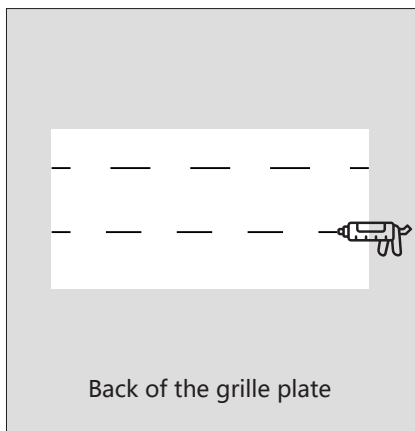
There are two installation methods for you to choose

A. Installation method with resin silicone

STEP 1

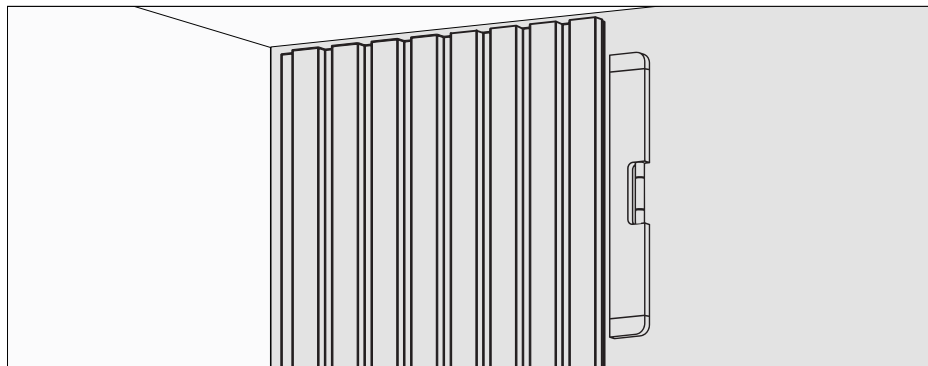
Apply glue to the back of the board or the wall with a caulk gun

Tip: clean the panel before installation



STEP 2

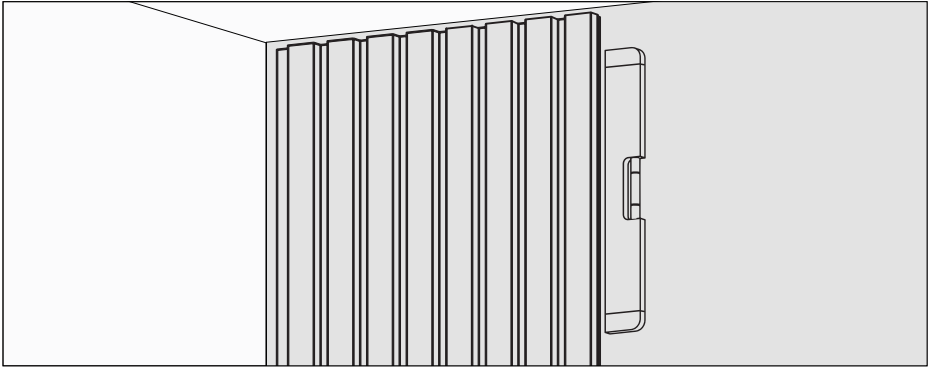
Use a level to align the wall panels vertically and stick them to the wall in the corresponding position



B. Installation method with screws

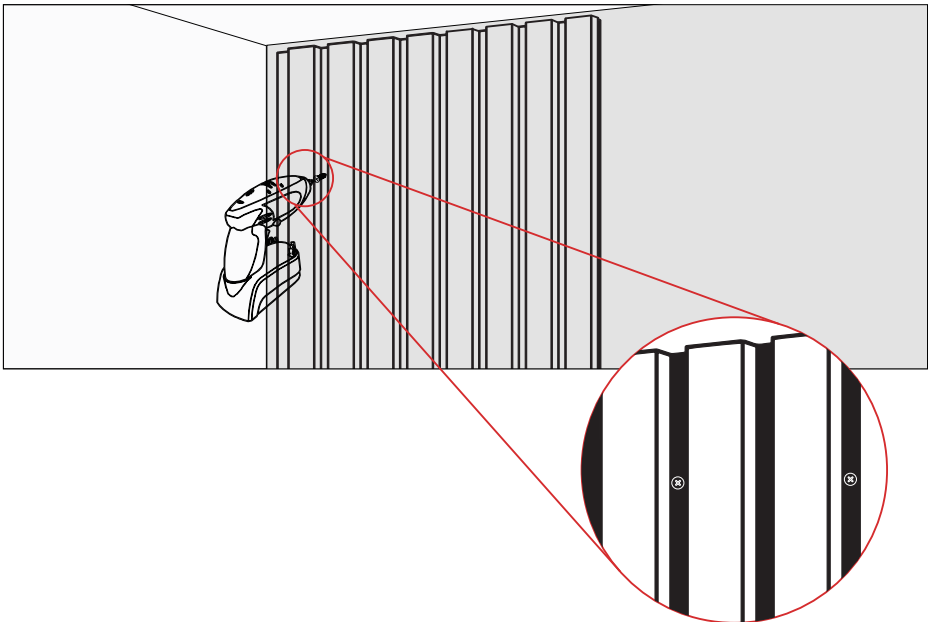
STEP 1

Align a spirit level with the wall panel vertically to avoid a tilted installation



STEP 2

Drill the screws from the wall plate to the wall with an electric drill



Final check confirmation

After all the installation and then double check whether all fixed on the wall.

You will then have a very quiet and beautifully modern, soothing and relaxing environment.

