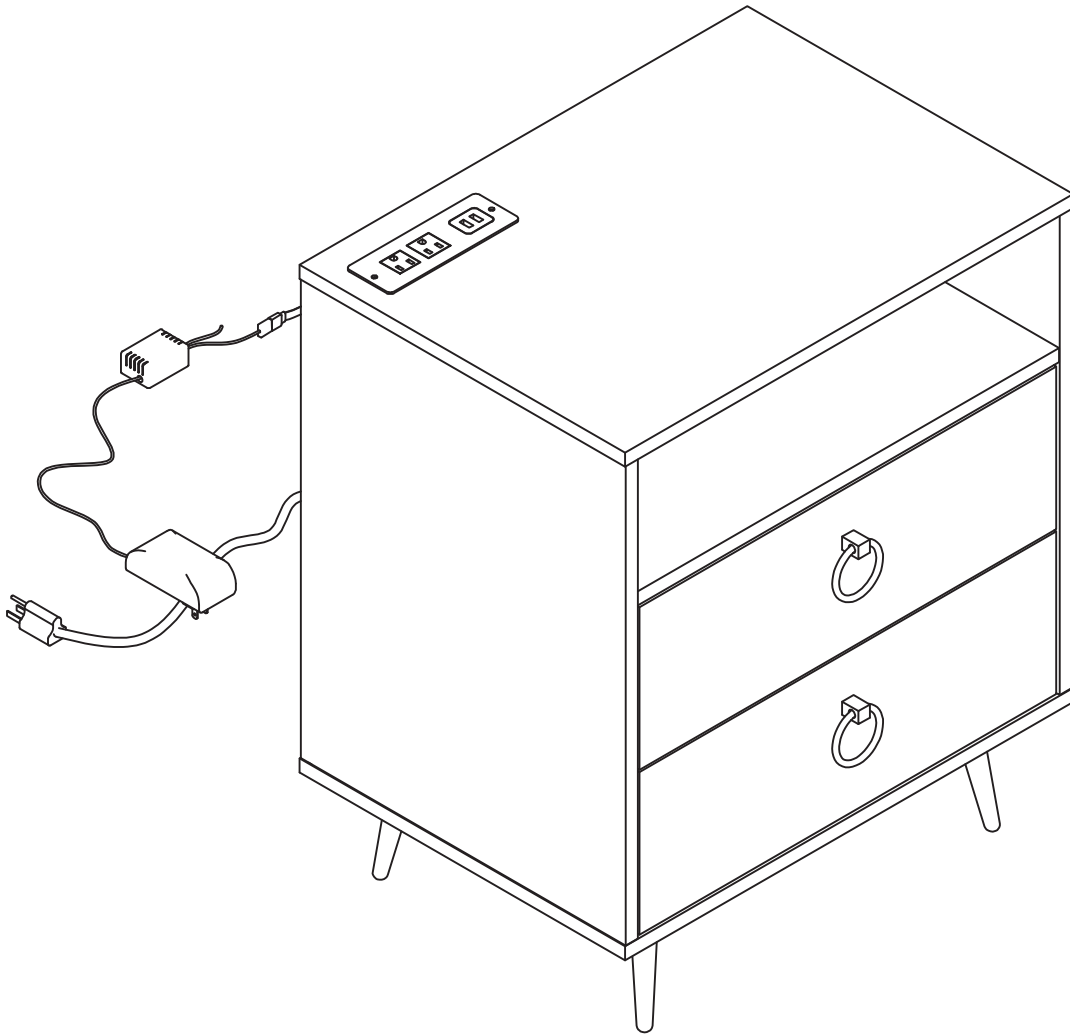


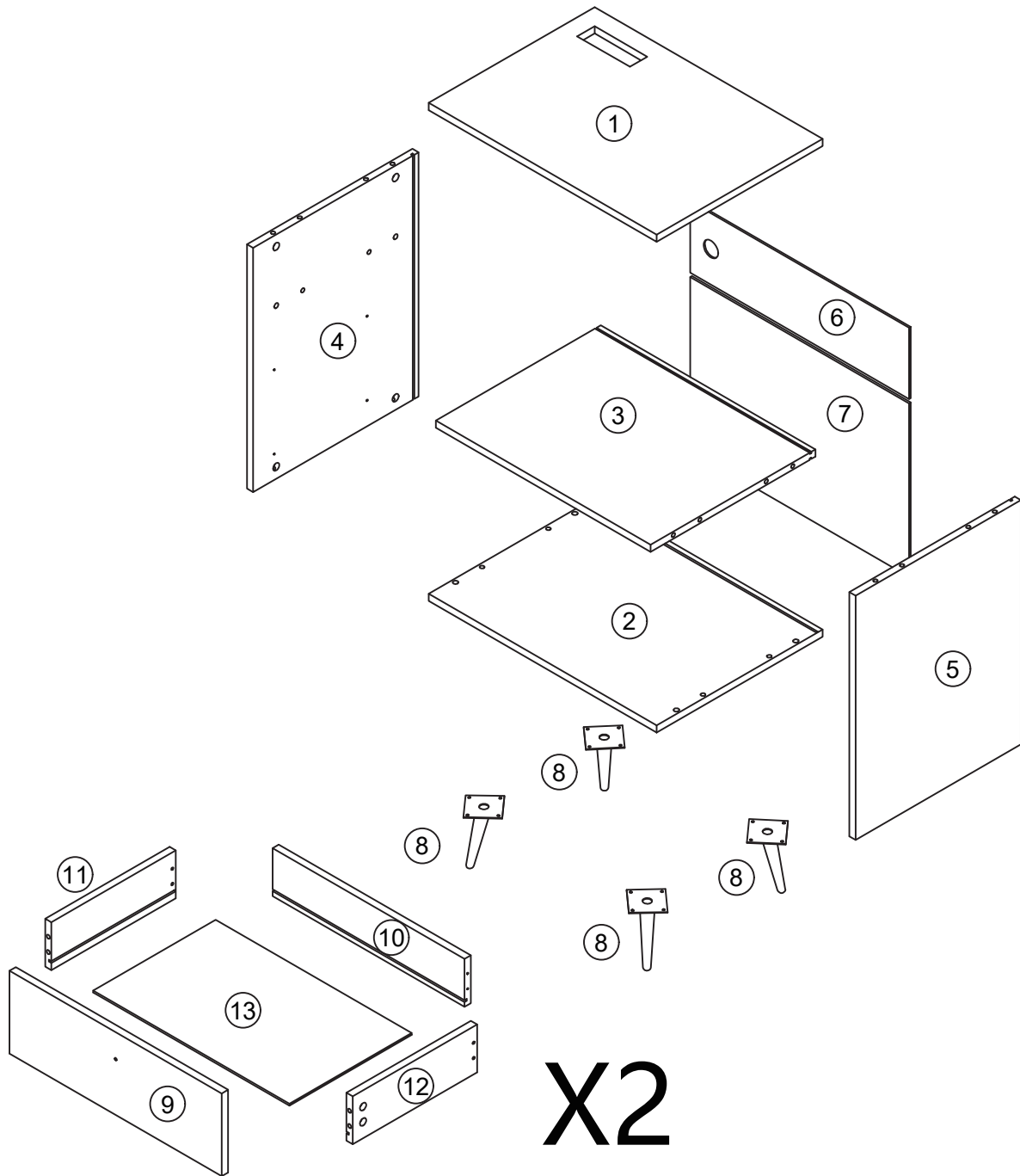
1

# ASSEMBLY INSTRUCTIONS

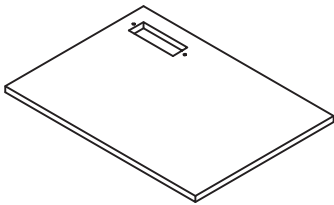
---



# BOARD IDENTIFICATION

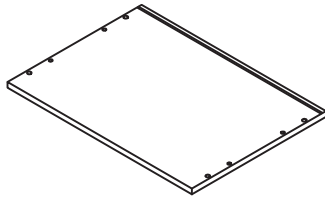


# PARTS LIST



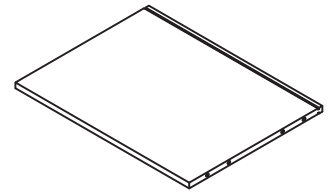
①

MAIN PANEL



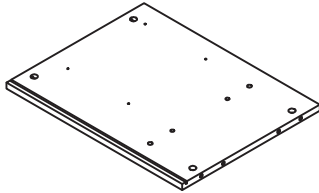
②

BOTTOM



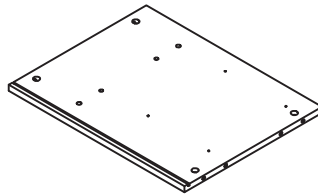
③

LAYER BOARD



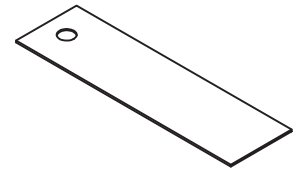
④

LEFT SIDE PANEL



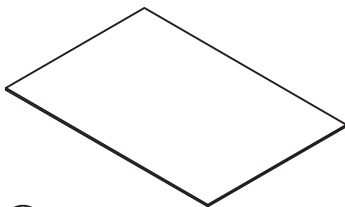
⑤

RIGHT SIDE PANEL



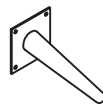
⑥

BACK PANEL



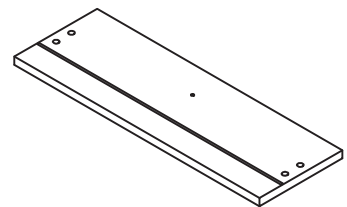
⑦

BACK PANEL



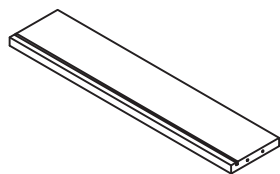
⑧

FOOT  
QTY:4



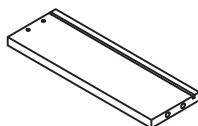
⑨

DRAWER FRONT  
QTY:2



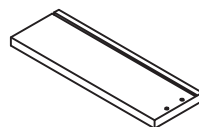
⑩

DRAWER BACK  
QTY:2



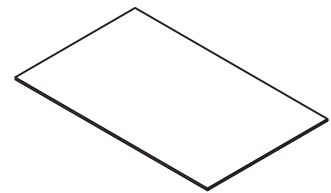
⑪

DRAWER LEFT  
QTY:2



⑫

DRAWER RIGHT  
QTY:2

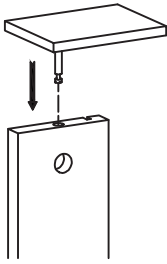


⑬

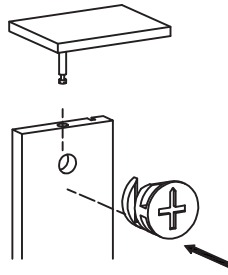
DRAWER BOTTOM  
QTY:2

# 4

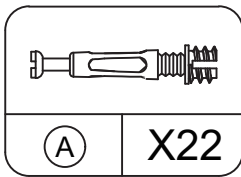
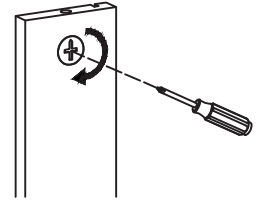
1



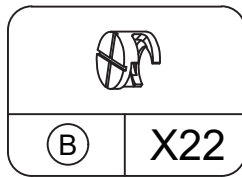
2



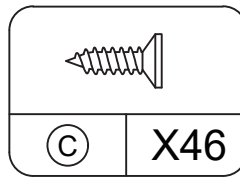
3



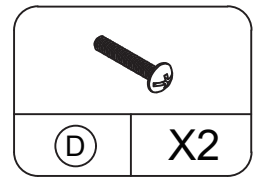
CAM BOLT  
F7\*31



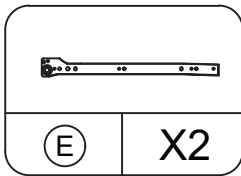
CAM LOCK  
F15\*11



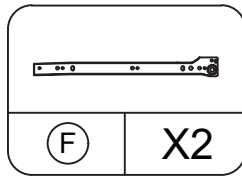
SCREW  
F3.5\*14



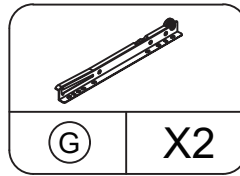
SCREW  
F4\*18



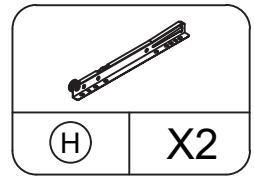
LEFT OUTER  
TRACK  
F20\*300



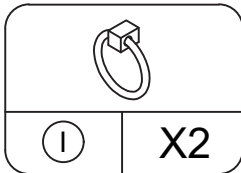
RIGHT OUTER  
TRACK  
F20\*300



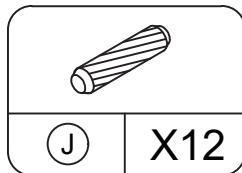
LEFT INNER  
TRACK  
F20\*300



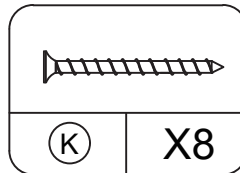
RIGHT INNER  
TRACK  
F20\*300



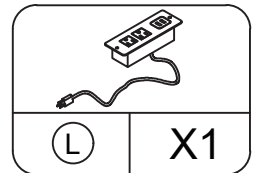
HANDLE



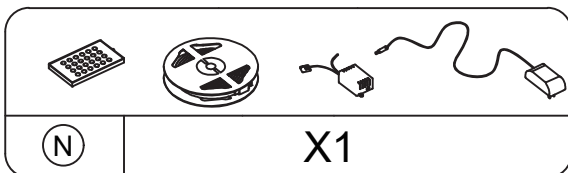
WOOD DOWEL  
F8\*30



SCREW  
F4\*35



SOCKET

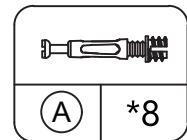
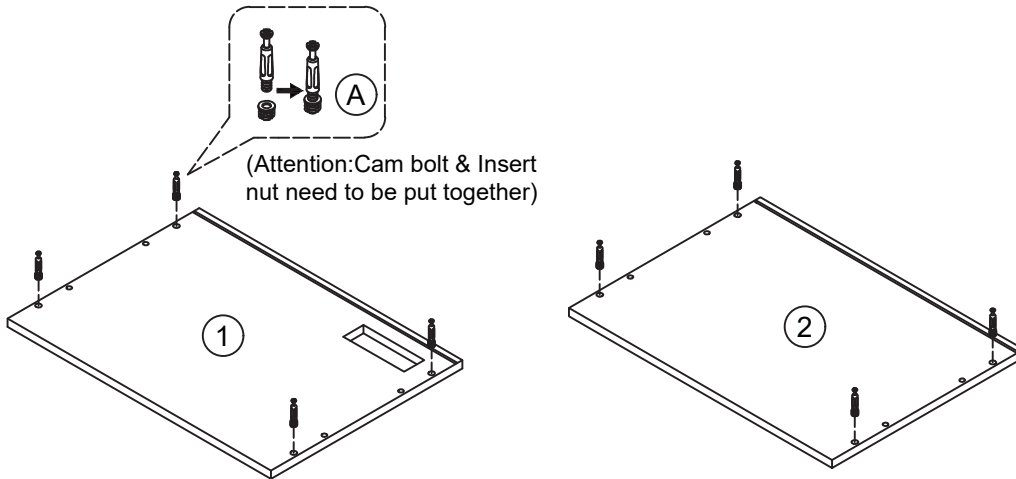


LIGHT STRIP

# 5

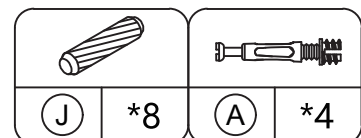
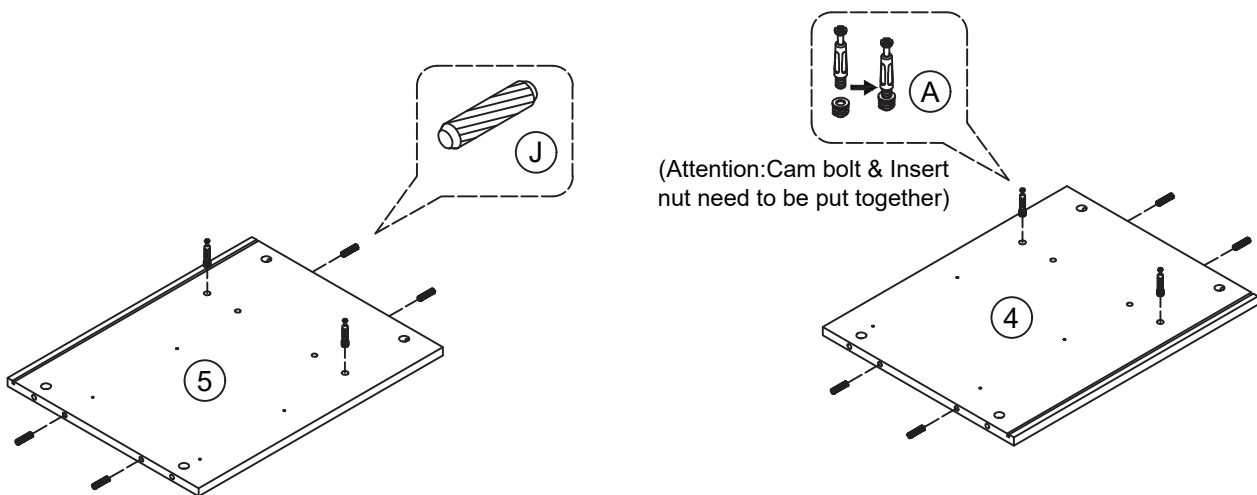
## STEP 1

-Screw the cam bolt (A) into the panel (1) & (2).



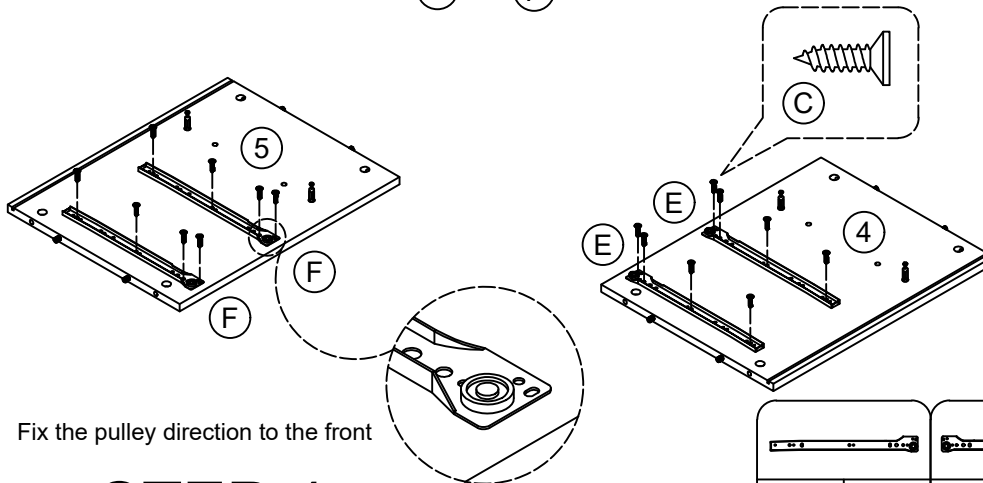
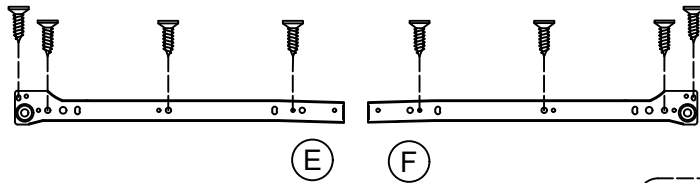
## STEP 2

-Screw the cam bolt (A) into the panel (4) & (5).  
-Insert wooden dowels (J) into the panel (4) & (5).

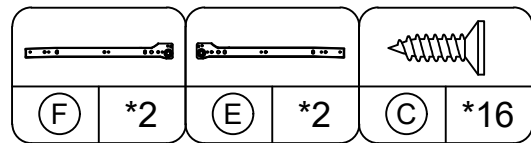


## STEP 3

-Install drawer track (E) & (F) to panel (4) & (5) with screws(C).

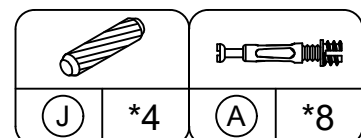
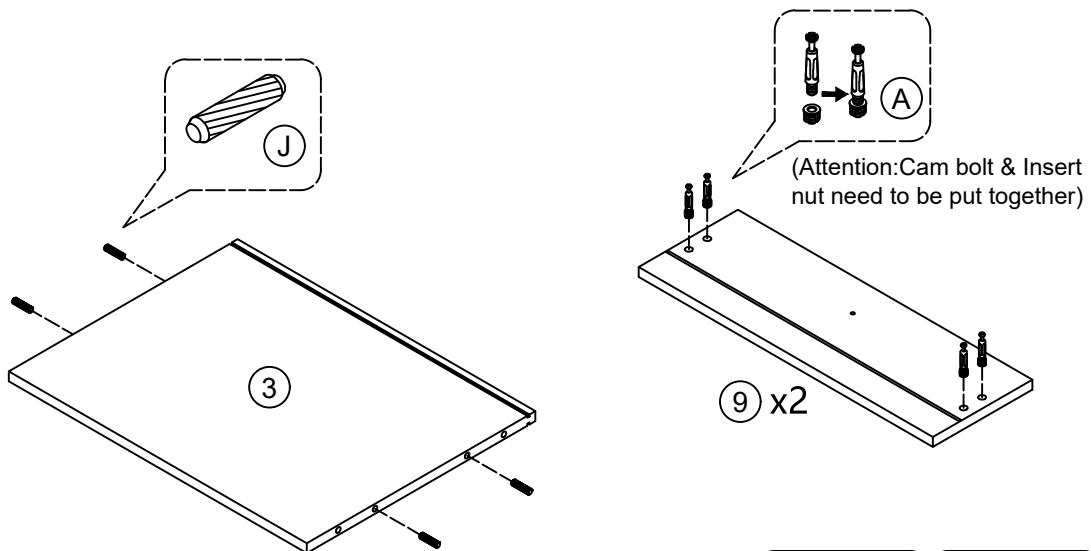


Fix the pulley direction to the front



## STEP 4

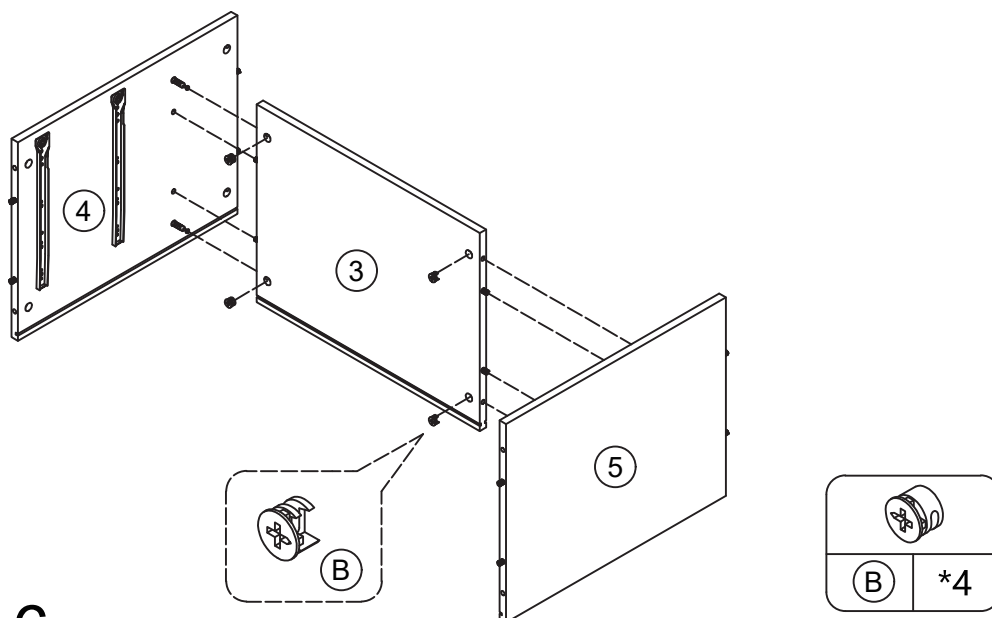
-Screw the cam bolt (A) into the panel (9).  
-Insert wooden dowels (J) into the panel (3).



7

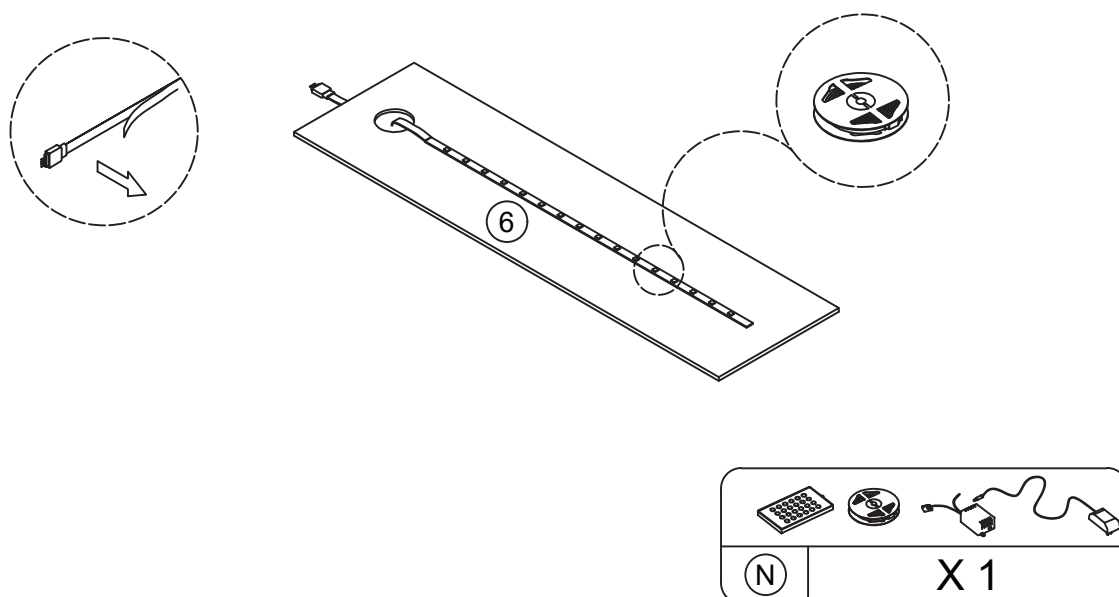
## STEP 5

-Attach panel (4) & (5) to (3) and lock with cam (B).



## STEP 6

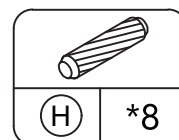
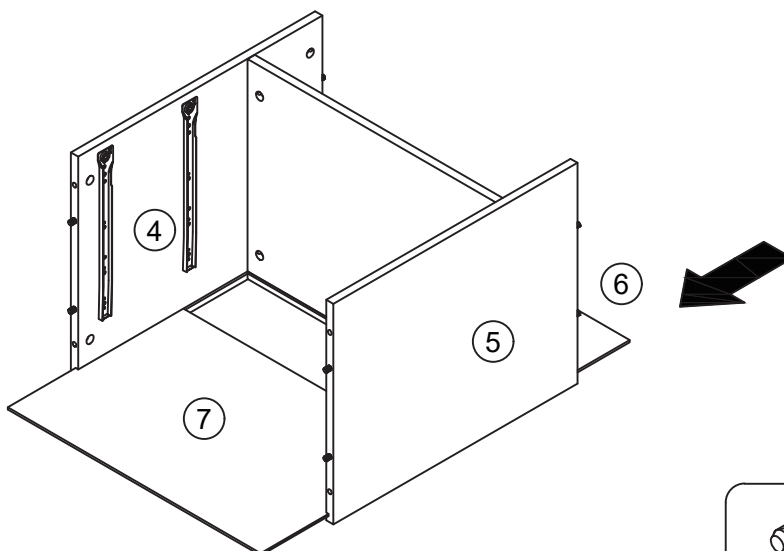
-Fasten the LED band with buckles.



8

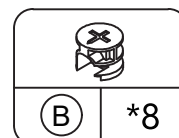
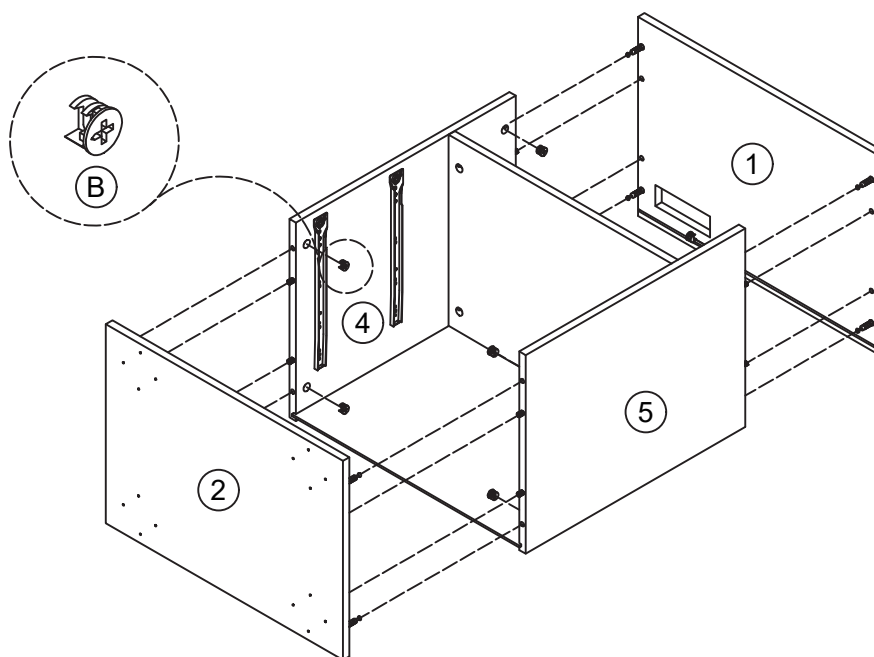
## STEP 7

-Insert panel (6) & (7) into the grooves.



## STEP 8

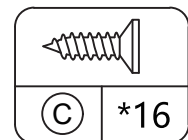
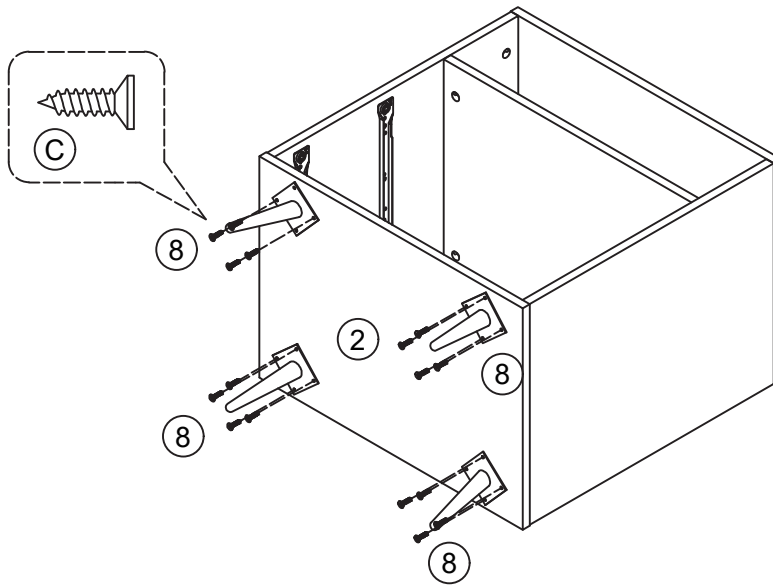
-Attach panel (1) & (2) to (4) & (5) and lock with cam (B).



9

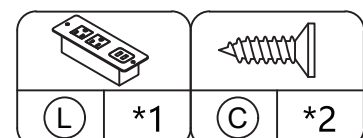
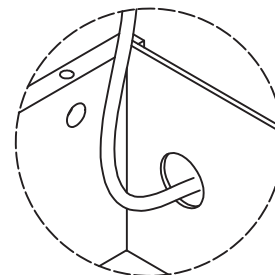
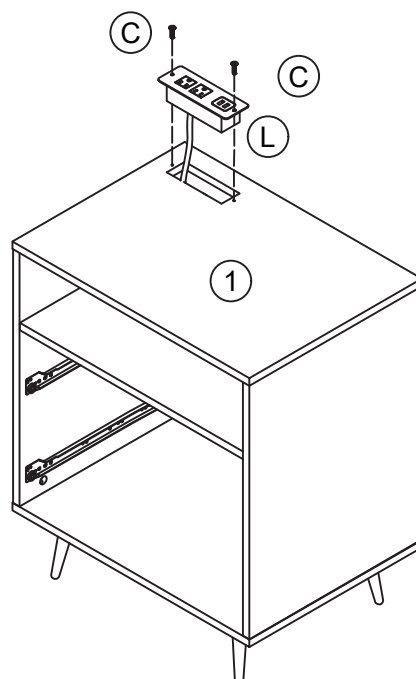
## STEP 9

-Attach foot (8) to panel (2) with screws(C).



## STEP 10

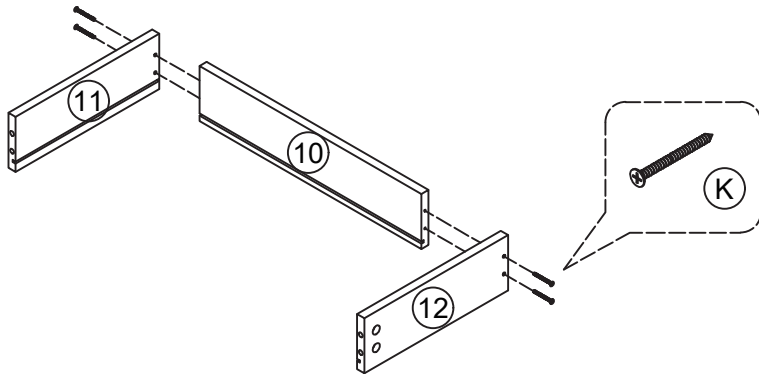
-Attach socket (L) to panel (1) with screws (C).



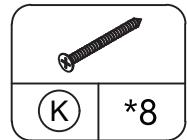
# 10

## STEP 11

-Attach panel (11) & (12) to (10) with screw (K).

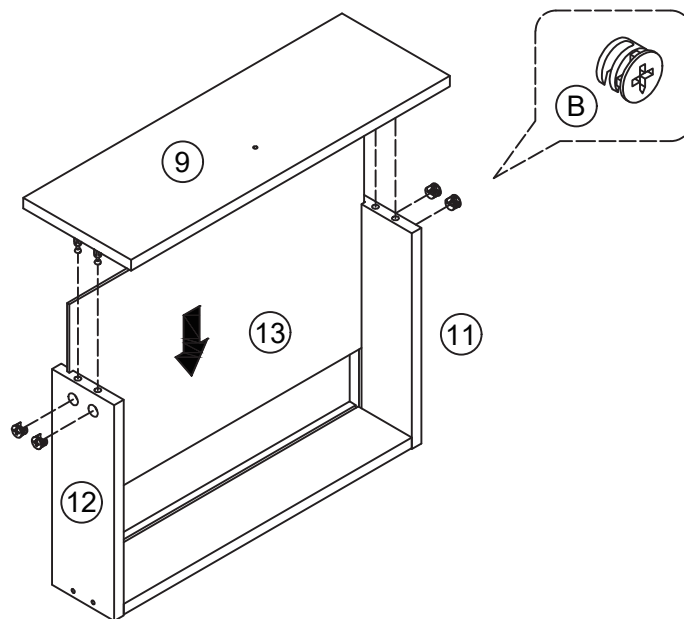


# X2

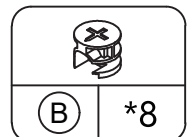


## STEP 12

- Insert panel (13) into the grooves.
- Attach panel (9) to (11) & (12) with cam locks (B).

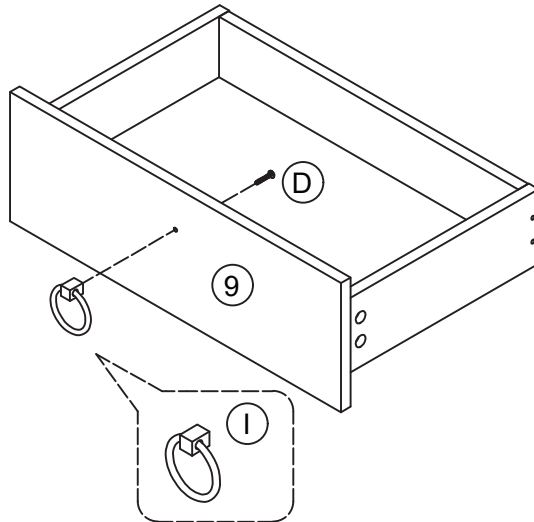


# X2

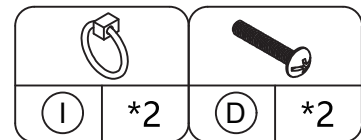


## STEP 13

- Install handle (I) to panel (9) with bolts (D).

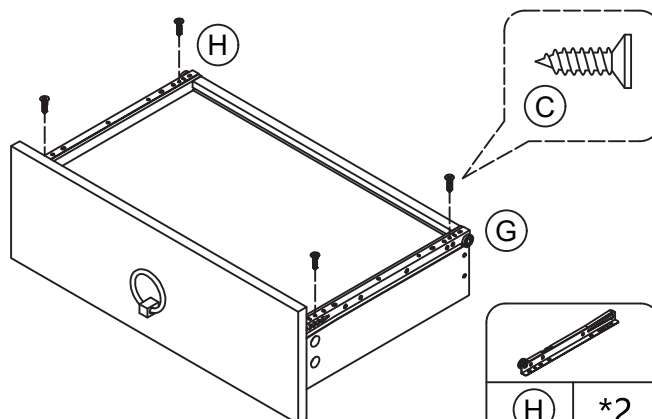
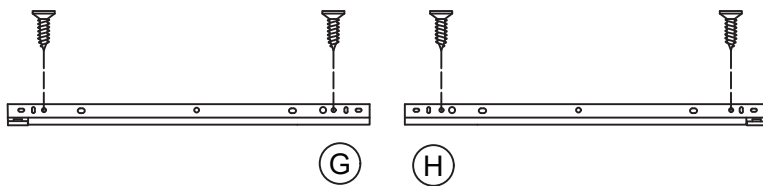


# X2

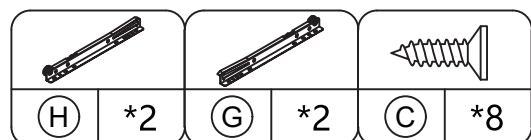


## STEP 14

- Install drawer track (G) & (H) to panel (11) & (12) with screws (C).



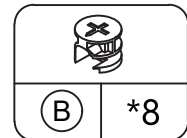
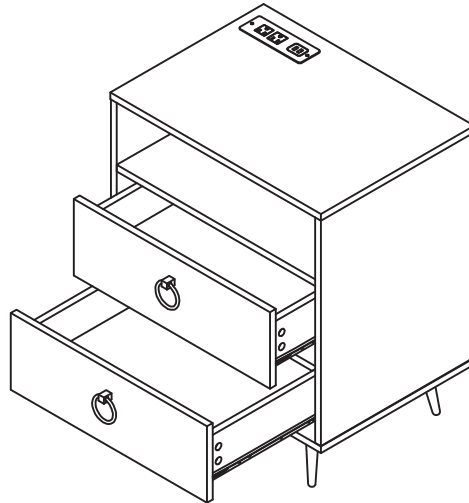
# X2



## STEP 15

- Insert the drawers.

---



## STEP 16

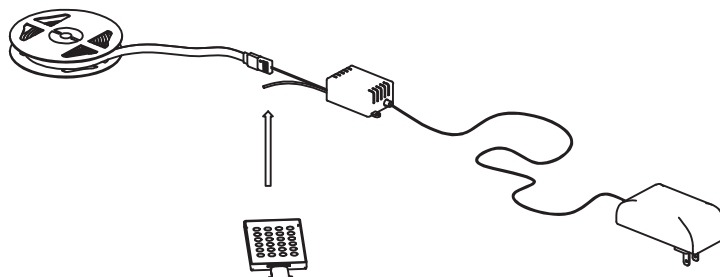


-Connected pin of LED and power adapter to the RGB control box as below.

-Remove the battery protection pad from remote controller; Align remote controller to the RGB Control box to adjust the color mode; Specifications of battery: cr2025 3v

-LED lamp with effective remote control distance of 5 meters

---



13

## STEP 17

-Installation complete.

---

