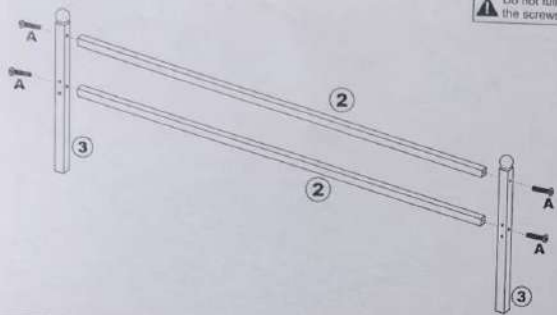


INSTALLATION INSTRUCTIONS

STEP 1

INSTALLATION INSTRUCTIONS

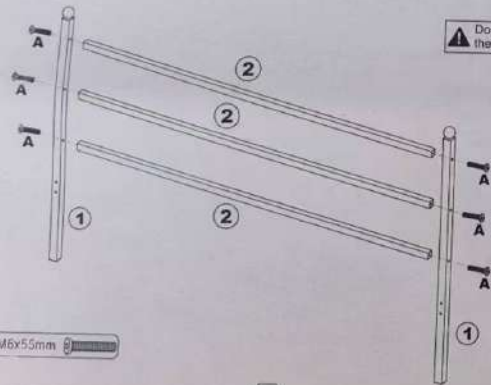
⚠ Do not fully tighten the screws yet.



A x4 M6x55mm

STEP 2

⚠ Do not fully tighten the screws yet.



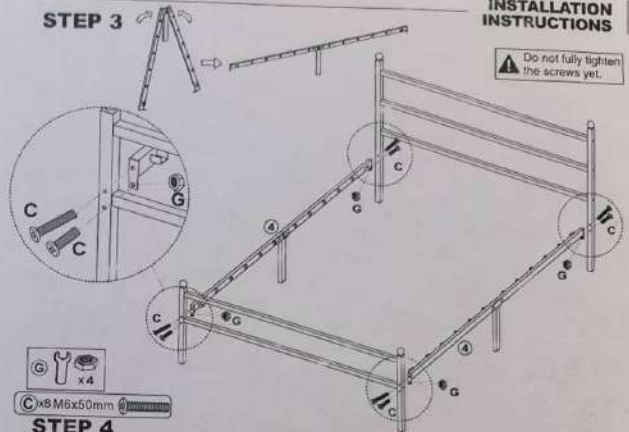
A x6 M6x55mm

1

STEP 3

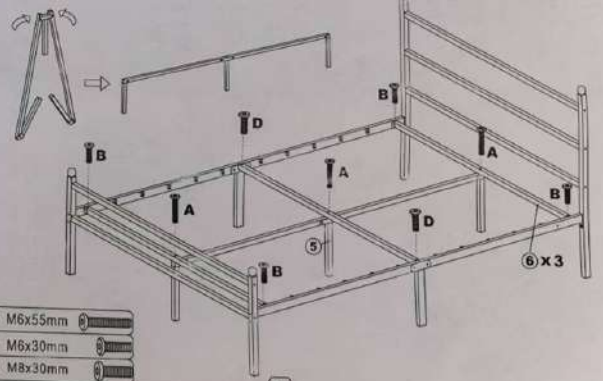
INSTALLATION INSTRUCTIONS

⚠ Do not fully tighten the screws yet.



C x8 M6x50mm
G x4

STEP 4

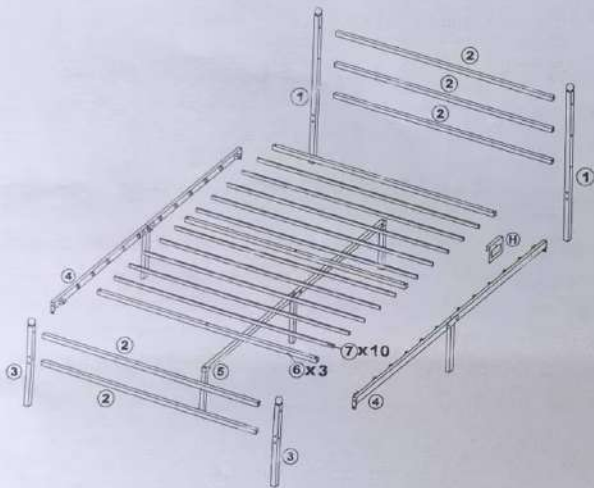


A x3 M6x55mm
B x4 M6x30mm
D x2 M8x30mm

2

INSTALLATION INSTRUCTIONS

EXPLODED



INSTALLATION INSTRUCTION

STEP 1

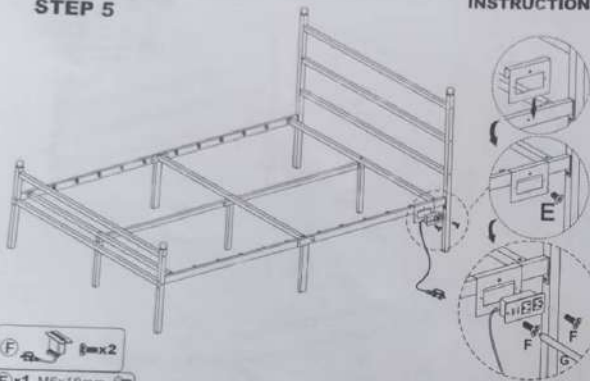
Accessories list

① x2 	② x5
③ x2 	④ x2
⑤ x1 	⑥ x3
⑦ x10 	
A x13 	B x4
C x8 	D x2
E x1 	F x1
G x1 	H x1

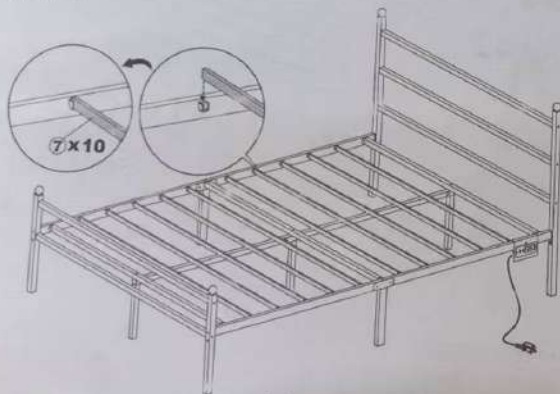
* In many cases, we include additional hardware. So after following the assembly instructions, don't worry if there are still extra pieces left over—they're included as a "just in case" for your convenience.

STEP 5

INSTALLATION INSTRUCTIONS



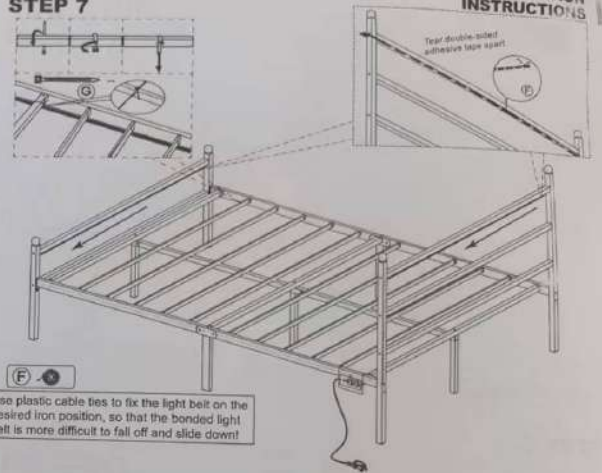
STEP 6



3

STEP 7

INSTALLATION INSTRUCTIONS



Use plastic cable ties to fix the light belt on the desired iron position, so that the bonded light belt is more difficult to fall off and slide down!

After all the installation steps are completed, fine-tune every detail to the best reasonable comfort level. Please tighten all the screws before use! After using it for a period of time, check if the screws at all connection points are loose and tighten them to reinforce. This will ensure the product is in its best condition!

4