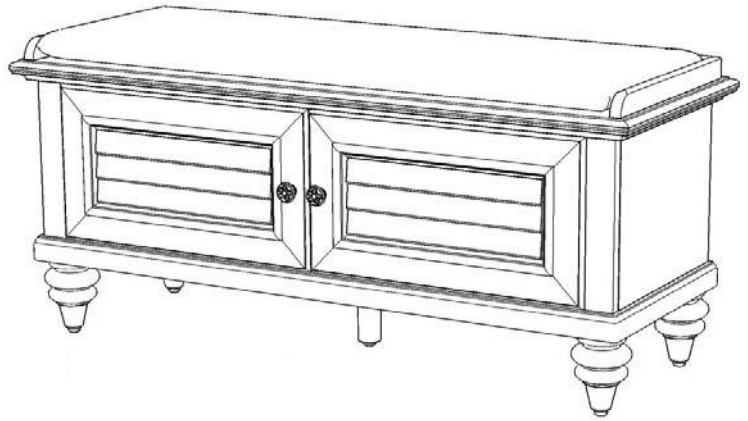


Upholstered Bench

IMPORTANT NOTE

Carefully remove all the parts from the carton and put them individually on a soft cloth to prevent scratches or other damages occurring to the parts.

We have taken great care in the design of this product and request that you carefully and strictly follow our assembly instructions to ensure a completed product as it was designed.



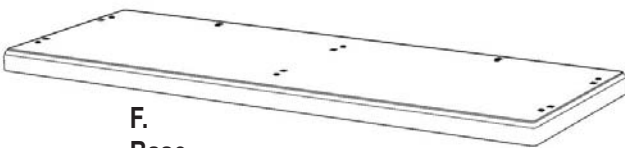
Part List



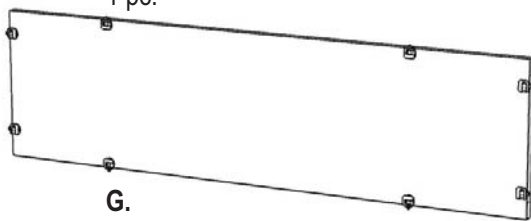
A.
Cushion
1 pc.



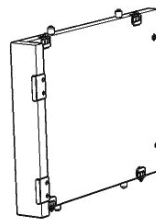
B.
Top
1 pc.



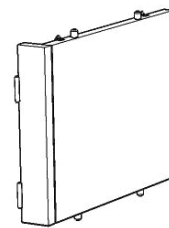
F.
Base
1 pc.



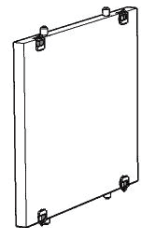
G.
Back Panel
1 pc.



C.
Side Panel
1 pc.



D.
Side Panel
1 pc.



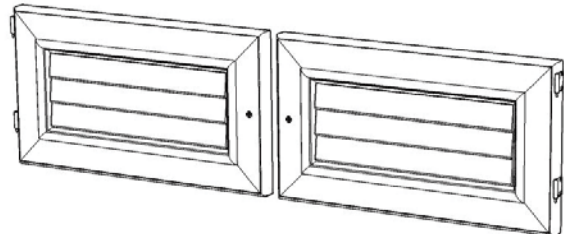
E.
Middle Panel
1 pc.



H.
Leg
4 pcs.



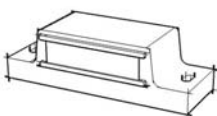
I.
Leg
1 pc.



J.
Door
1 pc.

K.
Door
1 pc.

Hardware List



Magnet
2 pcs.



**M3x15
Wood Screw**
4 pcs.(+1 extra)



**M4x32
Machine Screw**
2 pcs.



Pull Handle
2 pcs.

Tools required for assembly : **Phillips** screwdriver

Tools recommended for assembly : Level

Assembly Instructions 2/3

IMPORTANT

- * Do not tighten up all the screws until each part is properly assembled.
- * Use a soft cloth between these parts and the floor.
- * After assembly, item must be level to work properly.
- Use the included adjustable levelers to level.

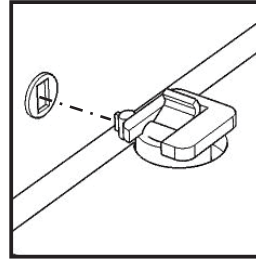


Figure 1

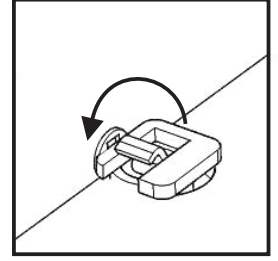
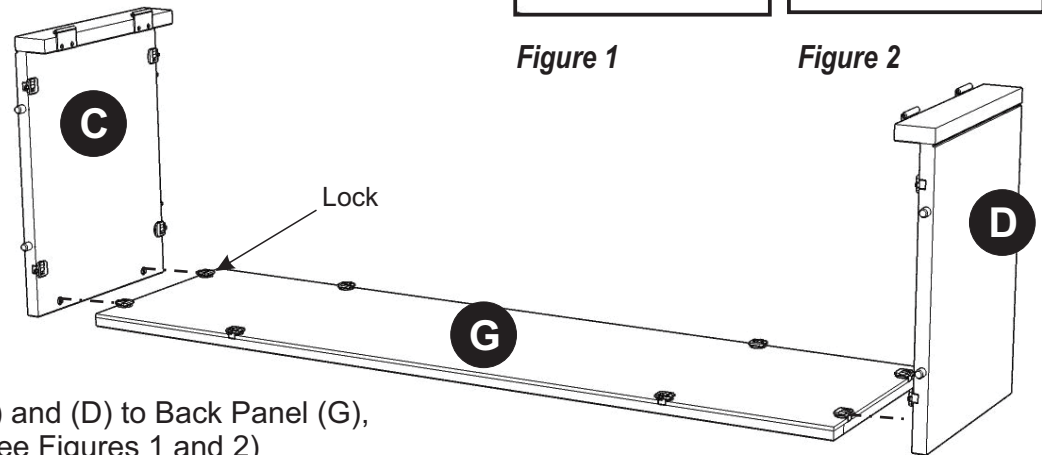


Figure 2

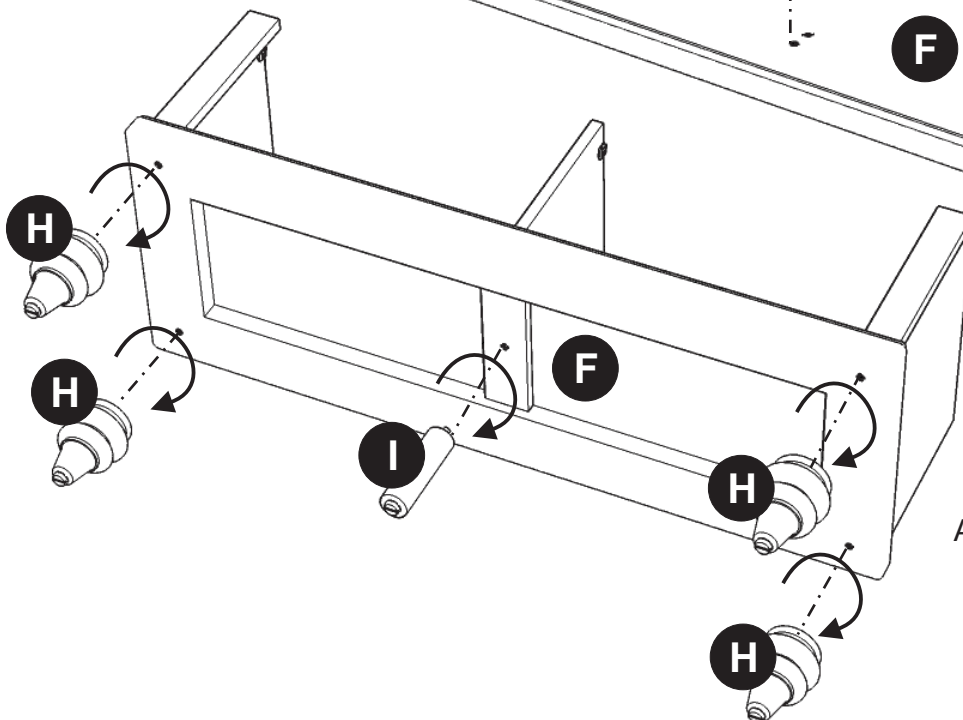
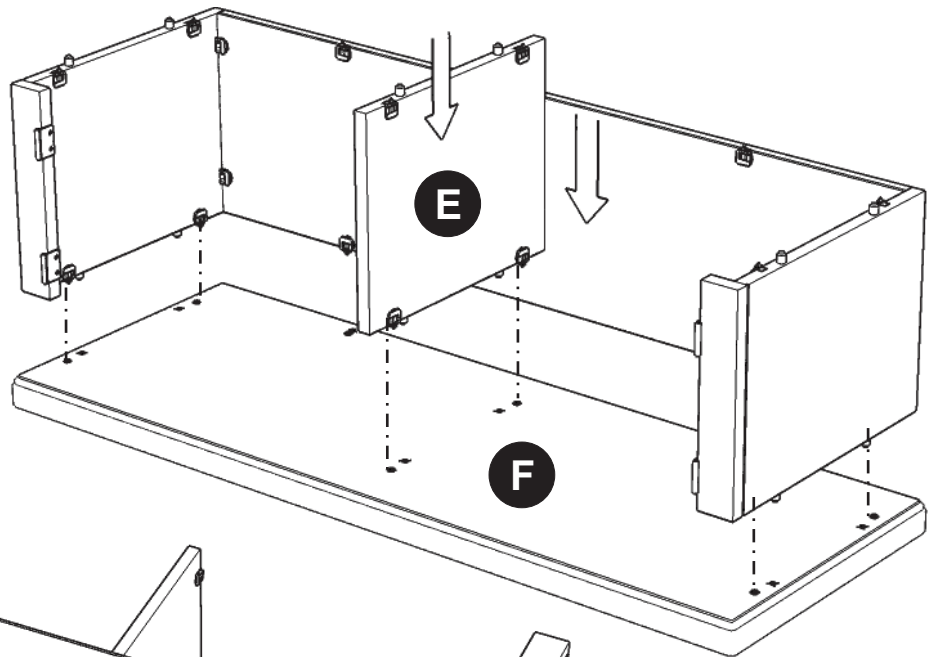
STEP 1



Attach Side Panels (C) and (D) to Back Panel (G), then flip the Locks. (See Figures 1 and 2)

STEP 2

Attach unit and Middle Panel (E) to Base (F) and flip the Locks.



STEP 3

Attach Legs (H) and (I) to unit at the pre-drilled holes in Base (F) and tighten.

Assembly Instructions 3/3

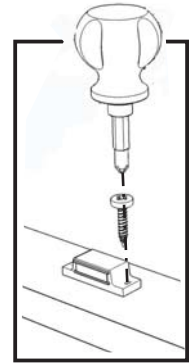
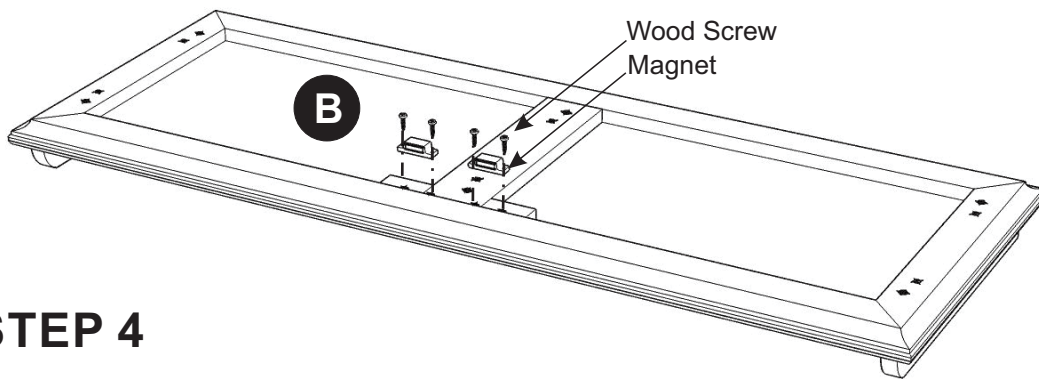


Figure 3

STEP 4

Attach Magnets to Top (B) at the pre-drilled holes with Wood Screws.
(See Figure 3)

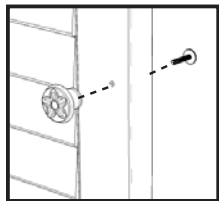


Figure 4

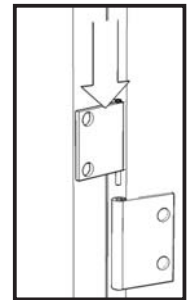
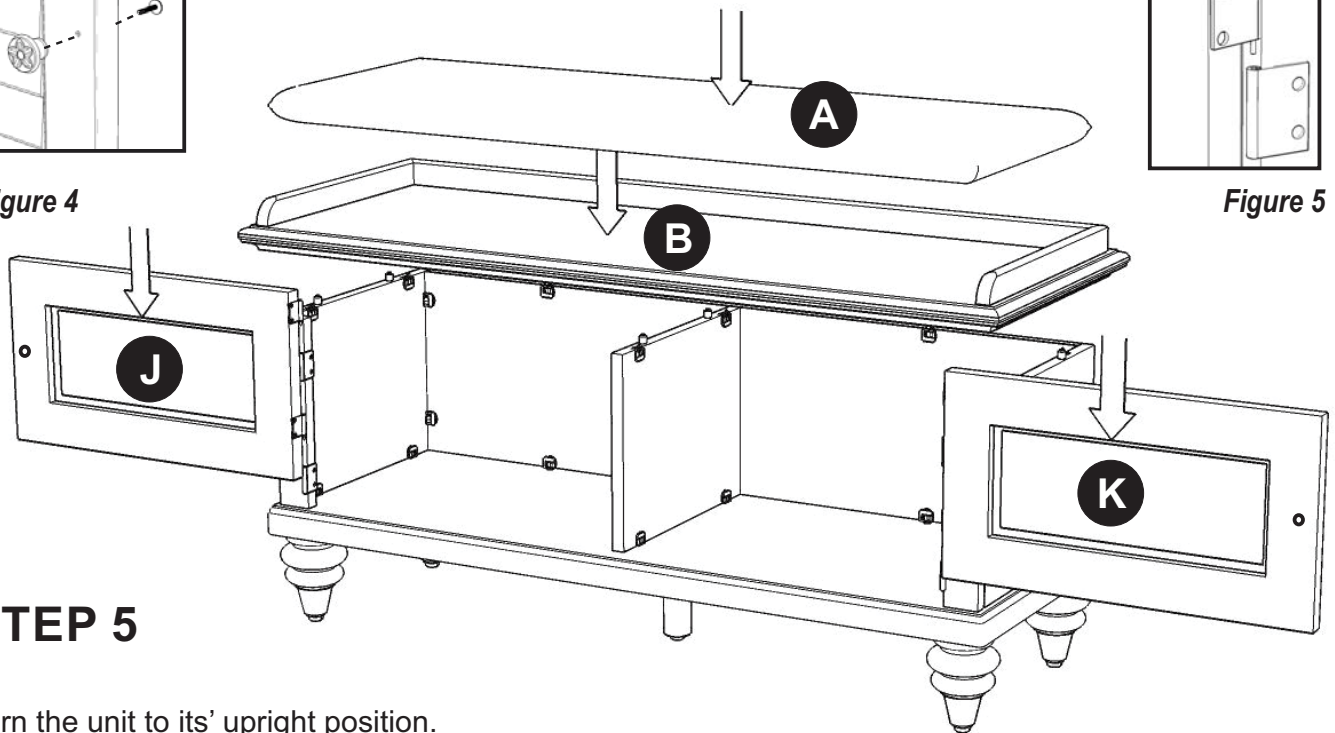


Figure 5



STEP 5

Turn the unit to its' upright position.

Assemble Pull Handles to Doors (J) and (K) with Machine Screws. (See Figure 4)

Attach Doors (J) and (K) by sliding the door lift hinges into side panels lift hinges. (See Figure 5)

Attach Top (B) to unit and flip the Locks.

Place Cushion (A) into position.

STEP 6

To level the unit, adjust the adjustable levelers on the bottom of the legs. (See Figure 6)

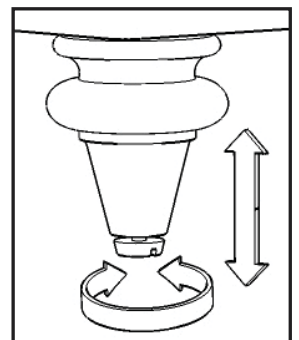


Figure 6