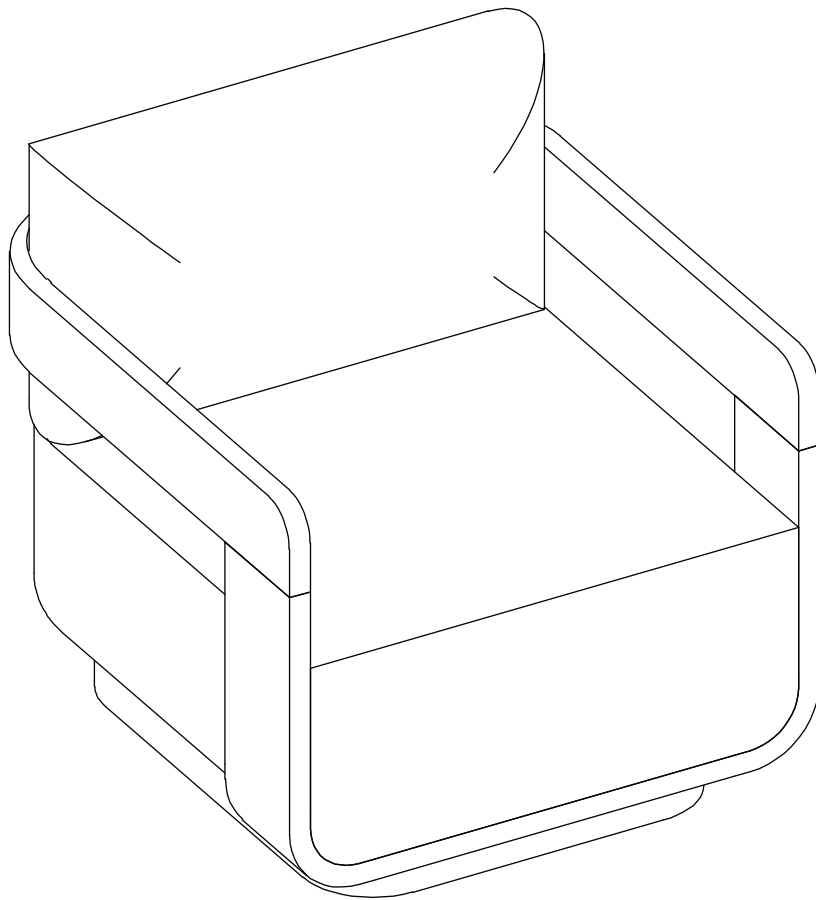


LEILANI TEAK PATIO CHAIR

DESIGN # CPT1081

Assembly Instructions



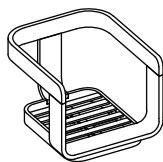
SAFAVIEH
C O U T U R E

Thanks for bringing Safavieh Couture into Your home

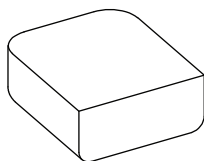
Every thing we make is incredibly simple to set up, including your new chair. You won't need any additional tools.

Parts List

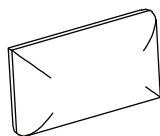
A x 1
Chair Frame



CSH1 x 1
Seat Cushion



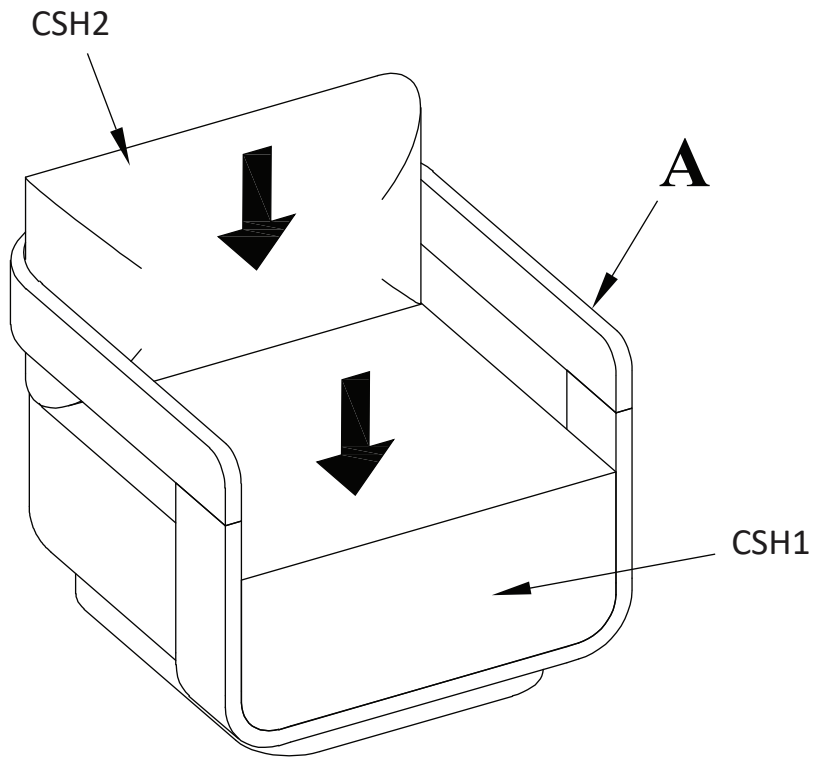
CSH2 x 1
Back Cushion



Hardware List

1

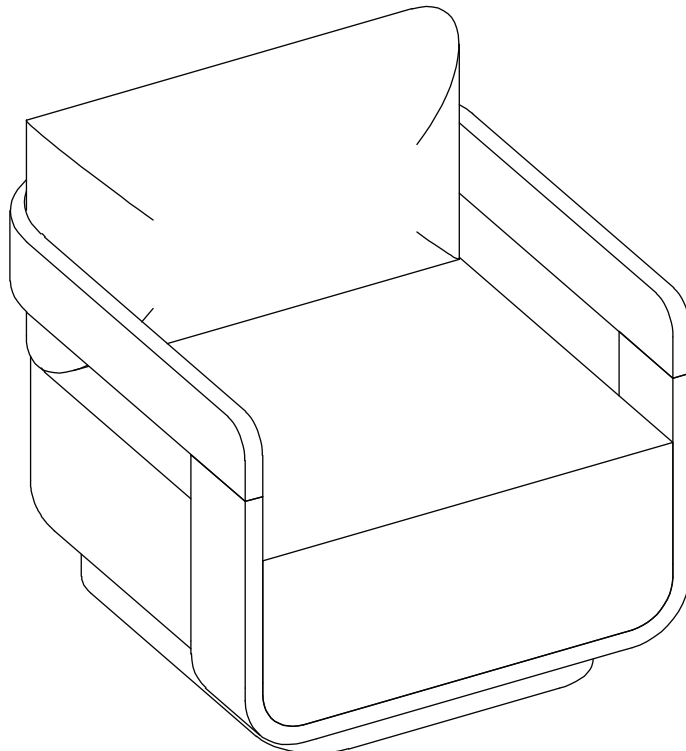
Place the Seat Cushion (CSH1) and Back Cushion (CSH2) on the Chair Frame (A).



2

Place the chair in the place where you will use it. We'd love to see it – just tag us (we're @safavieh) and use the hashtag #safavieh on Instagram!

@safavieh



Need help?

Feel free to contact us via email or call
If you have any specific question!

Contact us:

CS@safavieh.com
866-422-9070