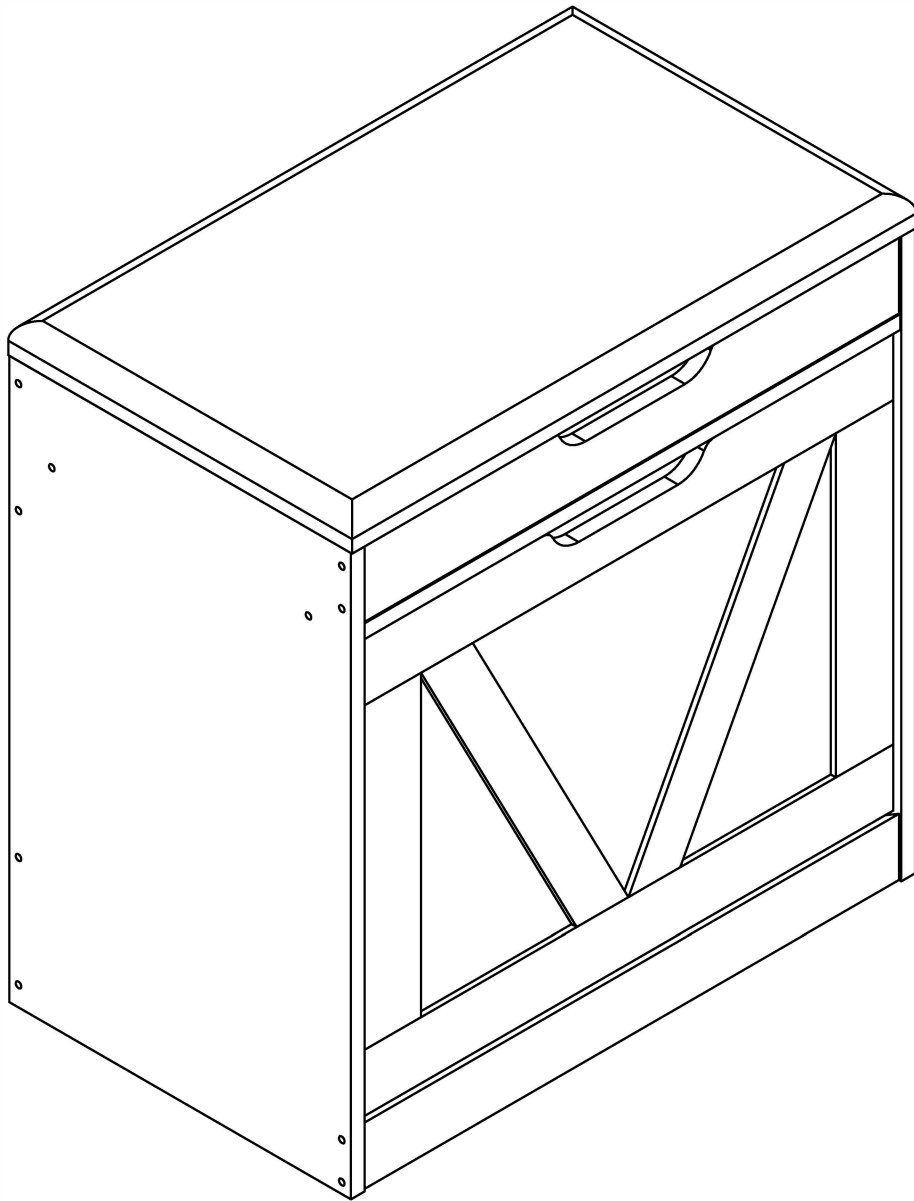


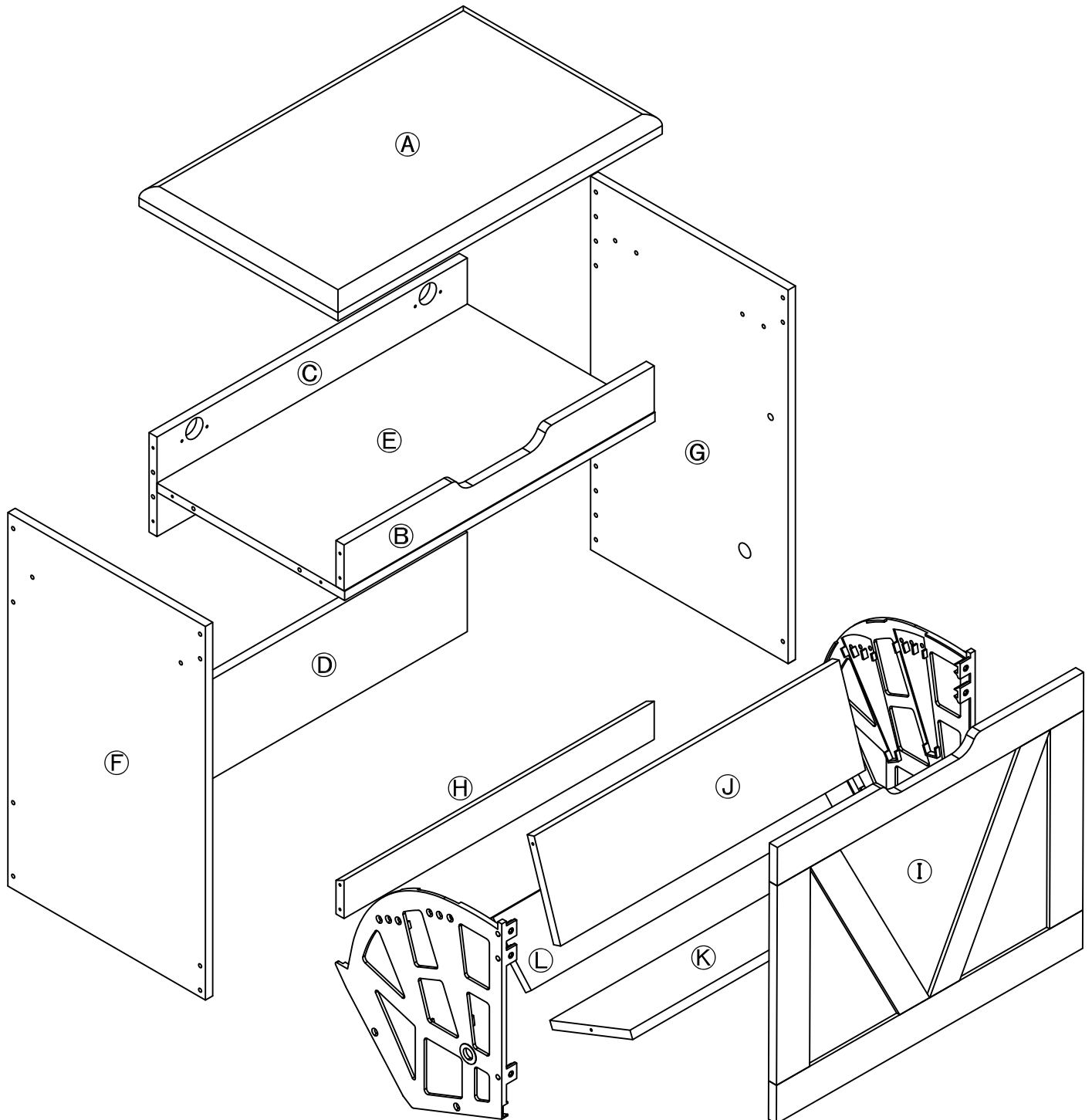
Shoe Cabinet INSTRUCTION



Part of the steps suggest
two people install

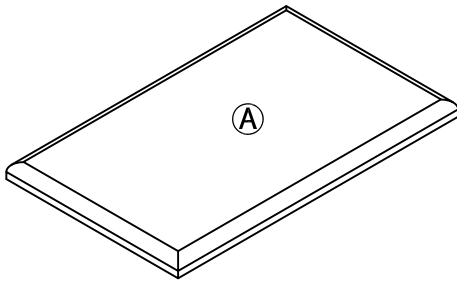
Main Components

Please check you have all the parts listed below

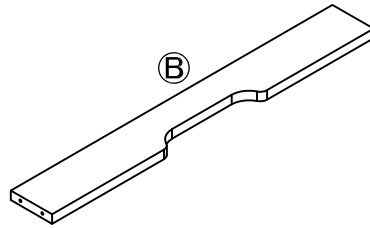


Component Panels & Part List

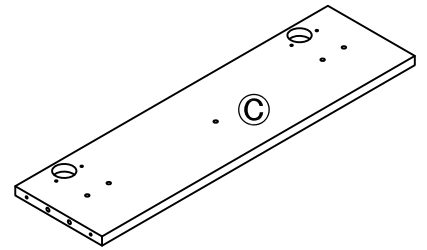
Please check you have all the panels are listed below.



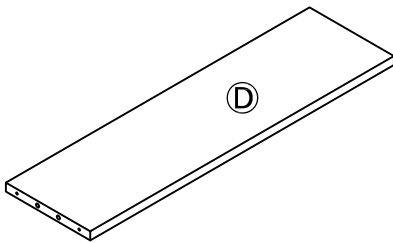
Qty: 1pc



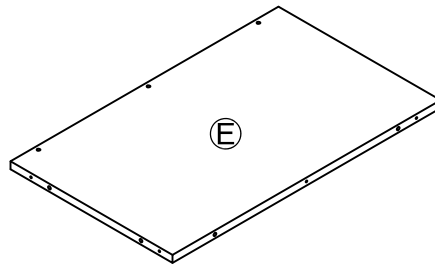
Qty: 1pc



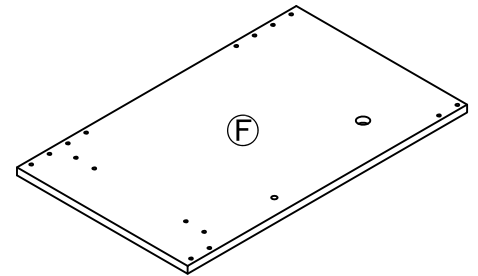
Qty: 1pc



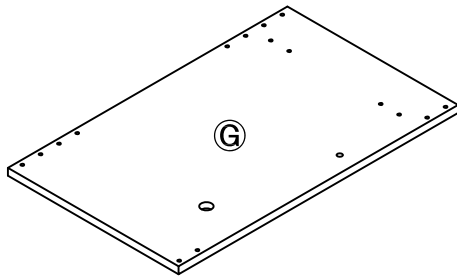
Qty: 1pc



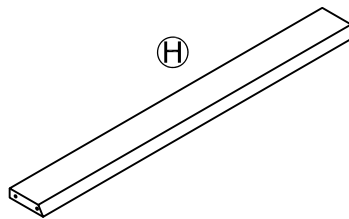
Qty: 1pc



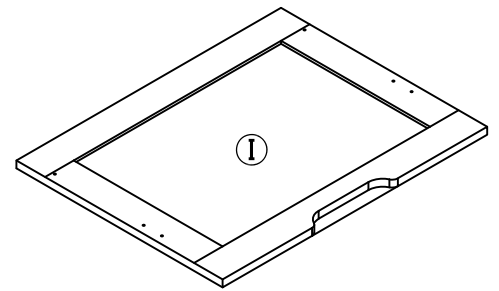
Qty: 1pc



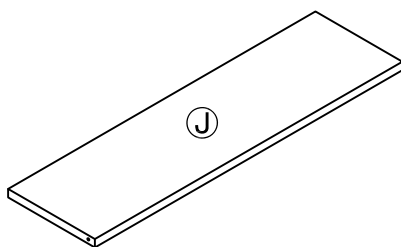
Qty: 1pc



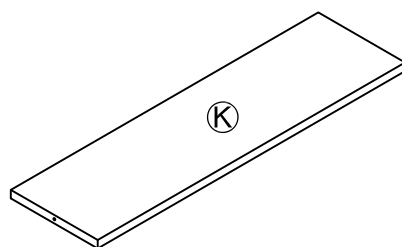
Qty: 1pc



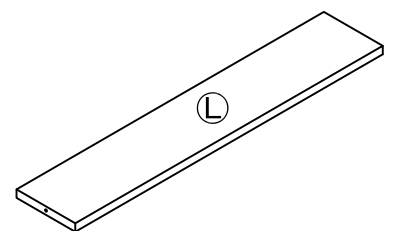
Qty: 1pc



Qty: 1pc



Qty: 1pc

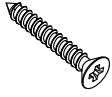


Qty: 1pc

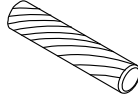
Fixings, Fittings And Tools

Please check all the fittings listed below

Note: The quantities below are the correct amount to complete the assembly. In some case more fittings may be supplied than be required.



① Ø8*Ø4*38mm
26pcs



② Ø5*30mm
16pcs



③ Ø8*Ø4*12mm
12pcs



④ Ø7*Ø4*8mm
2pcs



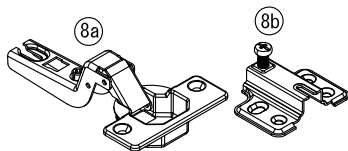
⑤ Ø8*Ø4*14mm
6pcs



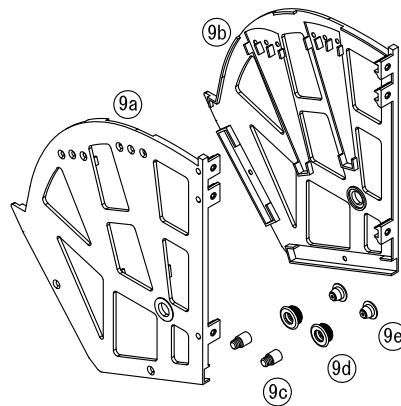
⑥ Ø7*Ø3.5*15mm
6pcs



⑦ Ø12*3.9mm
20+2pcs



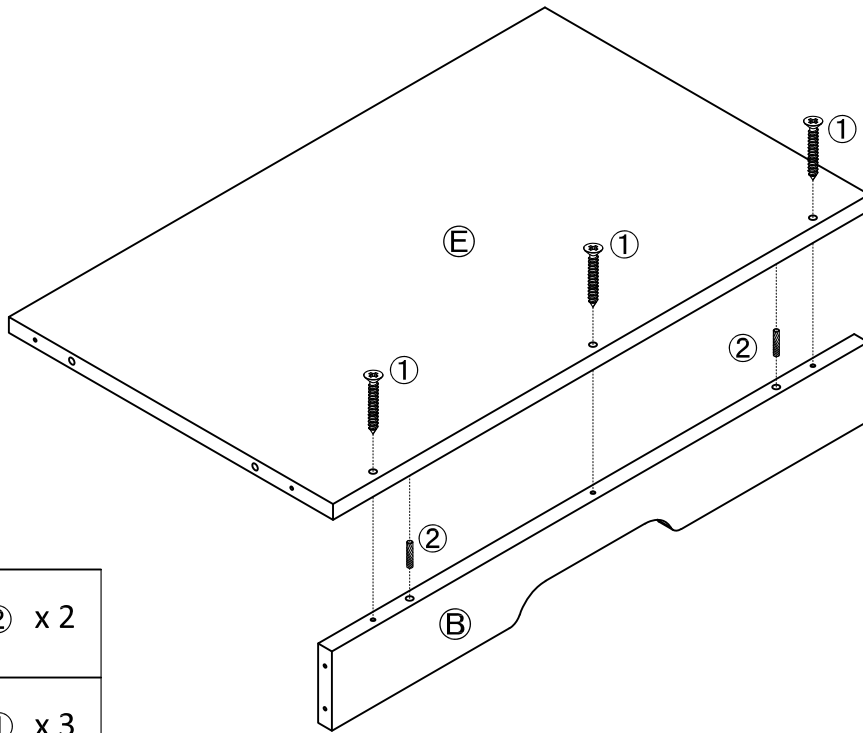
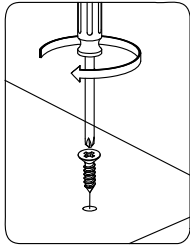
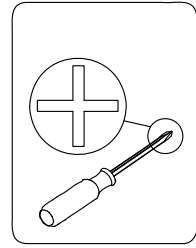
⑧ Ø26mm
2sets



⑨ 302*250*22mm
1set

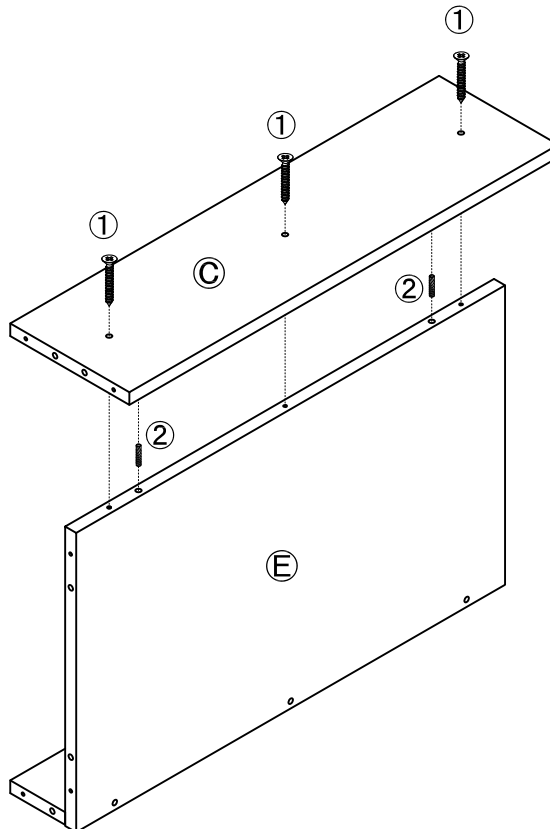
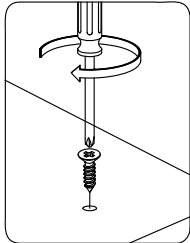
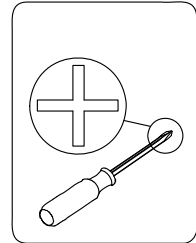
Assembly Step

Step 1



| | |
|--|-------|
| | ② x 2 |
| | ① x 3 |

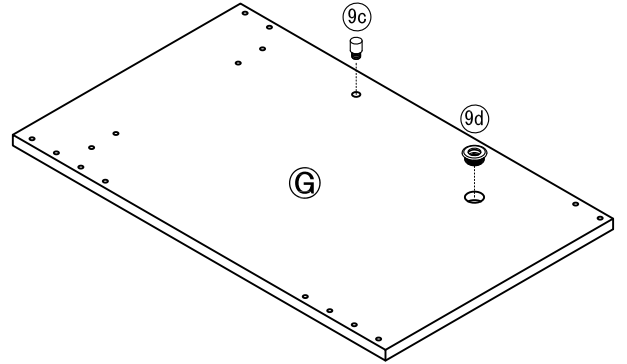
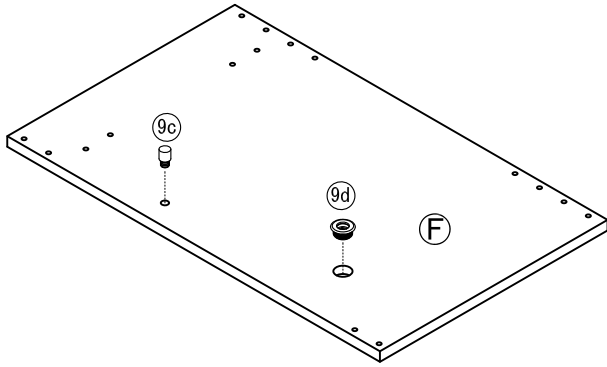
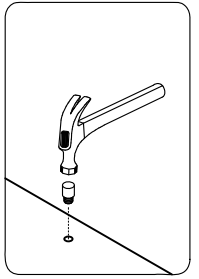
Step 2

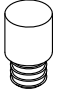



| | |
|--|-------|
| | ② x 2 |
| | ① x 3 |

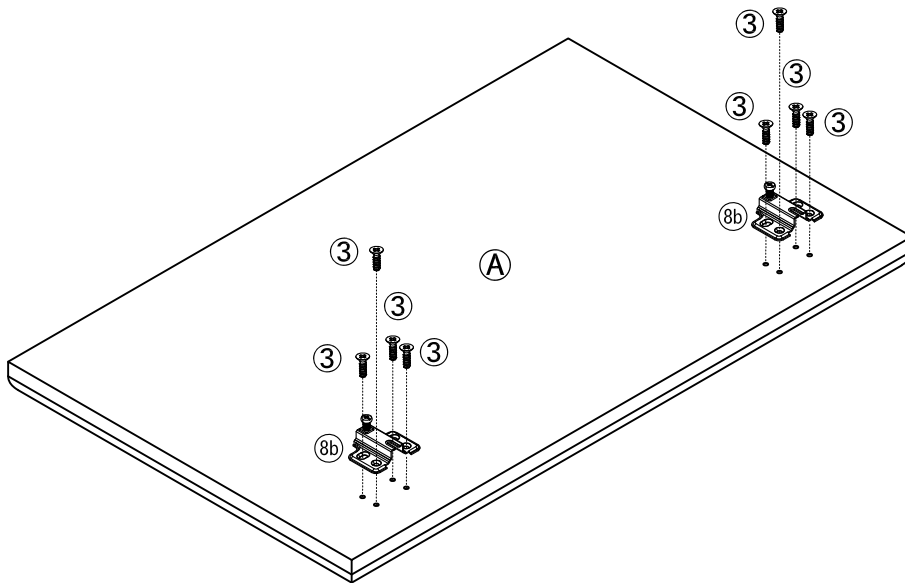
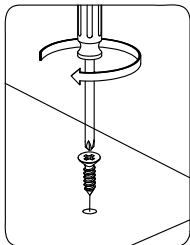
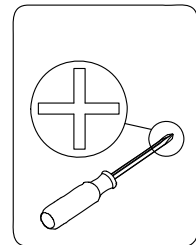
Assembly Step

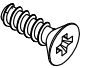
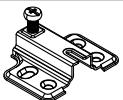
Step 3



| | |
|---|--------|
|  | ⑨c x 2 |
|  | ⑨d x 2 |

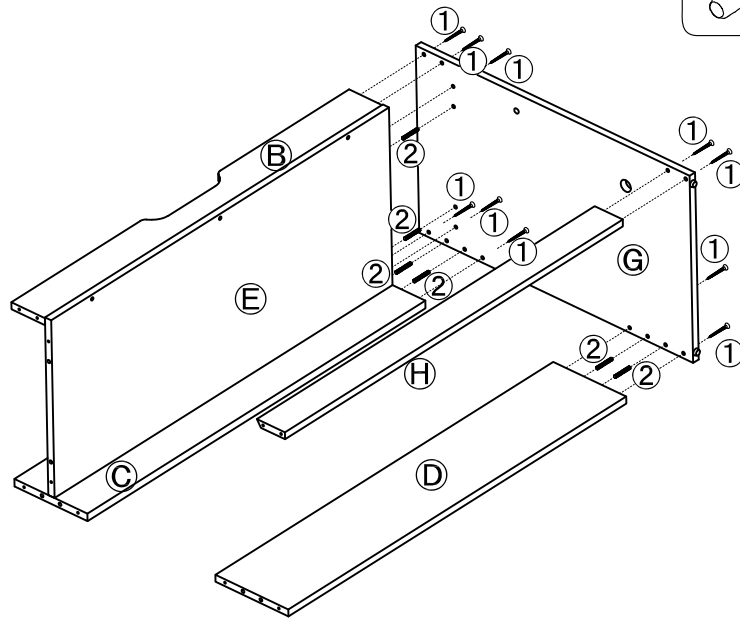
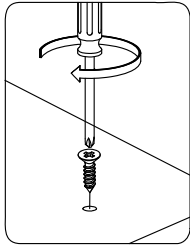
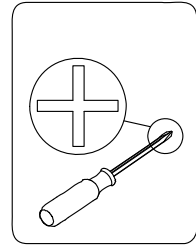
Step 4

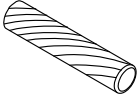



| | |
|--|--------|
|  | ③ x 8 |
|  | ⑧b x 2 |

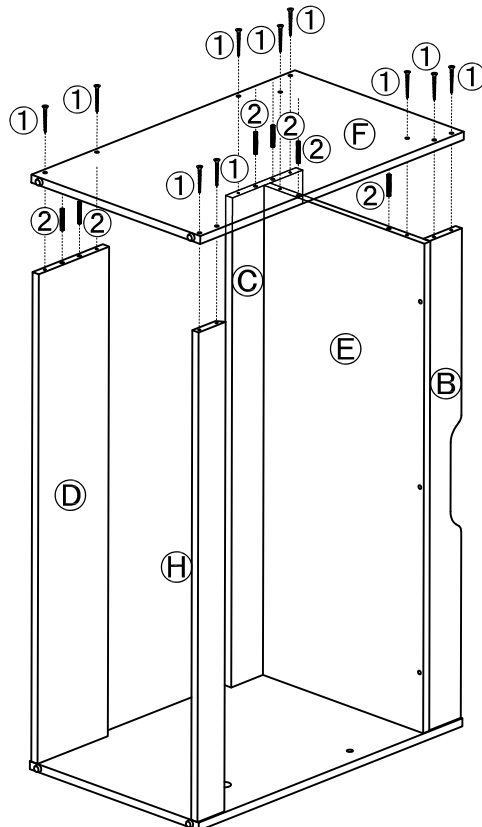
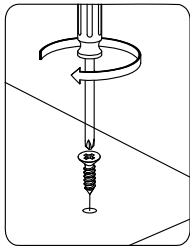
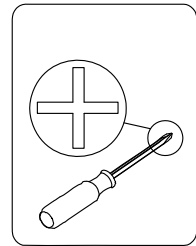
Assembly Step


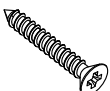
Step 5



| | |
|--|-------|
|  | ② x 6 |
|  | ① x10 |

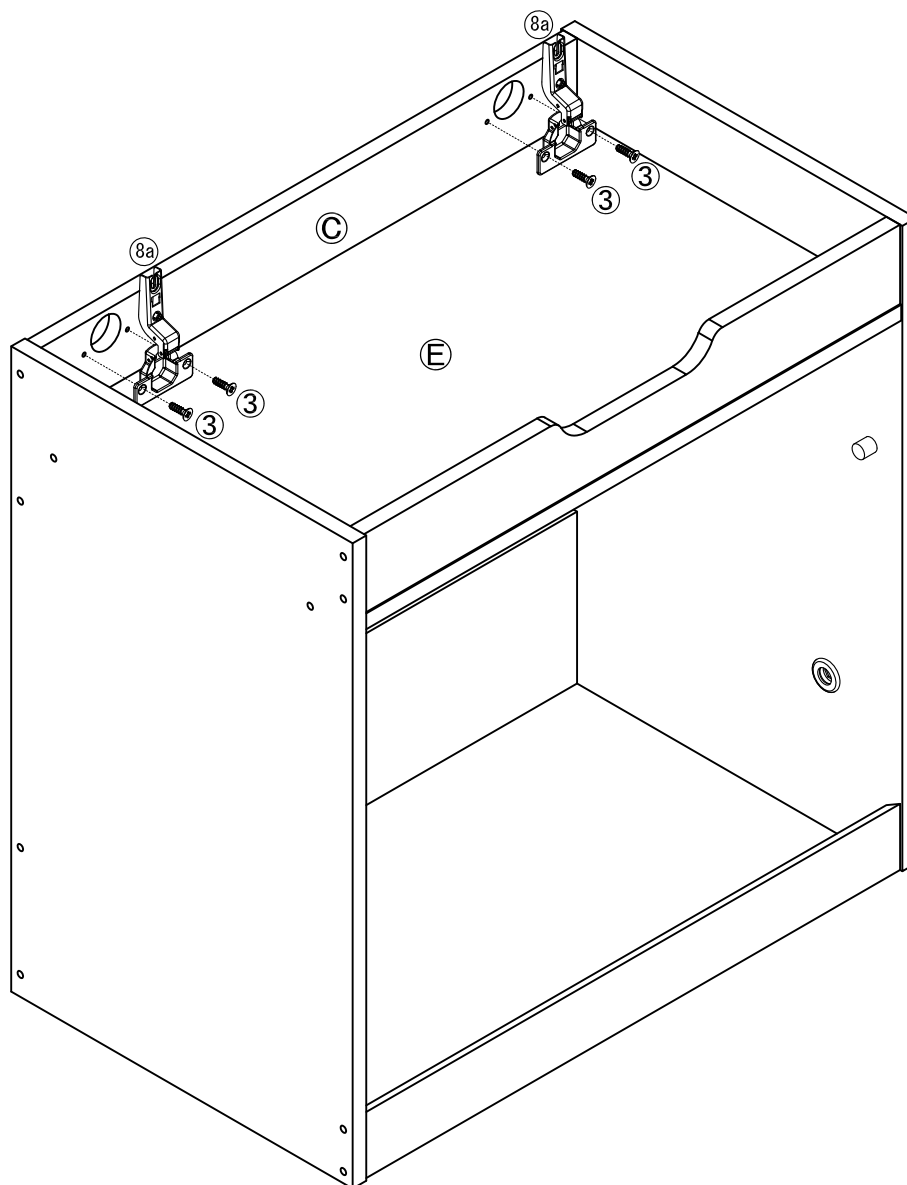
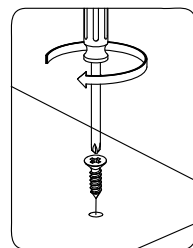
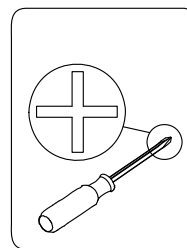
Step 6

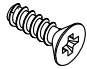



| | |
|--|-------|
|  | ② x 6 |
|  | ① x10 |

Assembly Step

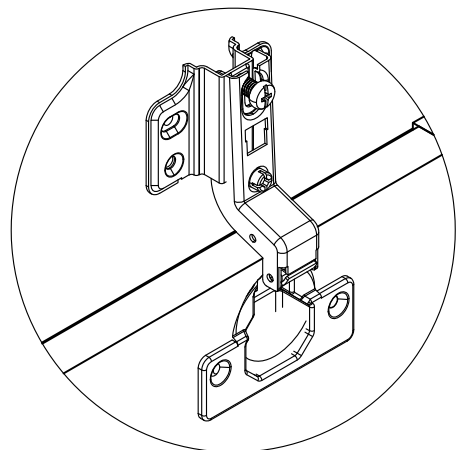
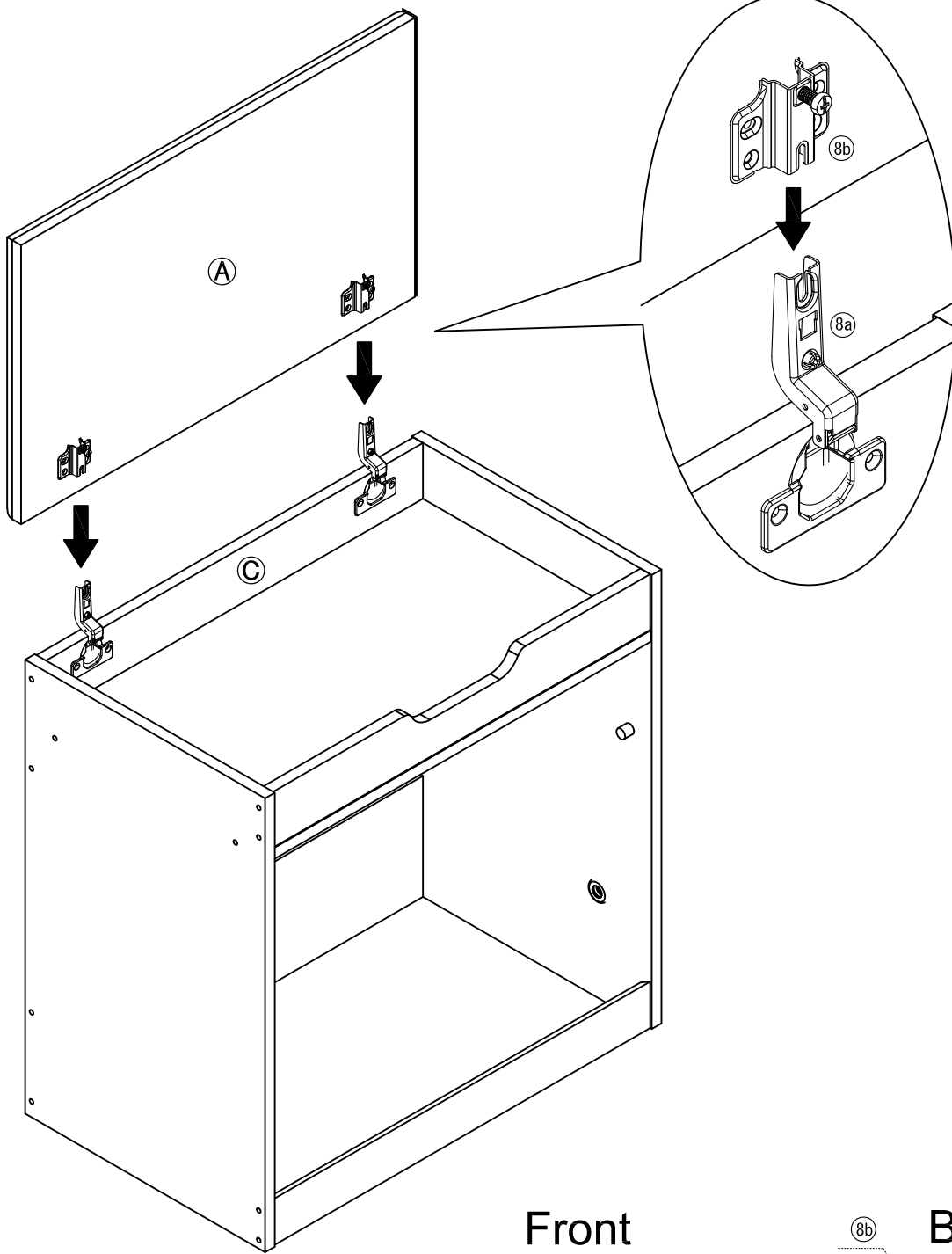
Step 7



| | |
|--|--------|
|  | ③ x 4 |
|  | ⑧a x 2 |

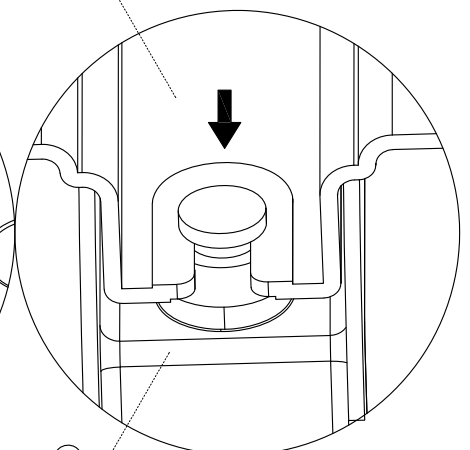
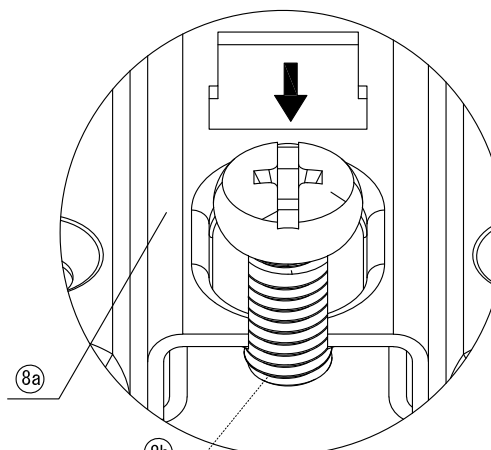
Assembly Step

Step 8

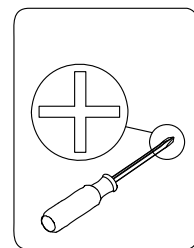


Front

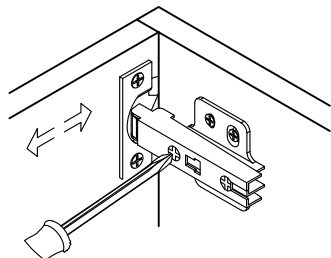
Back



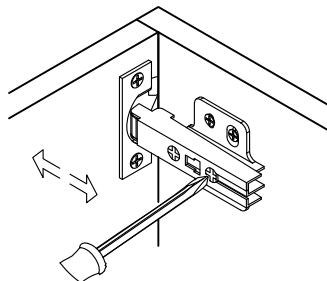
Step 9



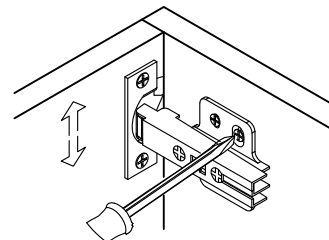
ADJUSTING POSSIBILITIES



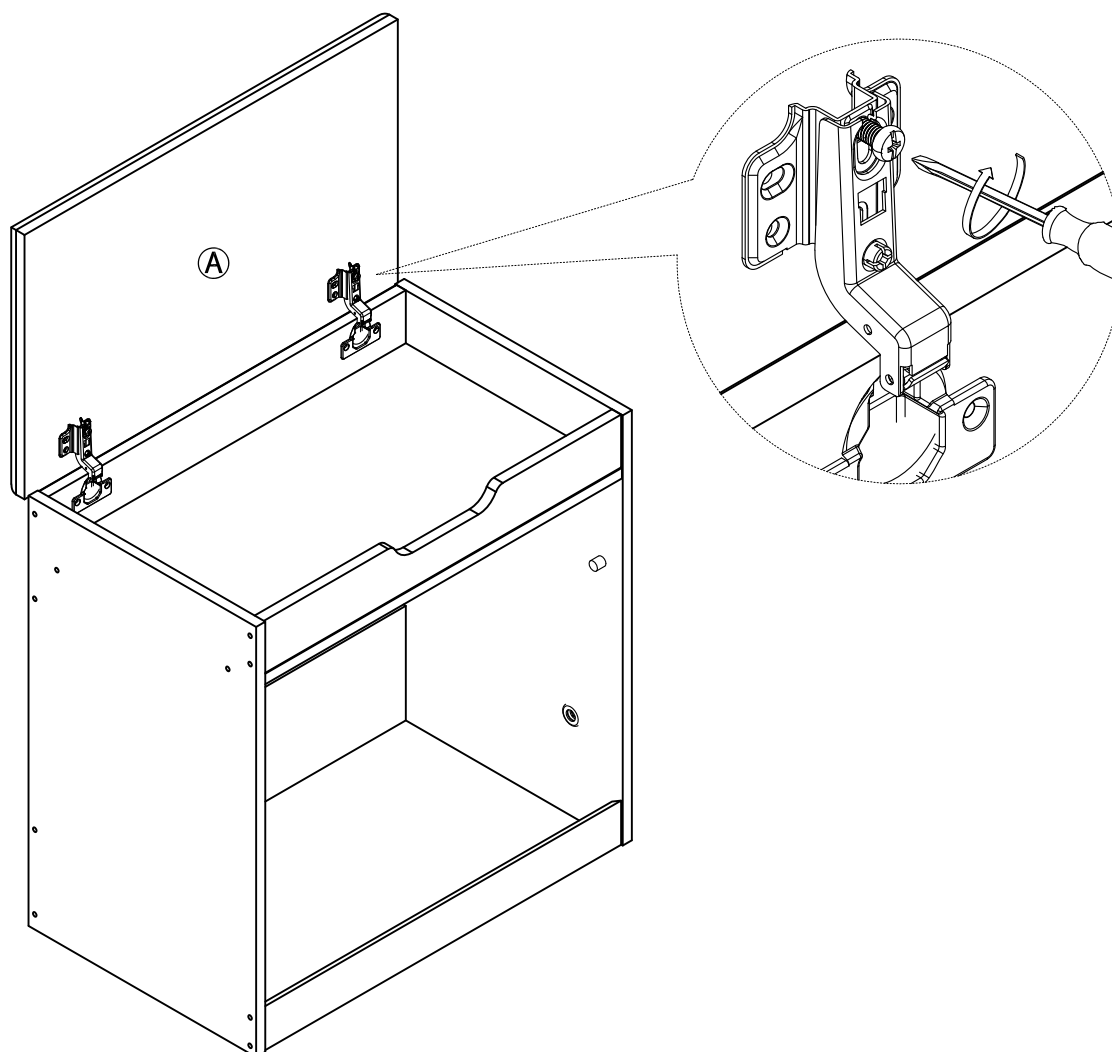
- LATERAL ADJUSTMENT BY SCREW ADJUSTMENT



- FRONT-TO-BACK BY SLACKENING THE HINGE-ARM MOUNTING SCREW

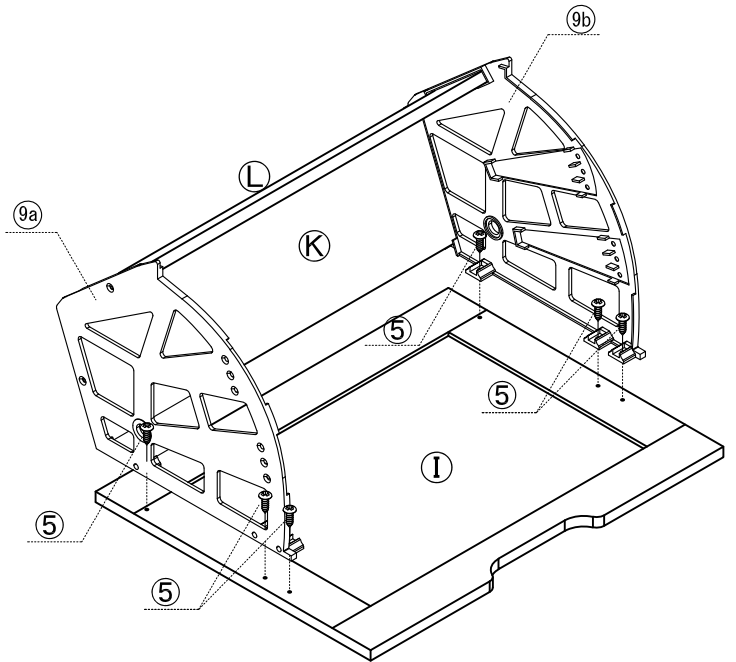
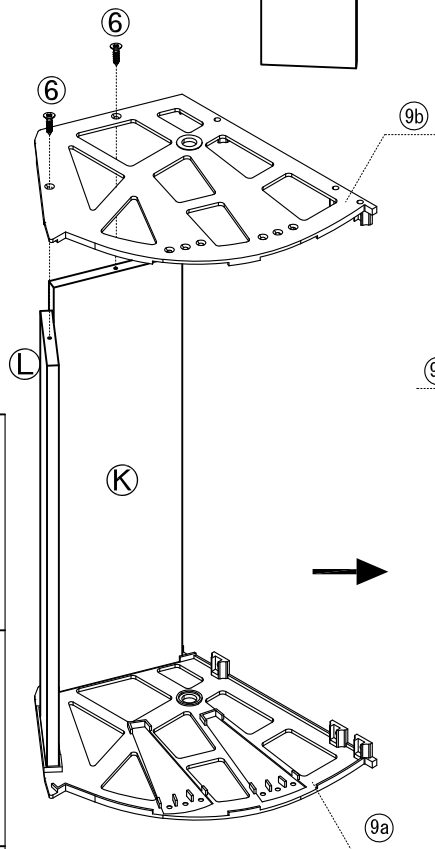
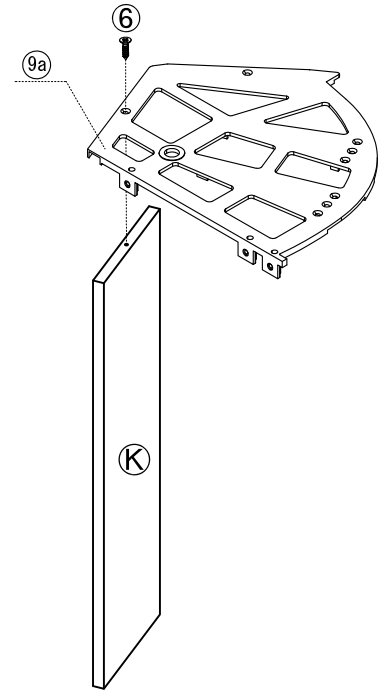
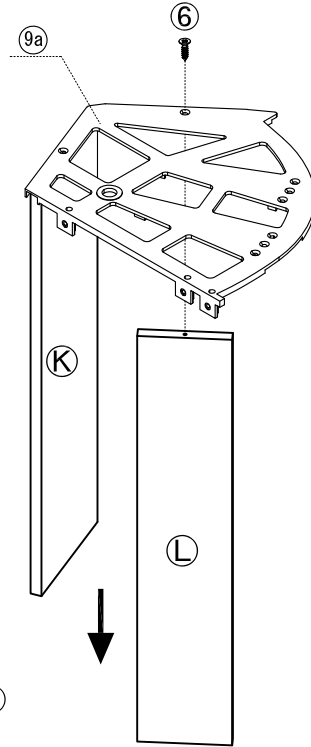
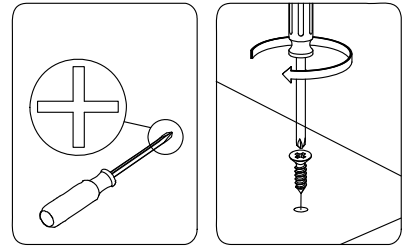


- VERTICAL ADJUSTMENT VIA MOUNTING PLATE (VIA SLOTS OR, IF IN TWO PIECES, BY SCREWS)



Assembly Step

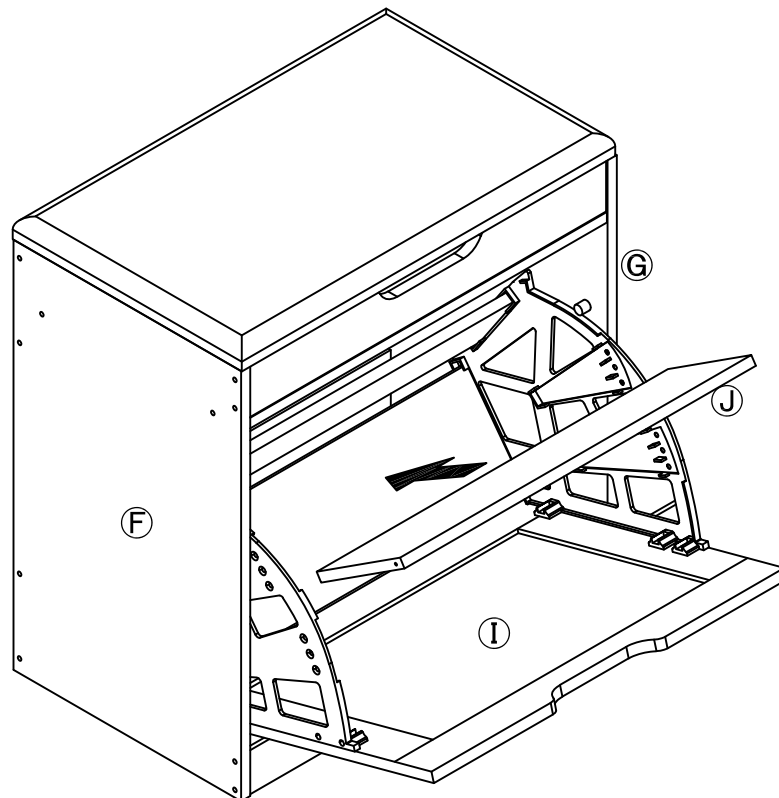
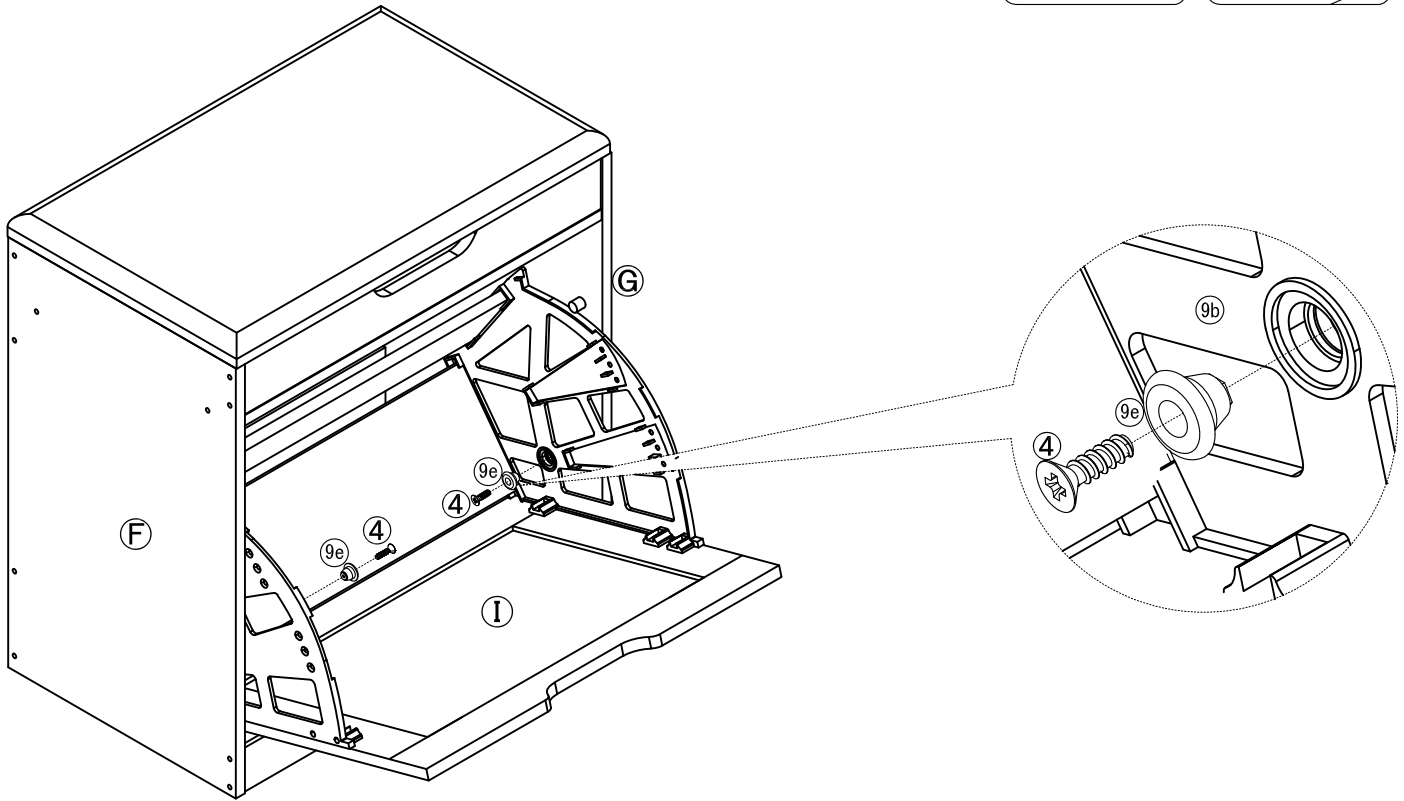
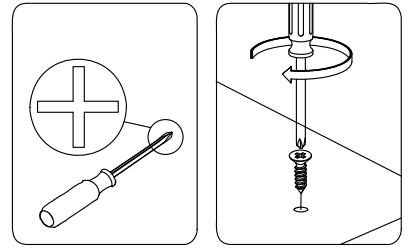
Step 10





| | |
|--|--------|
| | ⑨b x 1 |
| | ⑨a x 1 |
| | ⑤ x 6 |
| | ⑥ x 4 |

Assembly Step

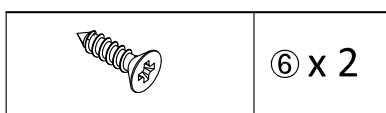
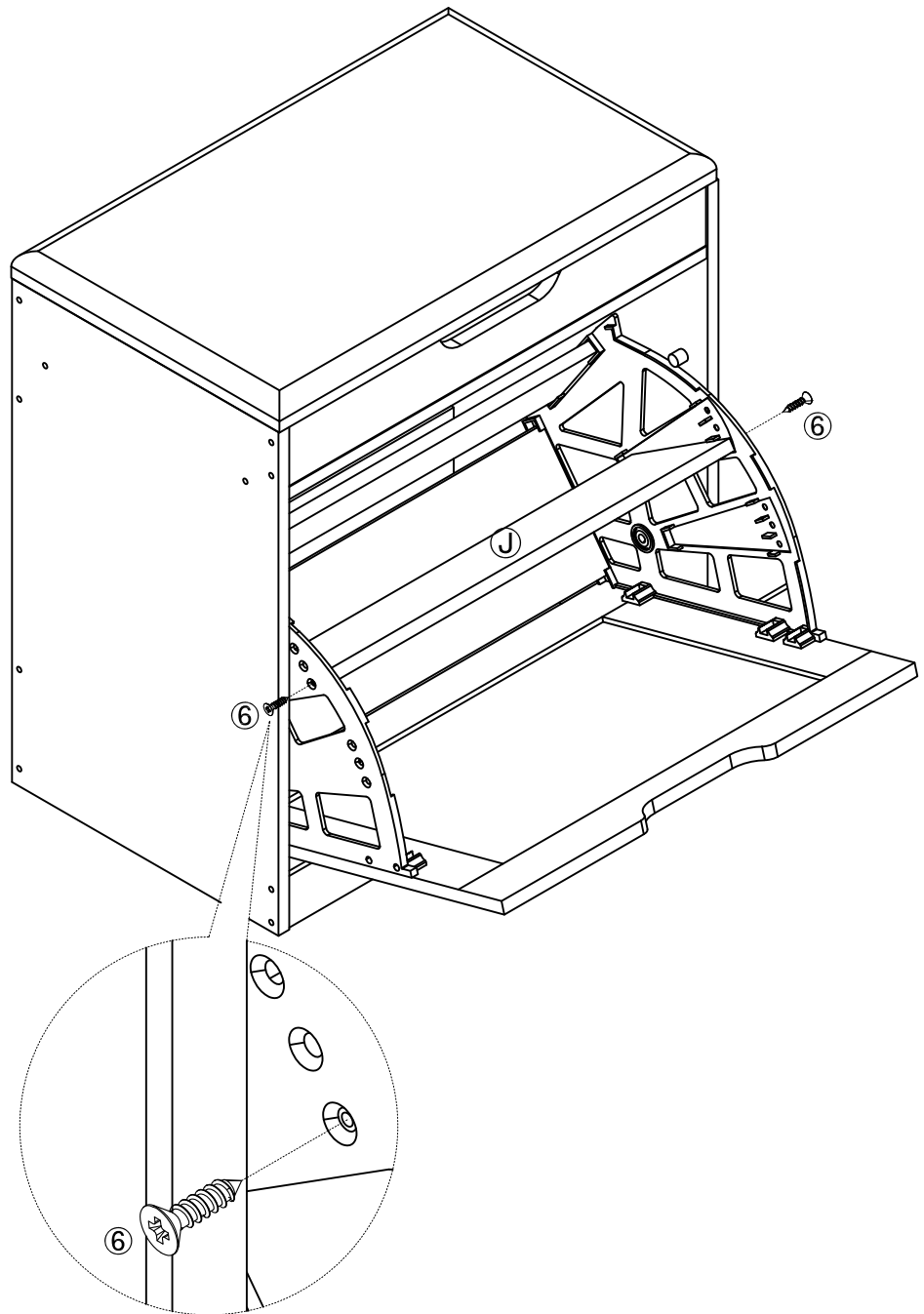
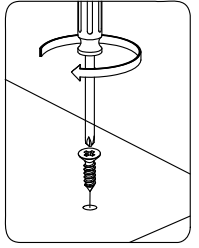
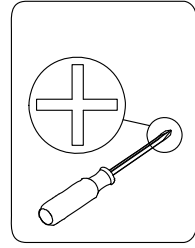
Step 11



| | |
|---|--------|
|  | 9e x 2 |
|  | 4 x 2 |

Assembly Step

Step 12



Assembly Step

Step 13

