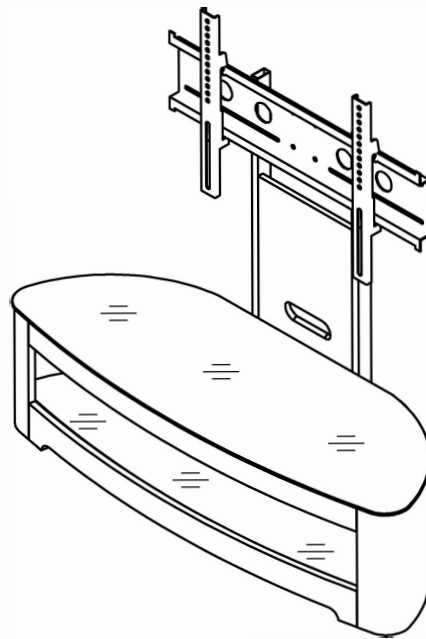


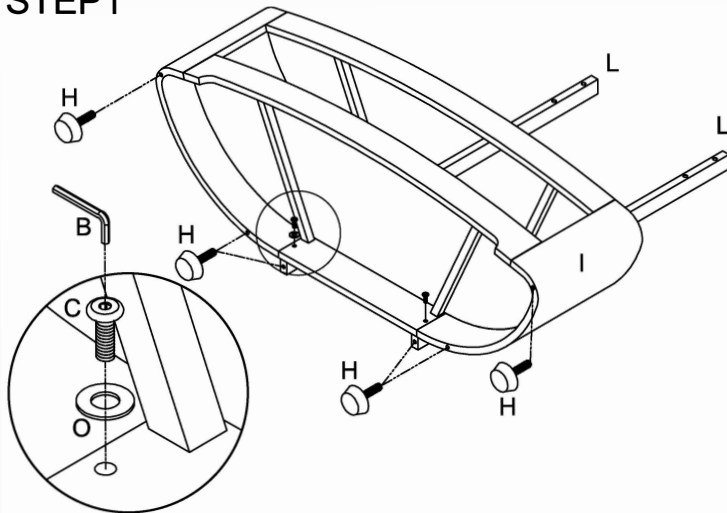
# ASSEMBLY INSTRUCTION

A		M4	1PC
B		M5	1PC
C		5/16"*35mmL	4PCS
D		5/16"*15mmL	4PCS
E		Sucker	11PCS
F		"L" Bracket	6PCS
G		1/4"*12mmL	12PCS
H		1/4"*15mmL	6PCS
I		Base unit	1PC
J		Rear panel	1PC
K		Top glass	1PC
L		Back metal frame	2PCS
M		Bracket	1PC
N		Hanging bar	2PCS

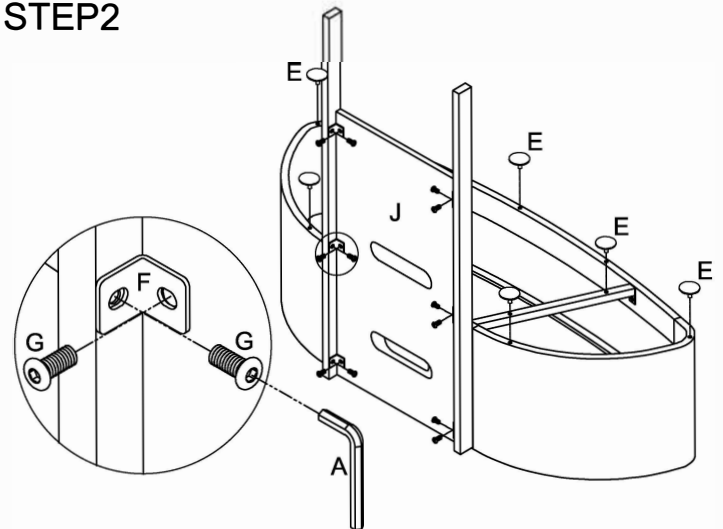


O		Ø19*Ø5/16"*1.5	4PCS
---	--	----------------	------

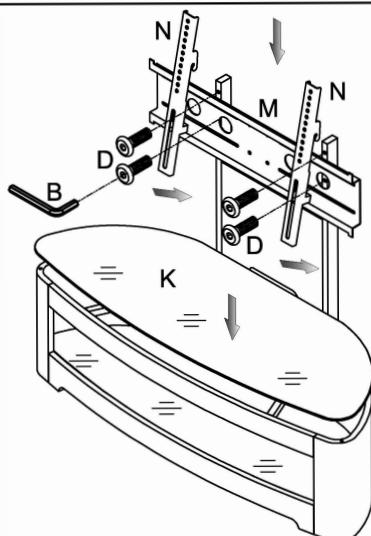
## STEP1



## STEP2



## STEP3



## STEP4

