












# Assembly Instructions

**Caution : You must read this before you proceed**

## Care & Maintenance

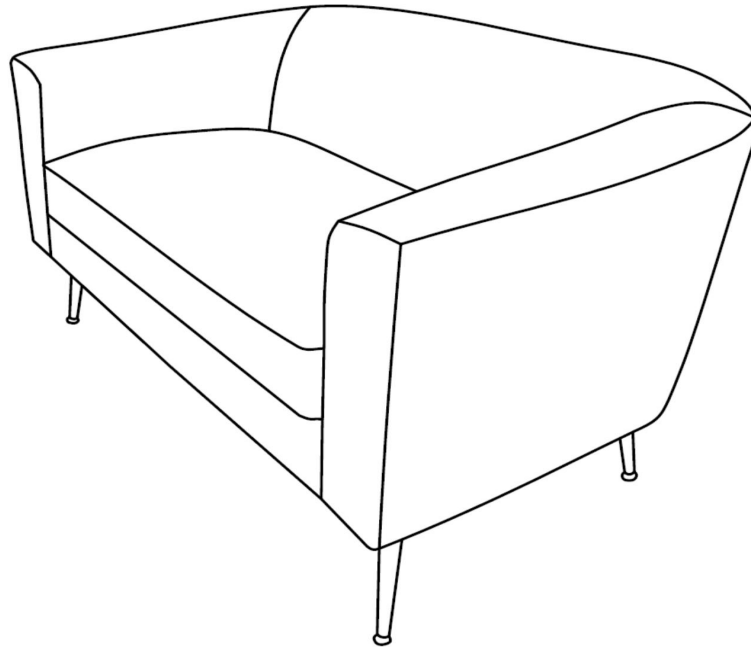
- ⊘  ● Not for commercial use. For residential use only.
  - ✓  ● Furniture may scratch floors. We recommend using furniture pads to protect your floors.
  - ⊘  ● Do not put hot items directly on furniture surface.
  - ⊘  ● Do not clean furniture with harsh cleansers or polish.
  - ⊘  ● Do not place furniture under direct sunlight.
  - ⊘  ● Do not place furniture near heating or cooling vents.
  - ⊘  ● Do not write on furniture without a padded barrier to protect the surface.
  - ⊘  ● Do not place furniture outside . For indoor use only.
  - ⊘  ● Stains may be removed with mild soap solution and damp cloth.
  - ⊘  ● Children should not climb or jump on the furniture.
- ✓  ● Dust and pick-up spills using a clean, non-colored, lint-free cloth.

Please look in the storage for hardware packs and legs.  
Sets often ship in multiple boxes and may arrive a day or two apart.

# Assembly Instructions

Caution : You must read this before you proceed




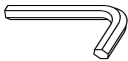
## Loveseat



### Parts List

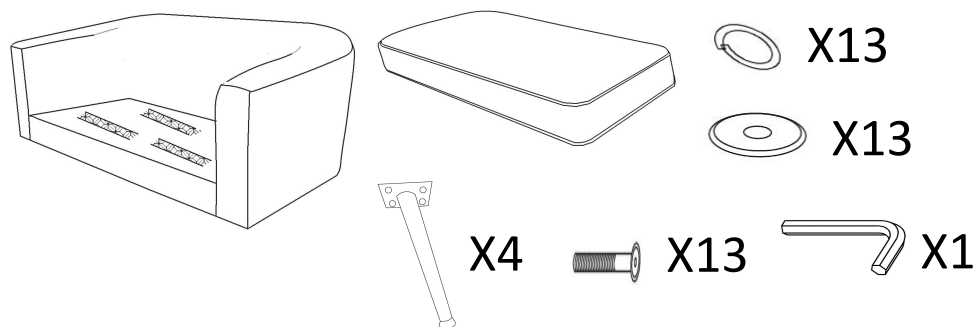
Label	Picture	Description	QTY
A	A line drawing of a rectangular seat cushion with rounded corners and a slightly raised edge.	Seat Cushion	1
B	A line drawing of a metal leg. It consists of a rectangular mounting plate with four holes and a single cylindrical leg extending downwards.	Metal Leg	4
C	A line drawing of the base of the love seat. It shows the frame with the seat and backrest sections, and the attachment points for the legs.	Base of Loveseat	1

## Hardwares List

Label	Picture	Description	QTY
①		Bolt (M8*25MM)	13
②		Spring Washer	13
③		Washer	13
④		Allen Key	1

## Assembly Preparation

Before Beginning Assembly:



- Read instructions, cover to cover-



- Have 2 adults on hand for assembly-



- Do not assemble on flooring or carpet-

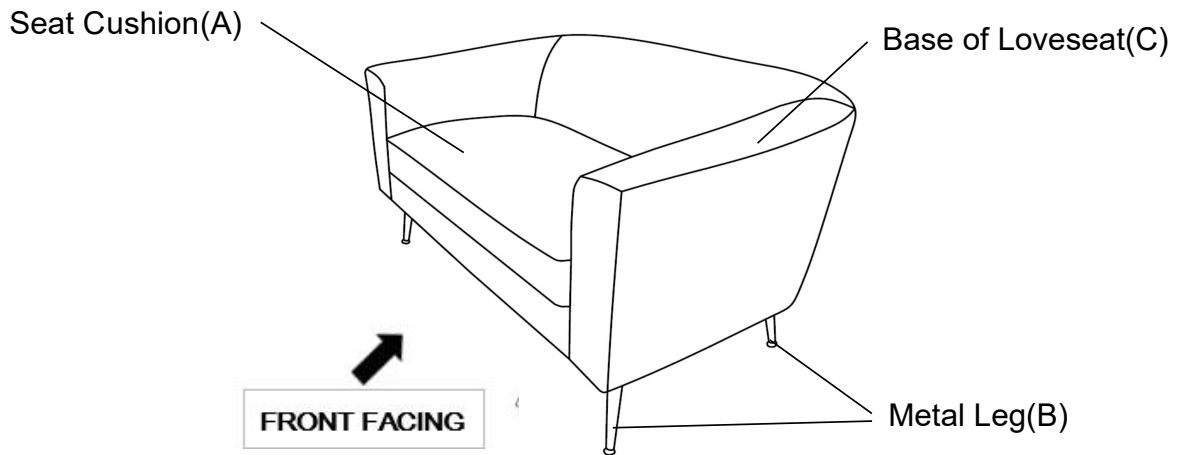


- Assemble on a clean non-marring surface (packing foam)-



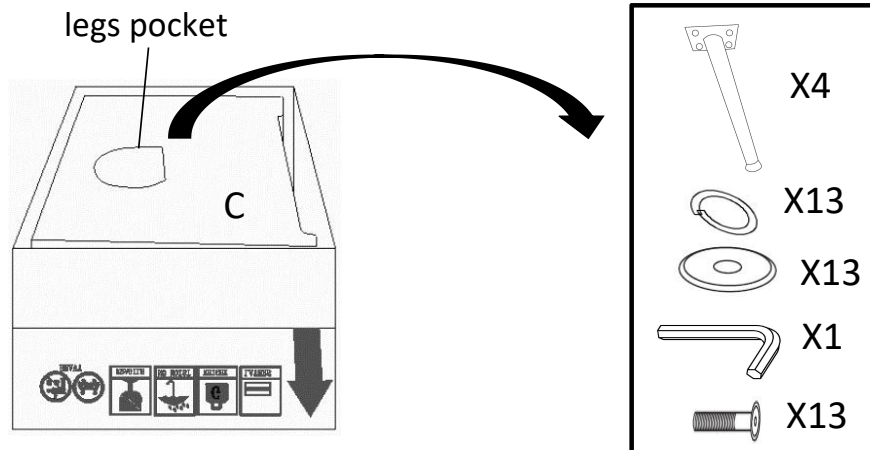
- Save all packaging until finished-

# Assembly Steps



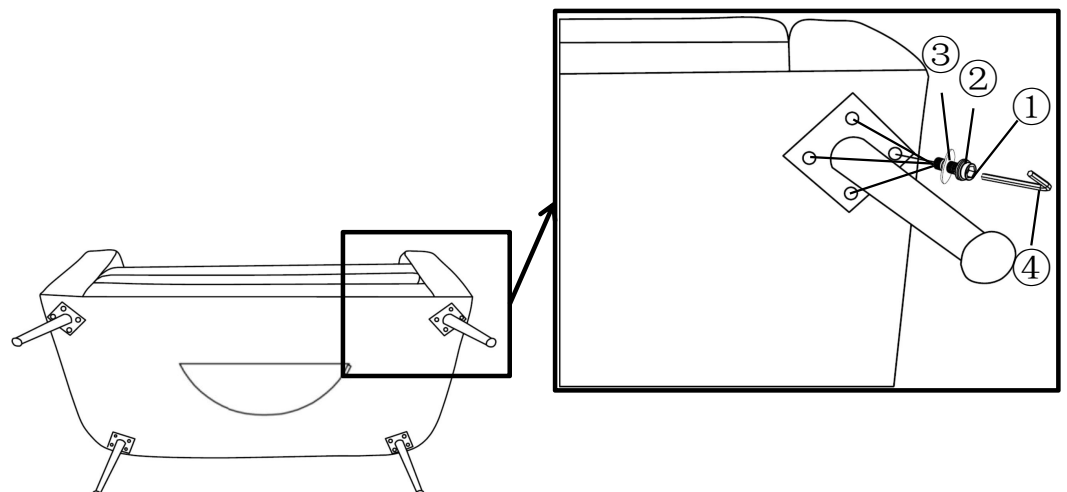
This product has multiple parts and may require up to some 30 minutes to assemble. To give you an overview of the product parts, the above picture is to help you put the various parts into perspective. Please read through the instructions below to familiarise yourself with the parts and steps before assembly.

## Step 1



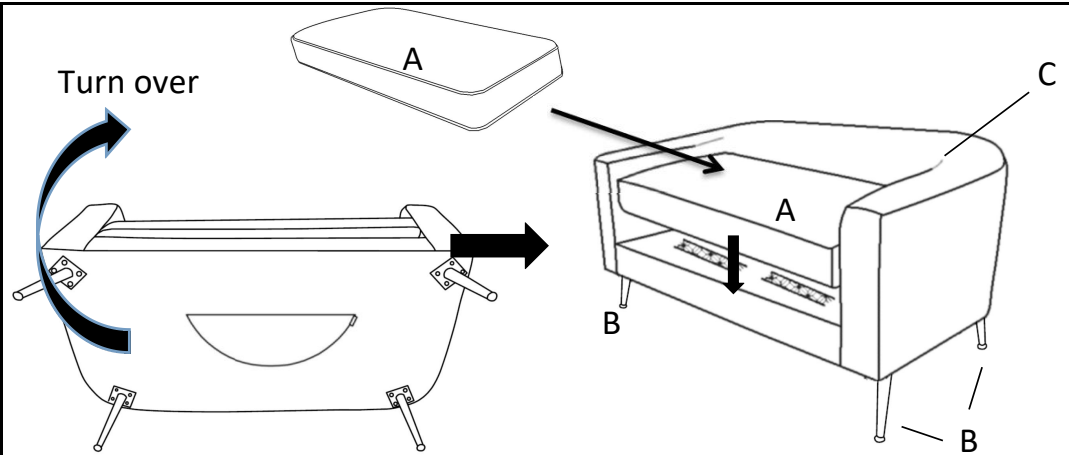
Take out the Metal Legs(B) and Bolts(①) and Spring Washer(②) and Washer(③) and Allen Key(④) from the legs pocket.

## Step 2



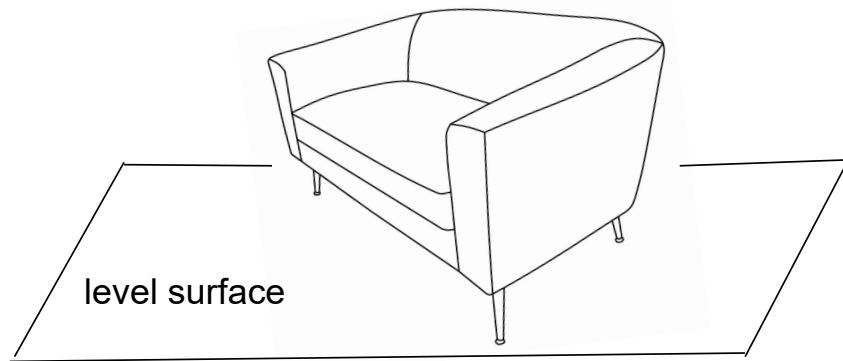
Assembly the Metal Leg(B) at the bottom of base of Loveseat (C) by Using Bolts(①) and Spring Washer(②) and Washer(③) and Allen Key(④) and Tighten.  
Repeat the same process to assembly the remaining three Legs.

### Step 3



- 3.1) With help of partner, turn the Loveseat back to normal position.
- 3.2) Place the Seat Cushion (A) onto the Loveseat.

### Step 4



Your Loveseat is ready for use.  
Caution: This Loveseat can only be used on a flat, level surface.