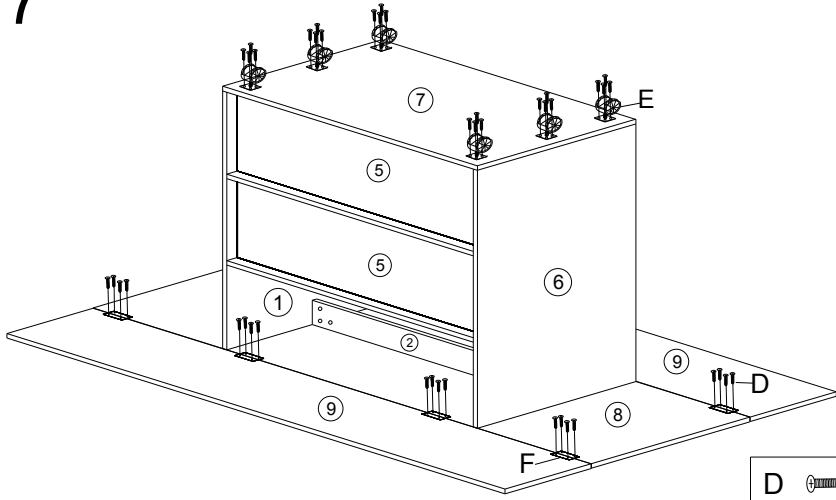
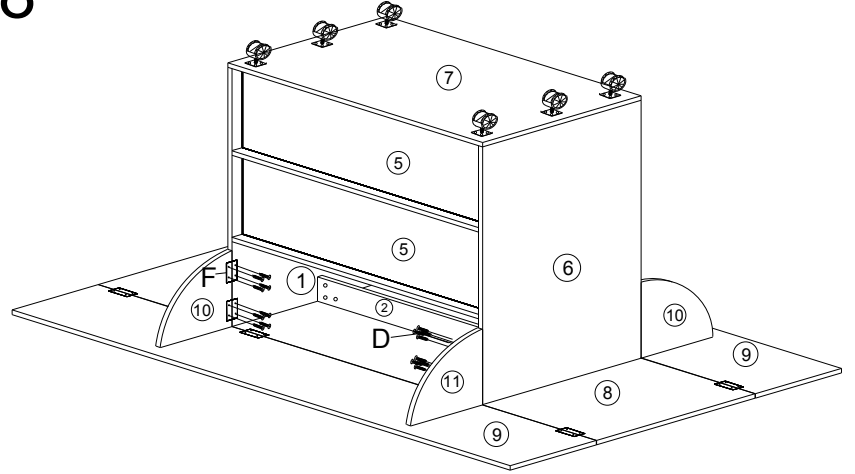


7



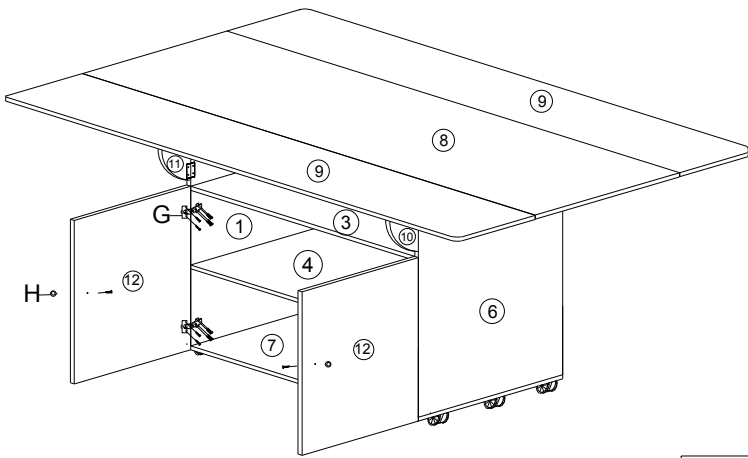
D		56pcs
E		6pcs
F		8pcs

8



D		32pcs
F		8pcs

9



G		4sets
H		2sets

10

